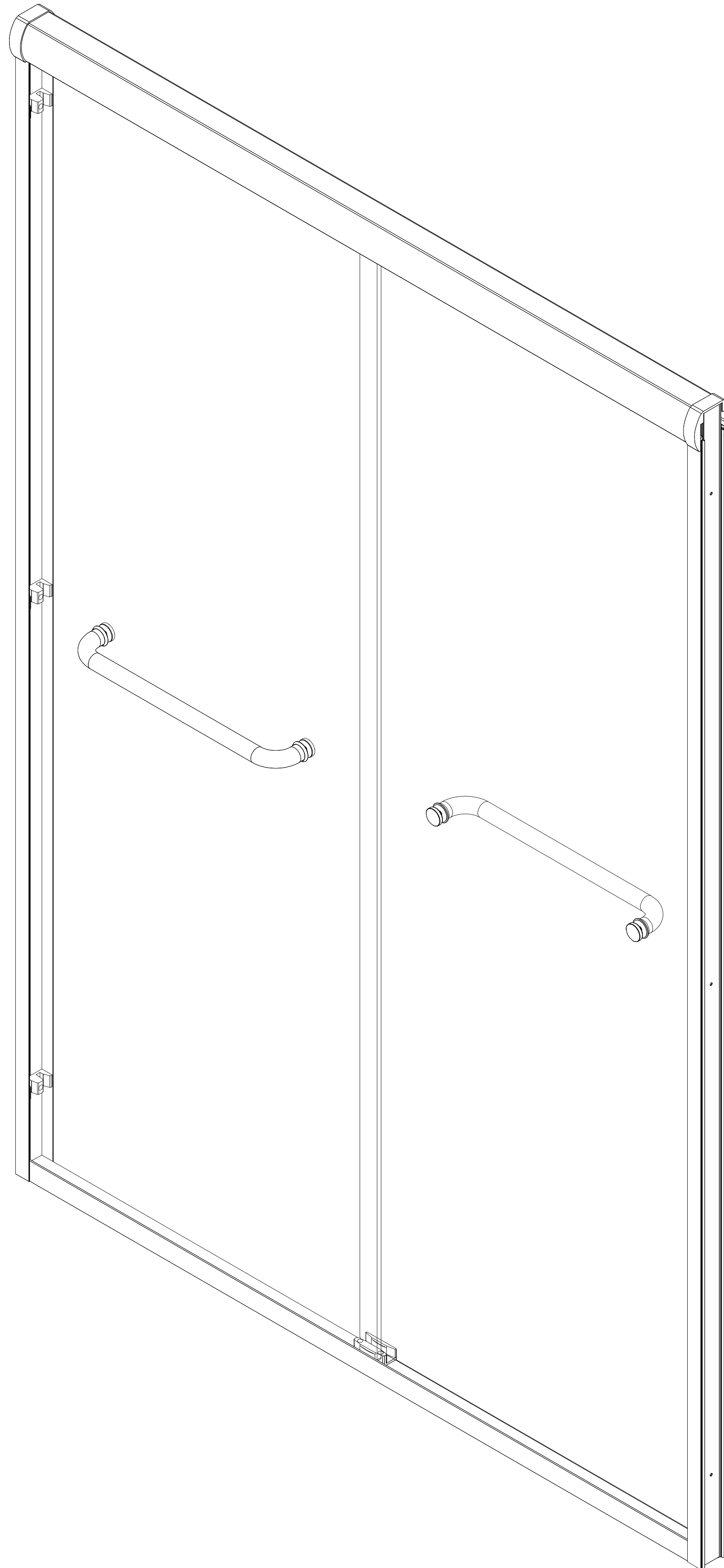


**FELYL**  
*shower door*

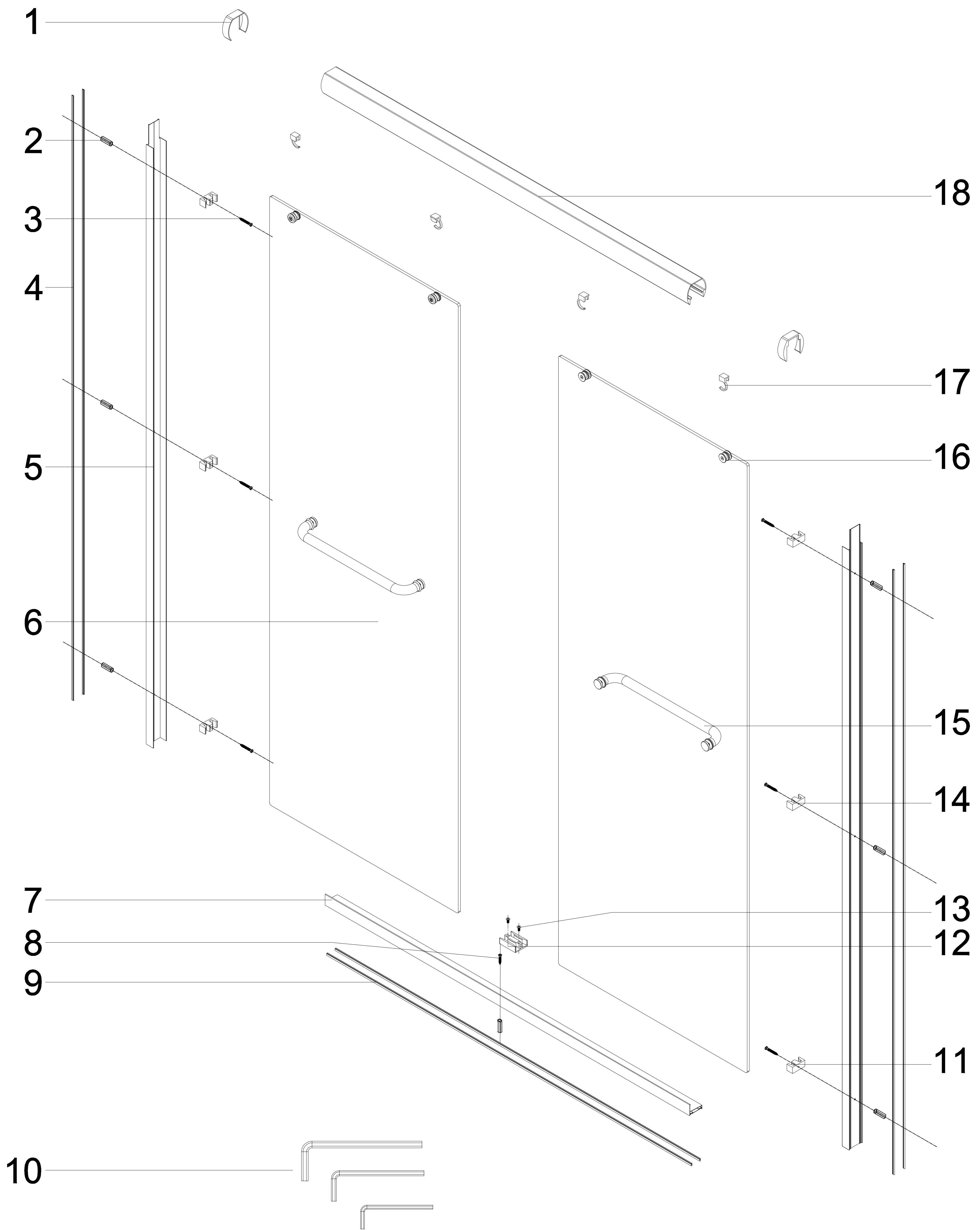
ACO2  
Shower Door Instruction Guide



---

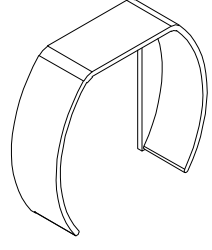
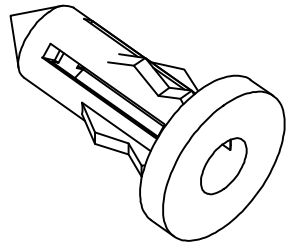
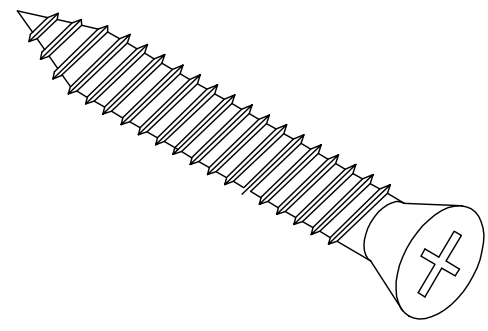
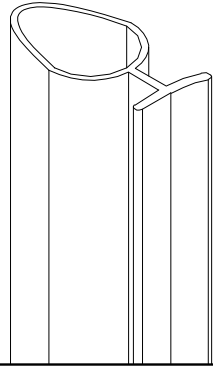
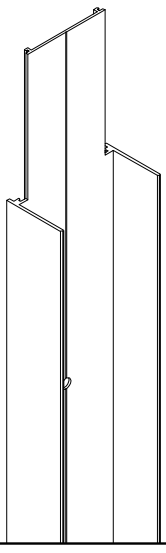
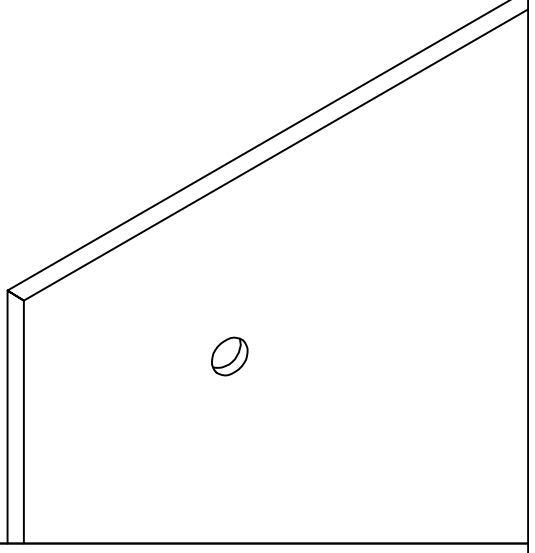
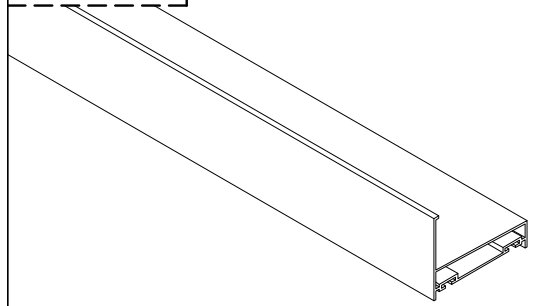

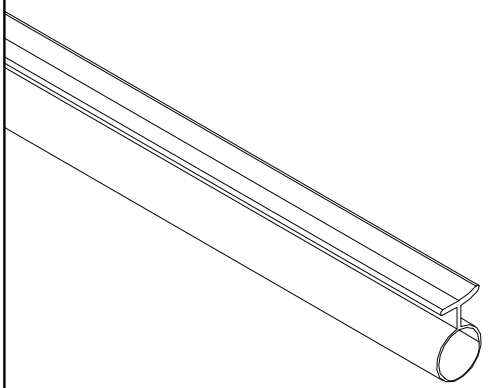
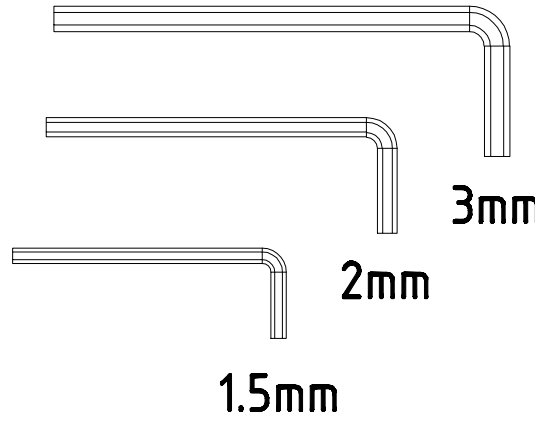
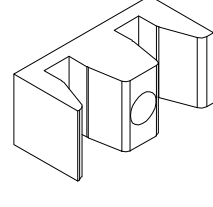
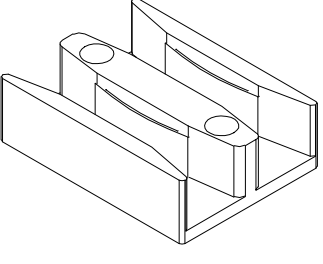
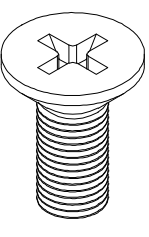
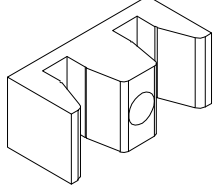
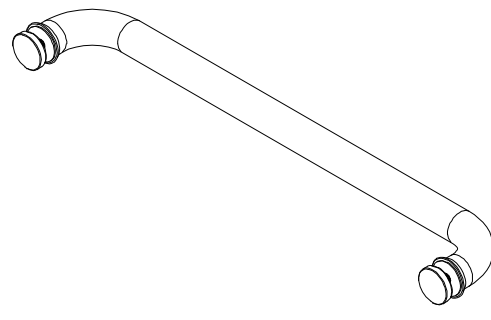
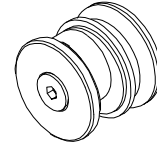
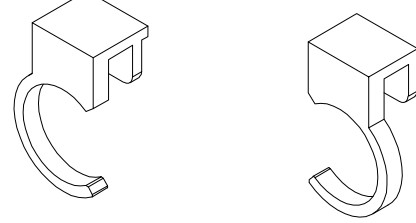
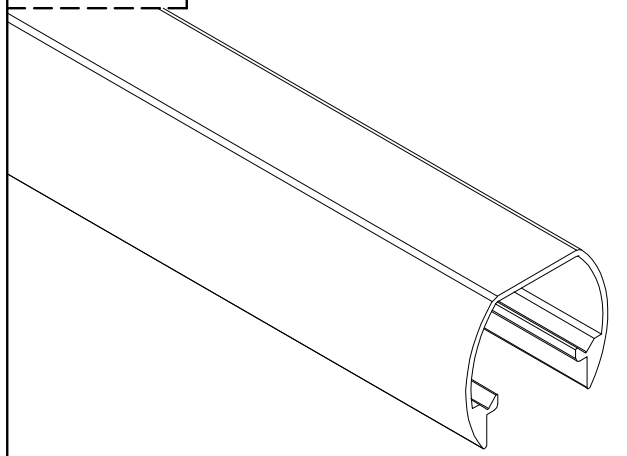
Customer Support: 1-877-897-1222  
After-sale service: [felyl@outlook.com](mailto:felyl@outlook.com)  
Hours of Operation: M-F 9 AM-5:00PM

# Detailed Diagram

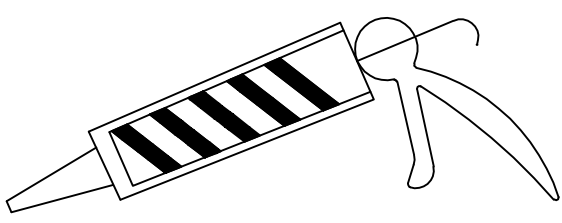
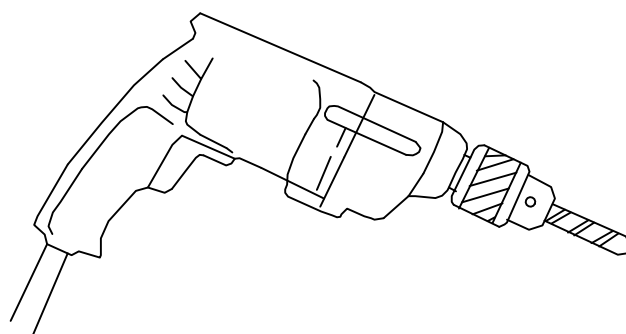
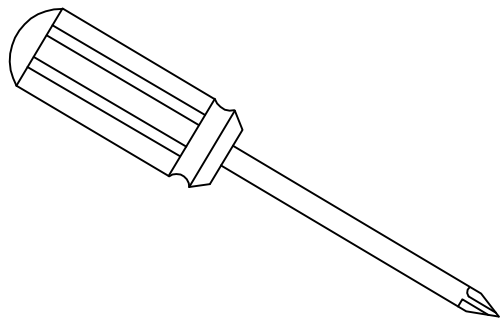
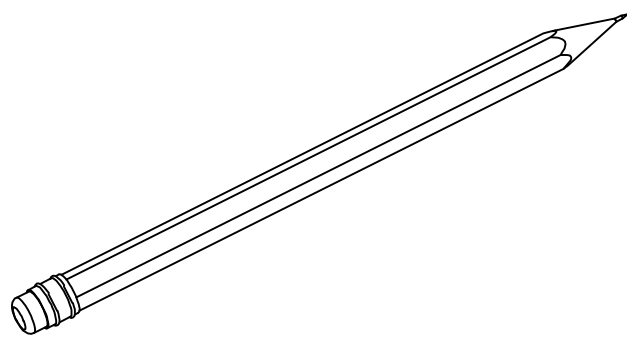
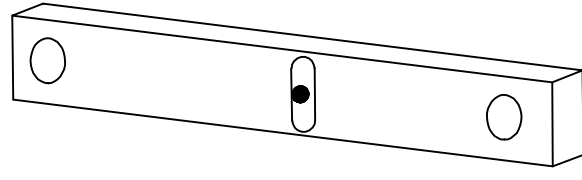
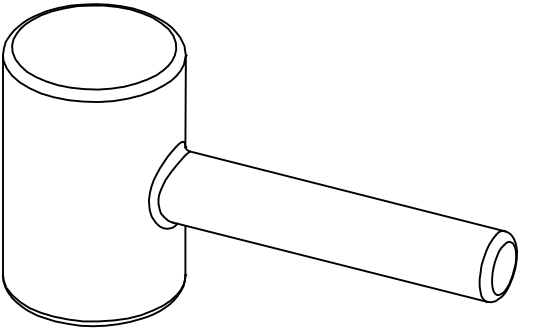
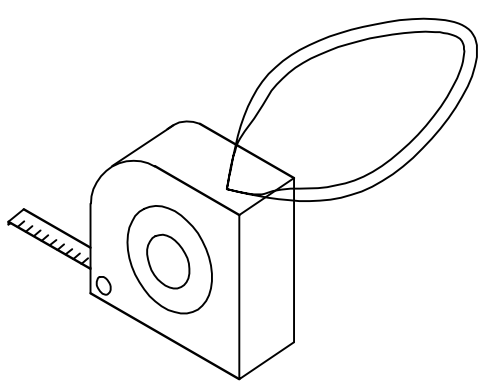
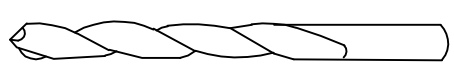
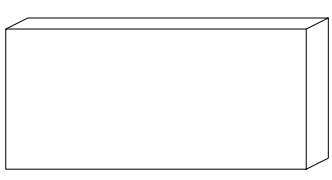
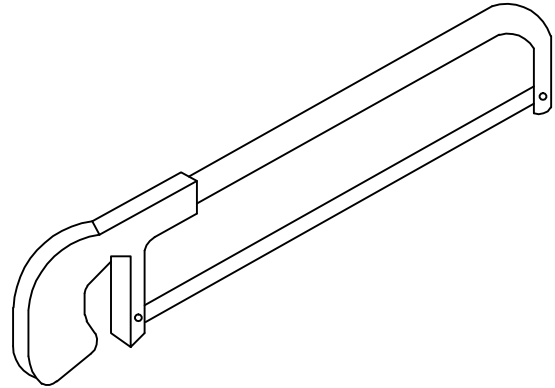




# PART LIST

Check all parts according to the list before assembly . Feel free to contact with us if you need assistance .

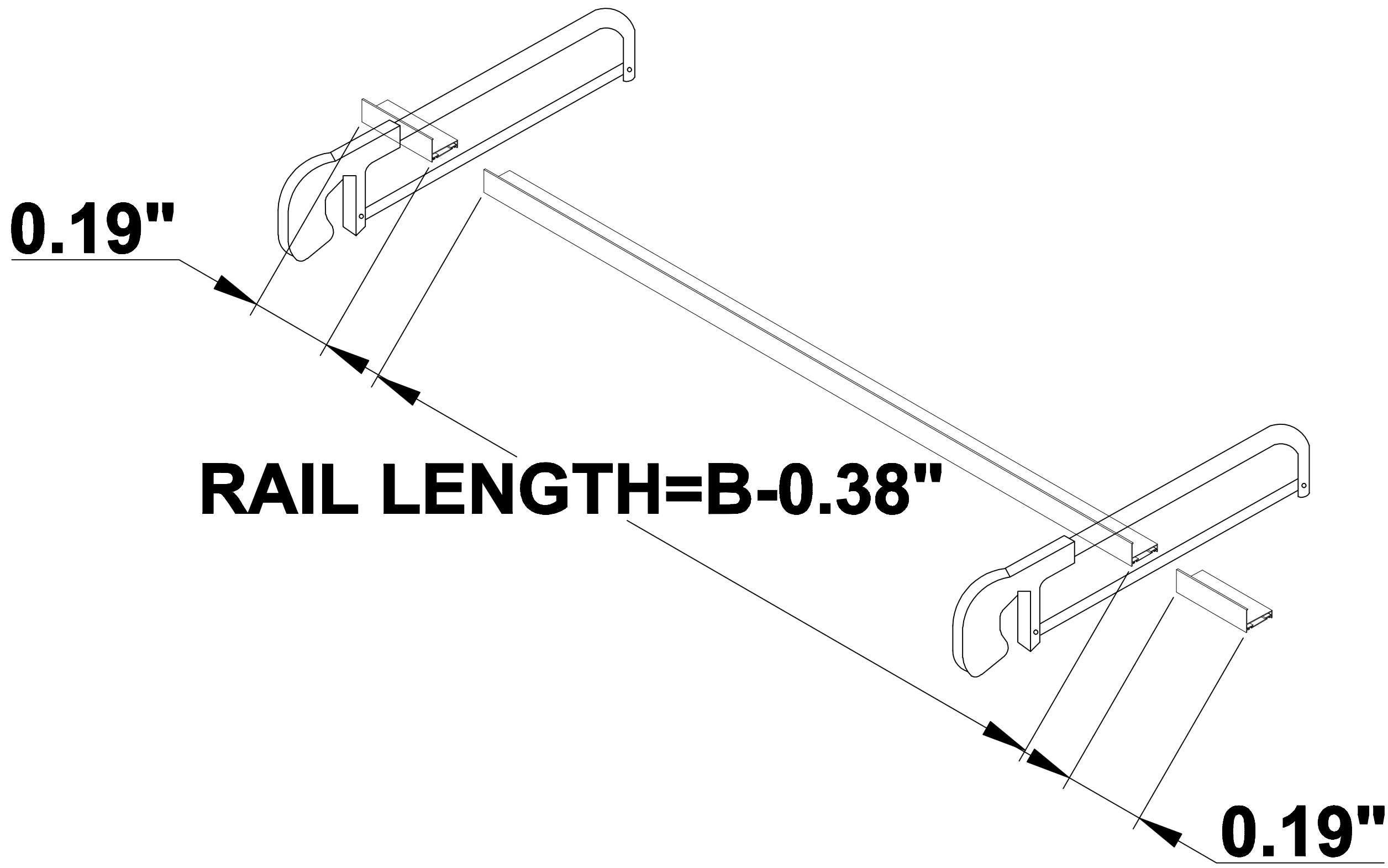
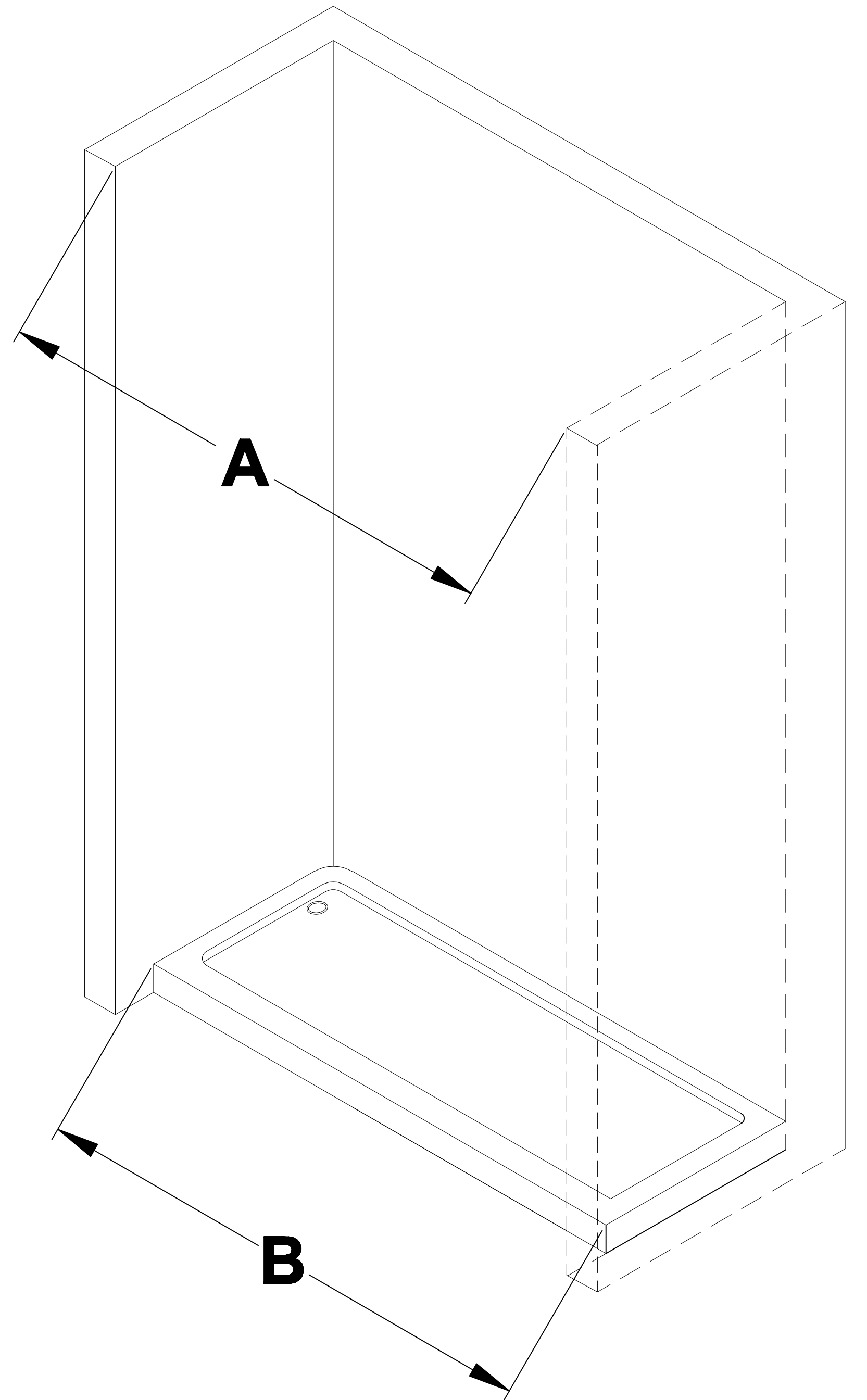
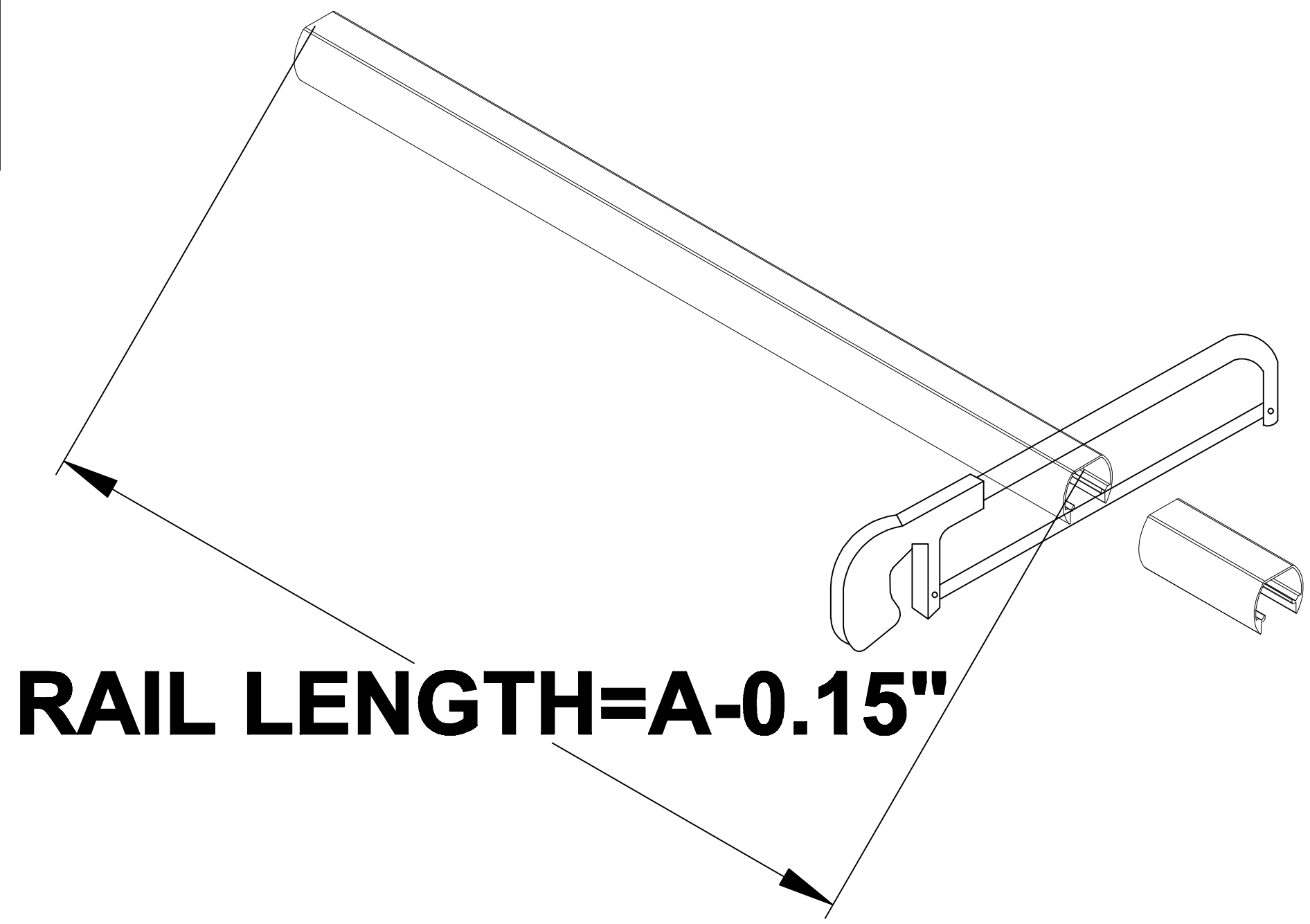
					
Top Track Cover(2 pcs)	Wall Anchor6*1"(7 pcs)	Self-Tapping Screws (4*40) (6 pcs)	O Shap Rubber(4 pcs)	Glass Profile(2 pcs)	Roller Door(2 pcs)
					
Bottom Running Track(1 pc)	Self-Tapping Screws (4*20) (1 pc)	O Shap Rubber(2 pcs)	Allen Wrenches(3 pcs)	Bumper Block(2 pcs)	Door Guide (1 pc)
					
Screws(4*10) (2 pcs)	Bumper Block(4 pcs)	Handle(2 pcs)	Roller (4 pcs)	(Left/Right)Anti-dropping Parts (4 pcs)	Top Running Track(1 pc)

## Recommended Tools

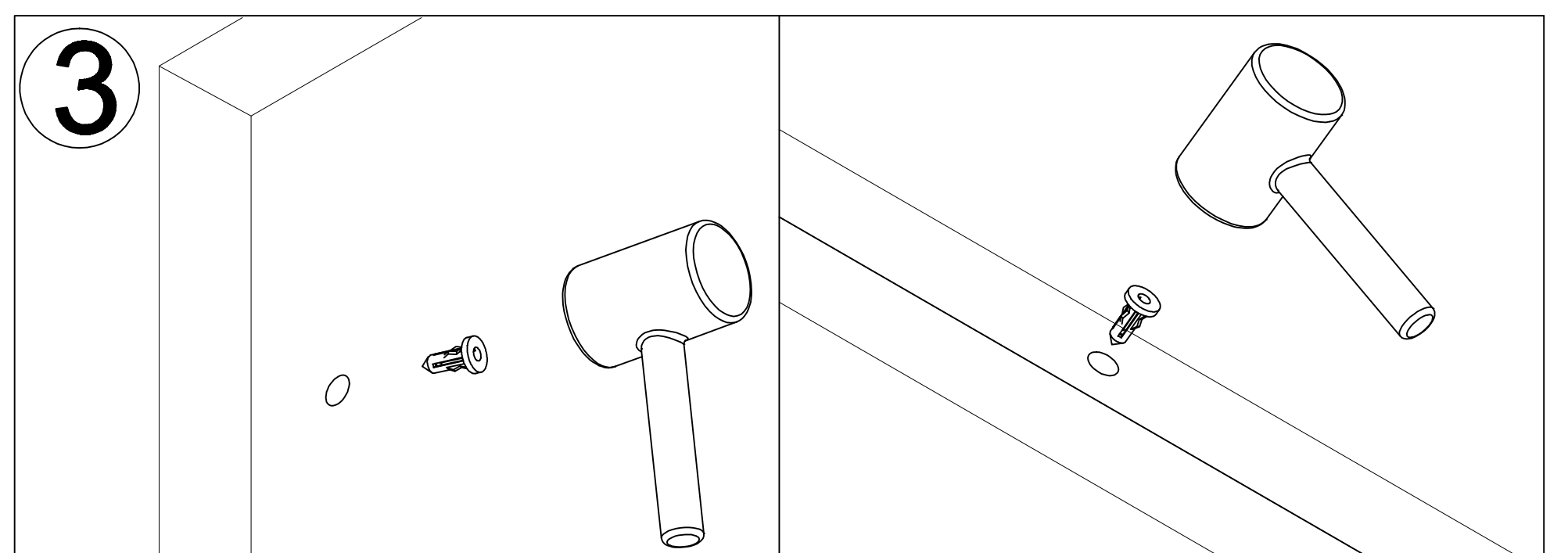
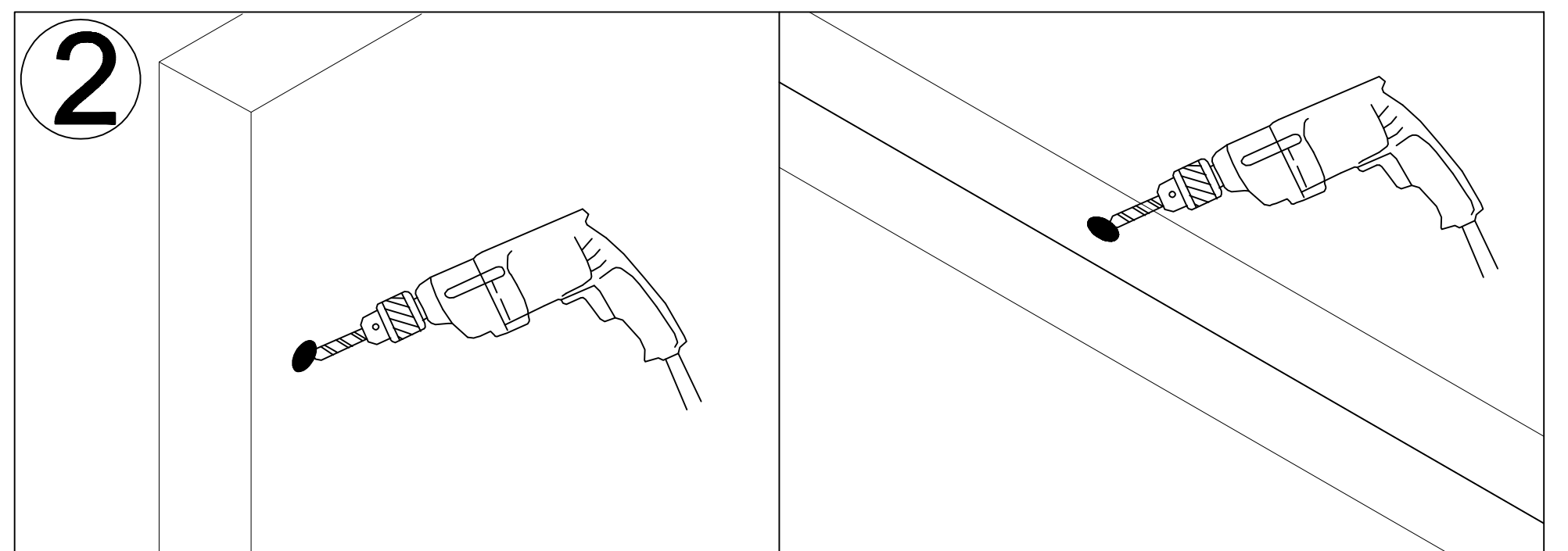
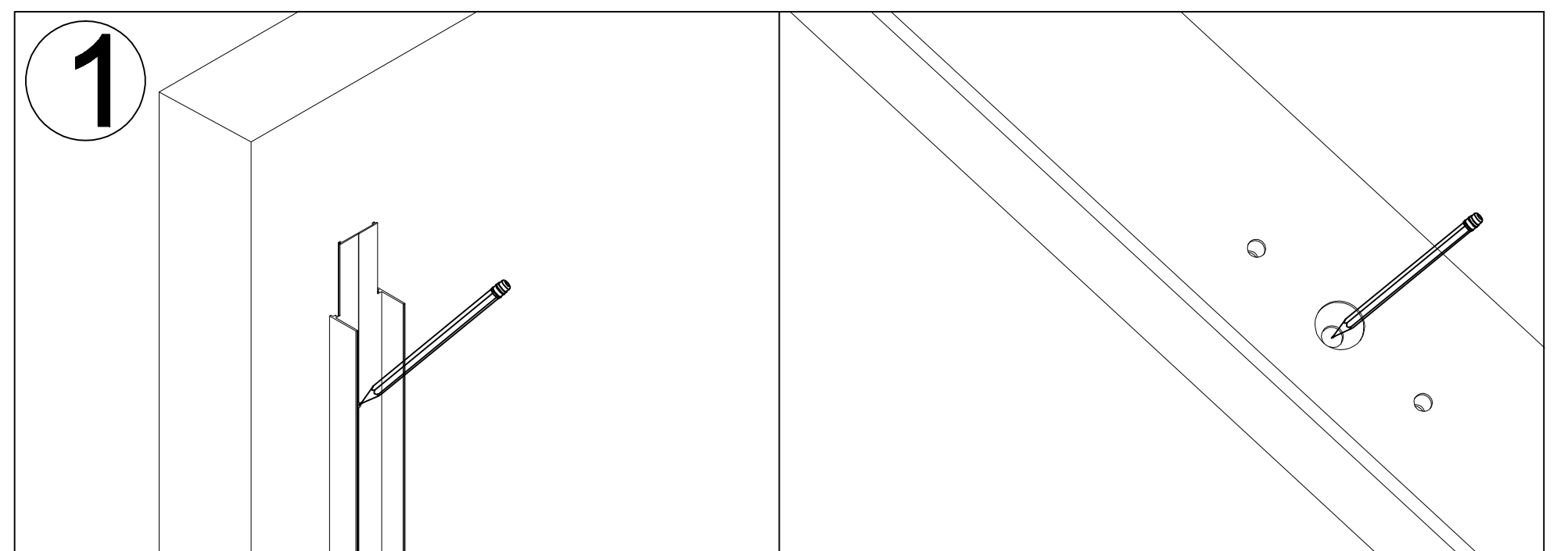
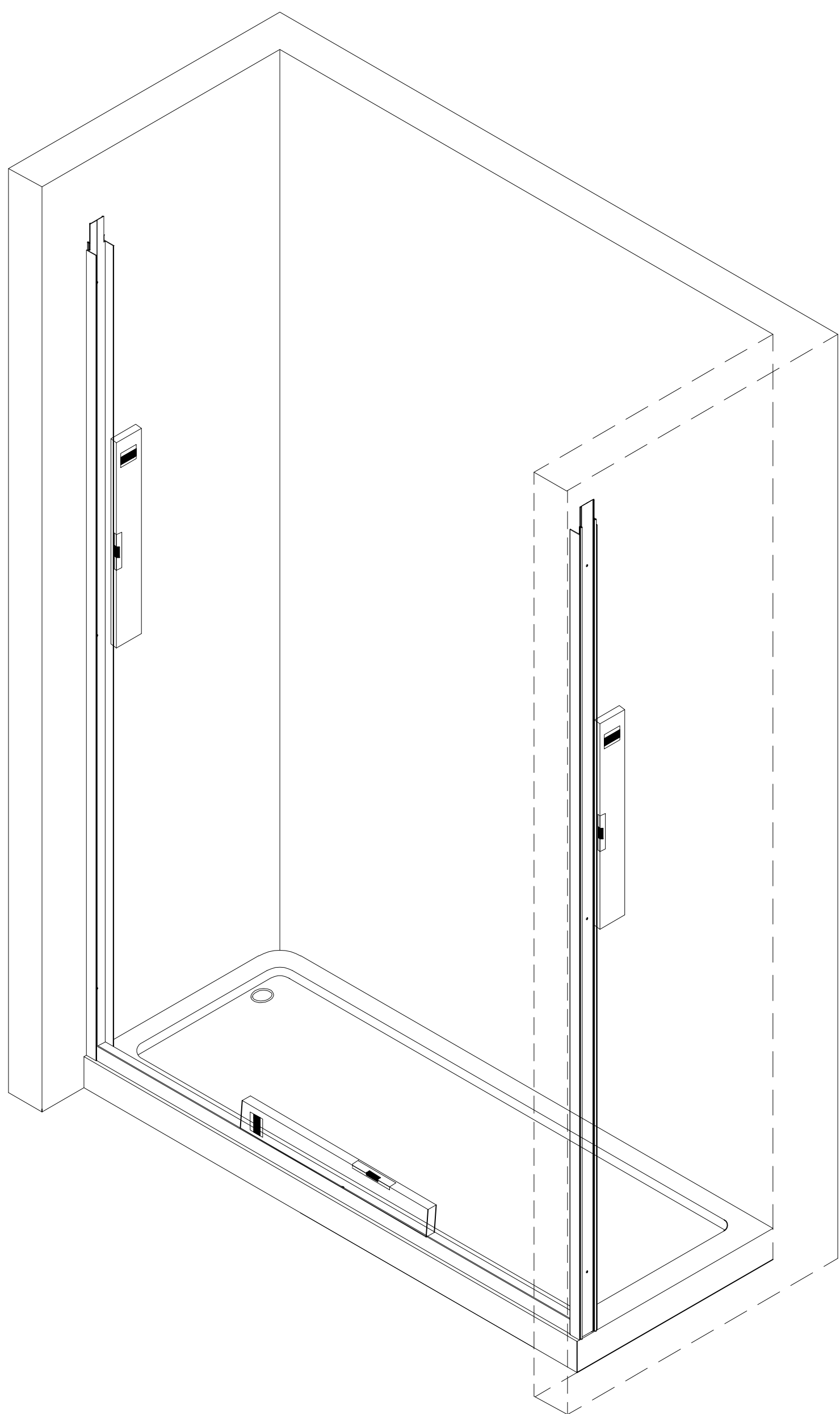
					
Silicone	Drill	Philips Screw Driver	Pencil	Level	Rubber Mallet
					
Tape Measure	Ø1/4"Drill Bit	Wooden Jam	Hacksaw	Safety Glass	Safety Gloves

**\*Utilize Safety Glasses and Safety Gloves when constructing this shower door\***

1

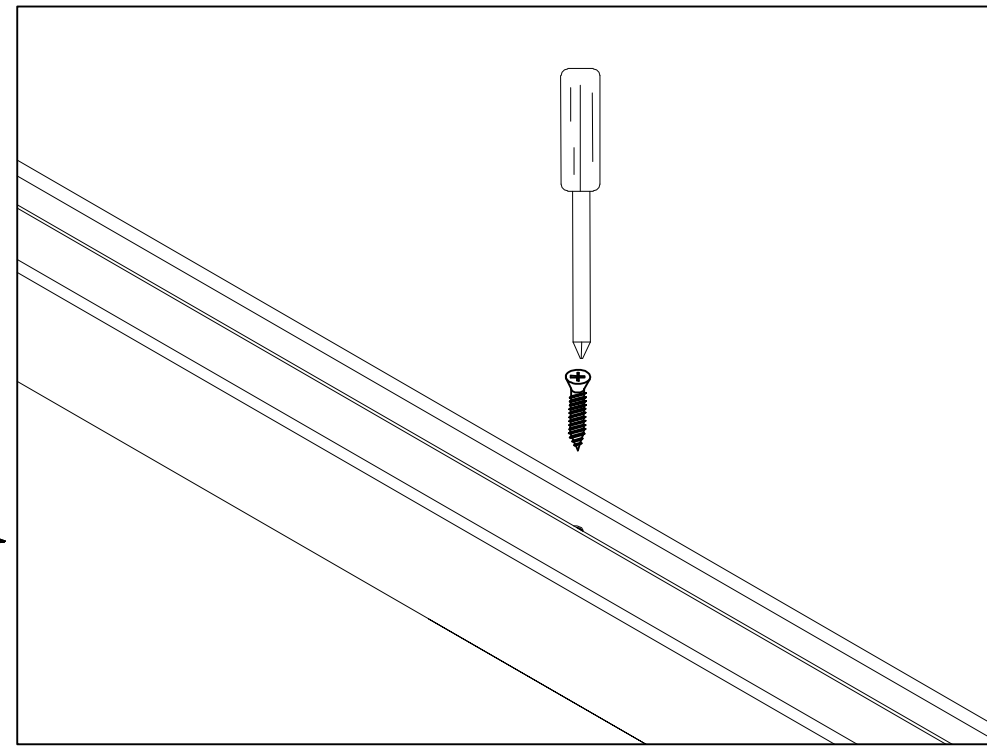
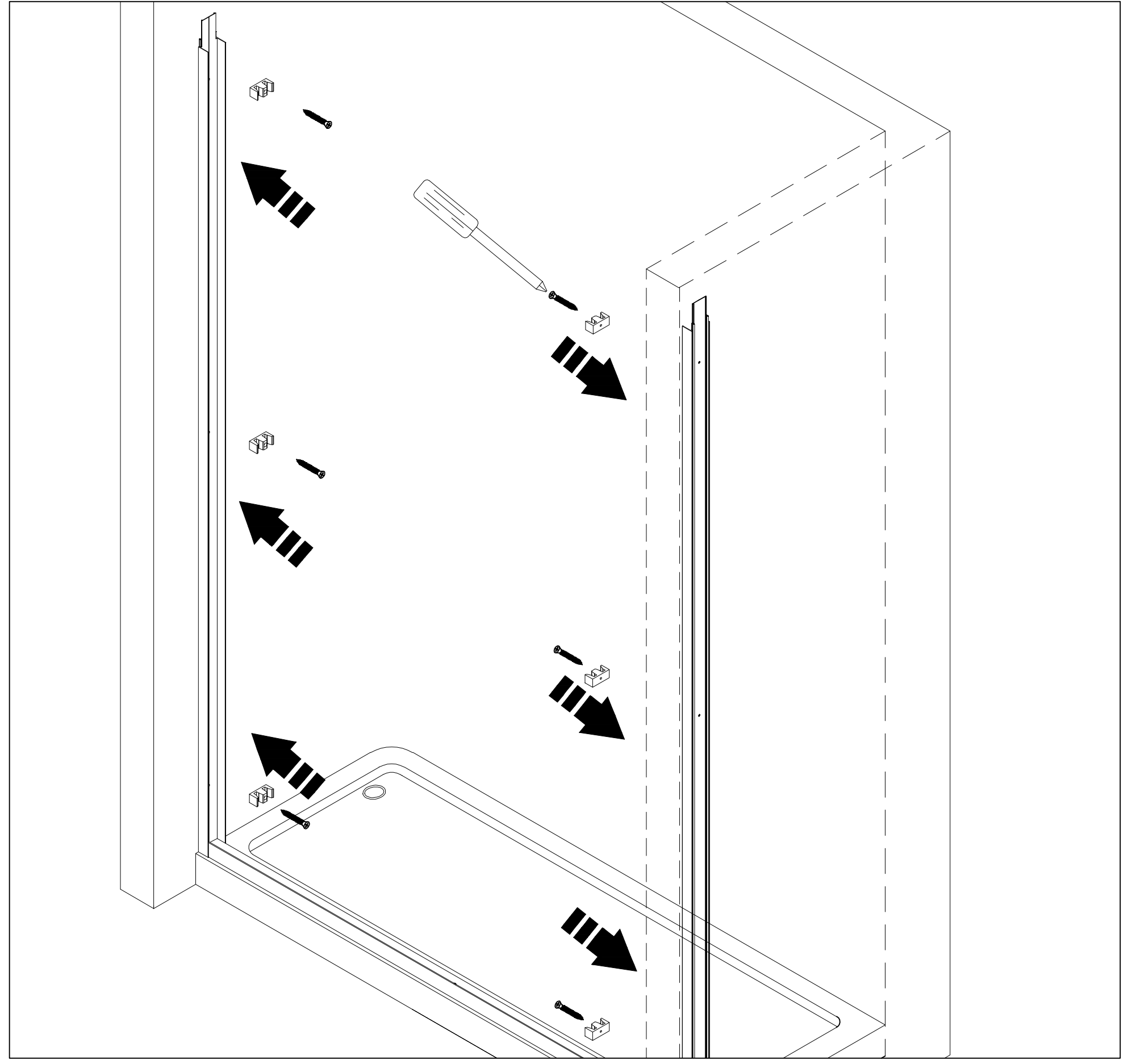
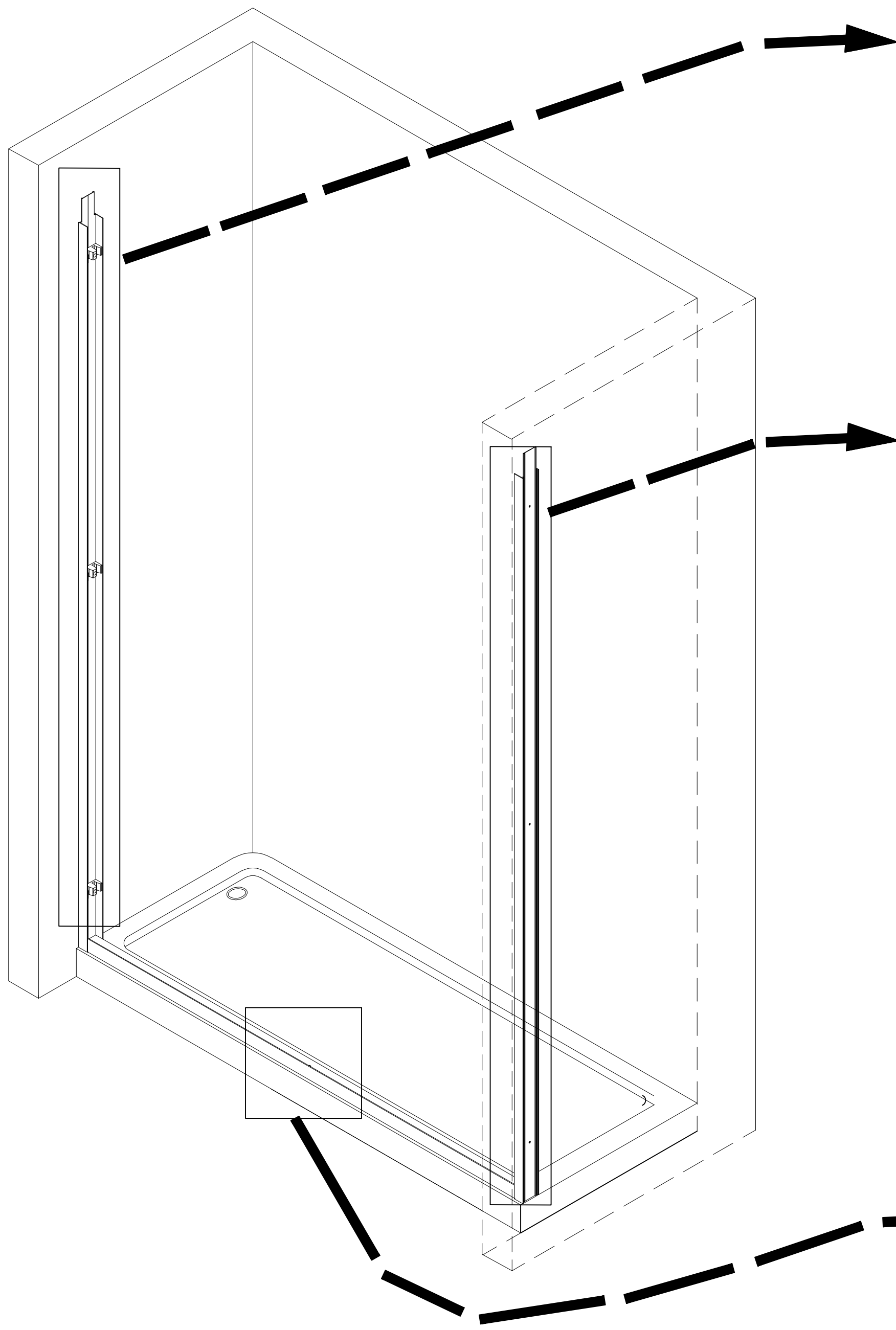


2

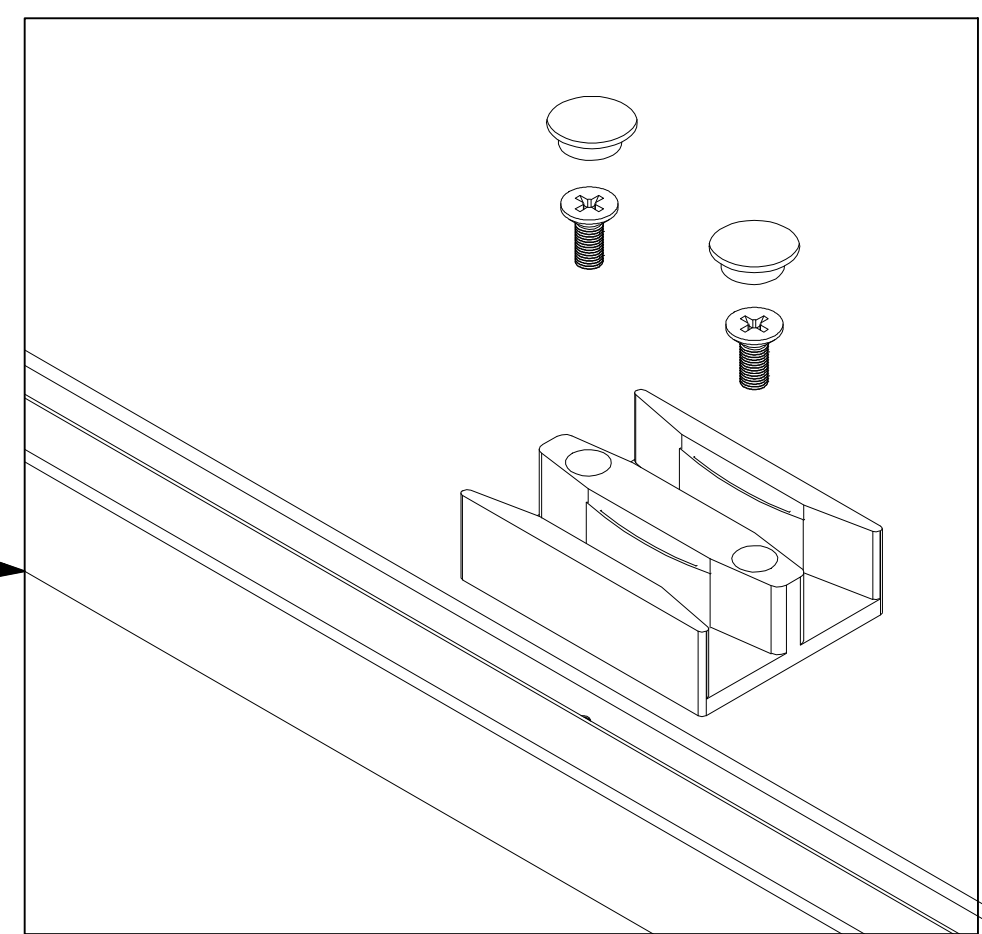
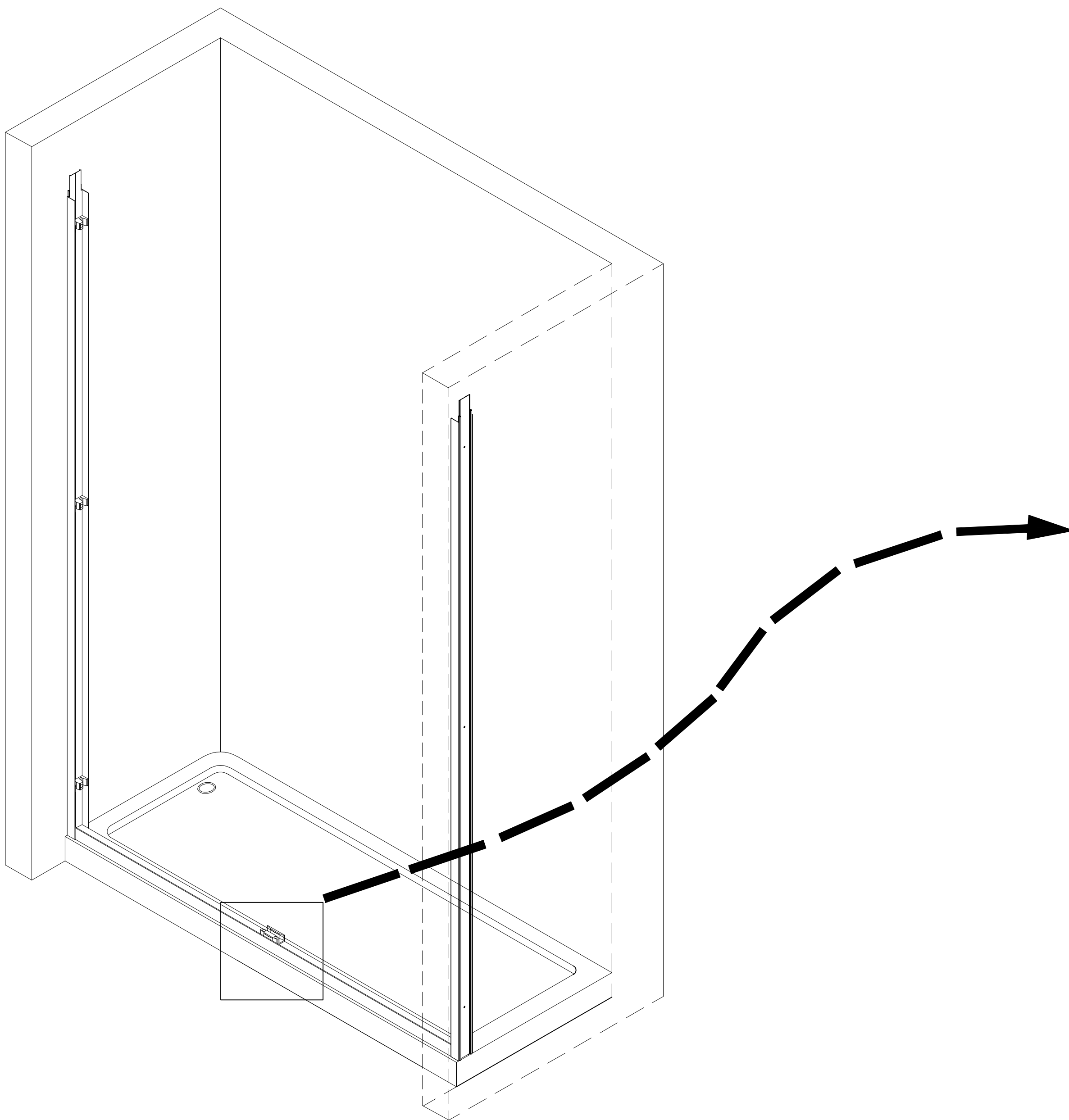


3

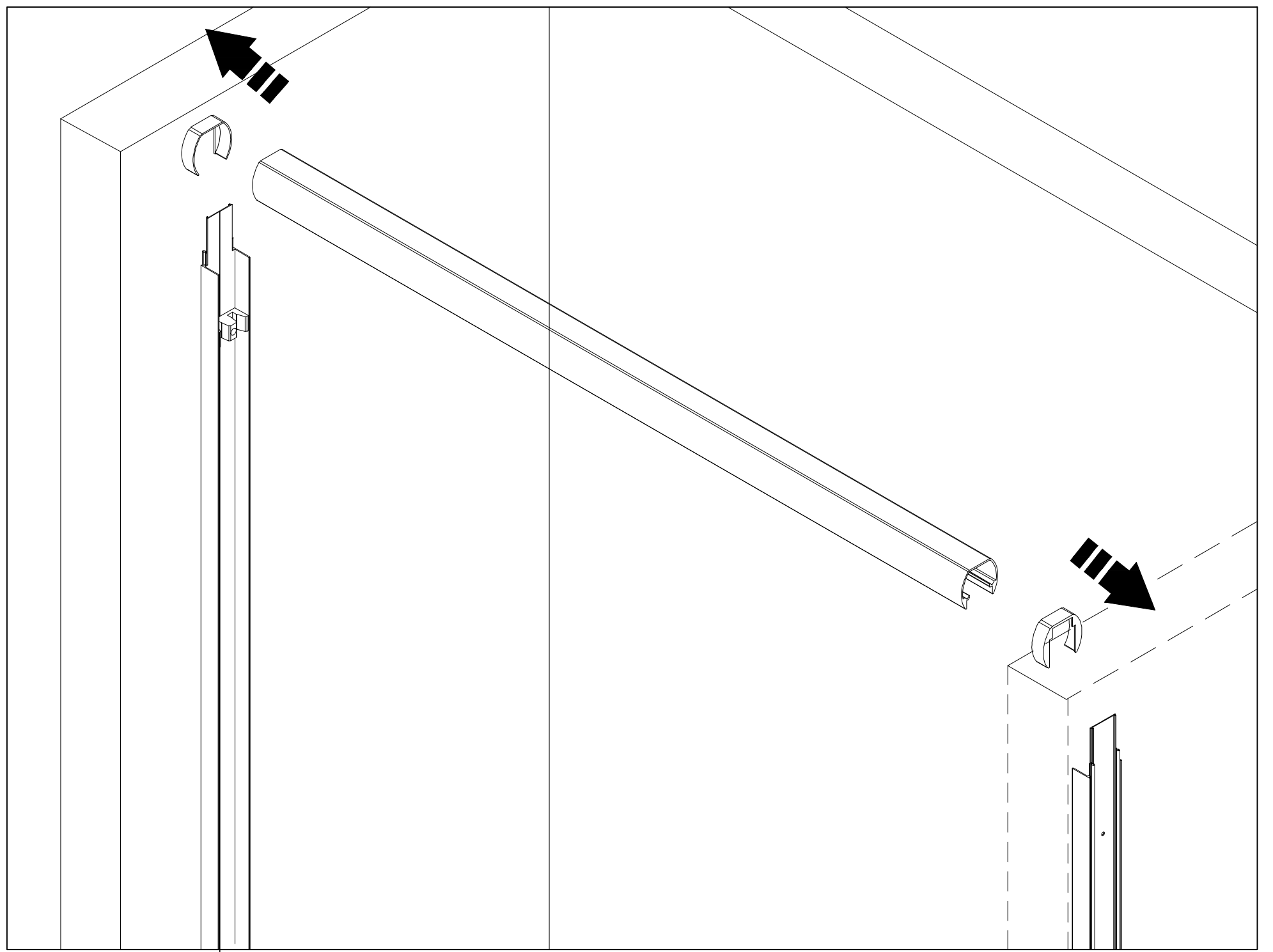
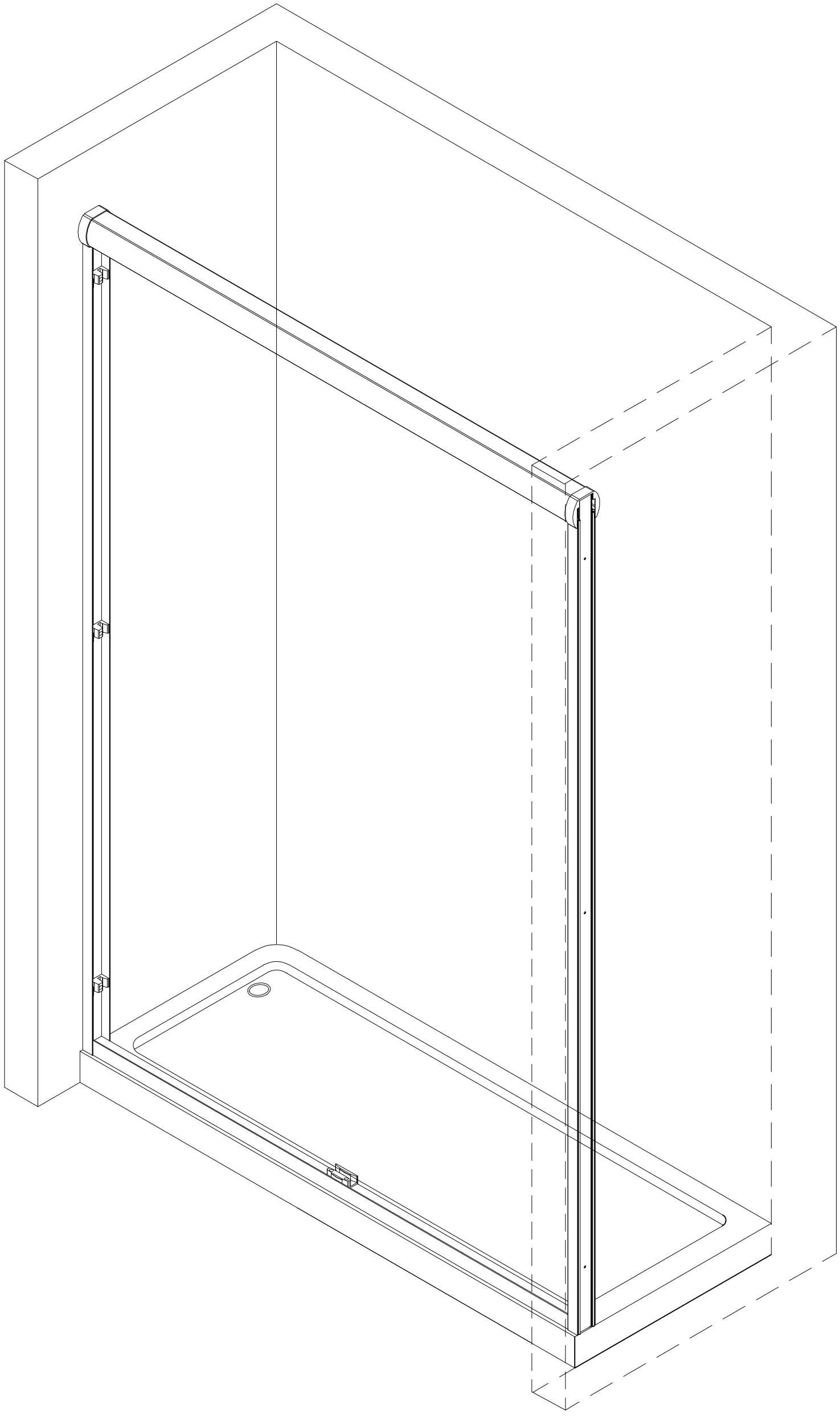
3



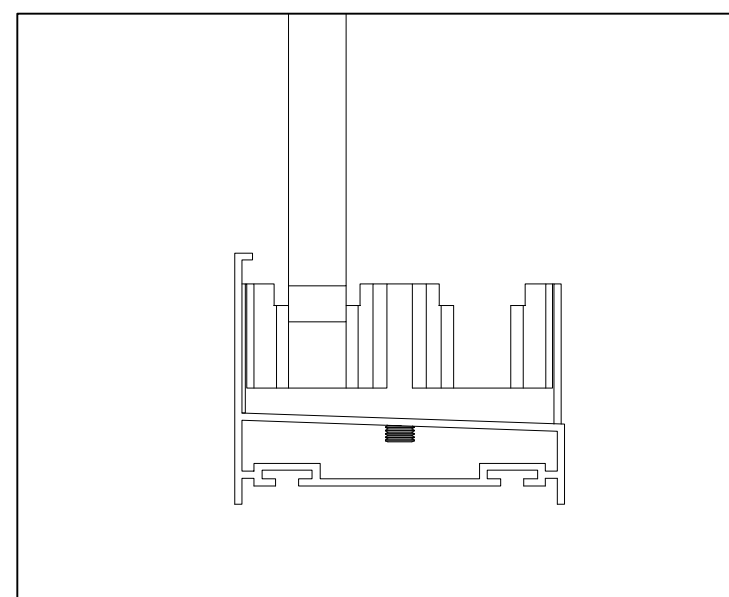
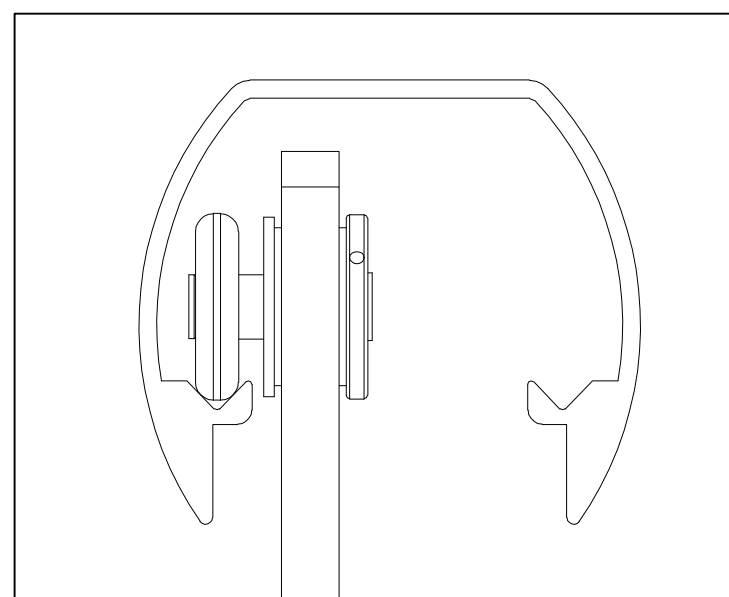
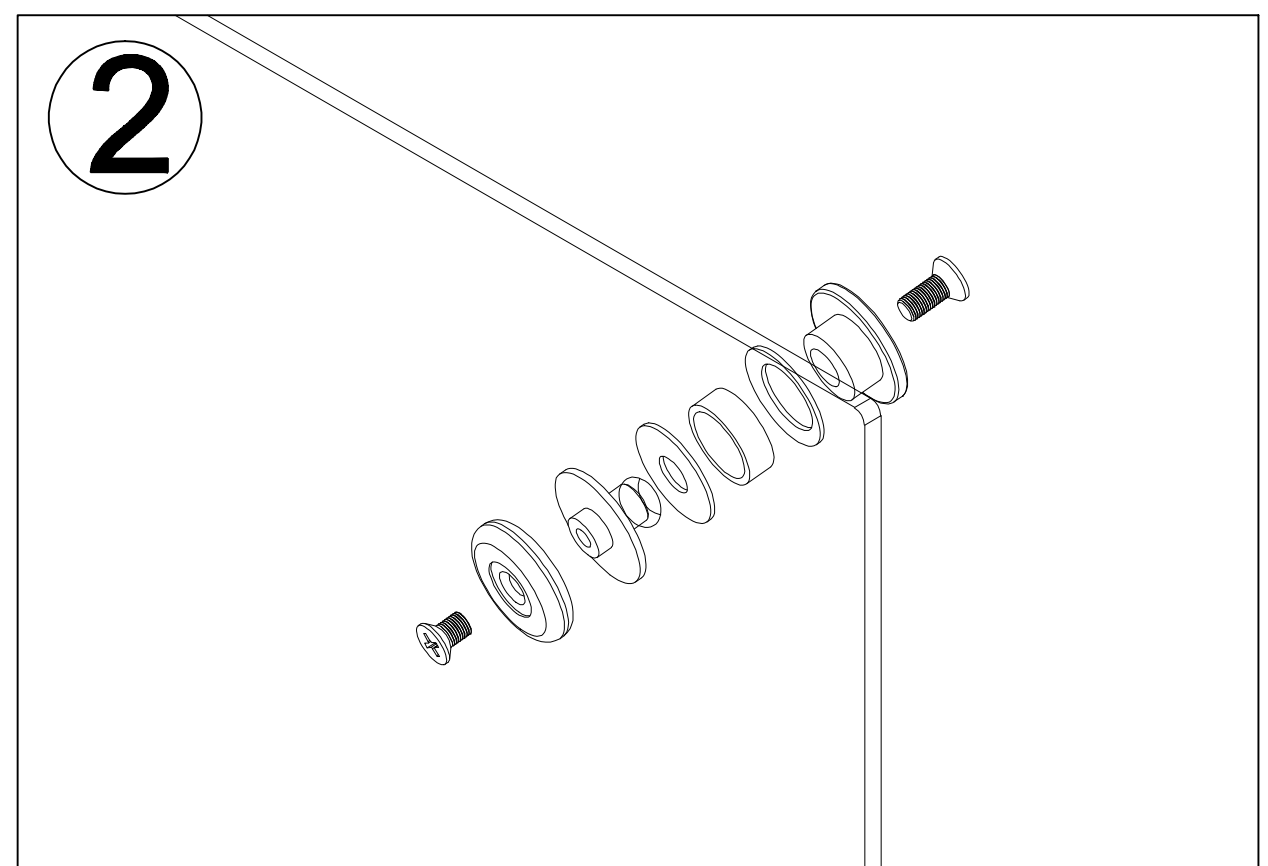
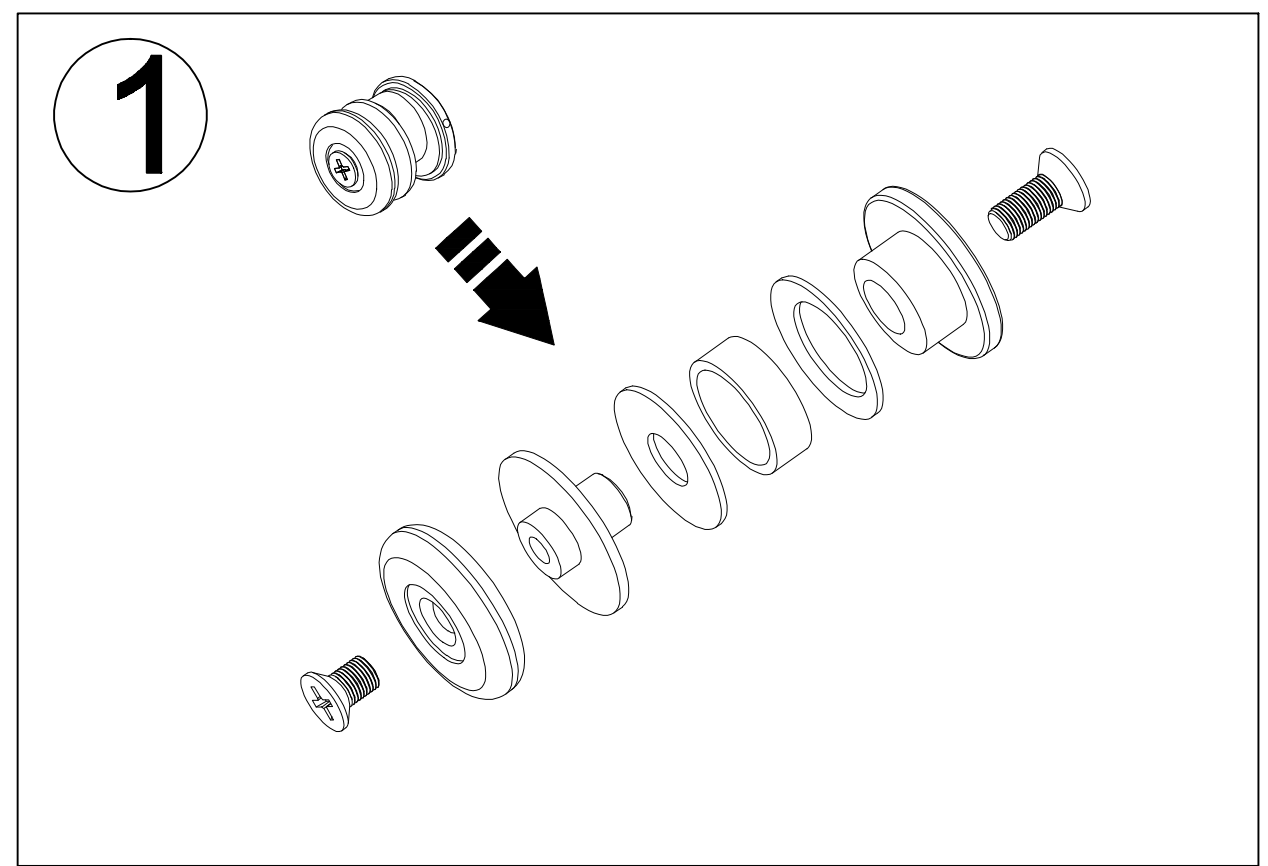
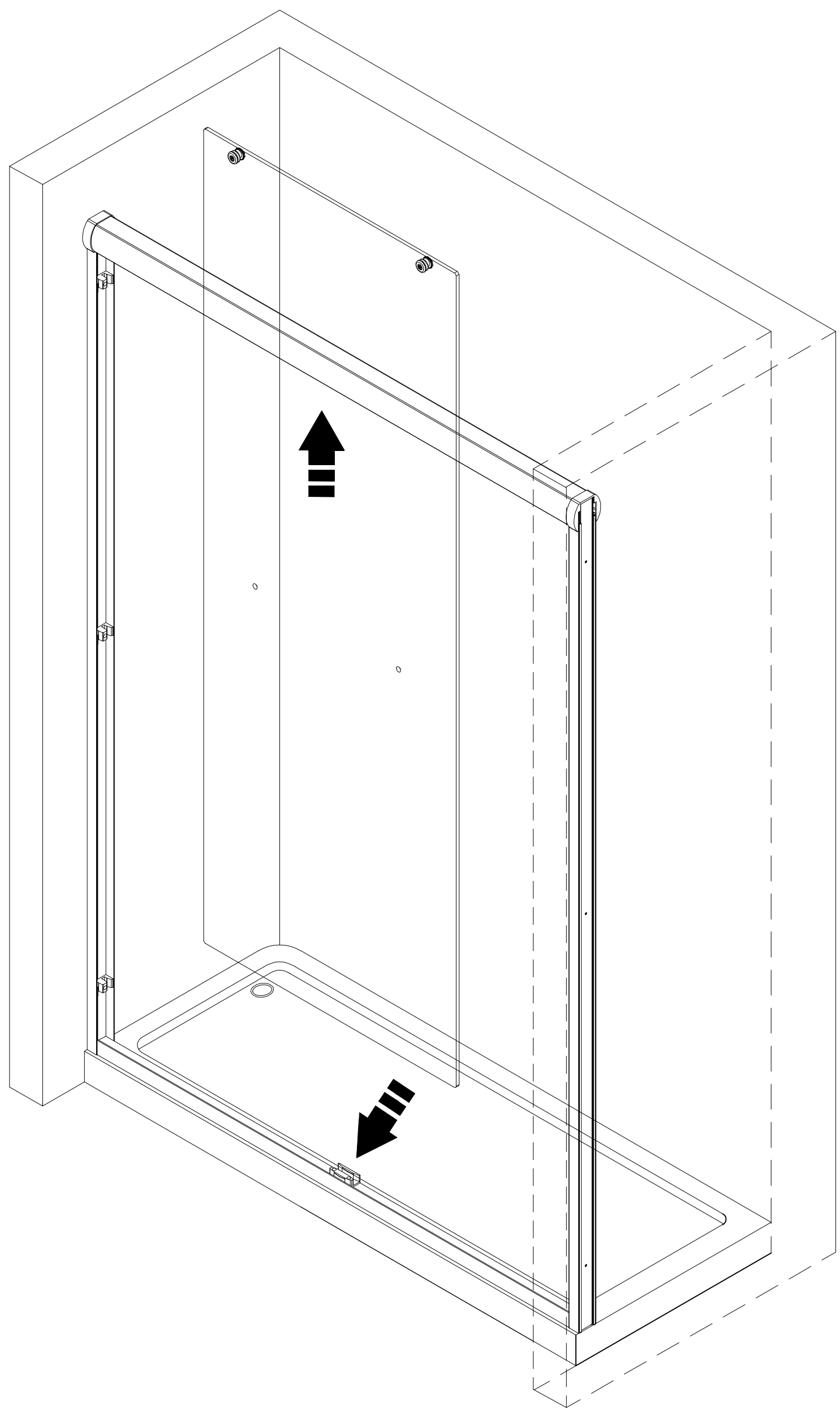
4



5

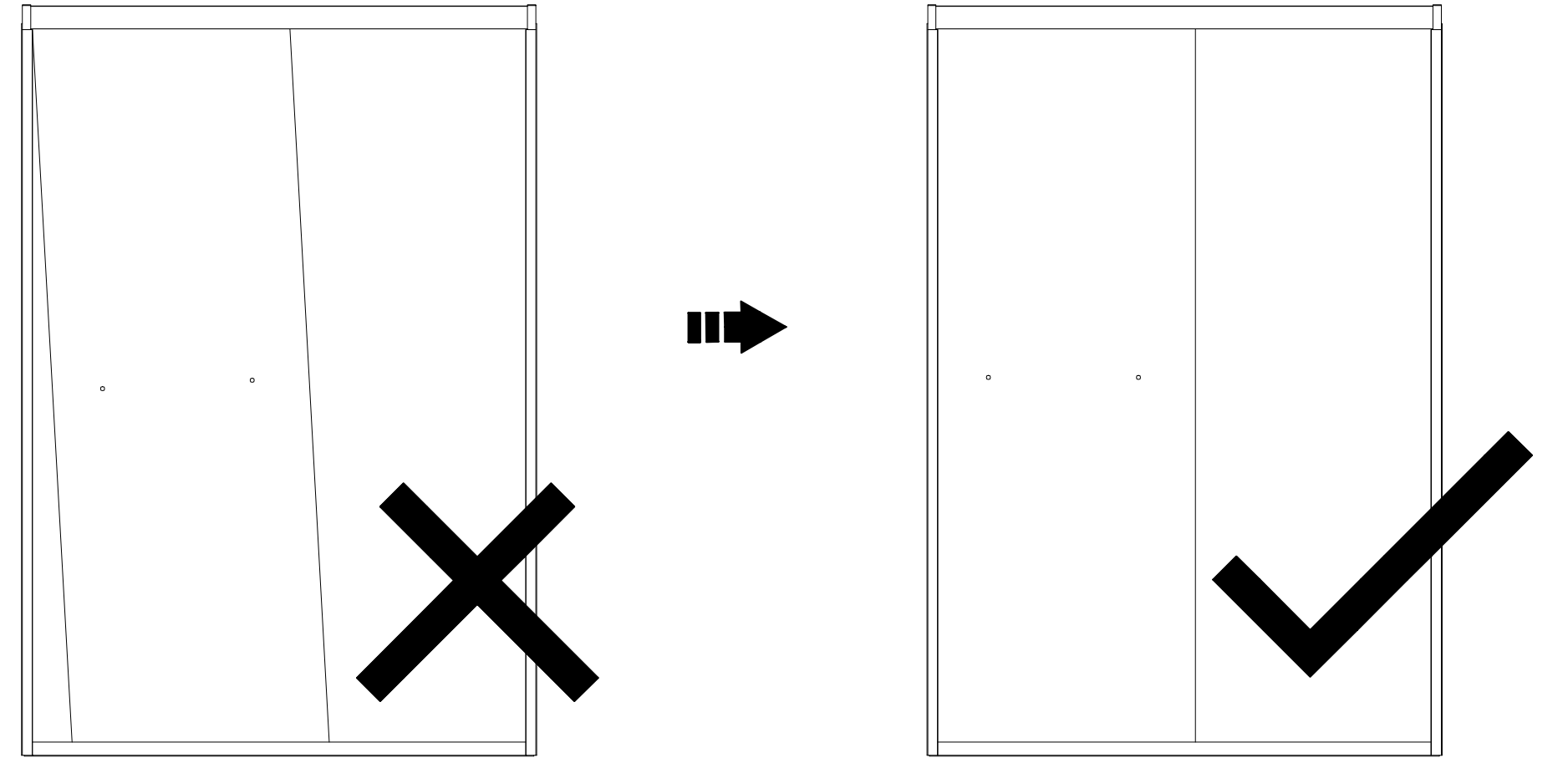
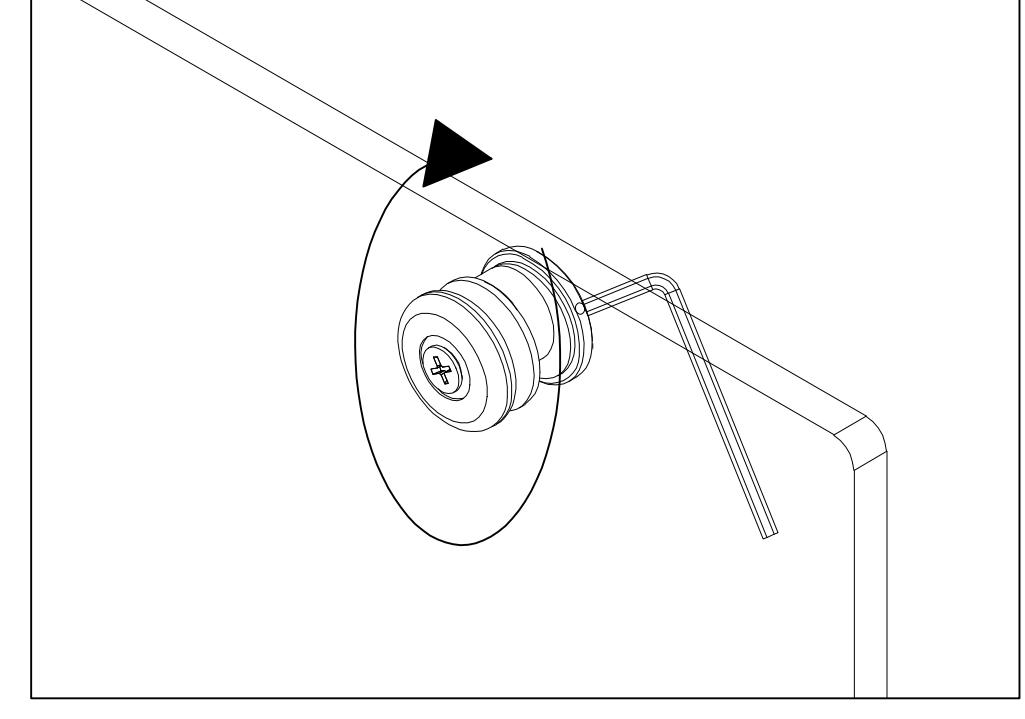
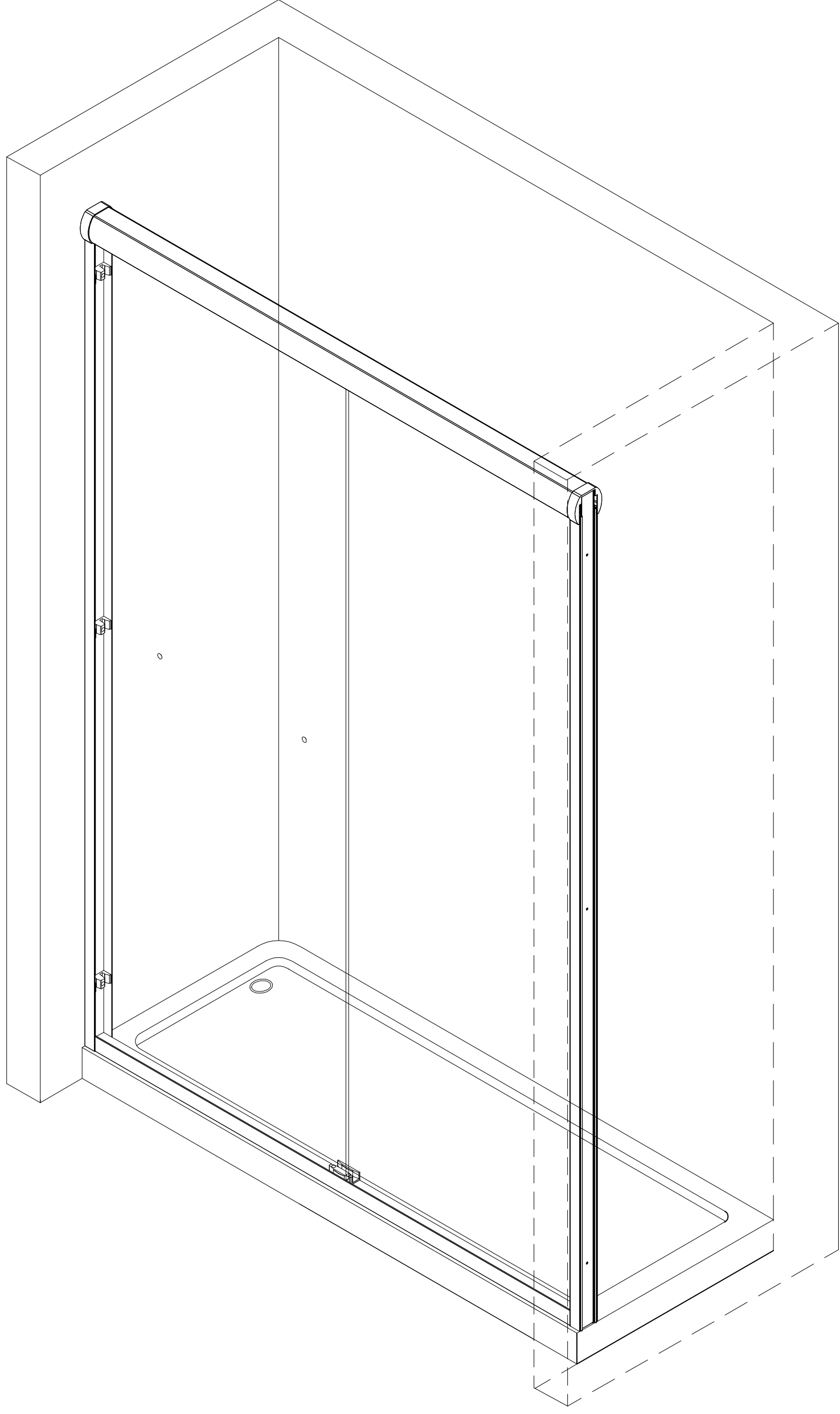


6

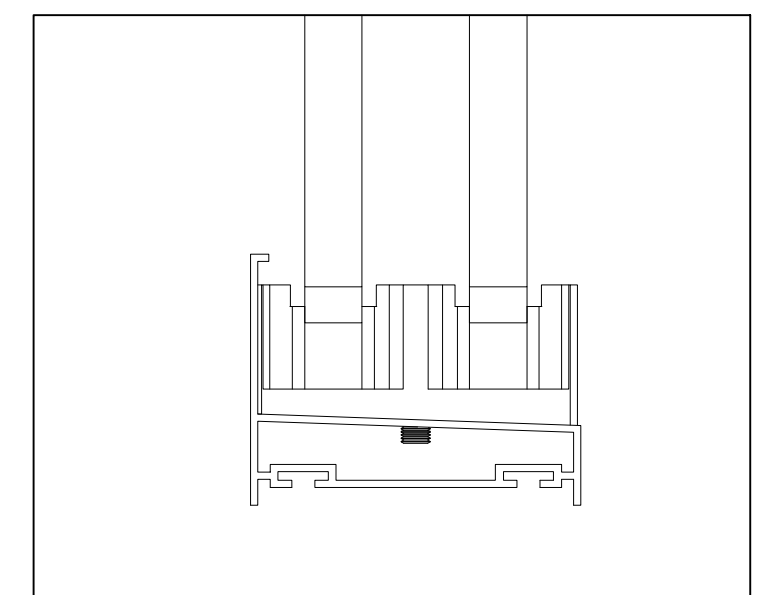
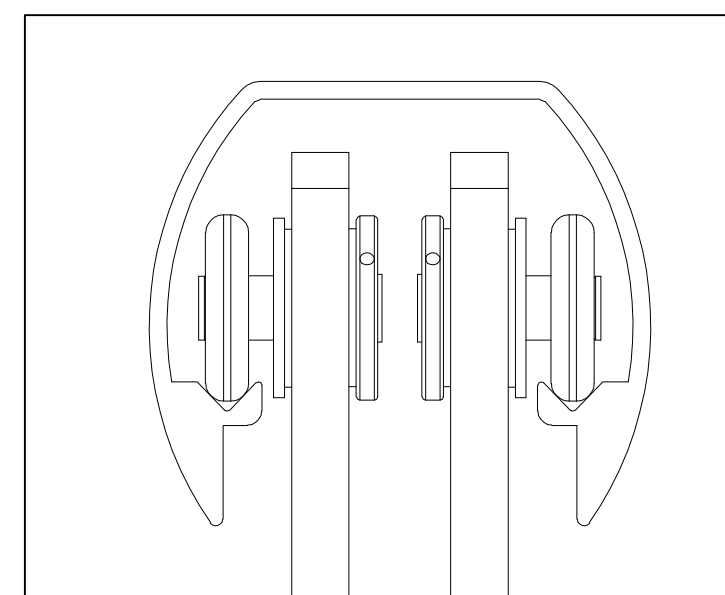
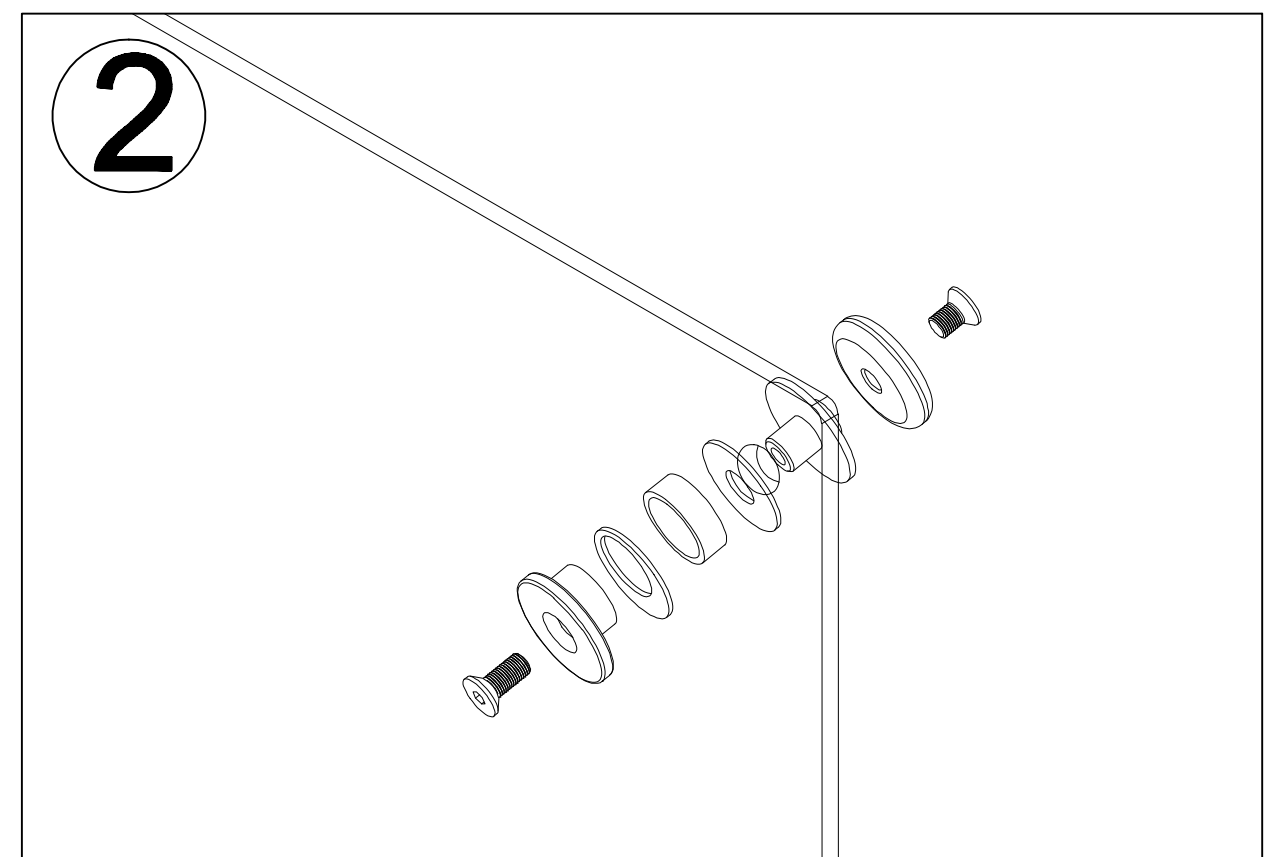
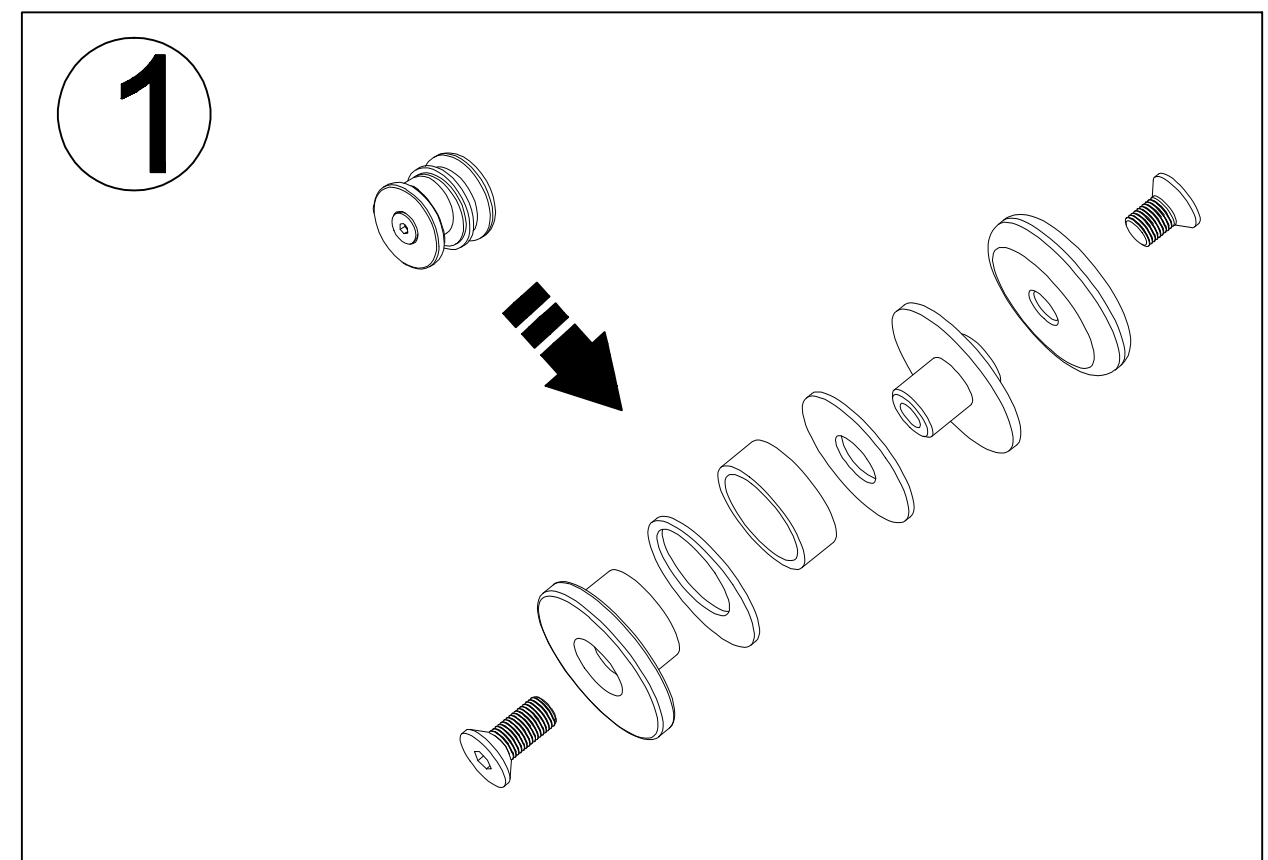
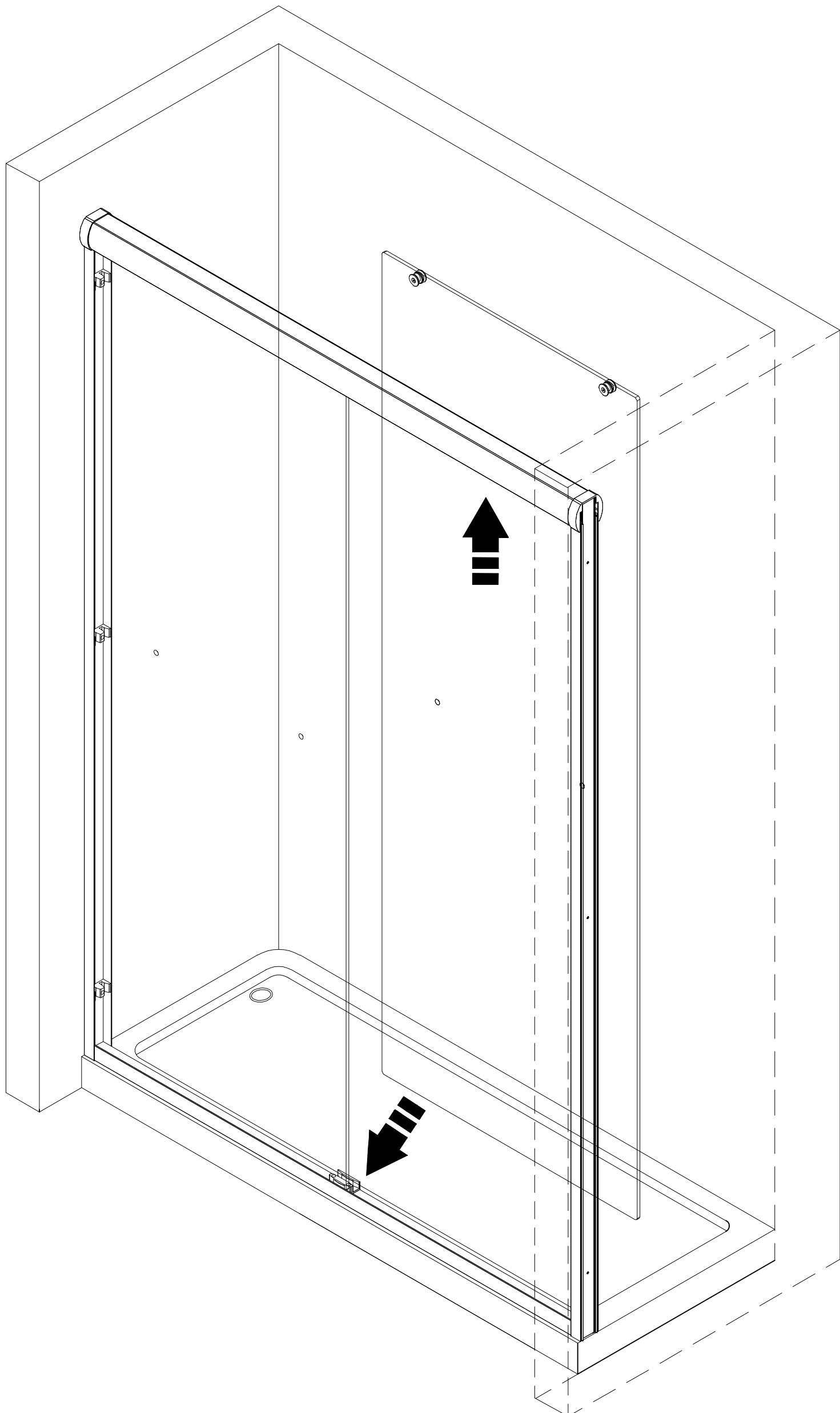


5

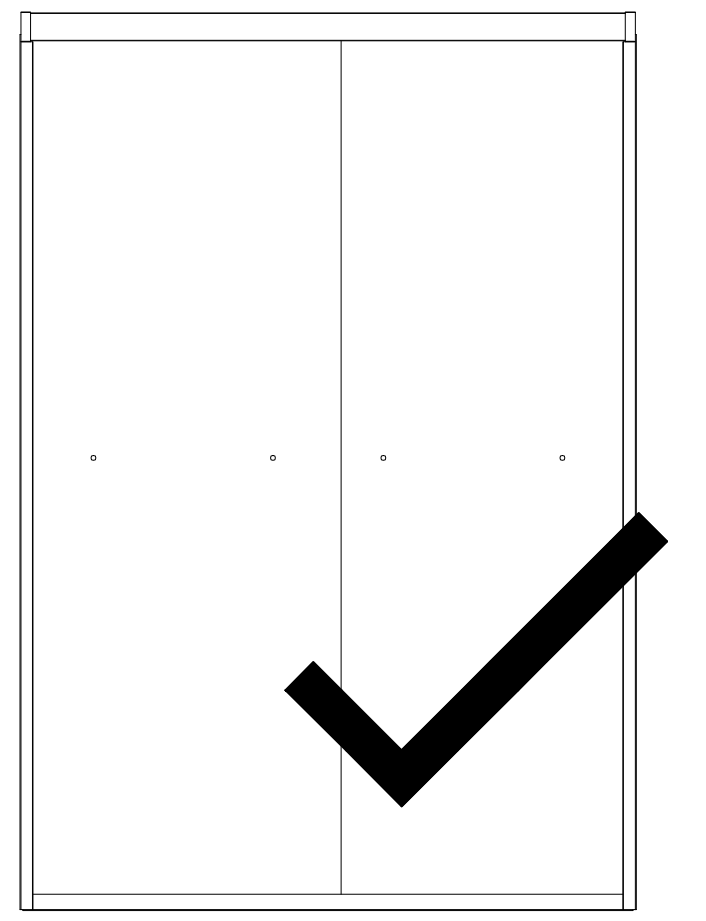
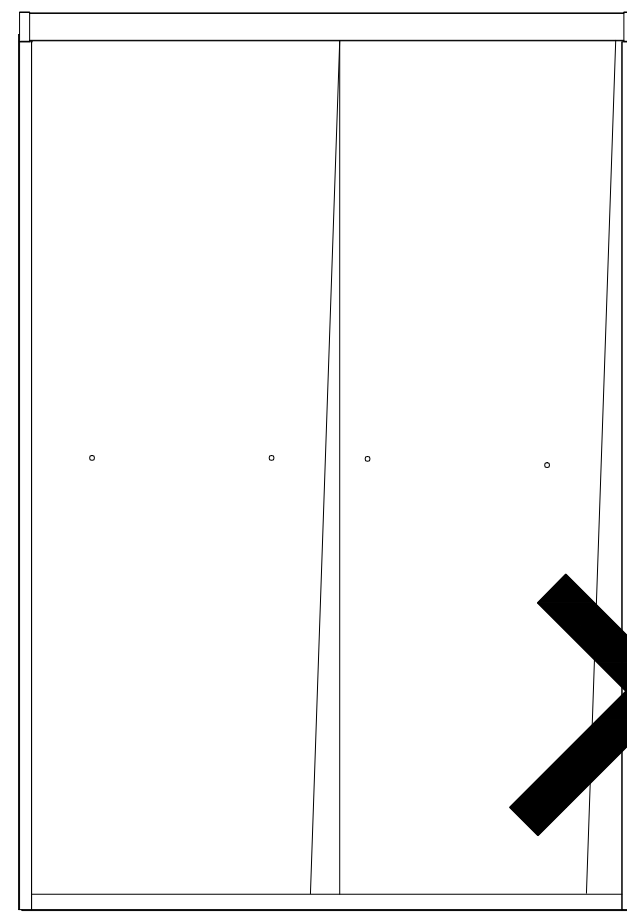
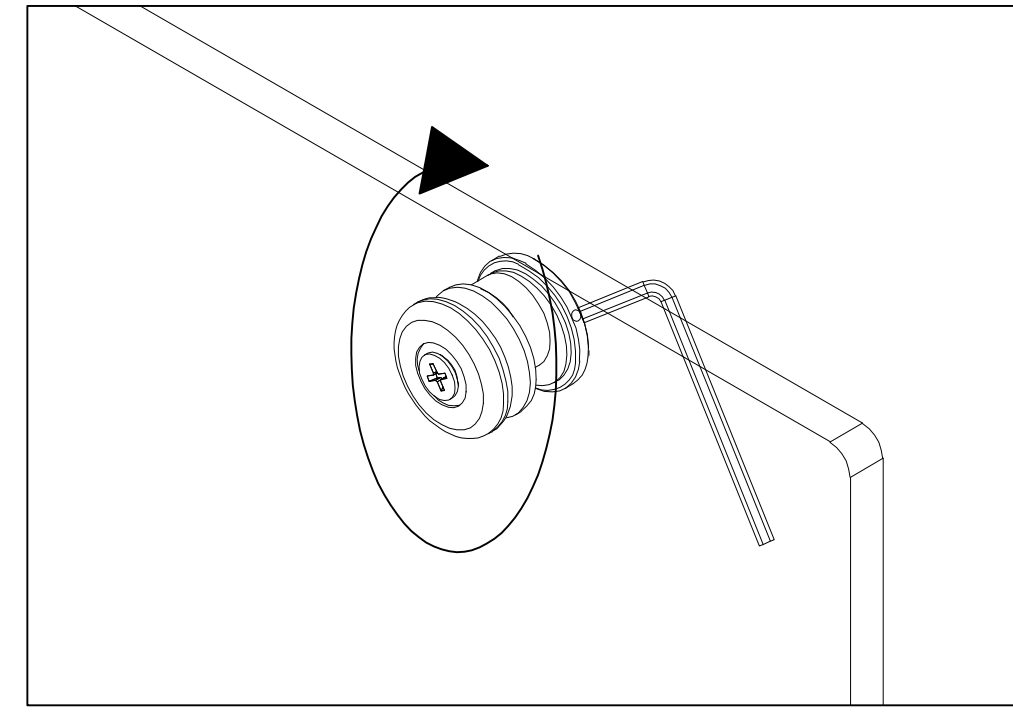
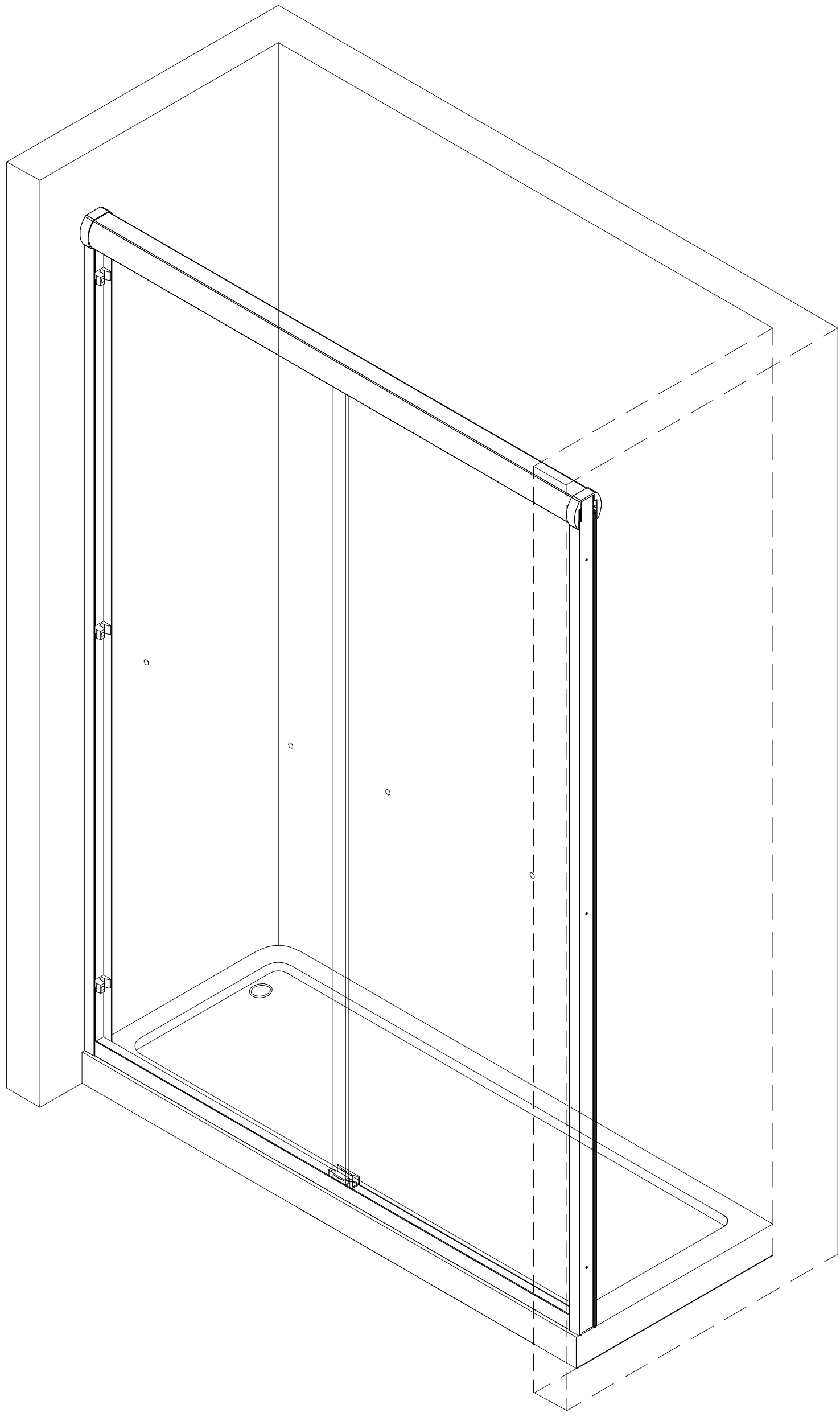
7



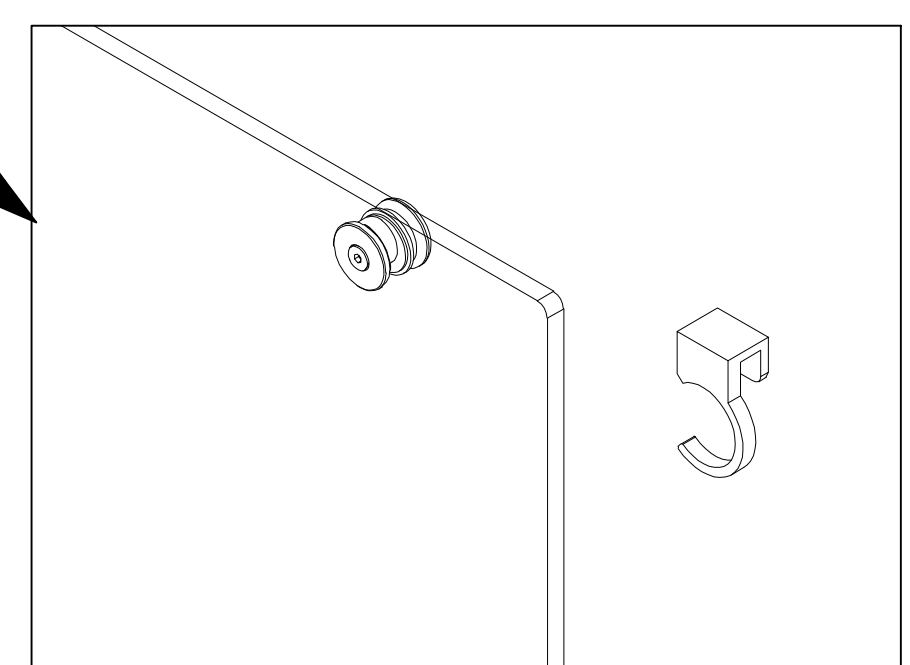
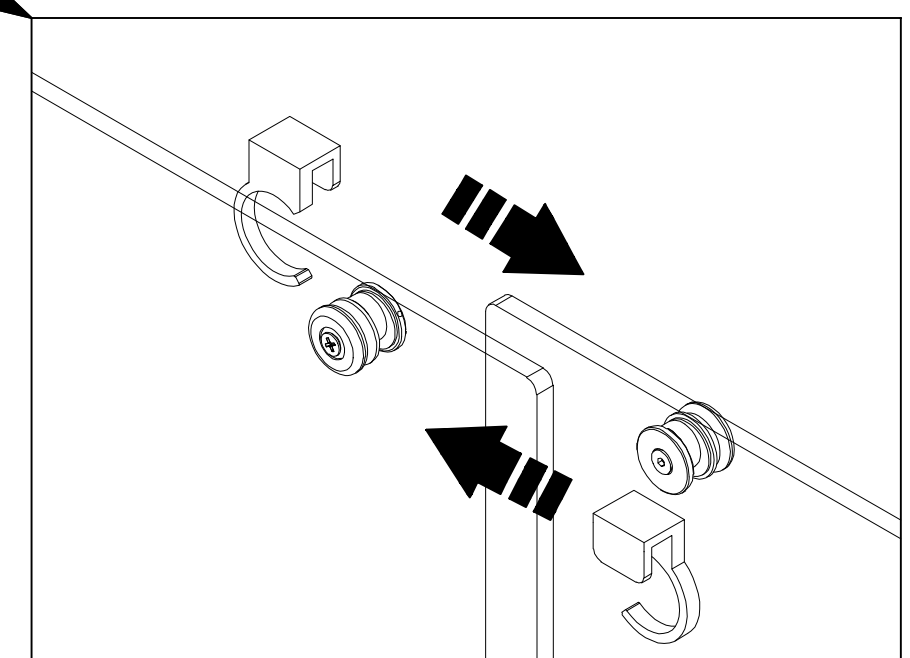
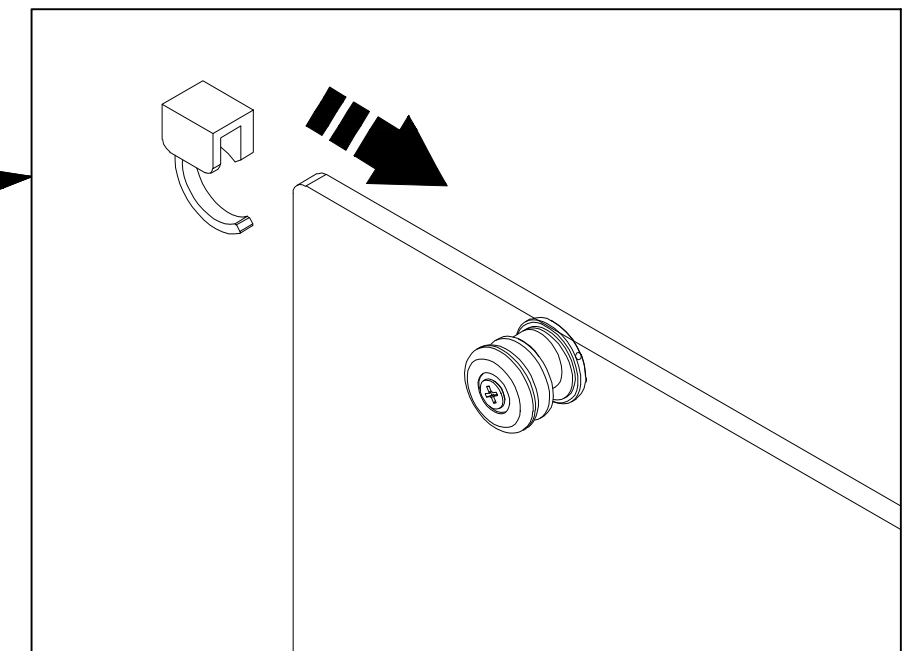
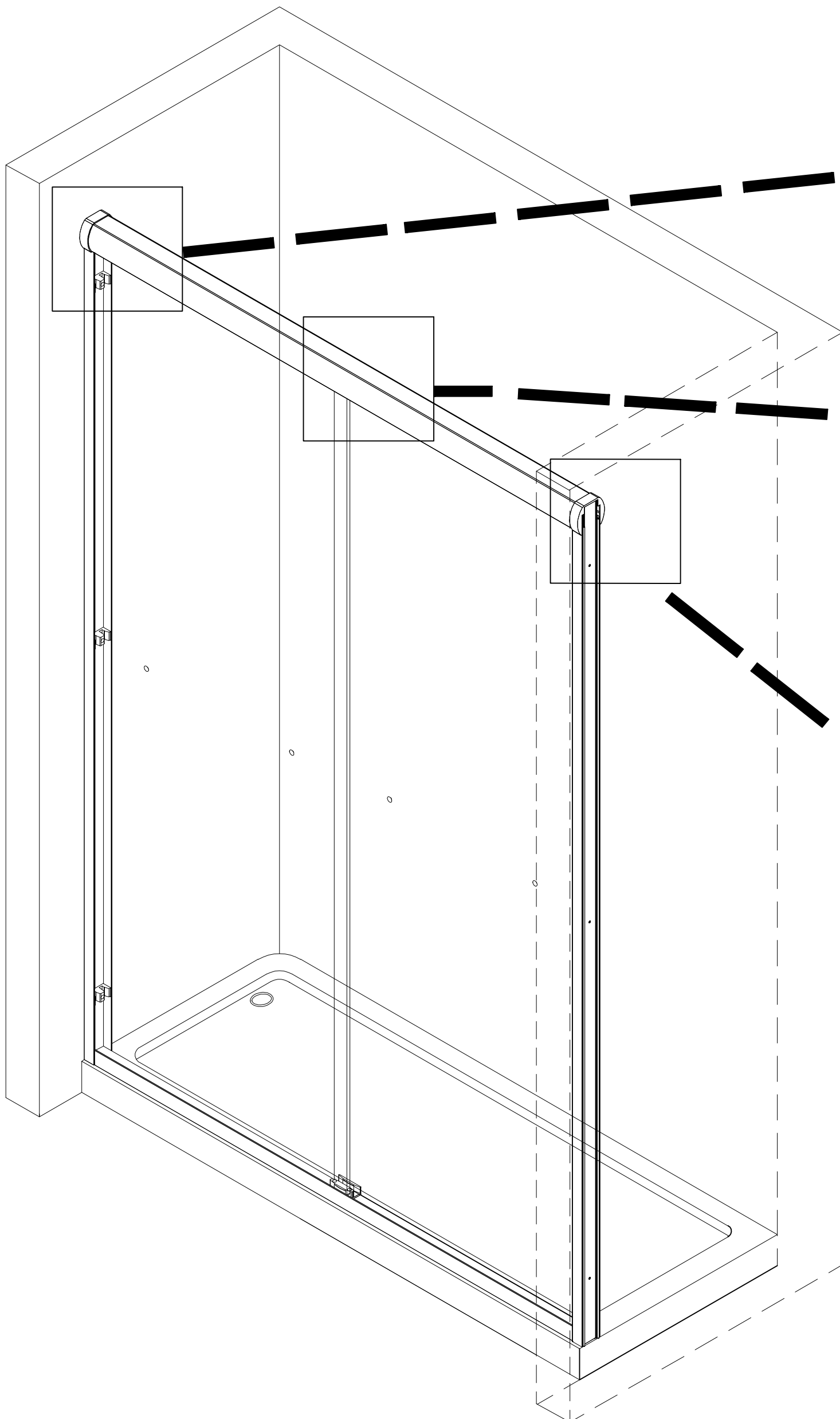
8



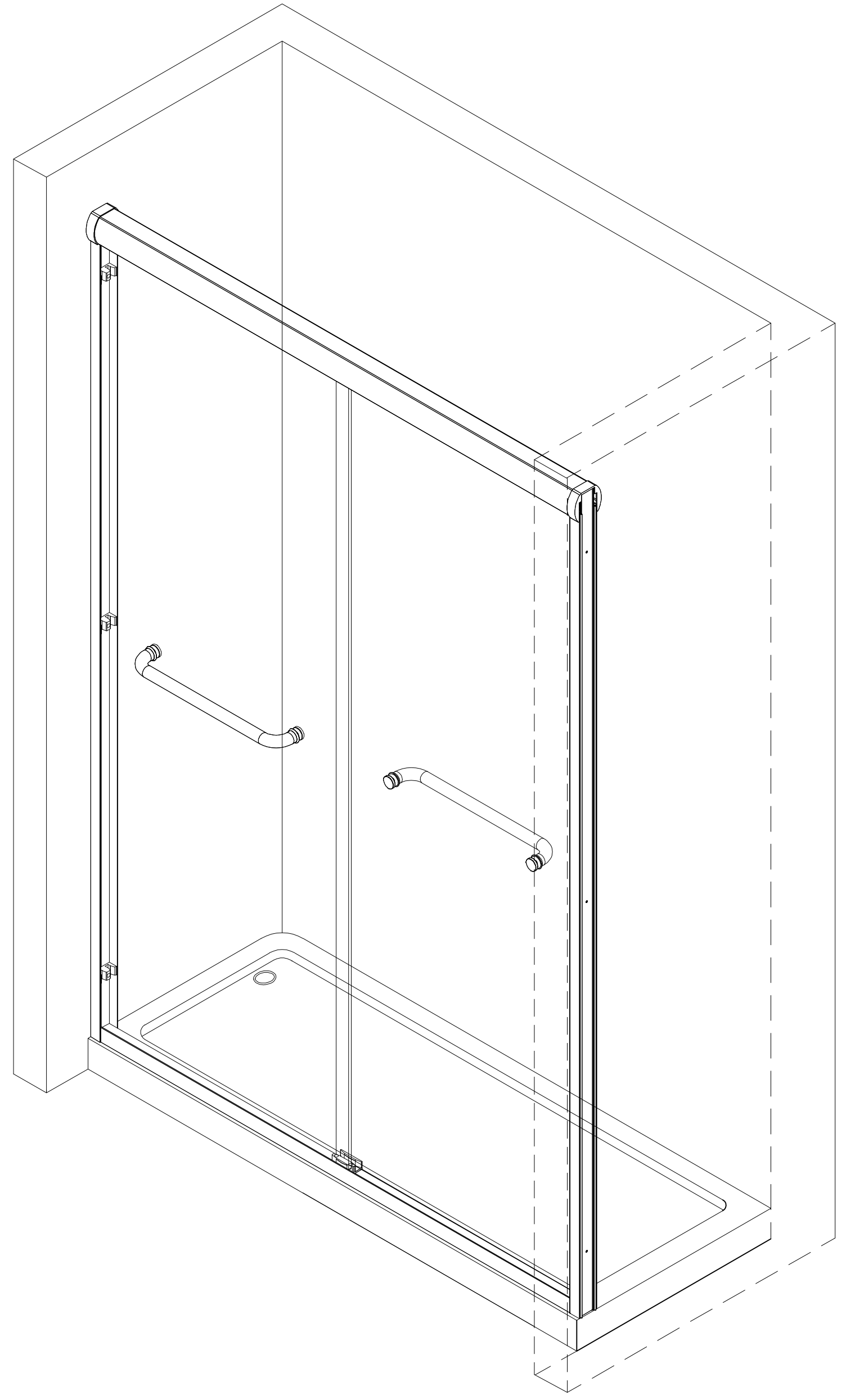
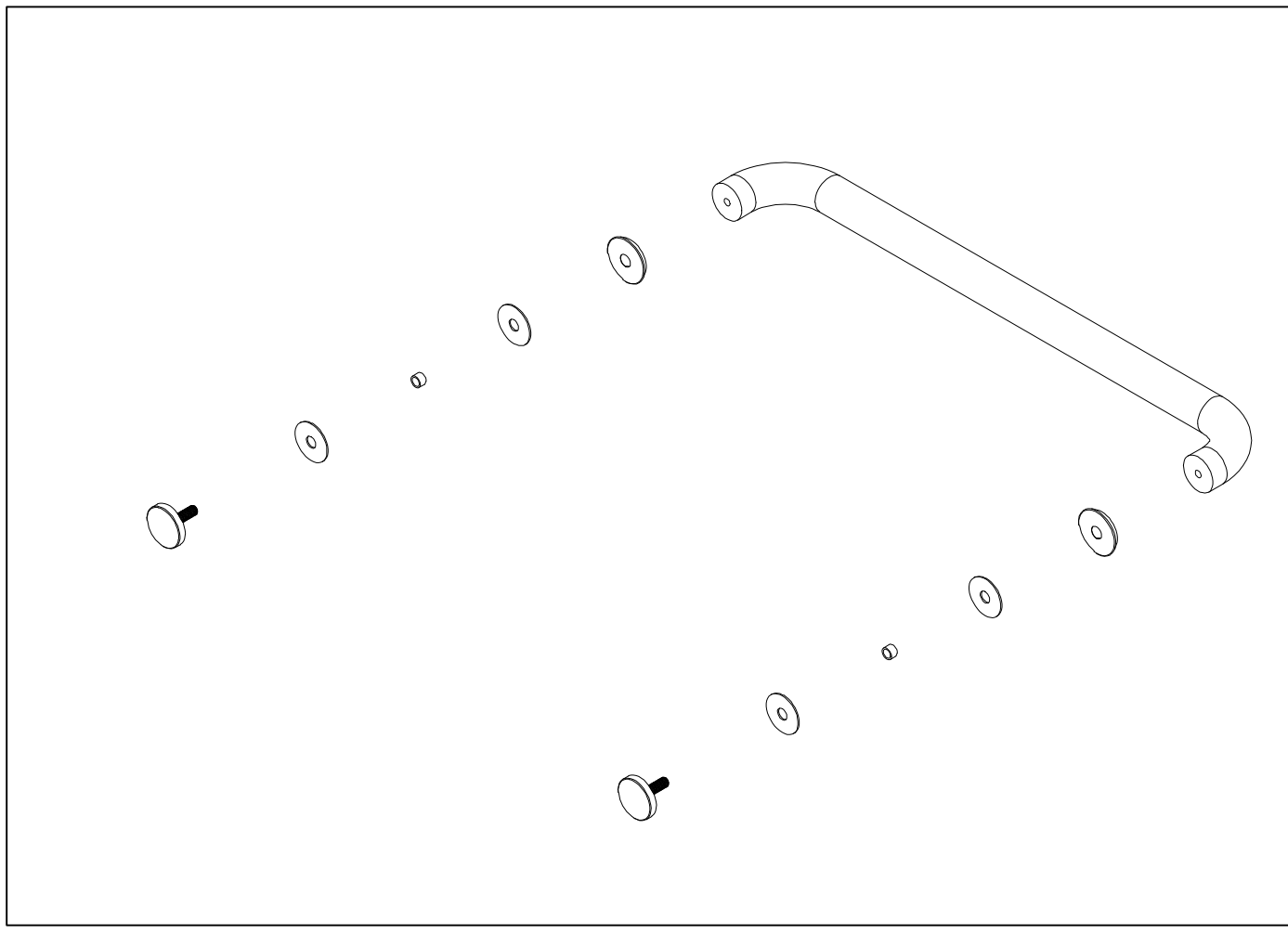
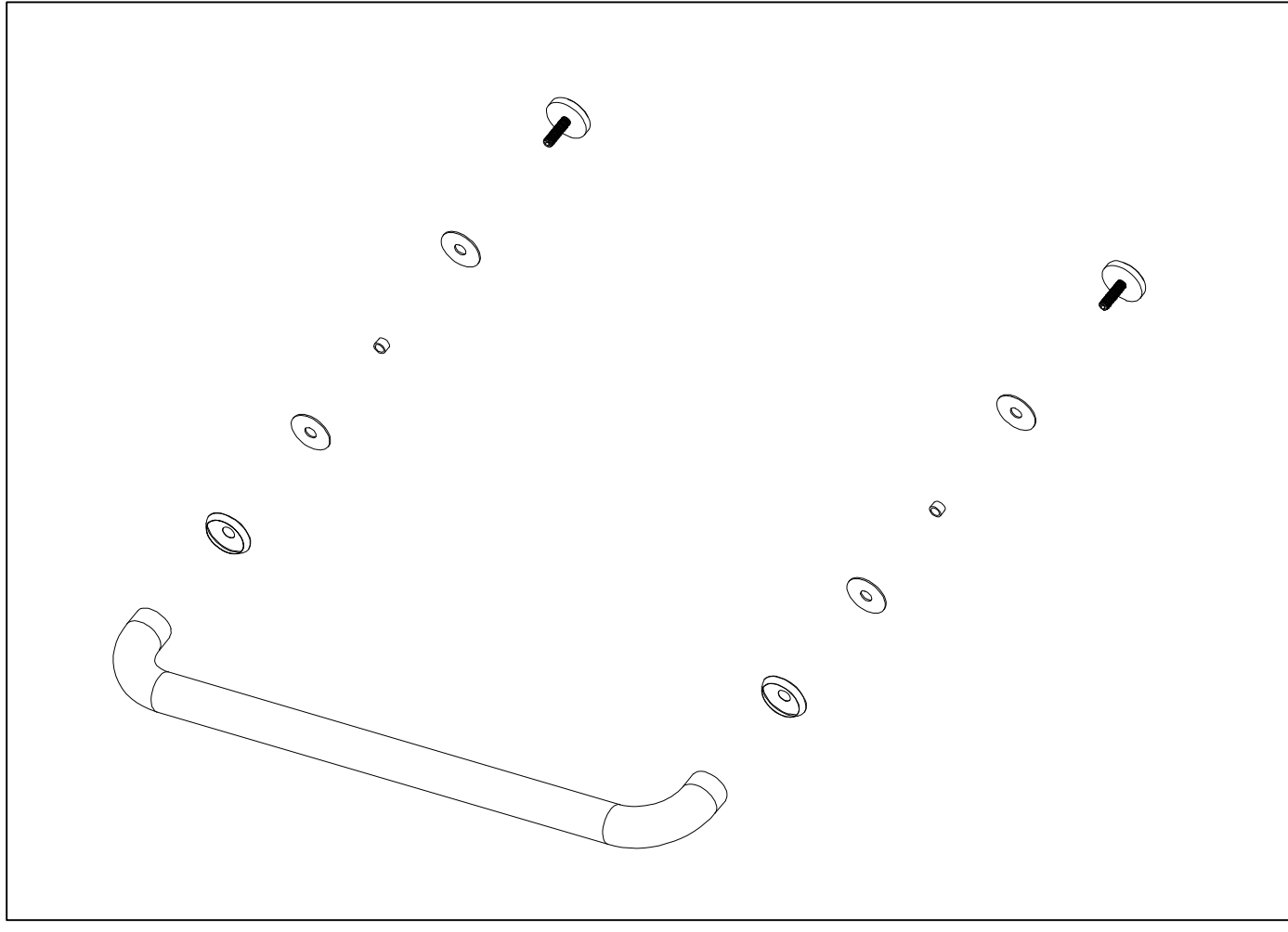
9



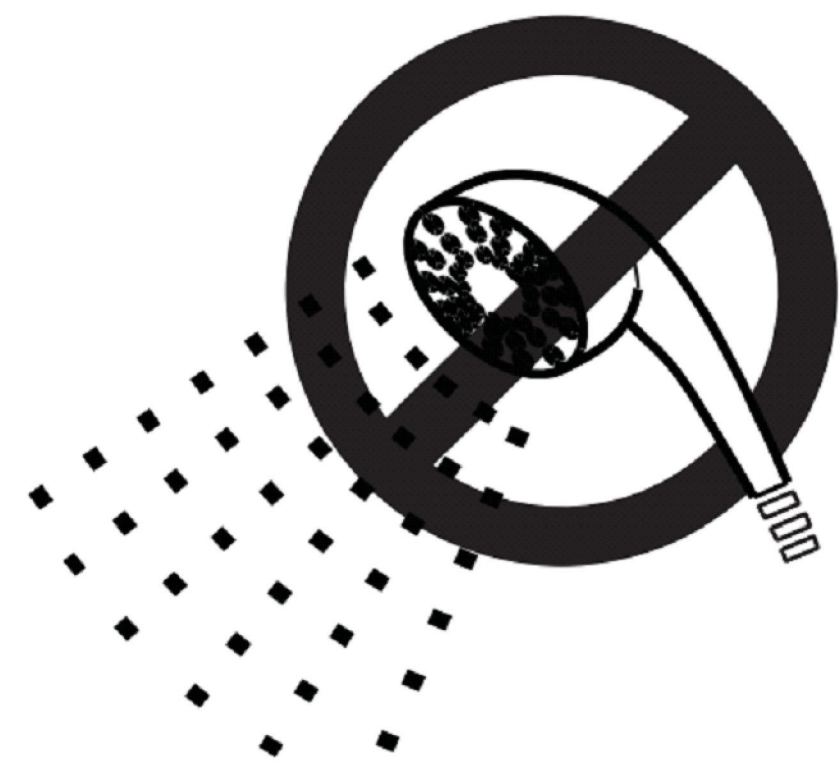
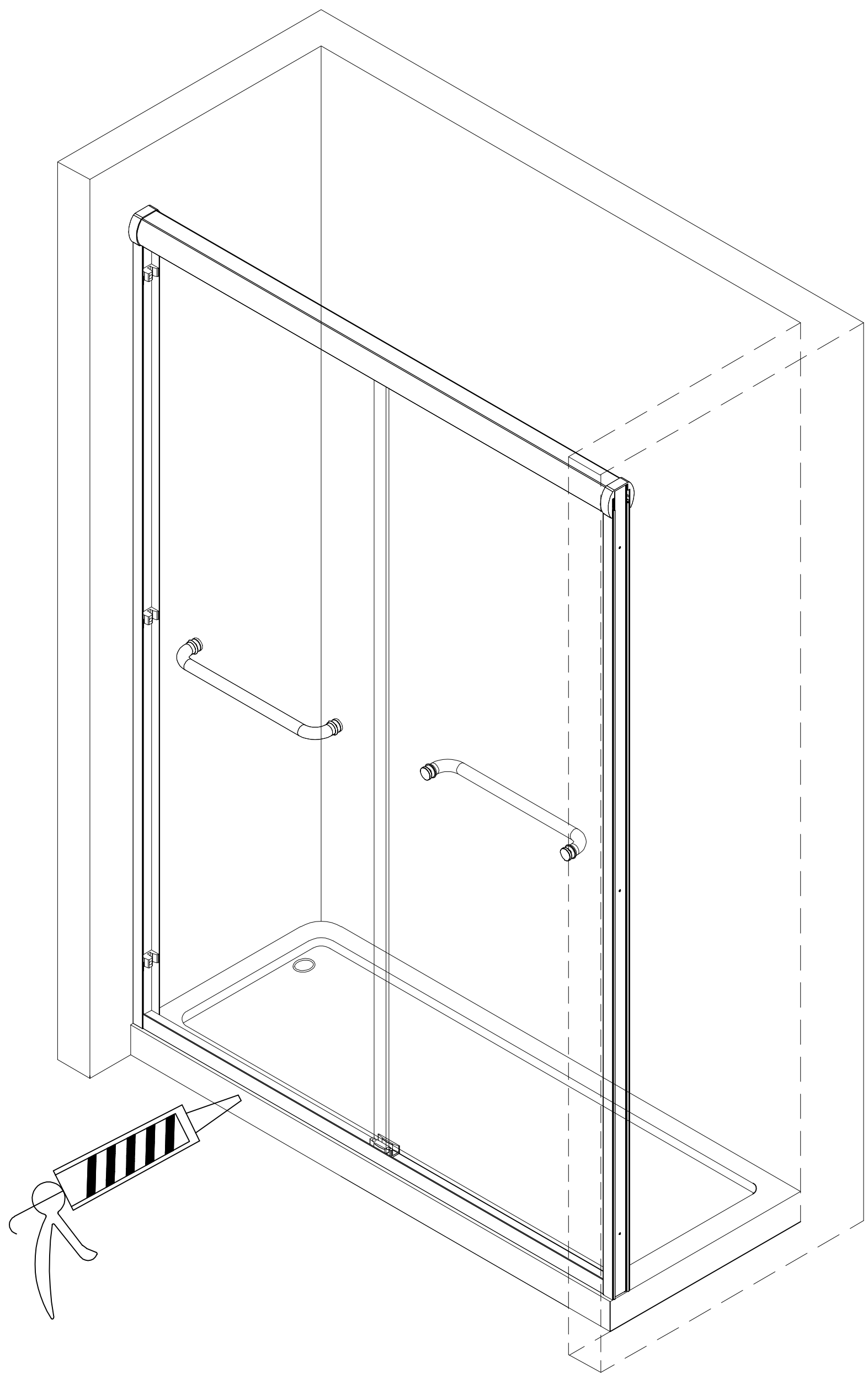
10



11



12



**24** HOURS