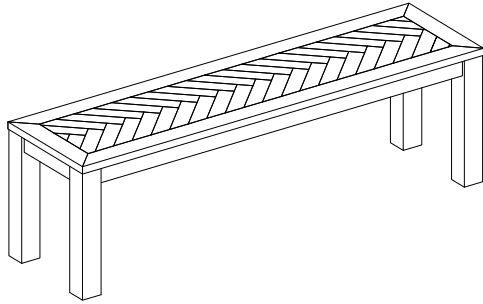


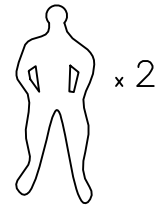
# BENCH



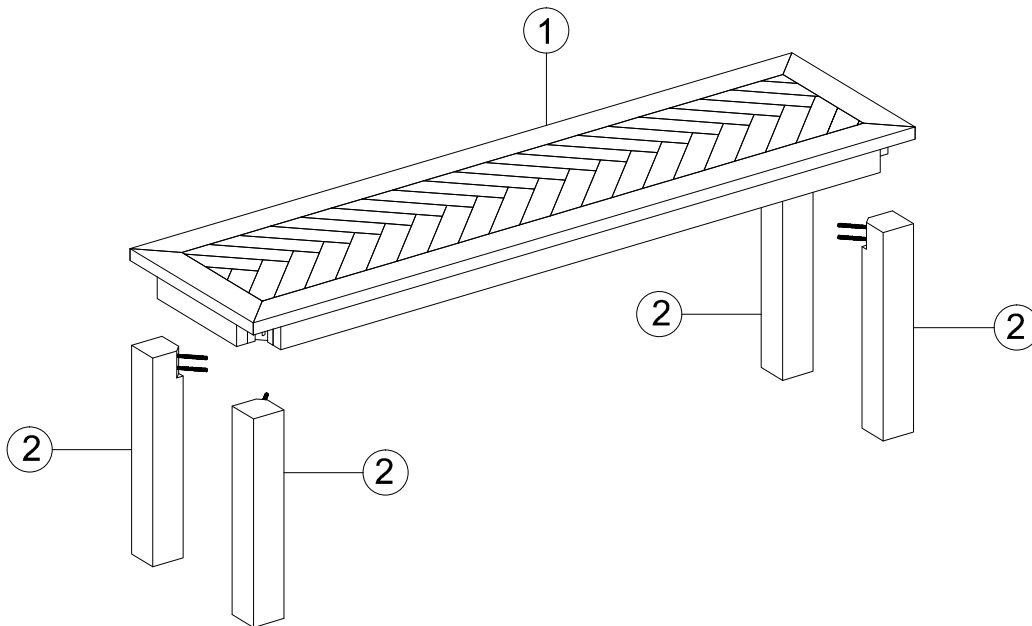
## ASSEMBLY INSTRUCTIONS

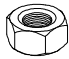





30 MIN

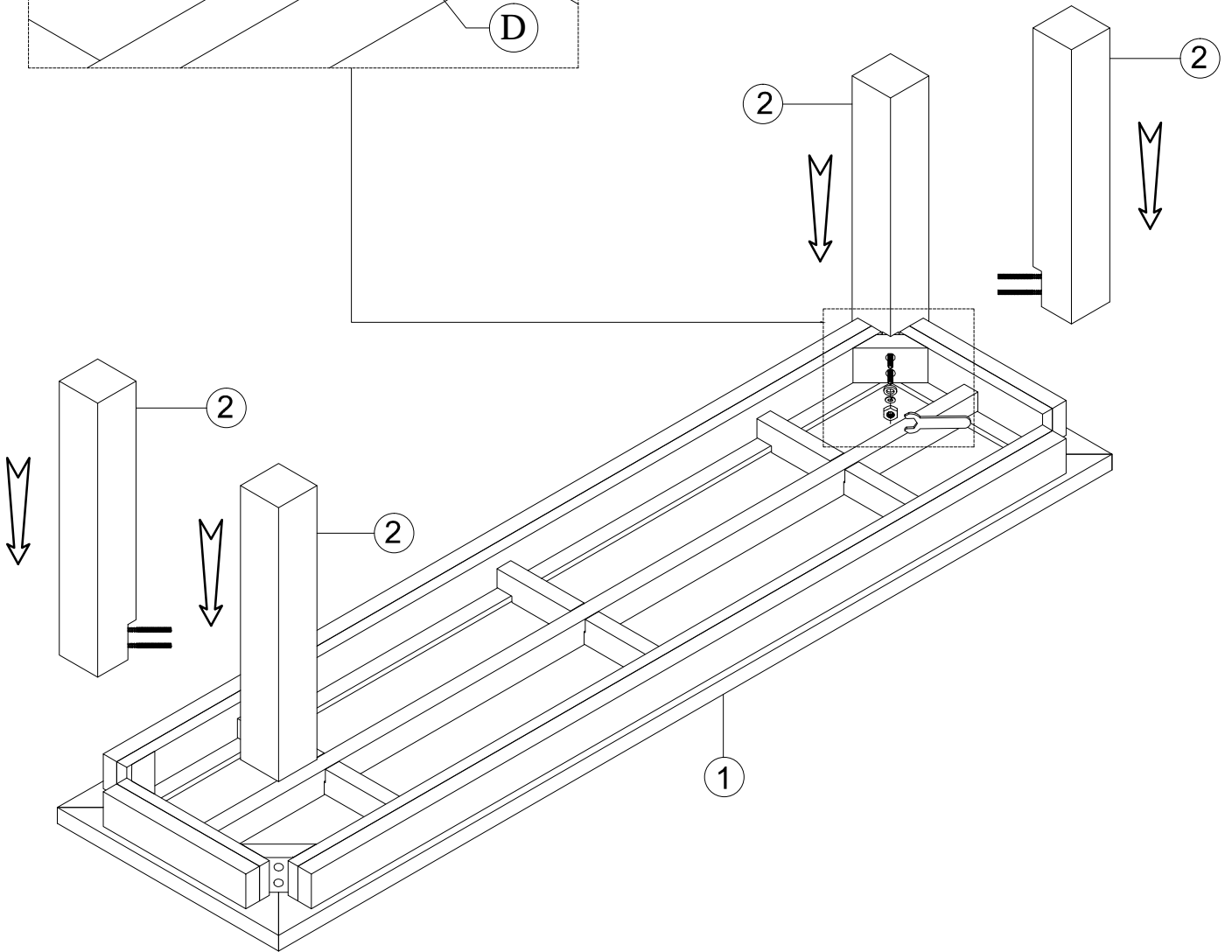
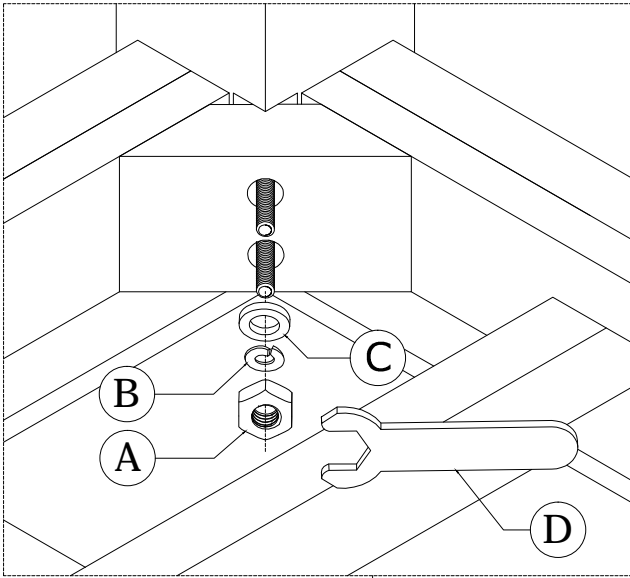


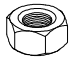

1	TOP	01 PC
2	LEGS	04 PCS


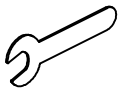


A	HEX NUT M8		08 PCS
B	SPRING WASHER M8 x Ø13 x 1.2 mm		08 PCS

C	WASHER M8 x Ø19 x 2 mm		08 PCS
D	SPANNAR M13		01 PC



<b>A</b>	HEX NUT M8		<b>08 PCS</b>
<b>B</b>	SPRING WASHER M8 x Ø13 x 1.2 mm		<b>08 PCS</b>

<b>C</b>	WASHER M8 x Ø19 x 2 mm		<b>08 PCS</b>
<b>D</b>	SPANNAR M13		<b>01 PC</b>

**ASSEMBLY IS COMPLETE**

