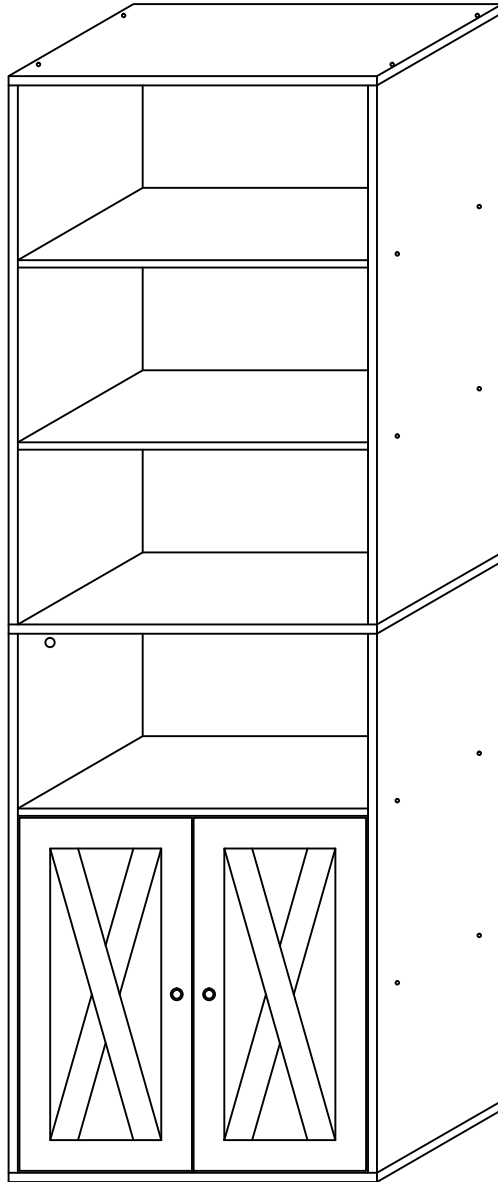


BOOKCASE



Notes



Assembly Notes:

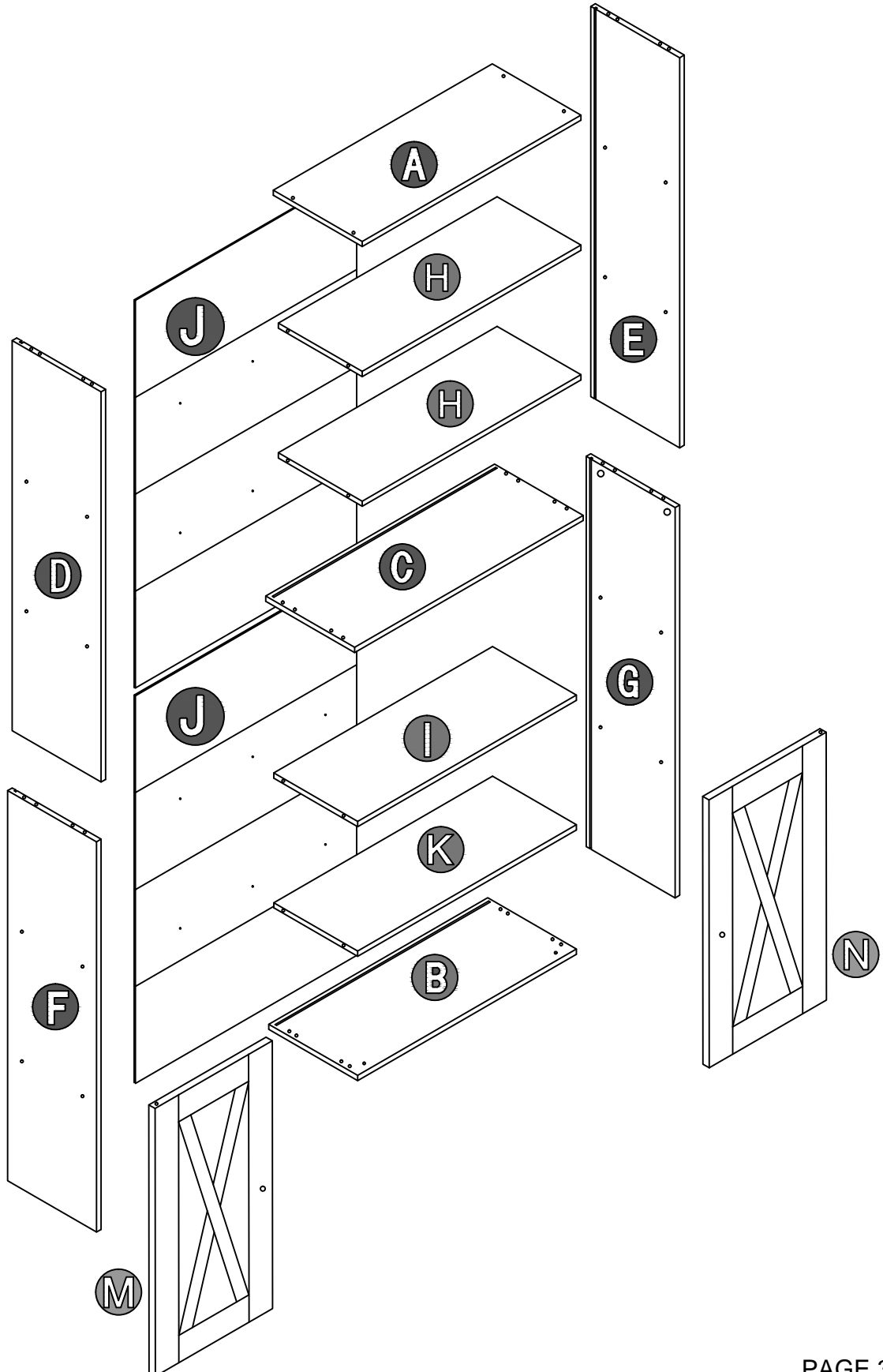
- Make sure all the parts and hardware are correct according to the instructions. Follow the instructions so the parts are assembled correctly.
- Do not fully tighten screws with Allan key until you have put together the whole bookcase. That way if you make a mistake you can quickly remove a screw.



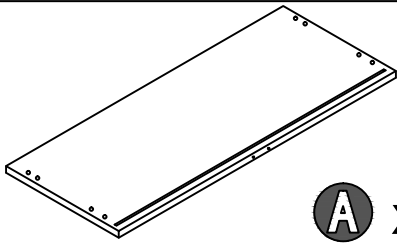
Daily Care:

- Clean the bookcase regularly. Do not use Alcohol, gasoline or any organic solvent for cleaning.
- Do not put the bookcase in a humid environment, a dry, ventilated place is recommended to avoid direct sunlight, so as to prevent premature oxidation and ensure the crate's safety of use and service life.

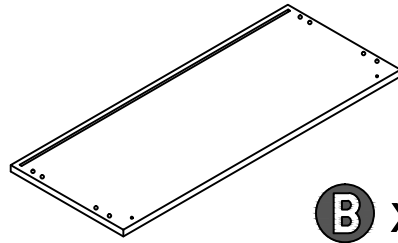
Exploded View



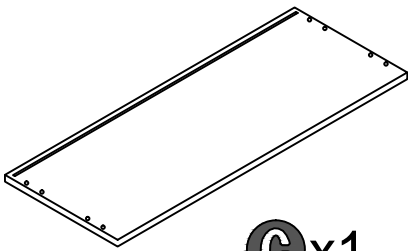
Parts List



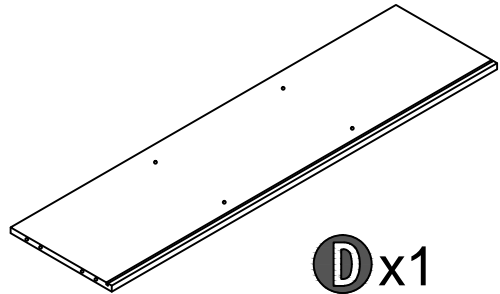
A x1



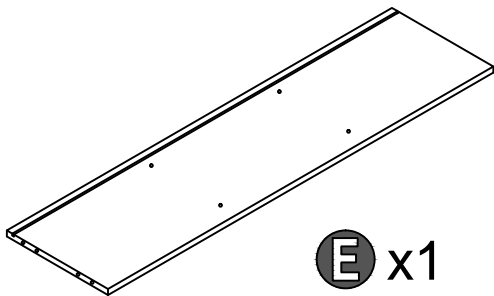
B x1



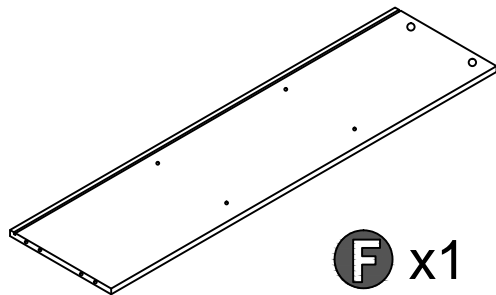
C x1



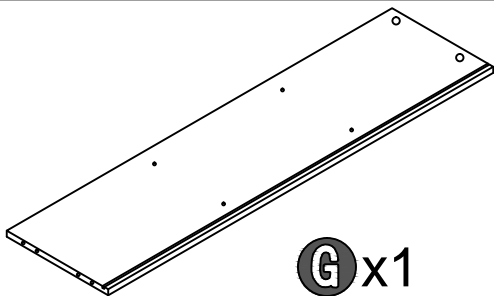
D x1



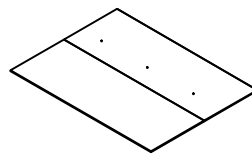
E x1



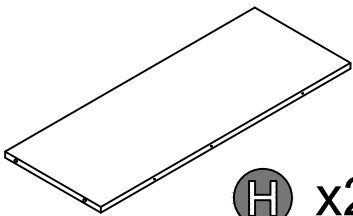
F x1



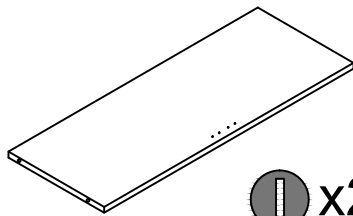
G x1



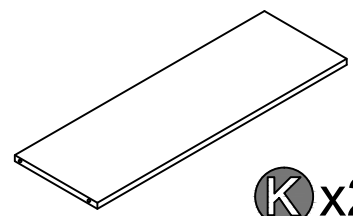
J x4



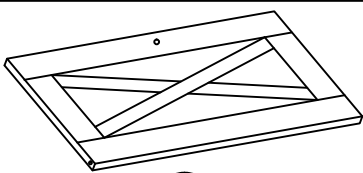
H x2



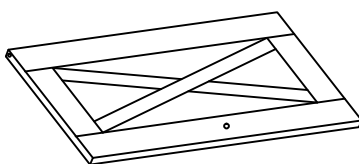
I x2



K x2

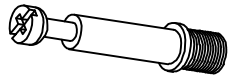


M x1



N x1

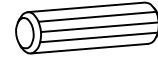
Hardware List



① X 4+1 $\phi 6*28$



② X 4+1 $\phi 15*9$



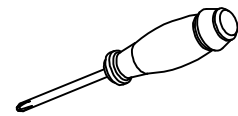
③ X 16+1 $\phi 6*30$



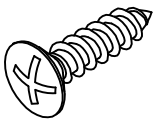
④ X 28+1 $\phi 5*40$



⑤ X 1 M3mm



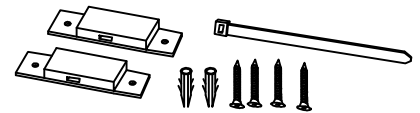
⑥ X 1



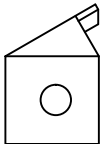
⑦ X 12+1 $\phi 4*14$



⑧ X 40+1 $\phi 3.5*14$



⑨ X 1



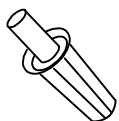
⑩ X 36+1



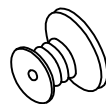
⑪ x2



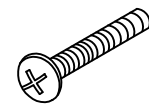
⑫ x2



⑬ x4



⑭ x2



⑮ x2

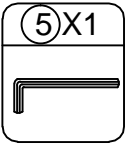


⑯ x4 $\phi 3*12$

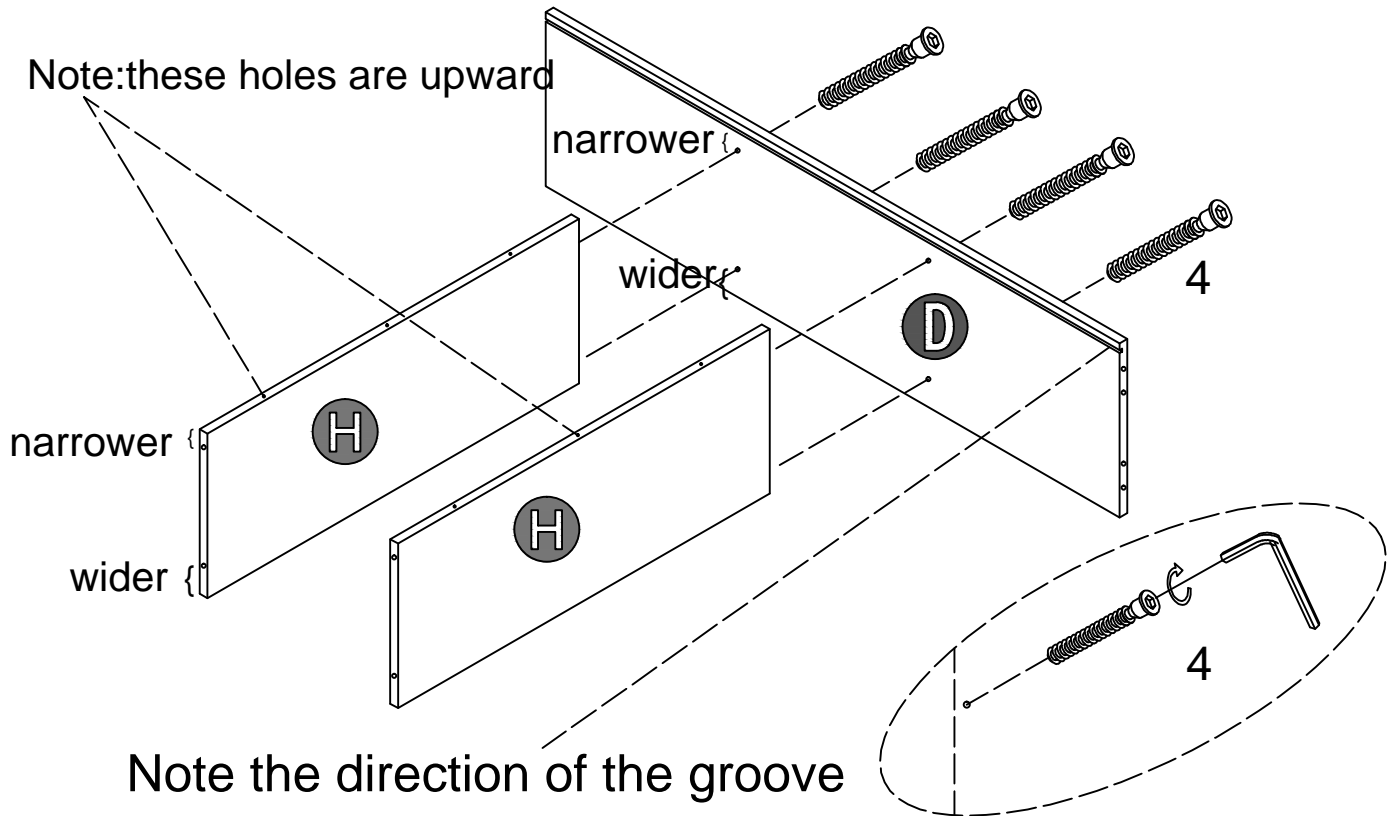


Step 1

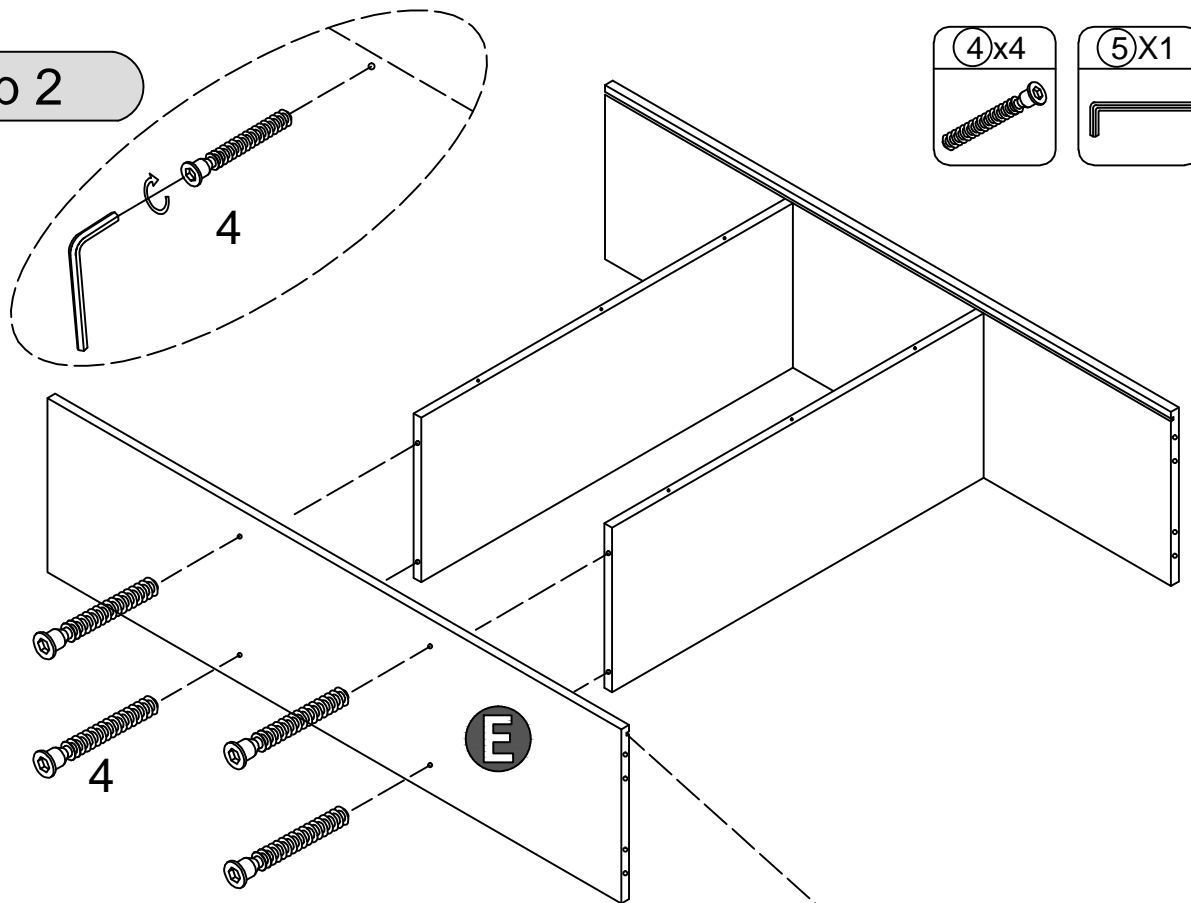
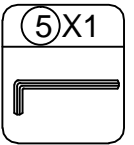
Pay attention to the distance between the mounting holes and the edge of the plate one side is wider and the other side is narrower



Note: these holes are upward



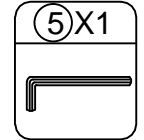
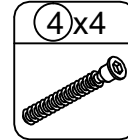
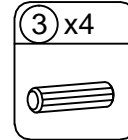
Step 2



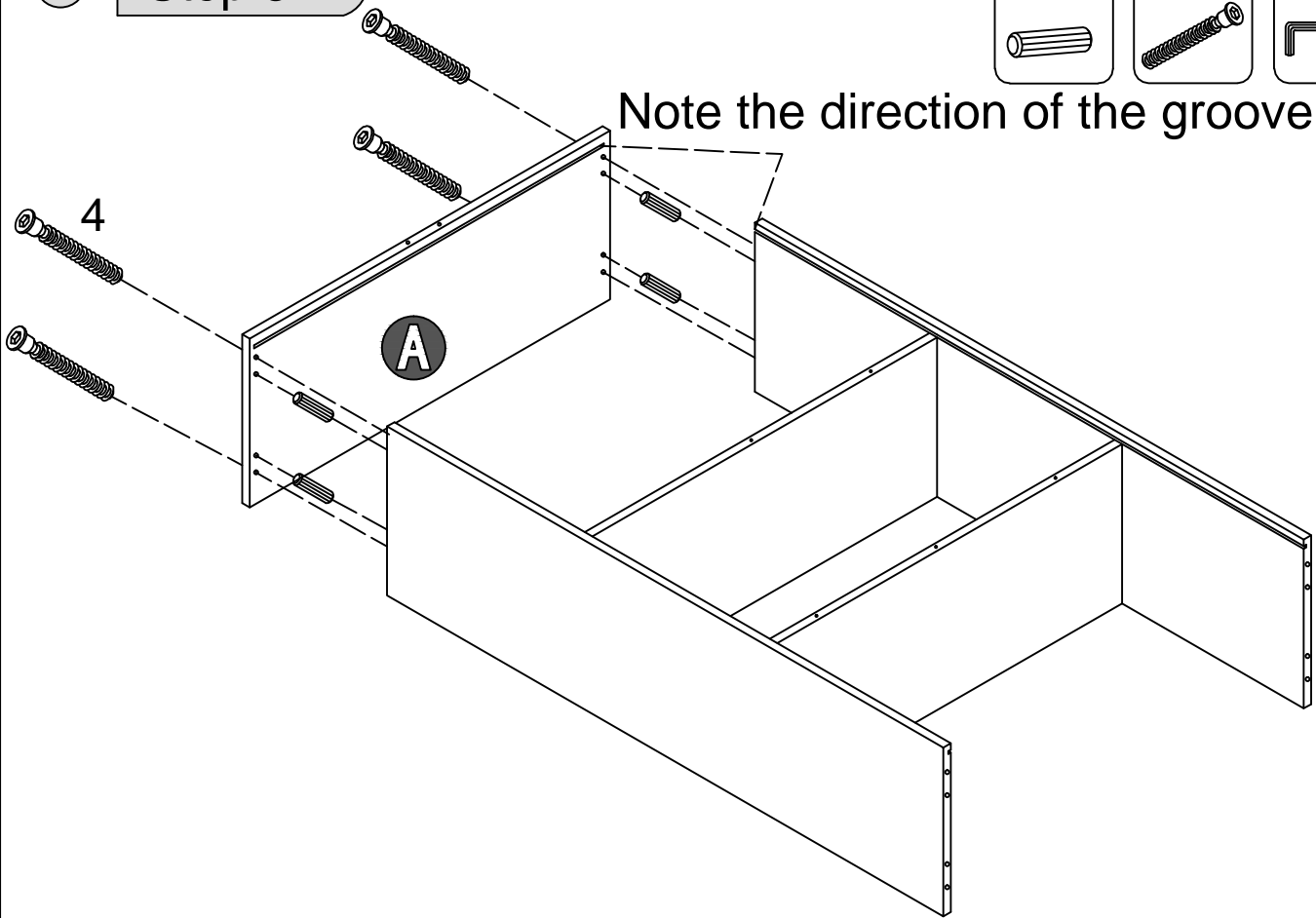
Note the direction of the groove



Step 3

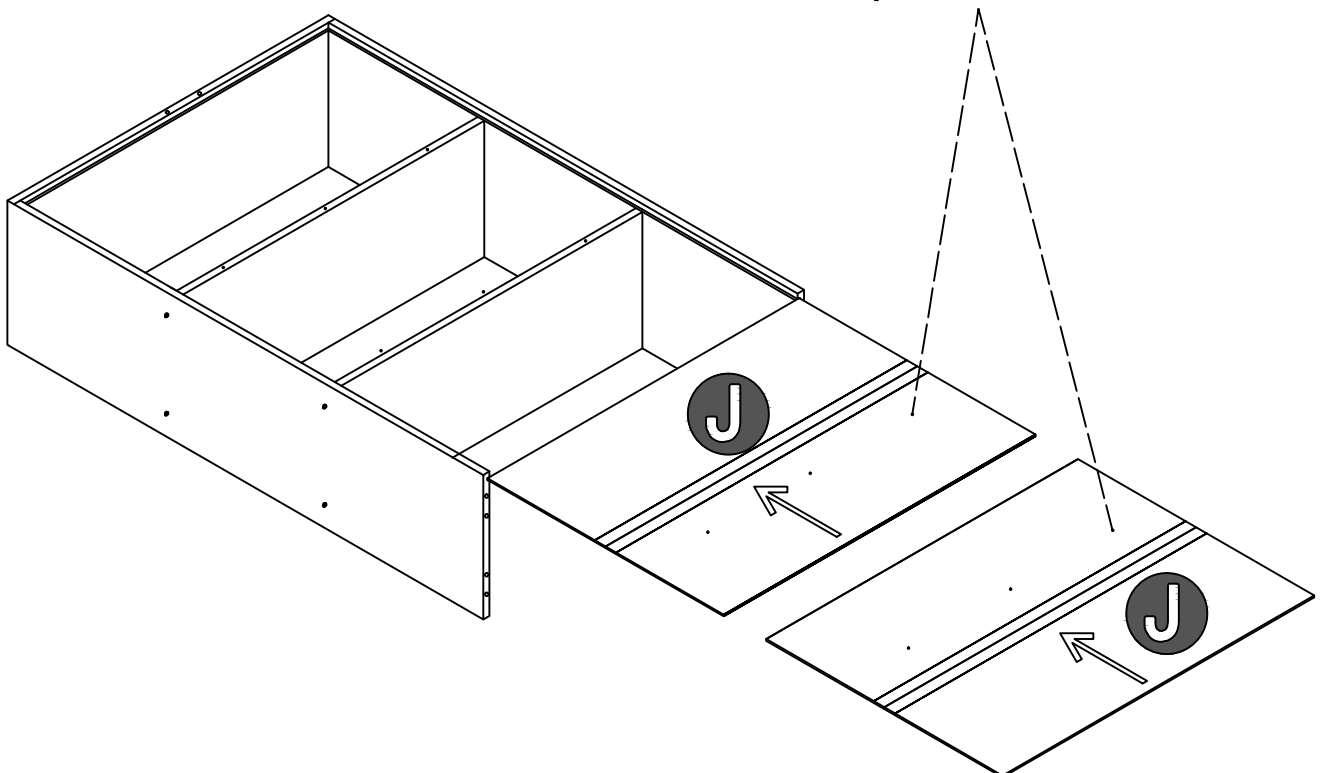


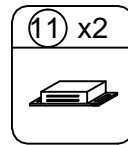
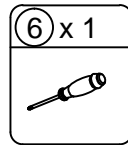
Note the direction of the groove



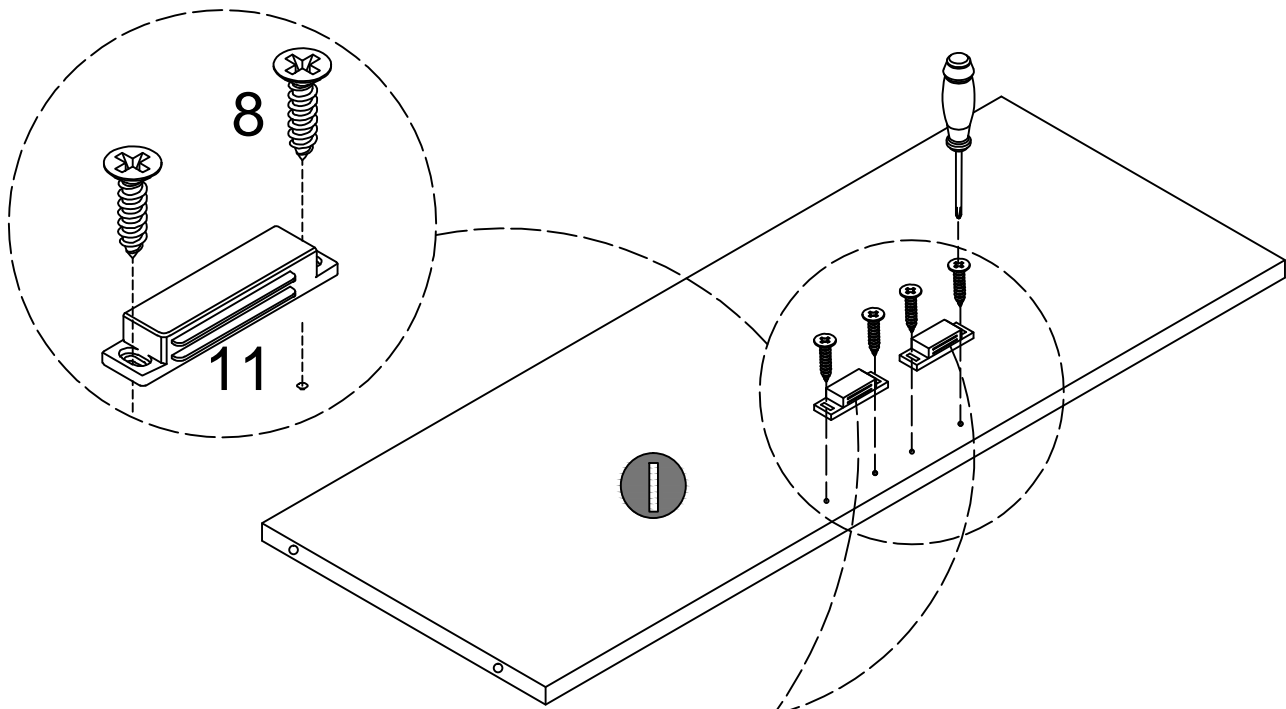
Step 4

Note: the side with tape faces outwards





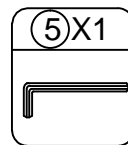
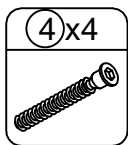
Step 7



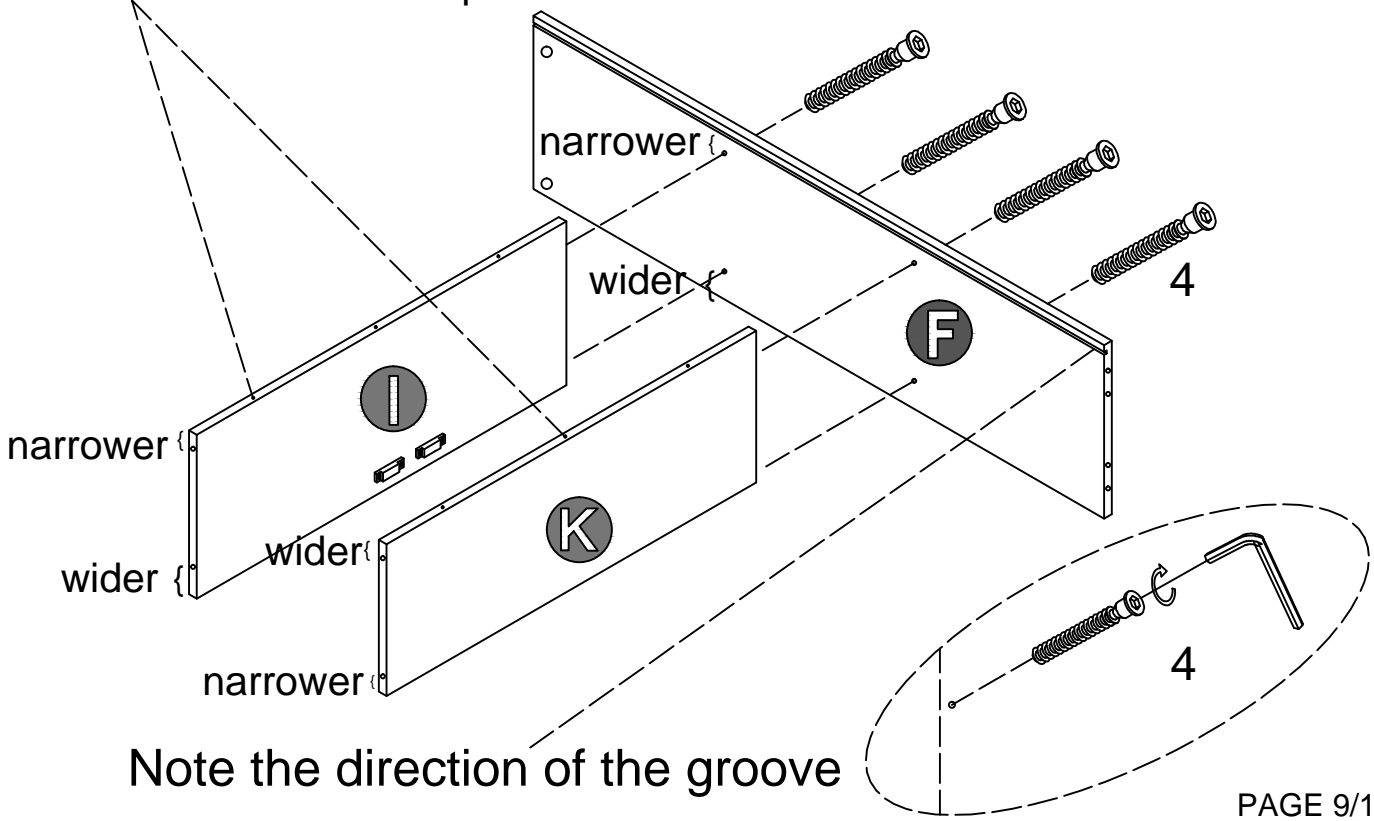
Note: the side with magnet faces outwards



Step 8



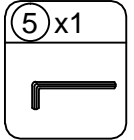
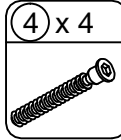
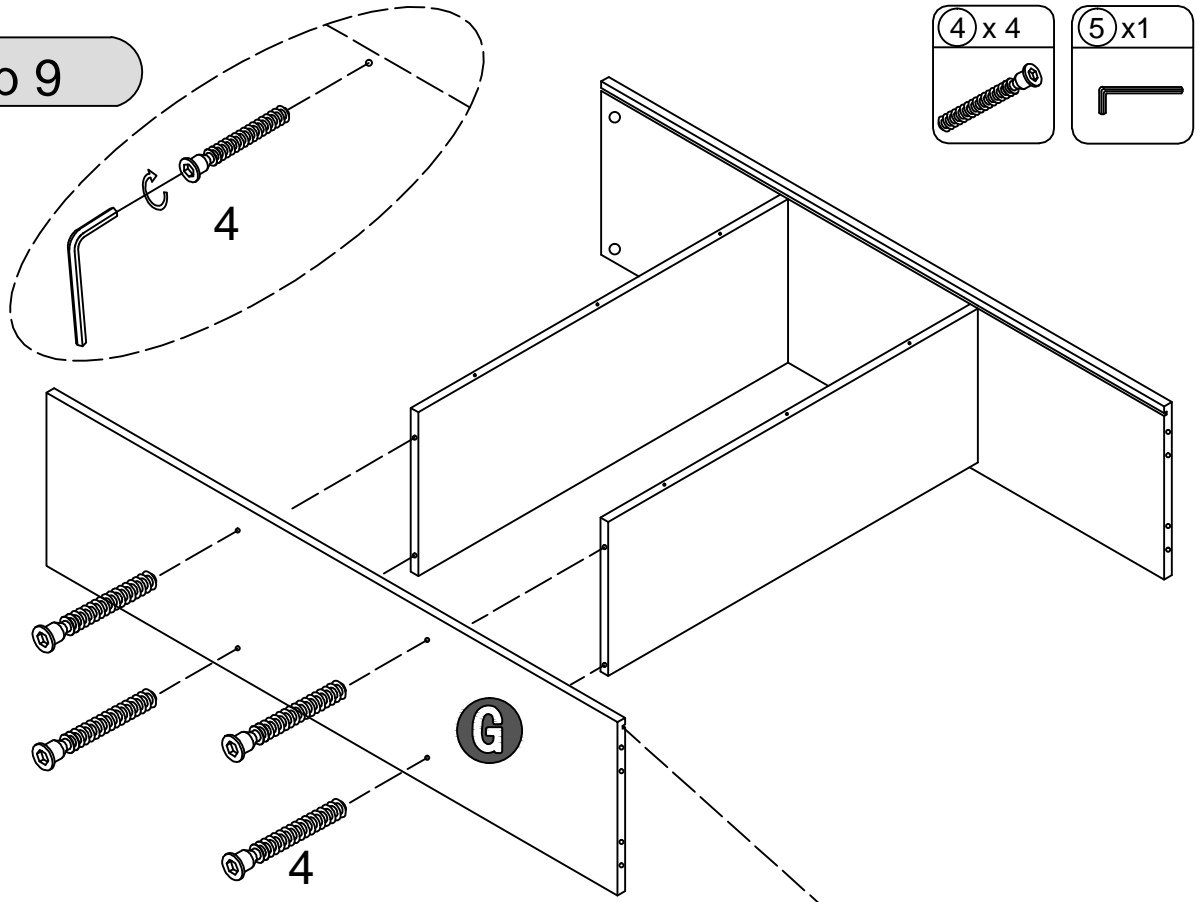
Note: these holes are upward



Note the direction of the groove



Step 9

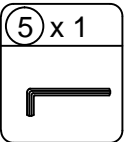
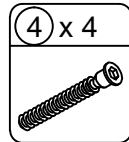
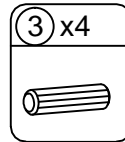
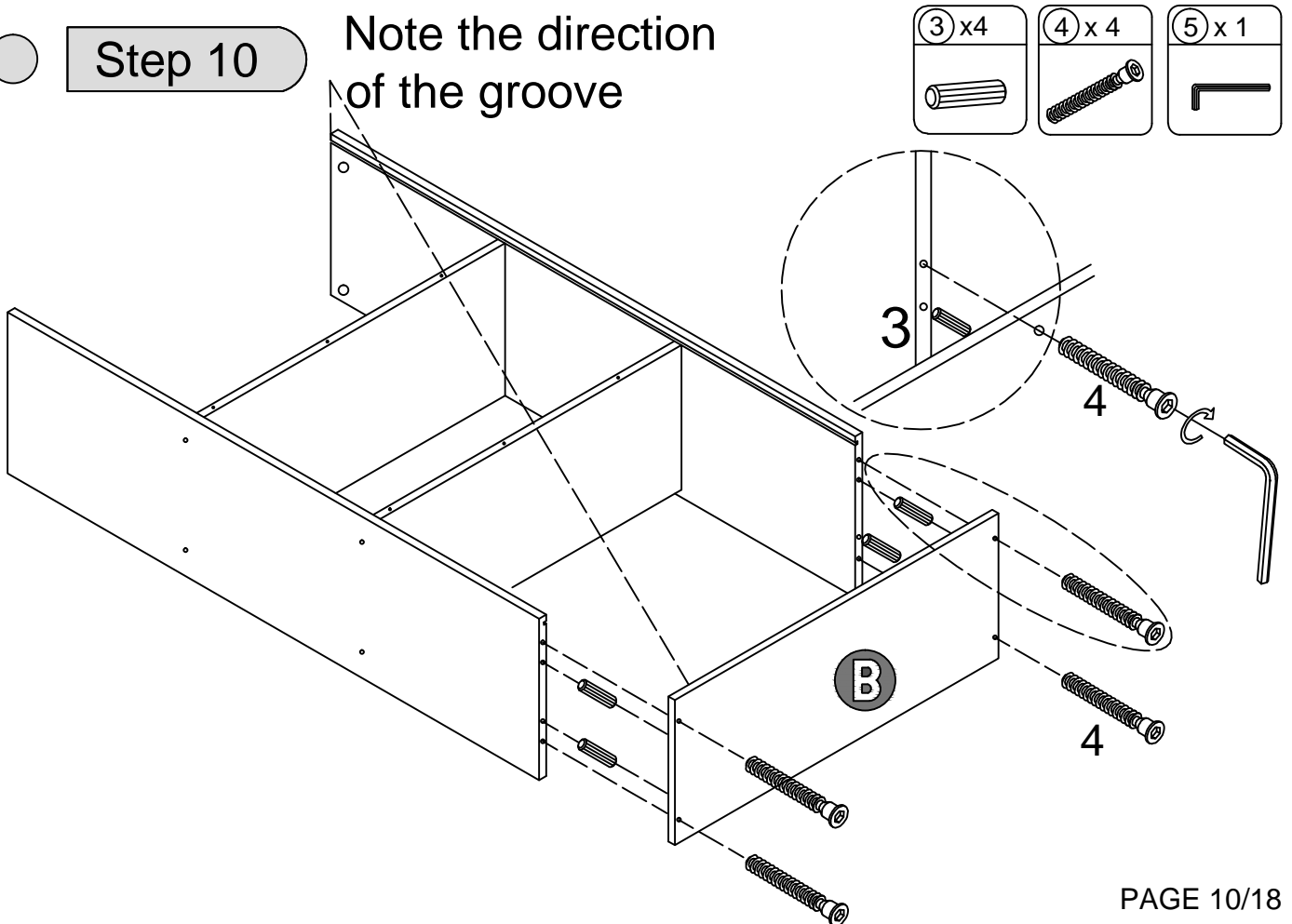


Note the direction of the groove



Step 10

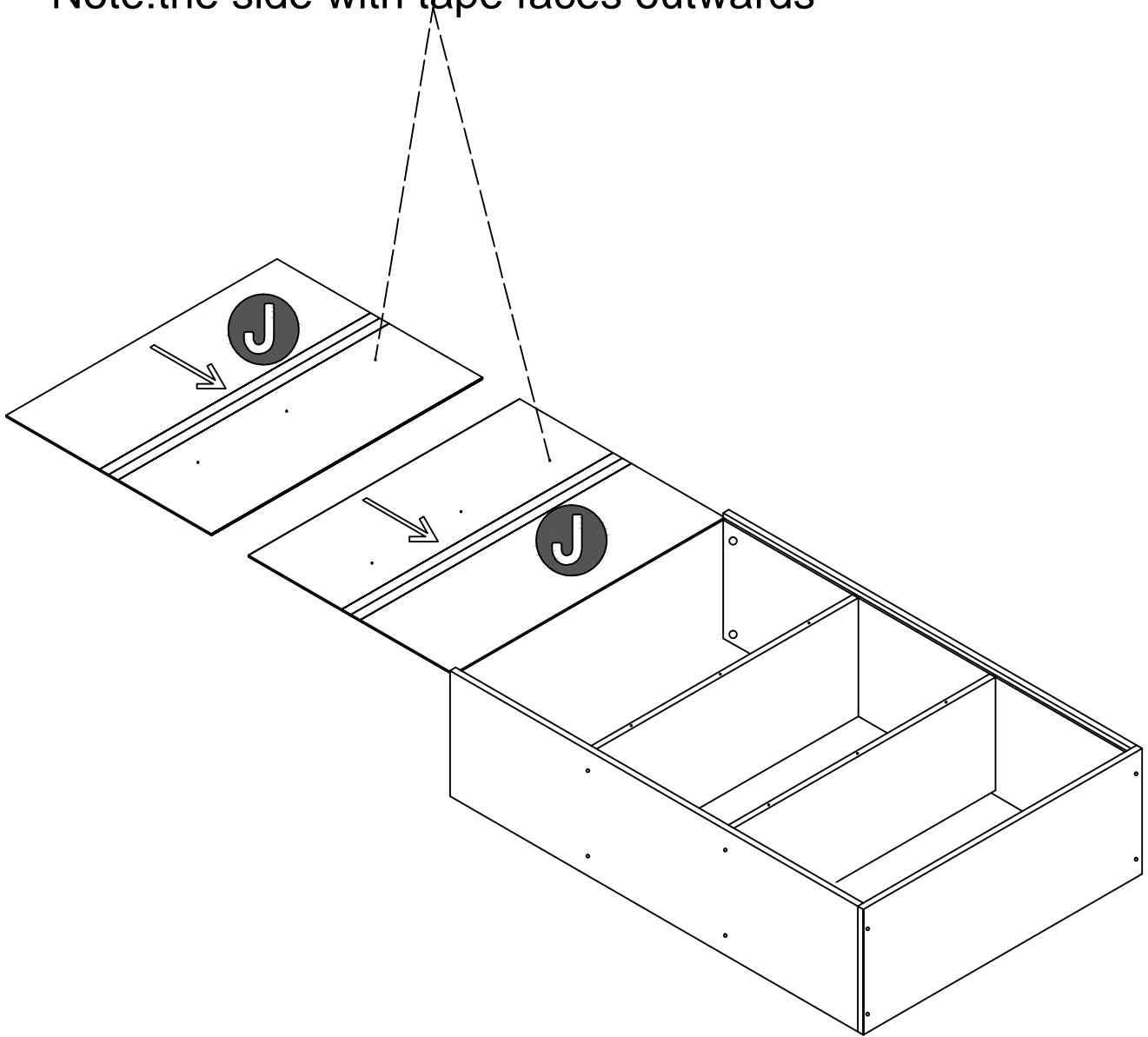
Note the direction of the groove





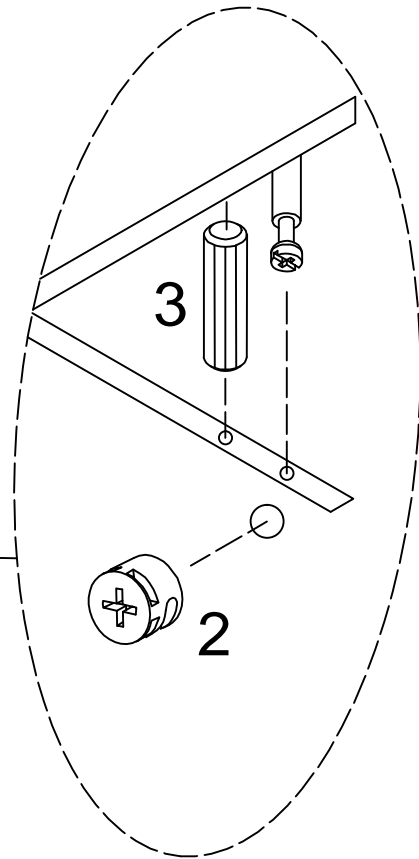
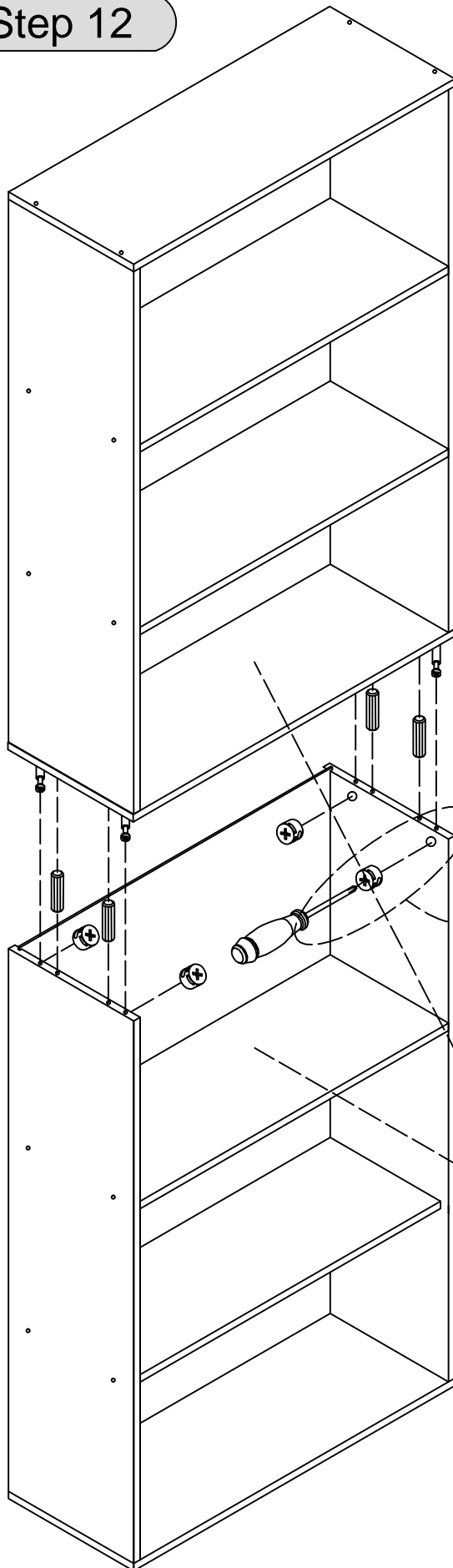
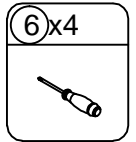
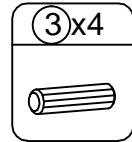
Step 11

Note: the side with tape faces outwards



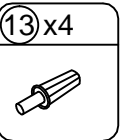
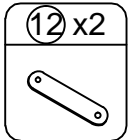


Step 12

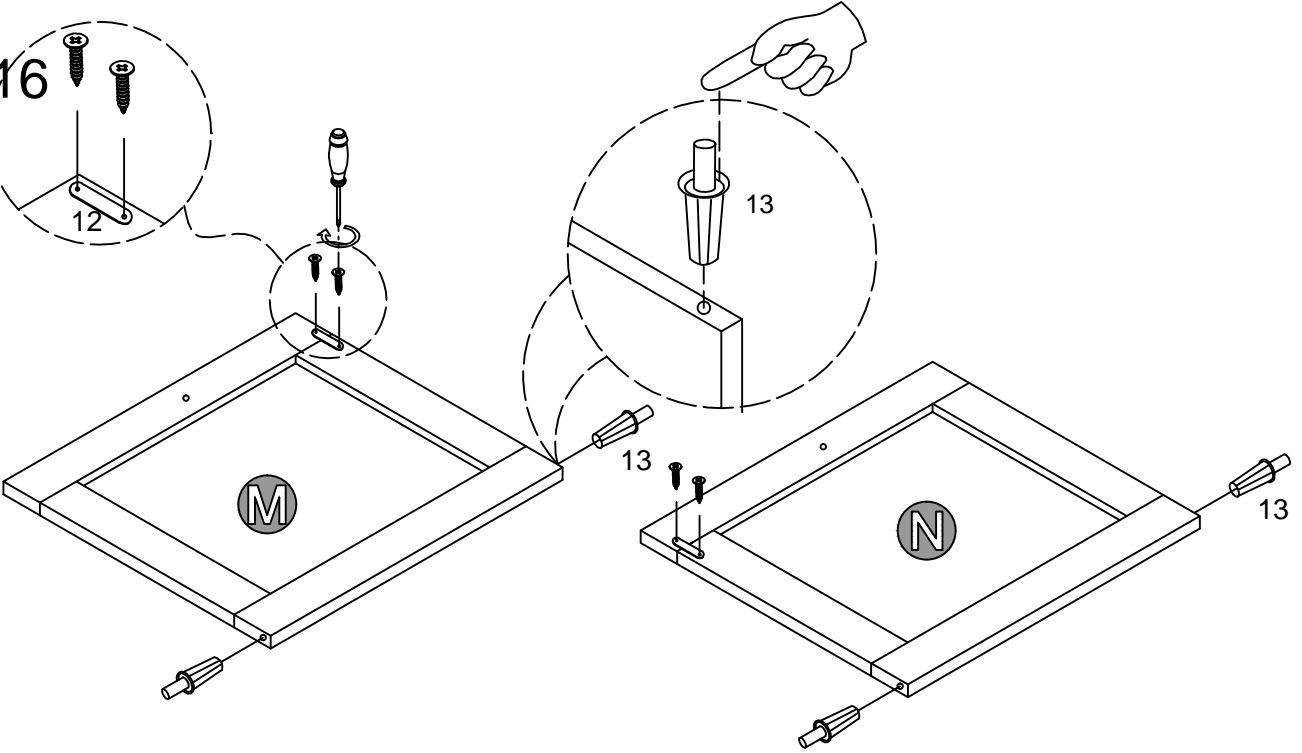
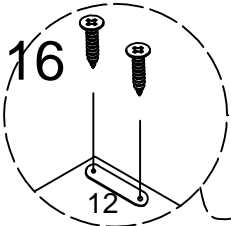


Pay attention to the direction

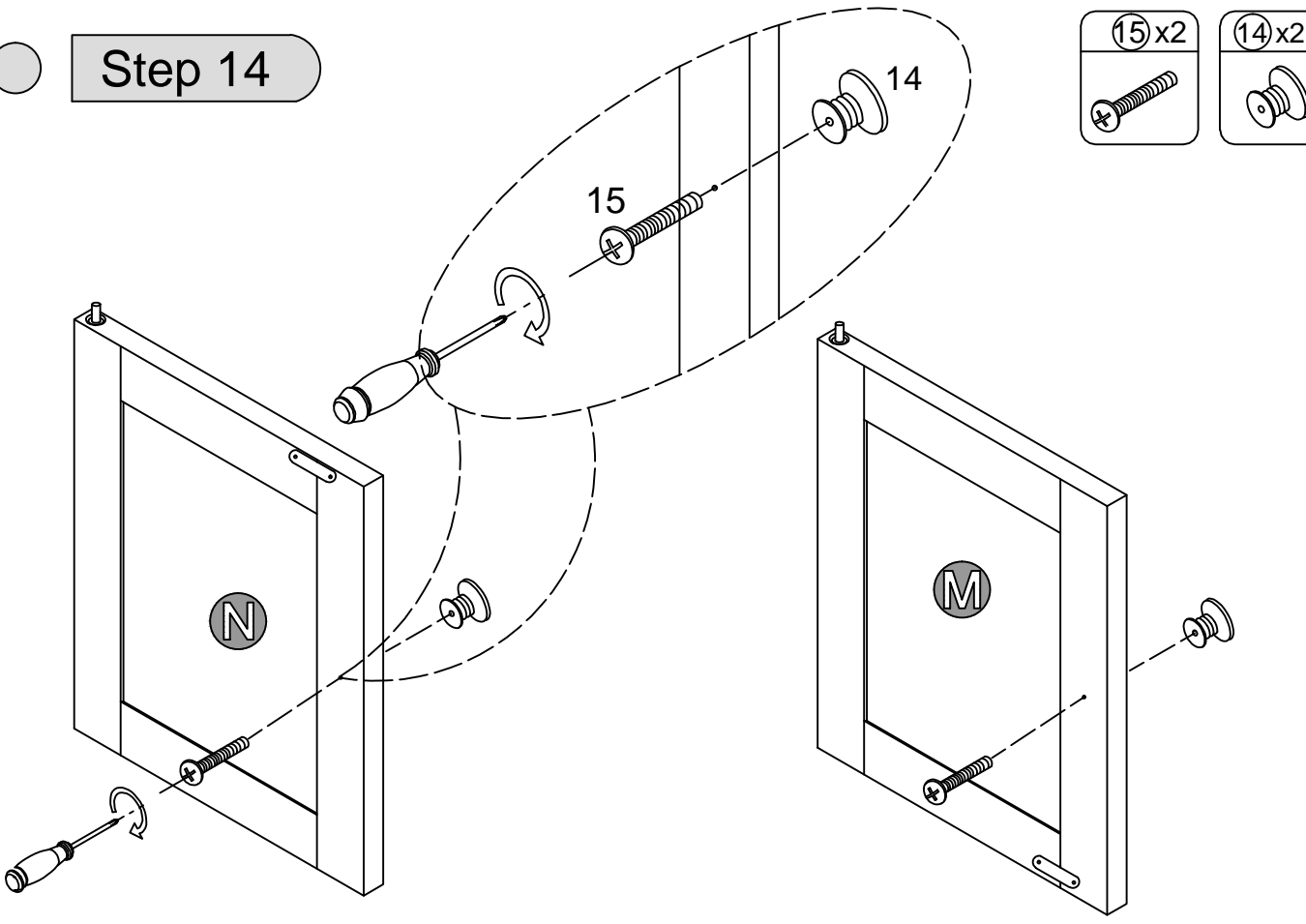
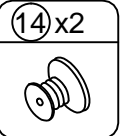
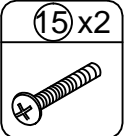
Two adults are needed to make the bookcase stand up
Be careful to prevent the bookcase from falling down and causing injuries



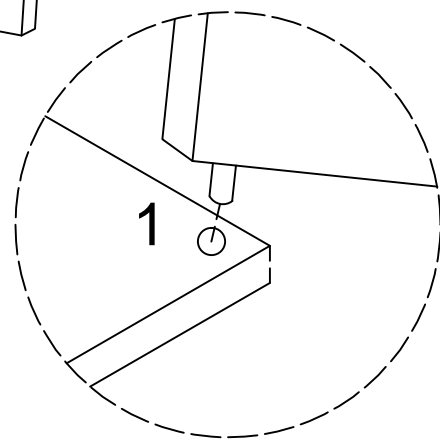
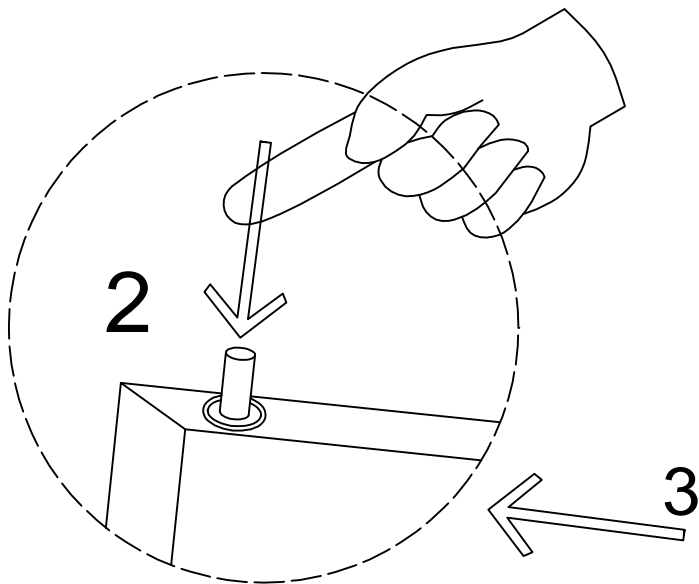
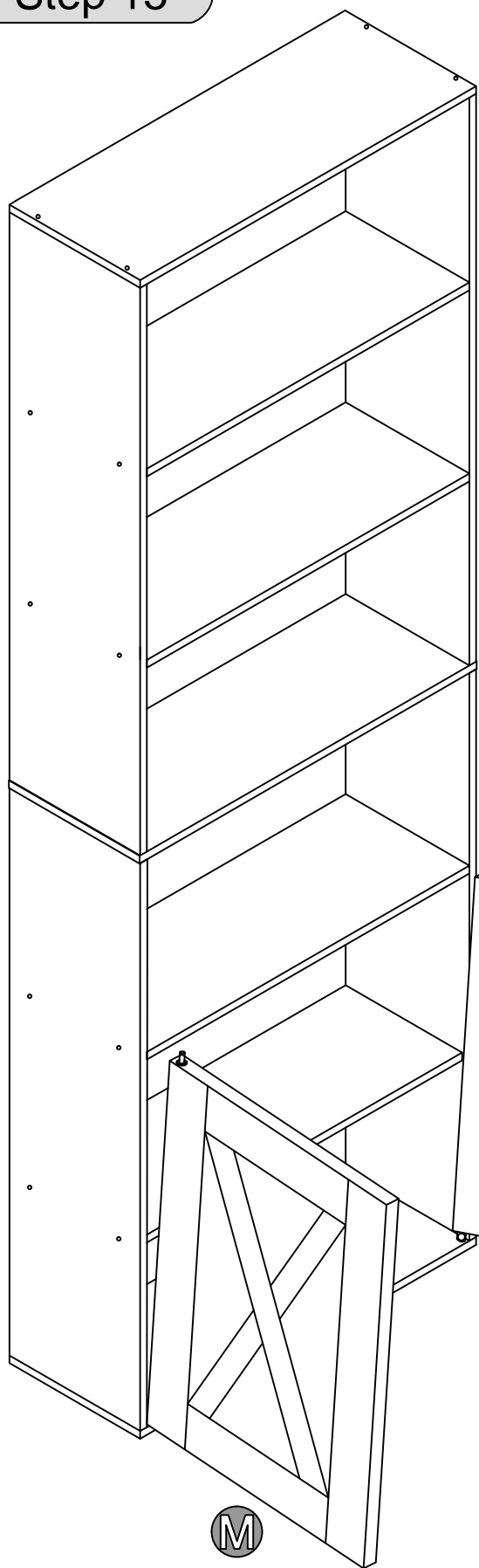
Step 13



Step 14



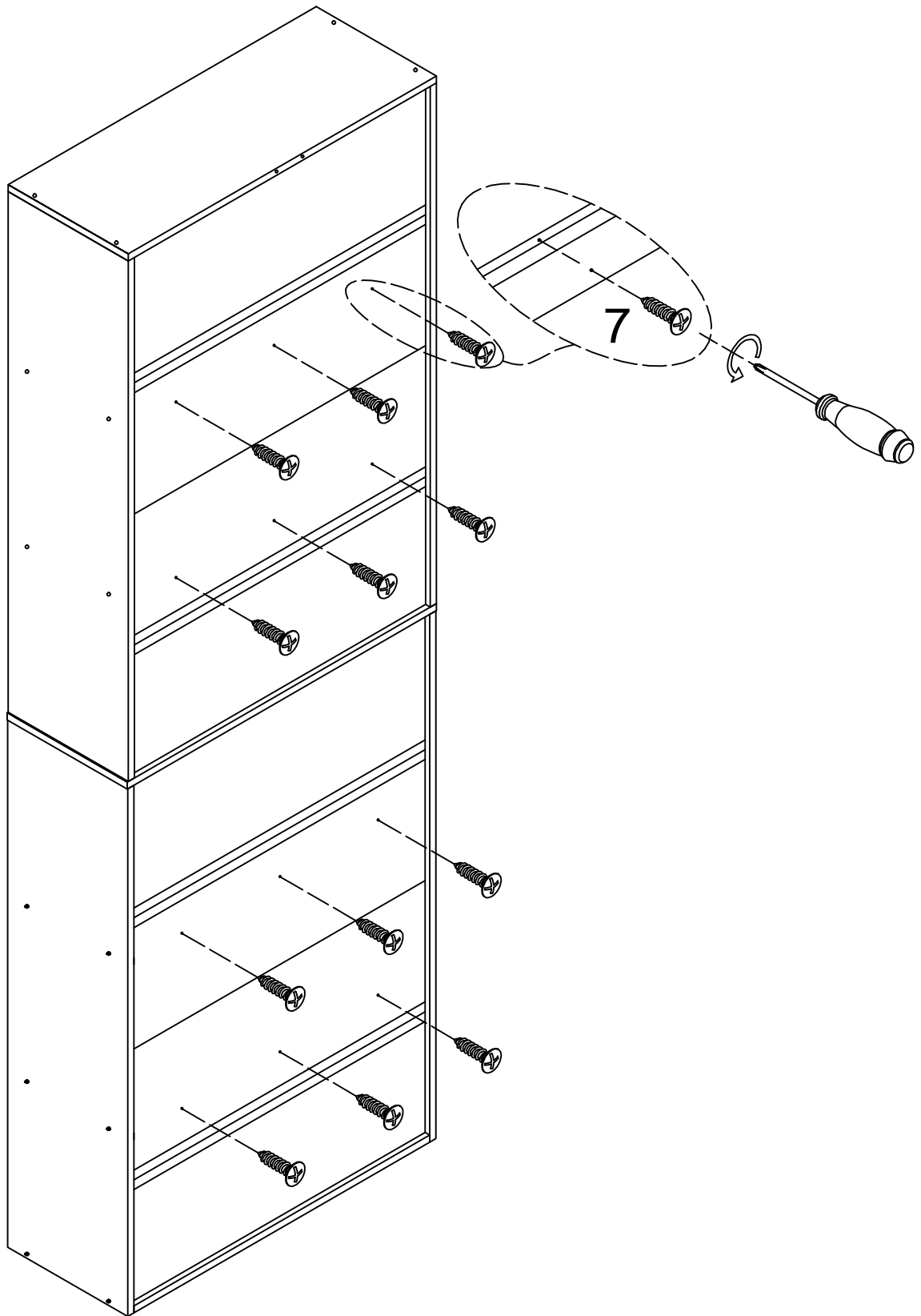
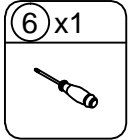
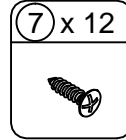
Step 15



N

M

Step 16

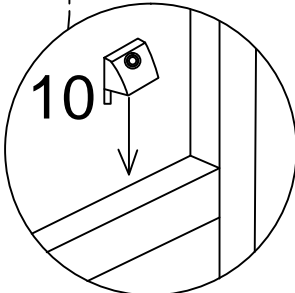
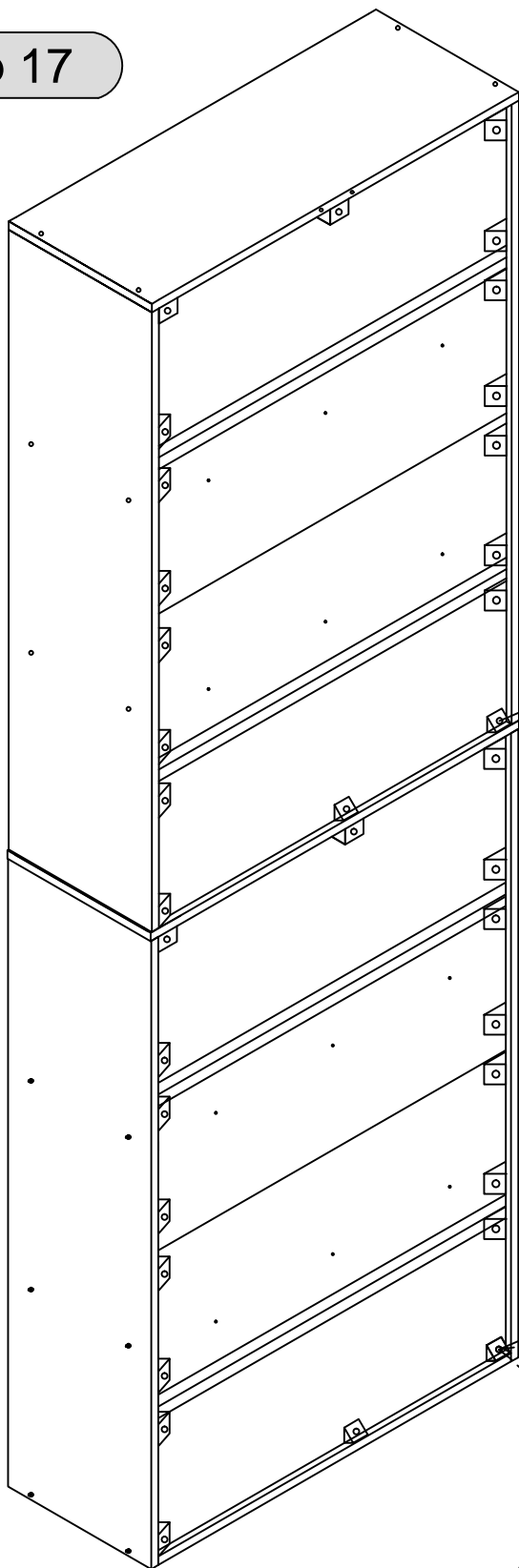


Step 17

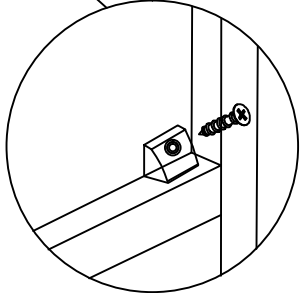
10 x 36

8 x 36

6 x 1

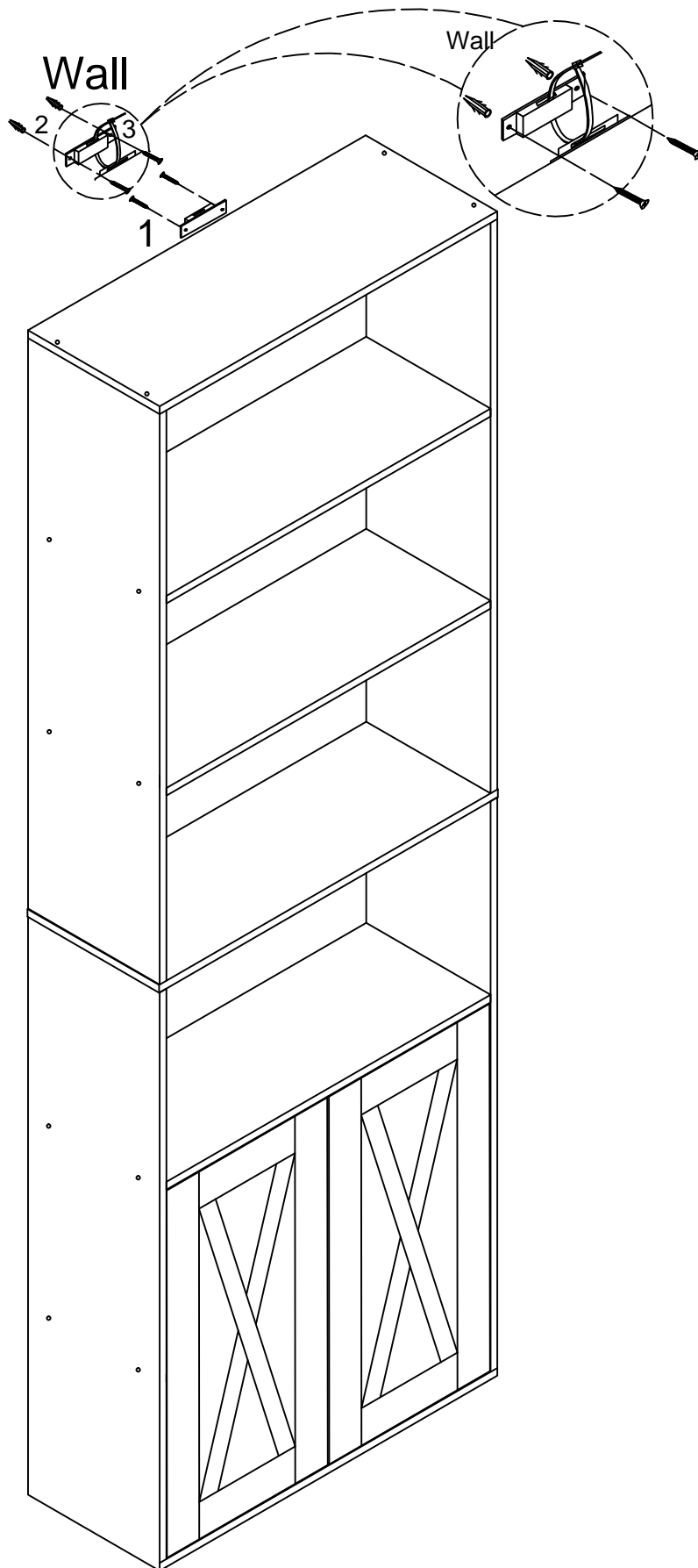
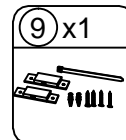
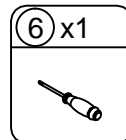


1



2

Step 18



Warning

Seller is responsible for the product-related issues occurred upon receipt, but will not be responsible for the personal injury, property damage or loss resulting from the incorrect assembly, improper use, inadequate maintenance or neglect of this product.