

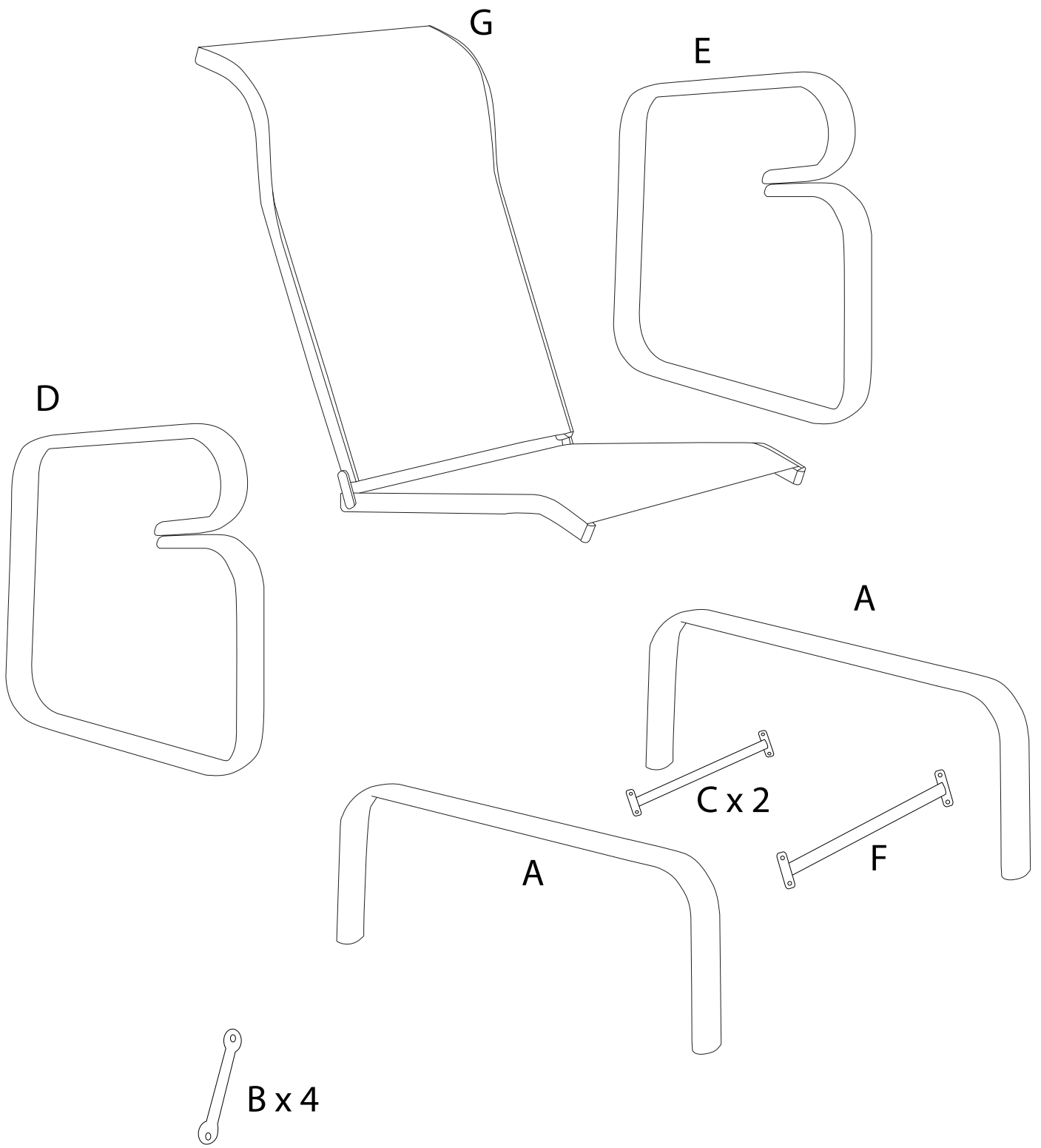
Assembly instructions for the chair, including tool requirements, time estimate, and person count.

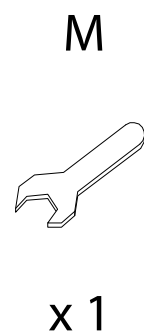
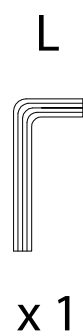
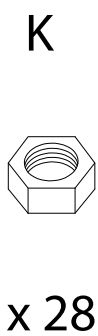
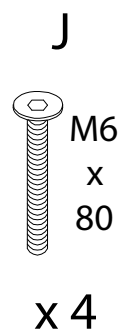
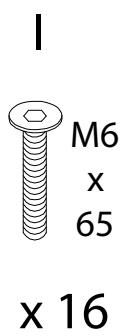
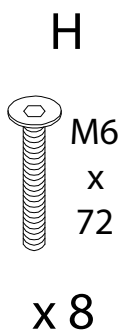
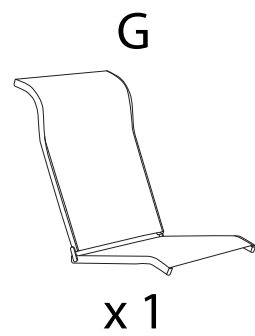
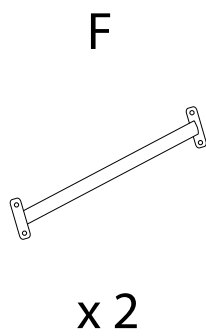
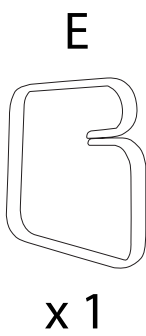
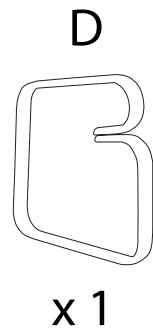
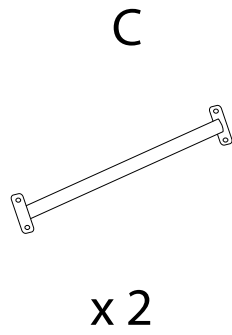
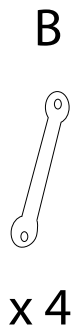
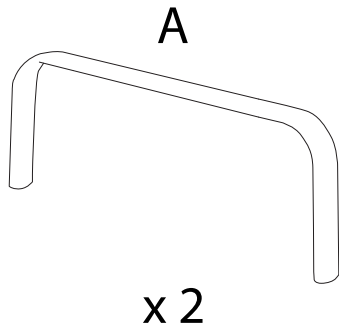
Tools: A circle containing an Allen key and a wrench, and a crossed-out power drill icon.

Time: A clock icon with the text **30'** below it.

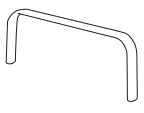

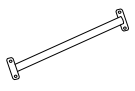
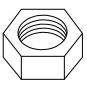
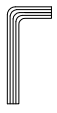
Person Count: A stick figure icon with the number **1** below it.

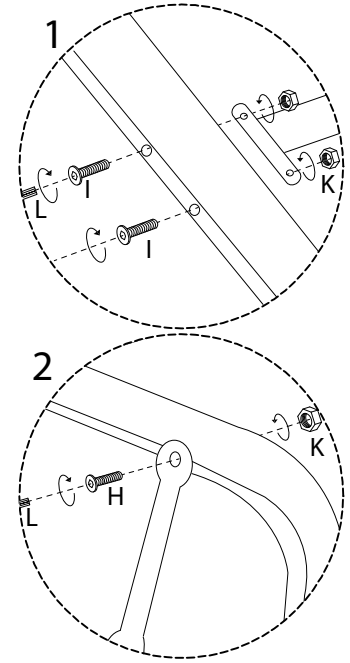
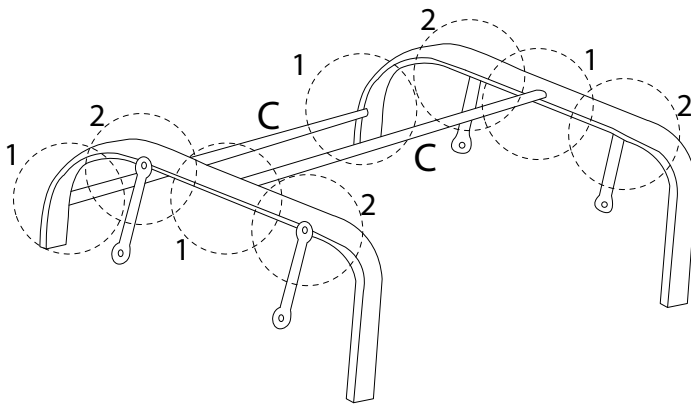
Warnings: Two warning triangles (exclamation marks in triangles) are positioned between the tool and time icons, and between the tool and person count icons.





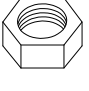
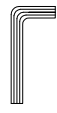
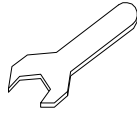


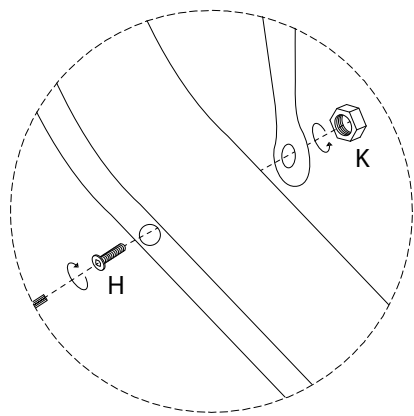
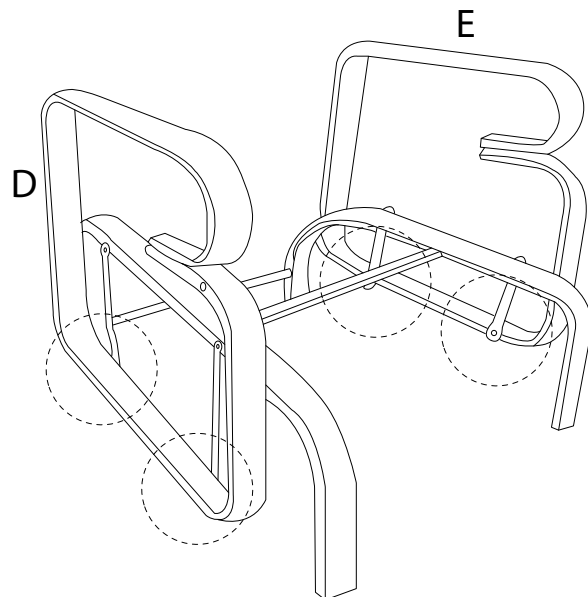
1

A  x 2	B  x 4	C  x 2	H M6 x 72 x 4	I M6 x 65 x 8	K  x 12	L  x 1
--	--	--	----------------------------------	----------------------------------	---	--


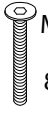
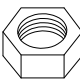
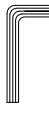
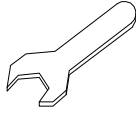


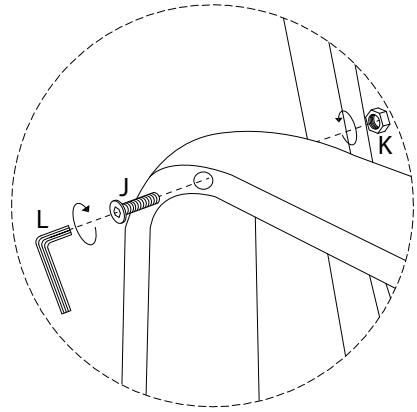
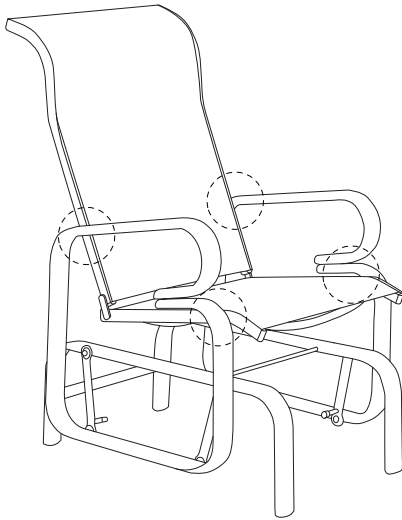
2

D  x 1	E  x 1	H M6 x 72 x 4	K  x 4	L  x 1	M  x 1
--	--	----------------------------------	---	--	--

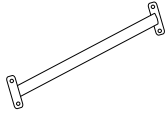
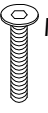
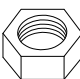
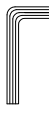
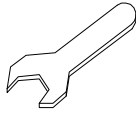


3

G  x 1	J  M6 x 80 x 4	K  x 4	L  x 1	M  x 1
--	---	--	--	--



4

F  x 2	I  M6 x 65 x 8	K  x 8	L  x 1	M  x 1
--	---	--	--	--

