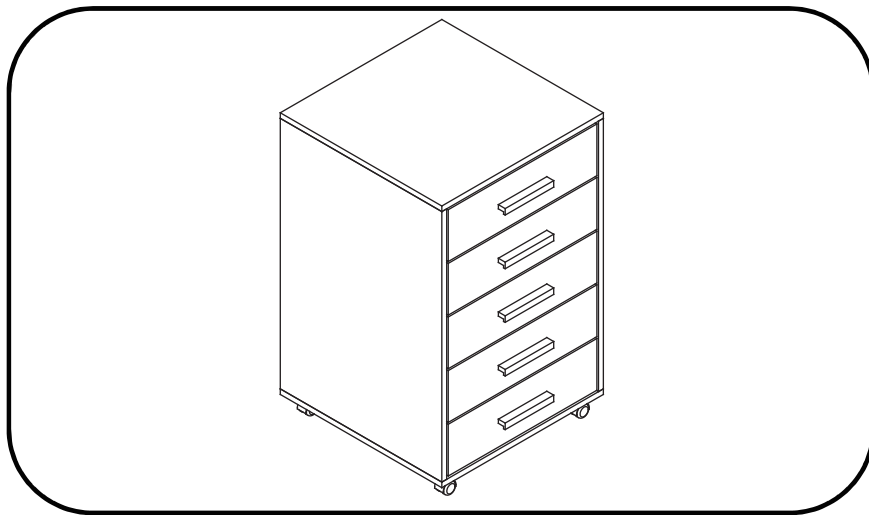


# 5 Drawer Cabinet



## Assembly Instructions

Product Dimensions:  
23.03"L×4.45"D×15.75"H

Please take a moment to read through the entire instruction booklet before assembly to familiarize yourself with this product. Once you feel ready to start, follow the instructions step by step and this should make this process as easy as we could make it for you.

# WARNING CAUTION

## ADULT ASSEMBLY REQUIRED CHOKING HAZARD

- This product includes small parts, sharp points and sharp edges in its unassembled state. Keep unassembled parts away from children under 3 years of age, and animals.

## SAFETY WARNINGS

- Follow the information on the warnings appearing on cabinet and on the carton. Do not remove warning label from cabinet.
- Do not allow children under 3 years of age to use the cabinet.
- Do not use substitute parts. Contact the manufacturer or dealer for replacement parts.

## FURNITURE TIP-OVER HAZARD

### Children have died from furniture tip-over

To reduce the risk of furniture tip-over:

- ALWAYS install tip-over restraint especially if used by a wall or in the open.
- NEVER put a TV on this product
- NEVER allow children to stand, climb or hang on drawers, doors, or shelves.
- NEVER open more than one drawer at a time.
- ALWAYS place heaviest items in lowest of cabinet.

## PARENTAL SUPERVISION IS REQUIRED

- Parents or Guardians should supervise use under the intended age specifically regarding children that may have access to it and climb on the unit.
- Do not allow horseplay on, under, or behind the unit and prohibit jumping on the cabinet.
- If used improperly, your table may be pulled over or fall, creating risk of injury or damage. Children should not be permitted to climb or pull on the cabinet.

## USE, MAINTENANCE & ASSEMBLY

- Periodically check and ensure that the components are in their proper position, free from damage, and that all connectors are tight.
- Use on level surfaces only. Assemble on a soft level surface to avoid damage to unit or floor.
- Do not use this item if any components are missing or damaged.
- Do not use substitute parts. Contact the manufacturer or dealer for replacement parts.
- Only clean using damp cloth and mild detergent, do not use bleach or abrasive cleaners.
- Check you have all components and tools listed on page 4
- Do not stand or put weight on this product during assembly, this could cause damage.
- Remove all hardware from the plastic bags and separate them into groups.
- Assemble the item as close to its final position (in the same room) as possible.
- Certain assembly steps may be easier with 2 people.
- Dispose of all packaging carefully and responsibly.
- We do not recommend power screwdrivers. Only use hand screwdrivers to prevent damage to unit.

## Keep these instructions for future reference

### Enfants morts suite au basculement d'un meuble.

Afin de limiter le risque de basculement de meuble:

- TOUJOURS utiliser les fixations anti-basculement.
- NE JAMAIS installer de TV sur ce produit.
- NE JAMAIS laisser d'enfants se tenir debout sur les tiroirs, portes ou étagères, y grimper ou s'y suspendre.
- NE JAMAIS ouvrir plus d'un tiroir à la fois.
- TOUJOURS placer les choses les plus lourdes dans les tiroirs du bas.

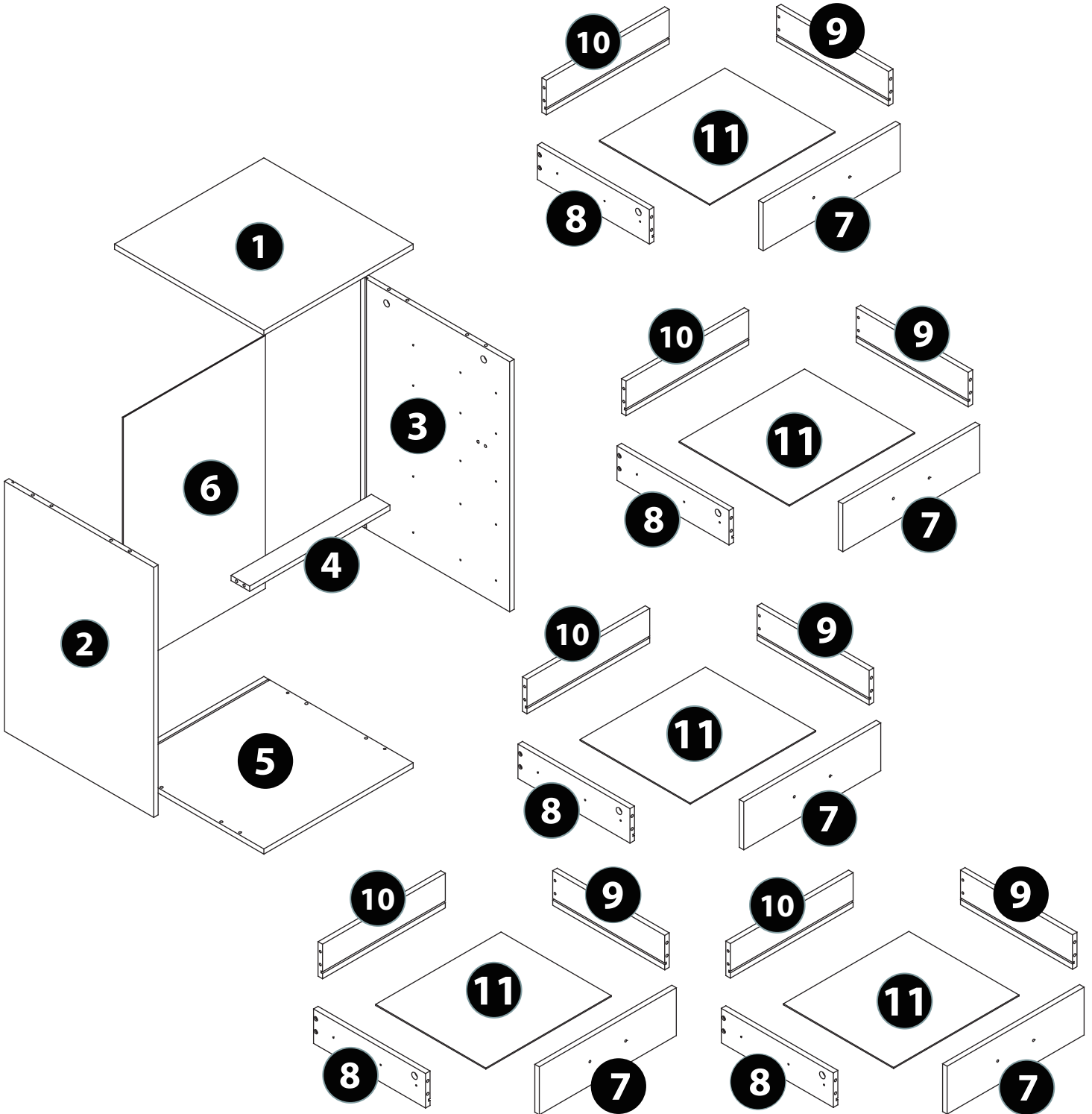
### Han muerto niños por el vuelco de muebles.

Para limitar el riesgo de vuelco de los muebles:

- Utilizar SIEMPRE las fijaciones antivuelco que suministran.
- NUNCA instalar un TV sobre este producto.
- NUNCA permitir que los niños se pongan de pie, trepen o se cuelguen de los cajones, puertas o baldas.
- NUNCA abrir más de un cajón a la vez.
- Colocar los objetos más pesados en los cajones inferiores.

# ASSEMBLY AT A GLANCE

Please take a moment to read through the whole instruction booklet before assembly to familiarize yourself with this product. Once you feel ready to start, follow the instructions step by step and this should make this process as easy as we could make it for you.

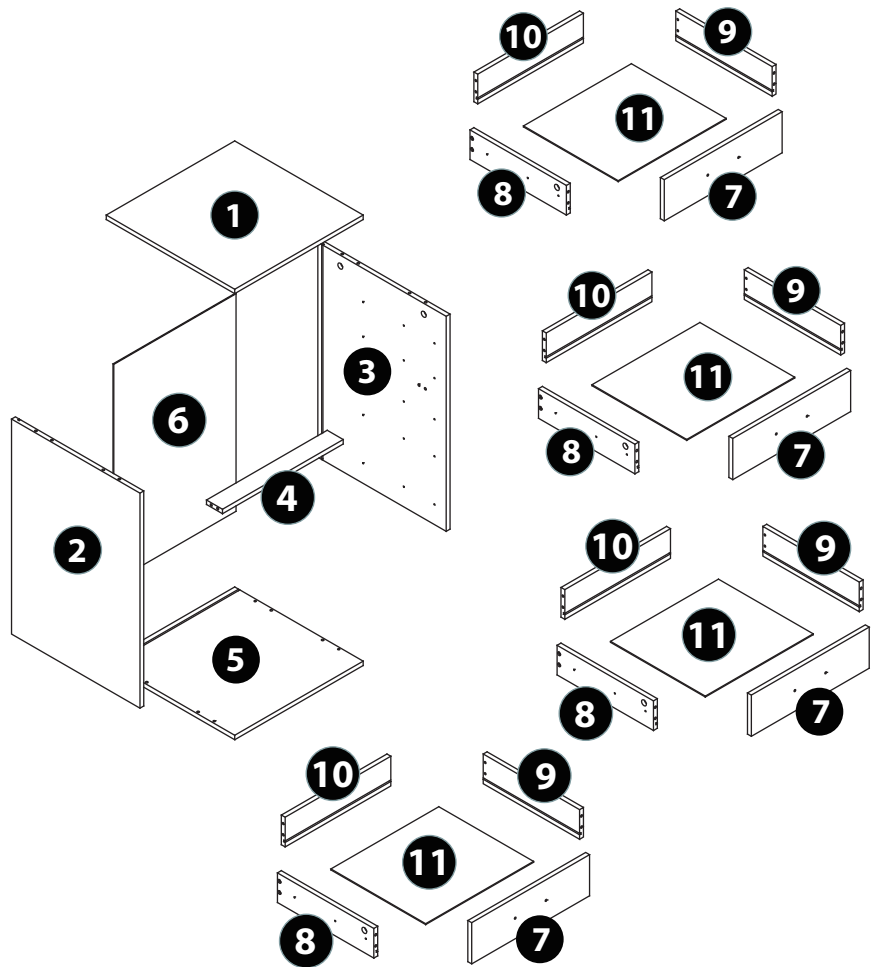


This drawing is to give you an overall idea only of how this assembly will go together and does not replace the assembly instructions.

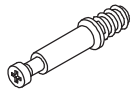

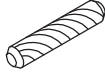


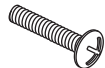

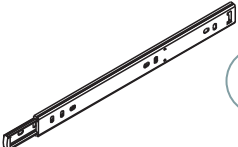





# COMPONENT PARTS

Please check that you have all the parts listed below

- 1. Top Panel x1
- 2. Left Panel x1
- 3. Right Panel x1
- 4. Support Panel x1
- 5. Bottom Panel x1
- 6. Back Panel x1
- 7. Drawer Front Panel x5
- 8. Drawer Left Panel x5
- 9. Drawer Right Panel x5
- 10. Drawer Back Panel x5
- 11. Drawer Bottom Panel x5



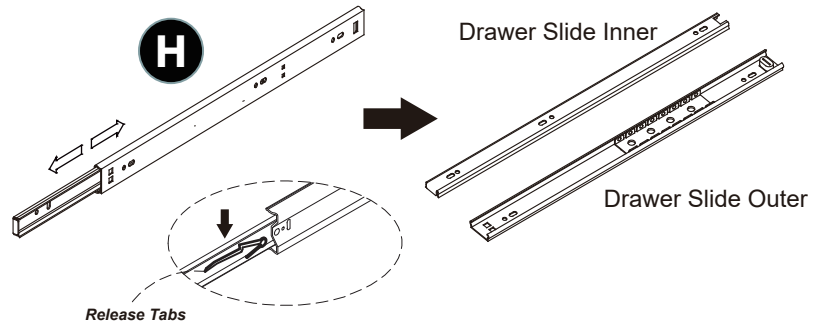
## ASSEMBLY HARDWARE

- |          |                                                                                     |          |                                                                                     |          |                                                                                       |          |                                                                                       |          |                                                                                       |
|----------|-------------------------------------------------------------------------------------|----------|-------------------------------------------------------------------------------------|----------|---------------------------------------------------------------------------------------|----------|---------------------------------------------------------------------------------------|----------|---------------------------------------------------------------------------------------|
| <b>A</b> |  | <b>B</b> |  | <b>C</b> |    | <b>D</b> |  | <b>E</b> |  |
|          | Cam Bolt x16                                                                        |          | Cam Lock x16                                                                        |          | Wood Dowel Pin x20                                                                    |          | Screw x60                                                                             |          | Screw x24                                                                             |
| <b>F</b> |  | <b>G</b> |  | <b>H</b> |   | <b>I</b> |  | <b>J</b> |  |
|          | Bolt x10                                                                            |          | Drawer Handle x5                                                                    |          | Drawer Slide x10                                                                      |          | Screw x16                                                                             |          | Front Wheel x2                                                                        |
| <b>K</b> |  | <b>L</b> |  | <b>M</b> |  |          |                                                                                       |          |                                                                                       |
|          | Rear Wheel x2                                                                       |          |                                                                                     |          | Screw x6                                                                              |          |                                                                                       |          |                                                                                       |

# ASSEMBLY HARDWARE

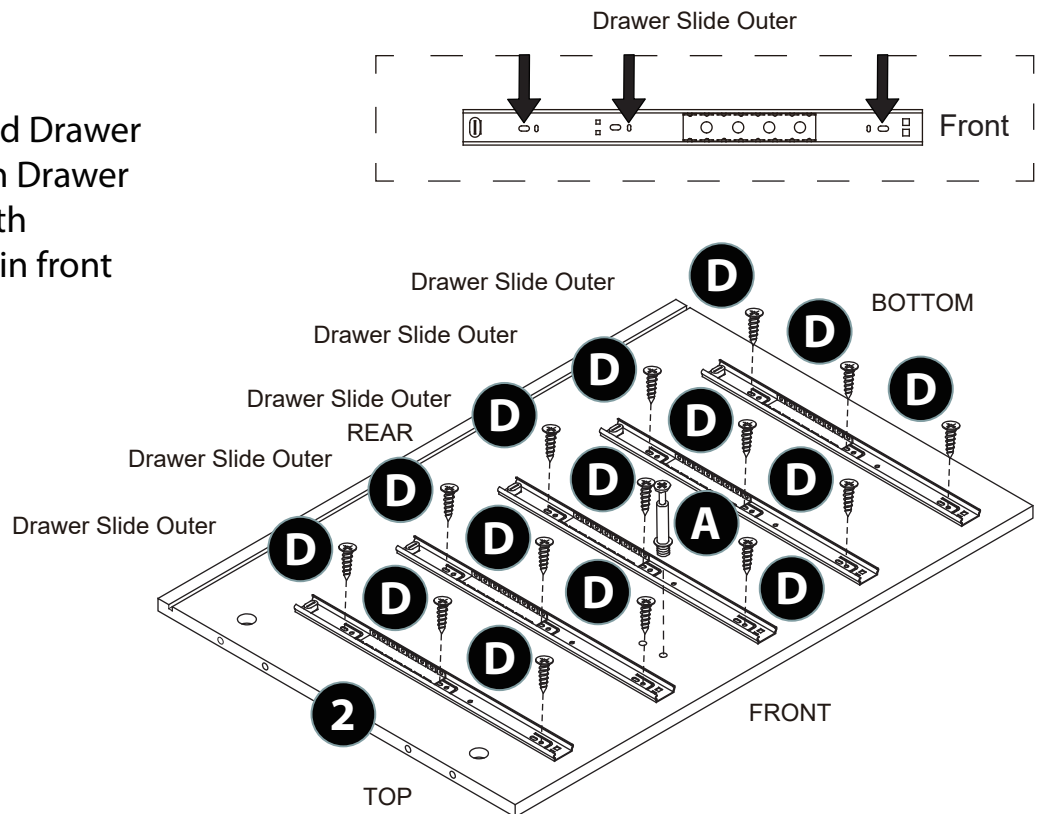
1

Select H (×10) .Divide H(×10) into Drawer Slide Inner(×10) and Drawer Slide Outer(×10).



2

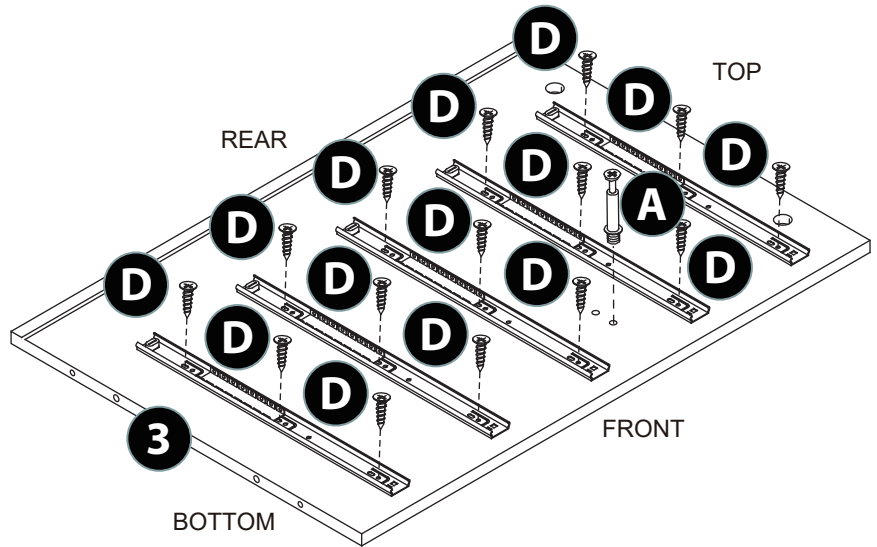
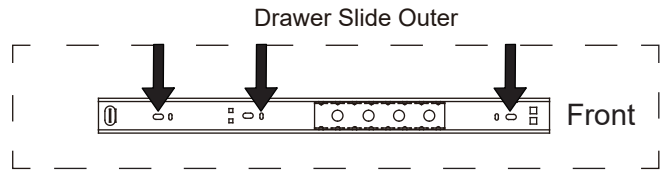
Select 2(×1), D(×15) and Drawer Slide Outer (×5). Attach Drawer Slide Outer(×5) to 2 with D(×15).Screw cambolt in front middle hole.



# ASSEMBLY INSTRUCTIONS

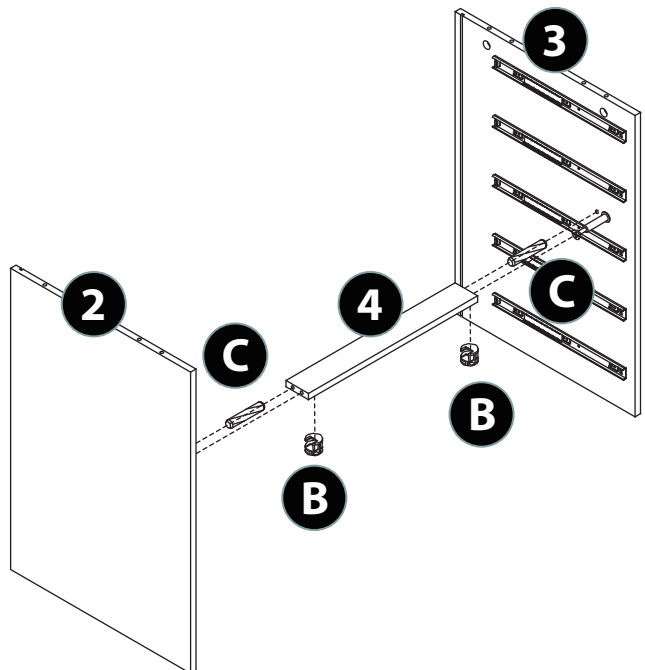
**3**

Select 3(×1), D(×15) and Drawer Slide Outer (×5). Insert Drawer Slide Outer(×5) into 3 with D(×15). Screw cambolt in front middle hole.



**4**

Select 4(×1), B(×2) and C(×2). Insert 4(×1) into 2 and 3 with C(×2). Install B(×2) into 4.

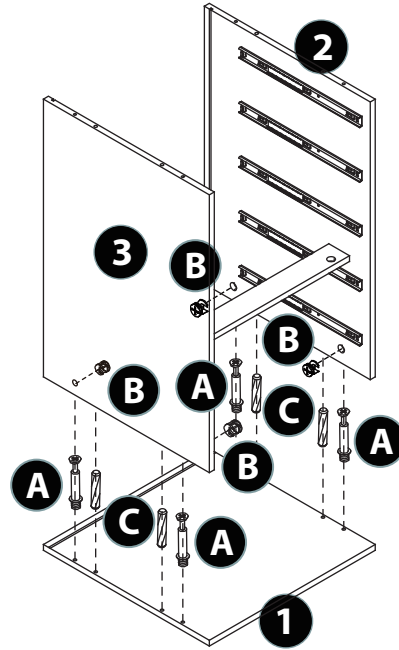


# ASSEMBLY INSTRUCTIONS

**5**

Select 1(x1), A(x4), B(x4) and C(x4).

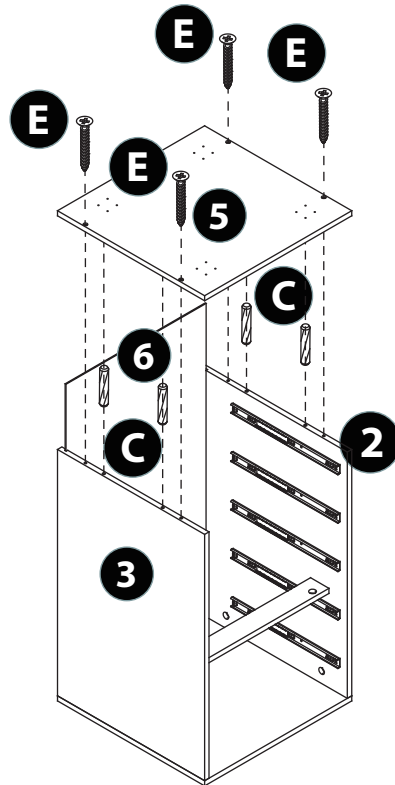
Insert B(x2) into 3. Repeat for B(x2) into 2. Install 3 into 1 with A(x2) and C(x2). Repeat for 2 into 1.



**6**

Select 5(x1), 6(x1), C(x4) and E(x1).

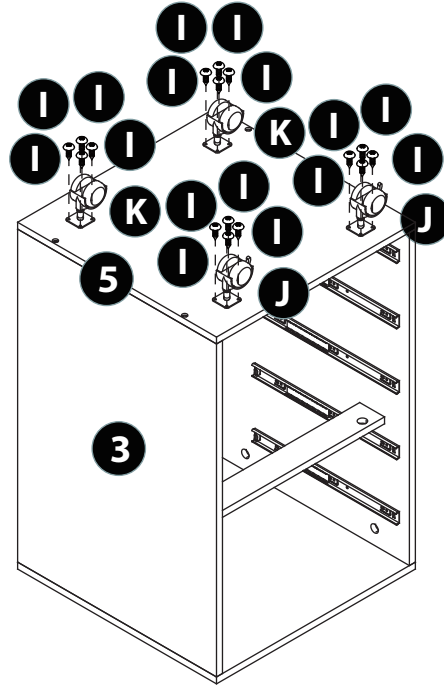
Install 6 along the grooves of 2 and 3. Insert 5(x1) into 2 and 3 with C(x4) and E(x4).



# ASSEMBLY INSTRUCTIONS

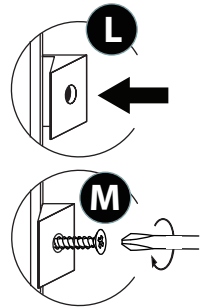
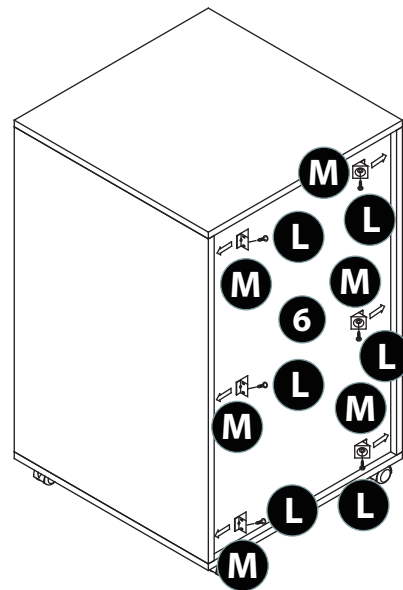
7

Select I( $\times 16$ ), J( $\times 2$ ) and K( $\times 2$ ).  
Insert K( $\times 2$ ) into 5 with I( $\times 8$ ).  
Repeat for J( $\times 2$ ).



8

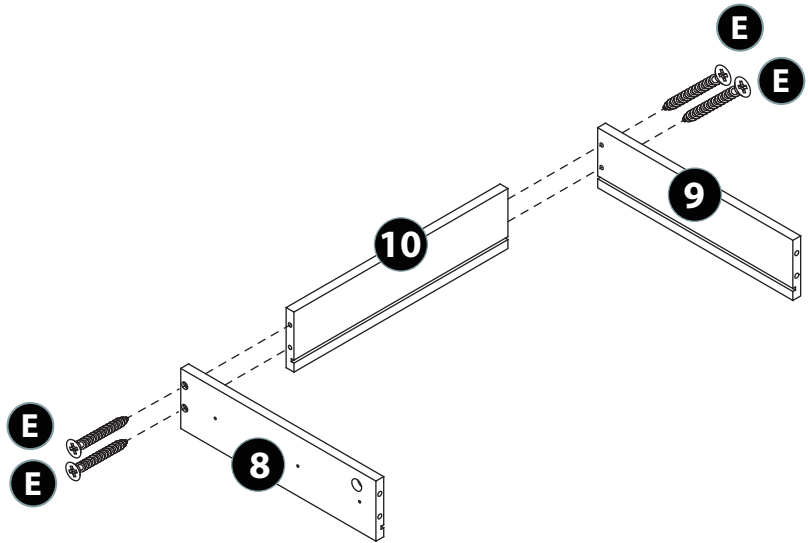
Select M( $\times 6$ ) and L( $\times 6$ ).  
Insert L( $\times 6$ ) into 6 with  
M( $\times 6$ ).



# ASSEMBLY INSTRUCTIONS

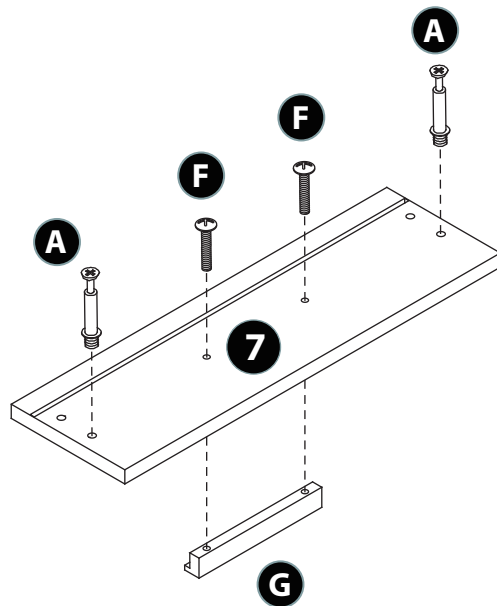
9

Select 8(x5), 9(x5), 10(x5), and E(x20). Insert 8(x1) into one side of 10(x1) with E(x2). Repeat for 9 into 10.



10

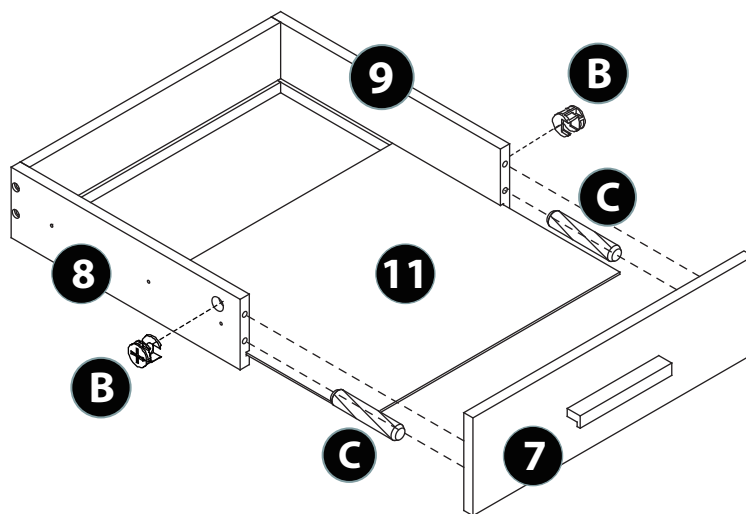
Select 7(x5), A(x10), F(x10) and G(x5). Insert G(x1) into 7(x1) with F(x2). Insert A(x2) into two sides of 7. Repeat for another 7(x4).



# ASSEMBLY INSTRUCTIONS

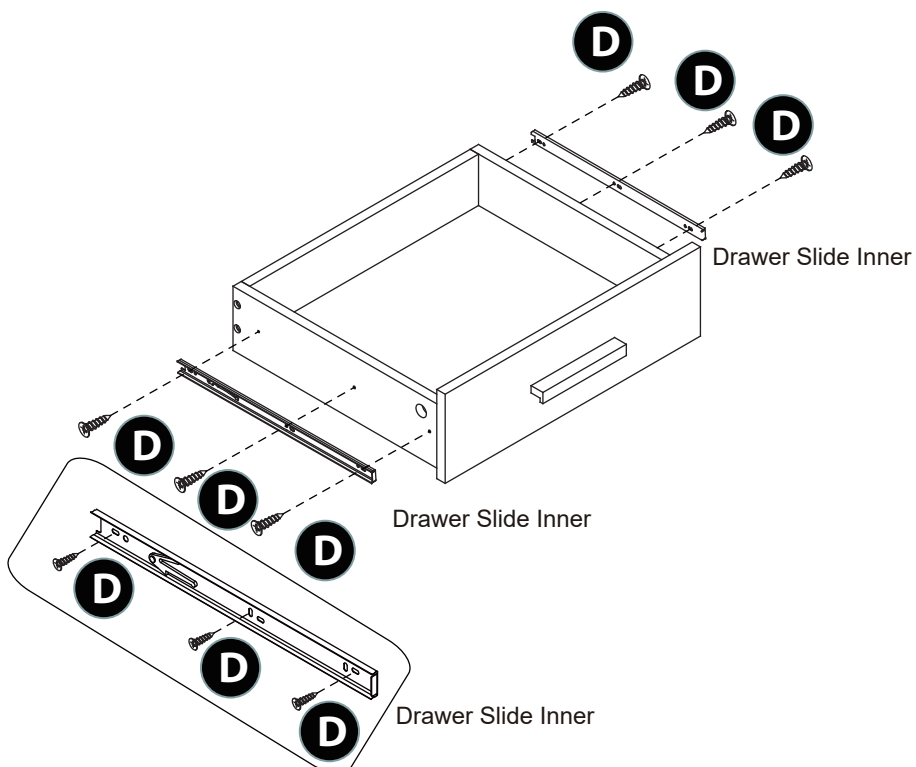
**11**

Select 11(x5),B(x10),C(x10).  
Install 11(x1) along the grooves of 8(x1) and 9(x1).  
Repeat for another 11(x4). Insert B(x2) into 8(x1) and 9(x1). Insert 7(x1) into Drawer with C(x2). Repeat for another 7(x4).



**12**

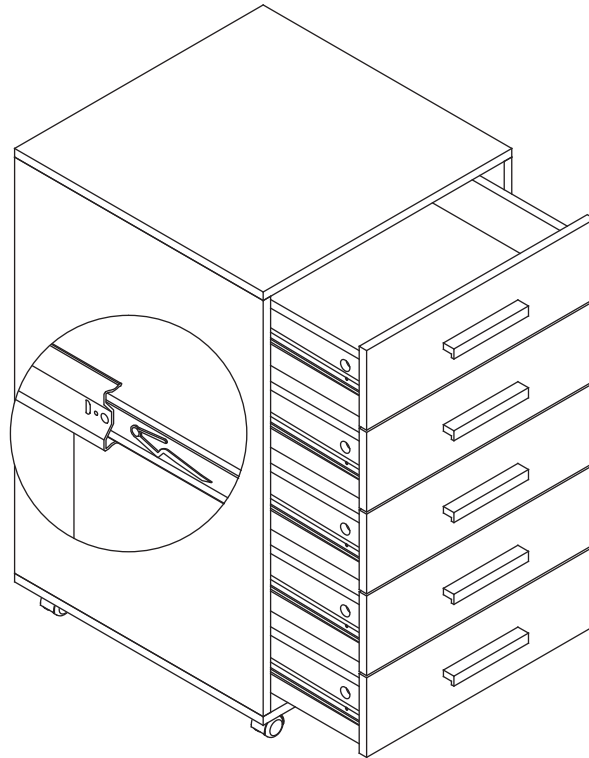
Select Drawer Slide Inner(x10) and D(x30).  
Attach Drawer Slide Inner(x2) to two sides of Drawer with D(x6). Repeat for another Drawers.



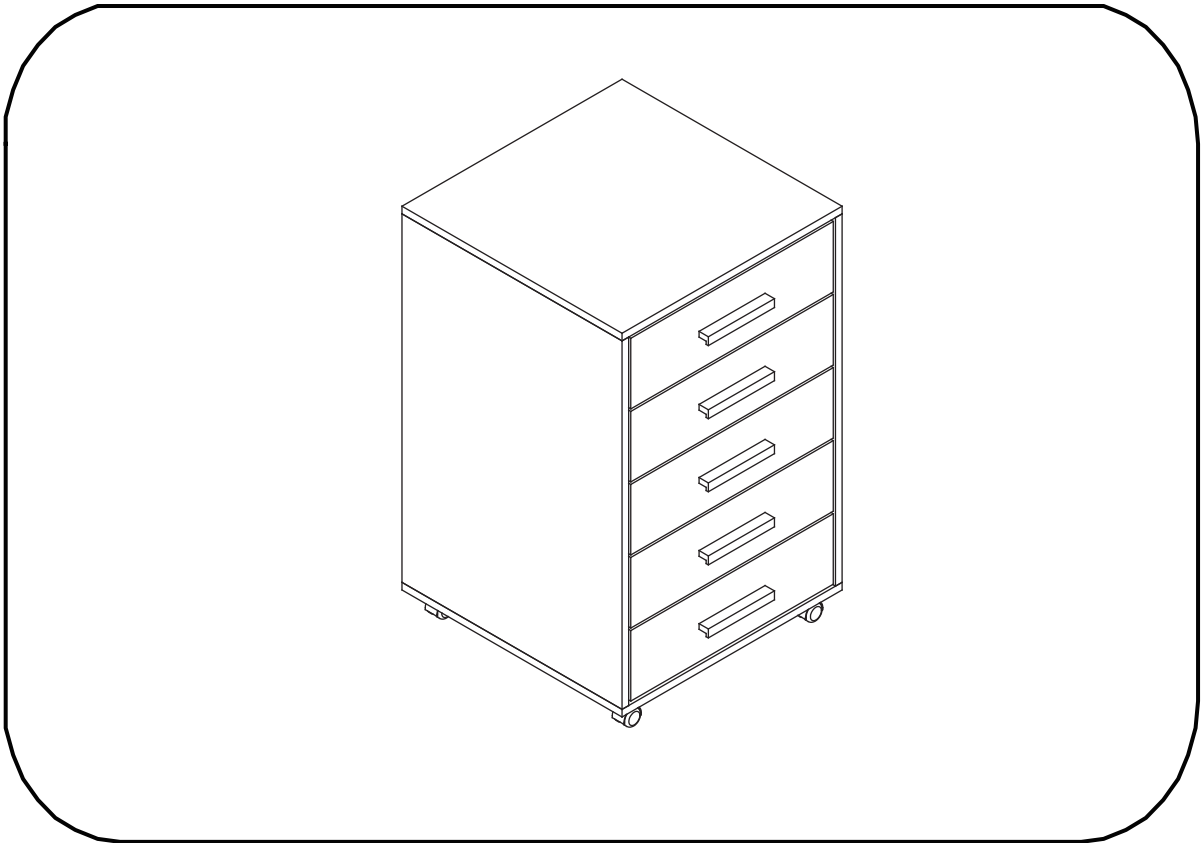
# ASSEMBLY INSTRUCTIONS

**13**

Carefully insert drawer box by aligning inner and outer slides and pushing drawer into place until clicks on both sides. Repeat for other drawer boxes. Note: it may be easier to insert inner to outer by fully extending drawer slide out.



# ASSEMBLY COMPLETE



**CONGRATULATIONS, YOUR 5 DRAWER CABINET IS COMPLETE!**