

Installation Instructions for Top-Mount / Under-Mount Sinks

Please carefully read complete instructions before beginning installation.

Note: It is recommended that all countertops be cut by an approved or certified installer and that the sinks be installed by the installer whenever possible. The countertop/sink unit ideally should be installed as one on the jobsite.

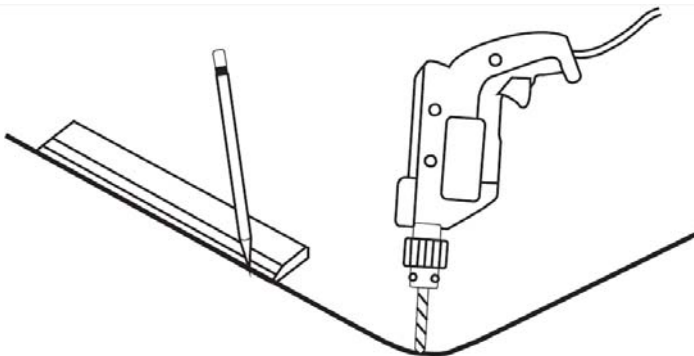
TOOLS AND MATERIALS YOU WILL NEED:	
Eye Protection (safety glasses/goggles) Strongly Recommended	Phillips Head Screwdriver
Ear Protection Strongly Recommended	Tape Measure
Drill and Drill bit	Pencil (NOT a permanent marker)
Saber Saw	Appropriate Sealant for Countertop Material
Wood Braces	Rags
Be sure to use proper tools and always wear personal safety devices for your protection.	

Step 1

Place the template on the counter top in desired position and trace completely outside rim (for top-mount installation) or inside rim (for under-mount installation) using pencil.

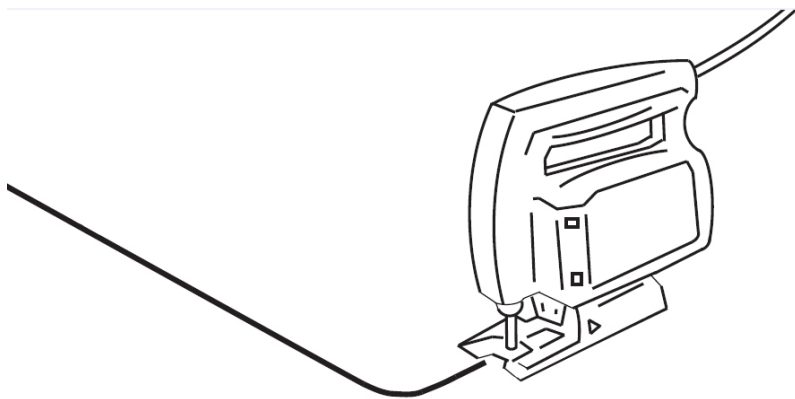
Step 2

Remove template and drill hole at the inside corner of the cutout line.



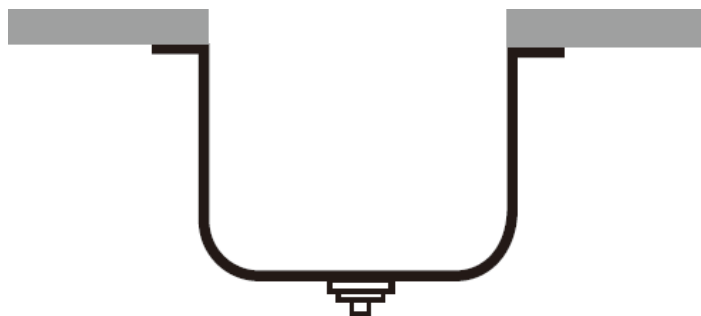
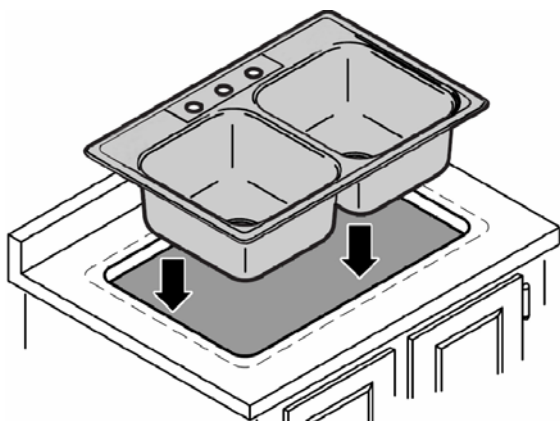
Step 3

Using a saber saw, start cutting from the drilled hole along the cutout line. Support cutout until the cut is completed.



Step 4

Set the sink temporarily into the cutout opening to verify fit (Left is top-mount installation and right is under-mount installation). The sink rim must set uniformly on the counter top. If the sink does not fit, enlarge the cutout opening carefully



Step 5

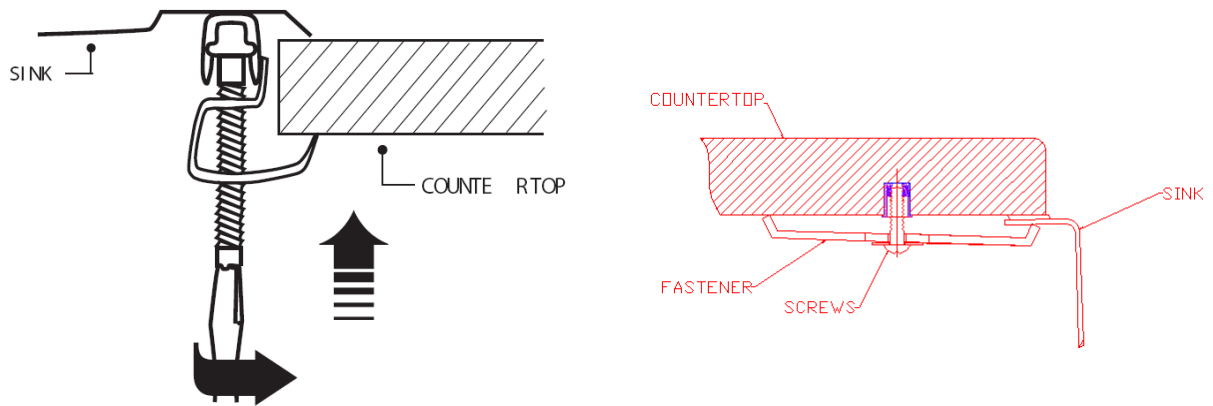
Install faucets and other accessories such as a side spray or soap/lotion dispenser onto the sink.

Step 6

Attach and space the clips around the underside of the sink. Number of clips varies between models. Be sure to arrange spacing evenly around the sink. Apply sealant around the sink rim to serve as a watertight seal.

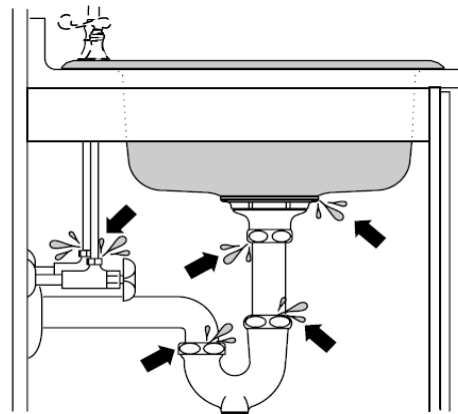
Step 7

Lower the sink into the hole carefully and tighten the clips evenly with the screwdriver.
(Left is top-mount installation and right is under-mount installation)



Step 8

Wipe away the excess sealant and allow to dry. Make the drain connections. Run water through the sink and check for leaks.



Care and Cleaning

Cleaning

- Clean regularly with a mild detergent solution and/or clean water applied with a soft cloth or sponge. Rub gently.
- Rinse and wipe the sink dry after every use to prevent water spotting & mineral deposits in severe hard water conditions.
- Deep clean once a week with a recommended cleanser (be sure to rub in the direction of the finish lines) and a soft cloth or sponge rather than aggressively cleaning.

Please note chlorides are found in most all soap, detergents, bleaches and cleansers. Chlorides can be harsh on stainless steel. Rinse your sink thoroughly after each use to remove any chloride residue.

Scratches

Scratches are inevitable during your usage over time. To treat, use a nylon pad with an iron free abrasive polishing compound. Follow the original polish lines to blend out the scratch in a small area. Be cautious not to overdo the process, as cleaning too aggressively could result in a bright spot.

Some Don'ts:

- Do not use any abrasive cleaners such as steel wool or scrub pads.
- Don't leave wet sponges, cloths, cleaning pad, rubber mats or dishpans in the sink. This could lead to surface rust or possible pitting.
- Do not leave standing solutions of chlorine bleach and water in the sink for extended periods of time. Always rinse the sink after using such solutions.
- Do not allow liquid soap or other cleansers to dry on the surface of the sink.