

Assembly Instruction

FIGURE 1

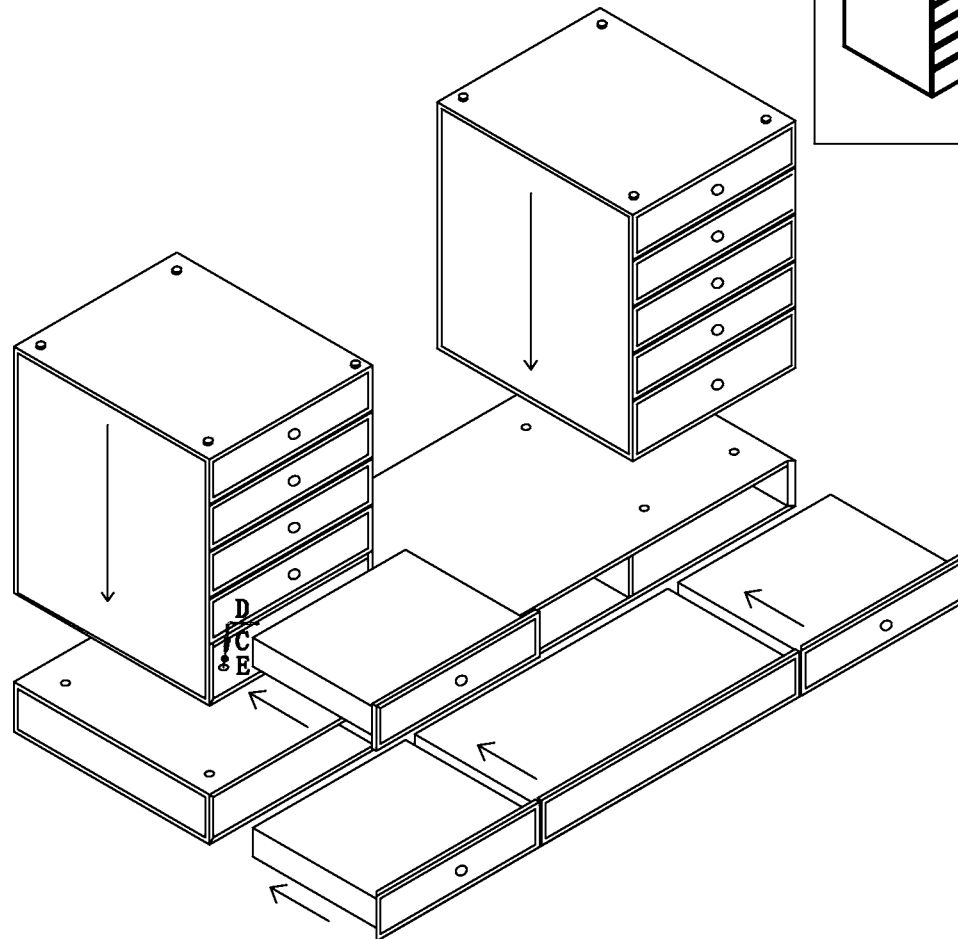
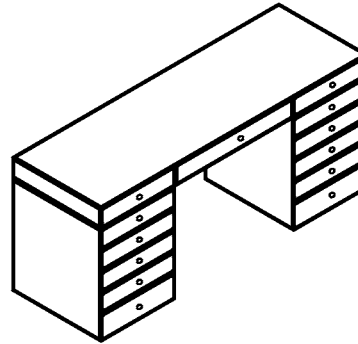

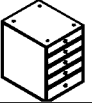





FIGURE 2



Parts Details

PART NO.	DESCRIPTION	DIAGRAM	1pcs
A	Table Body		1pcs
B	Leg		4pcs
C	Bolt		8pcs
D	Allen key		1pc
E	Flat Washer		8pcs