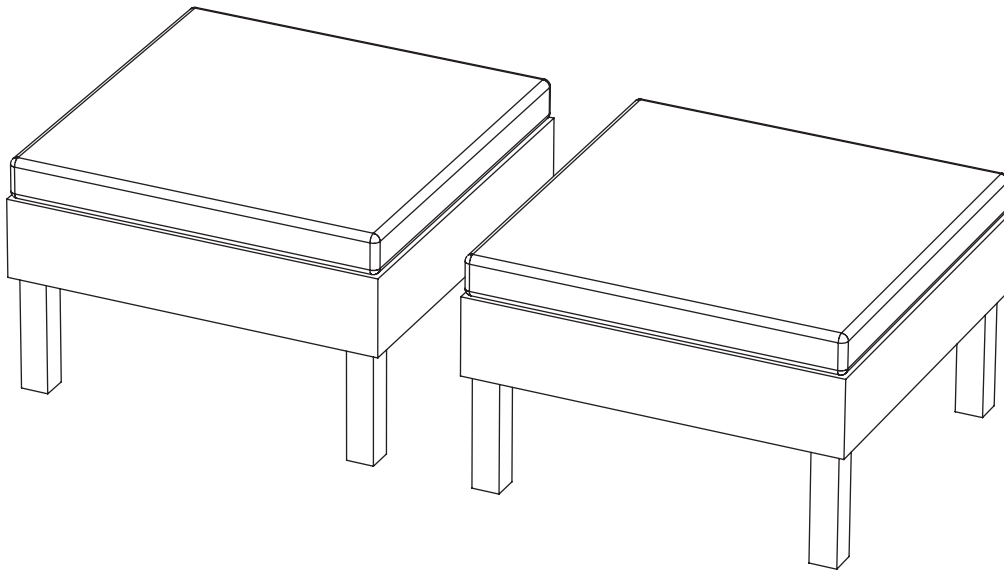
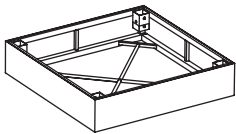


mm  
inch

x1



Ax1x2



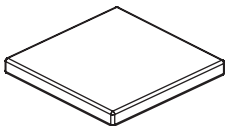
Bx4x2



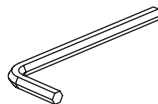
Ex1x2



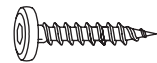
Fx1x2



① x1x2



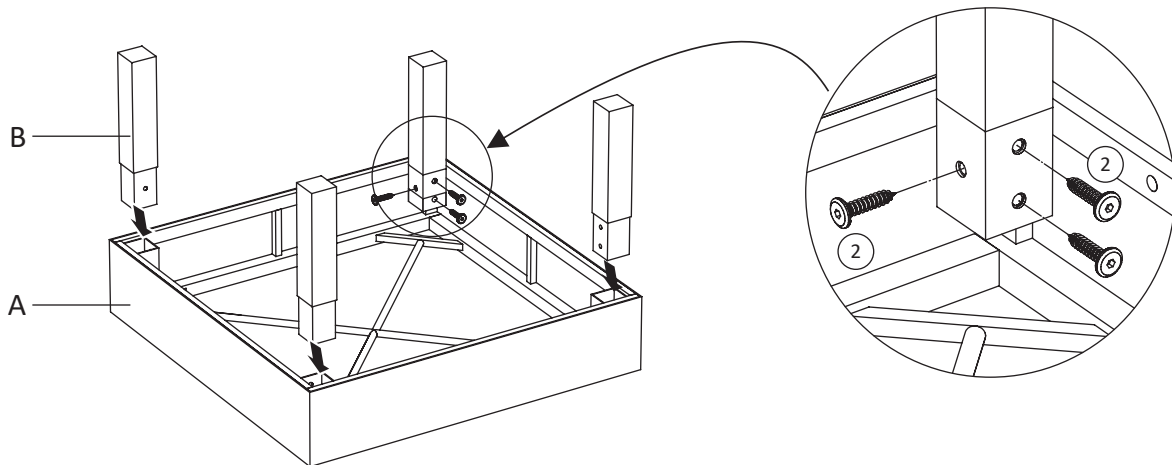
② x12x2



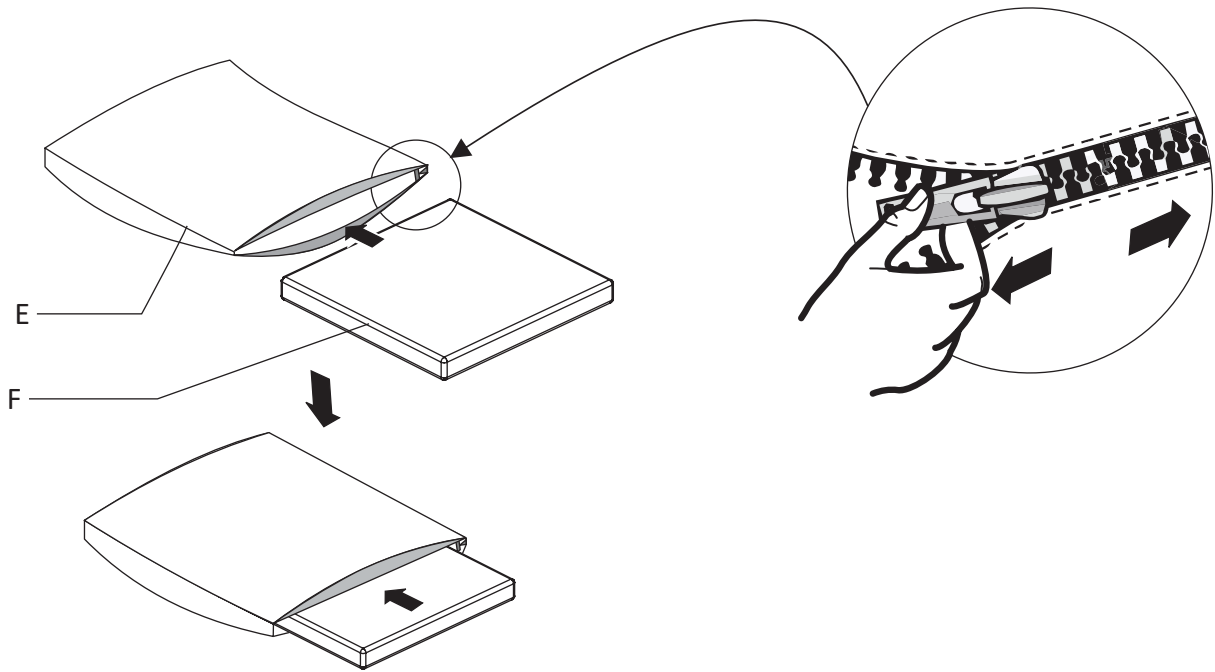
M4

M6x  $\frac{20}{0.8}$

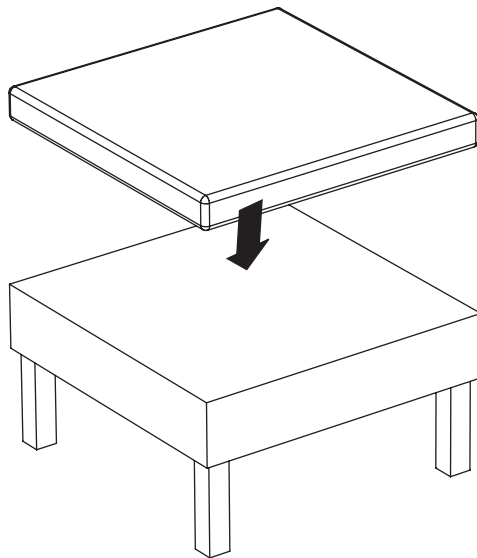
1

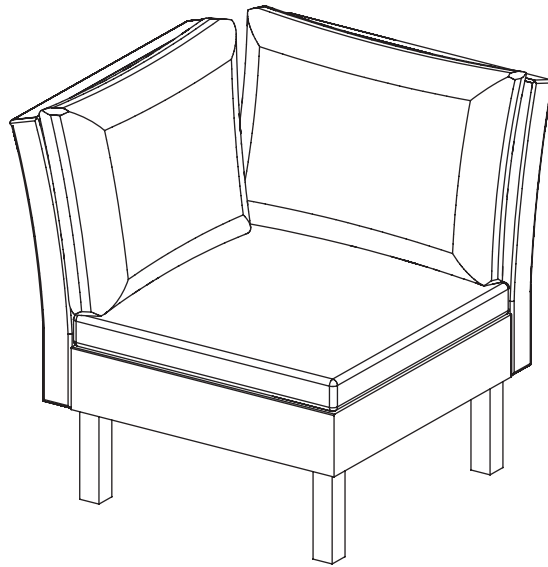


2

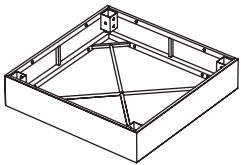


3





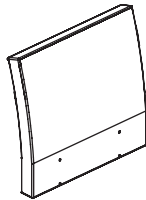
A2x1x1



B2x4x1



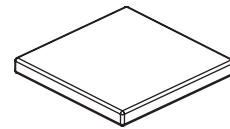
C2x2x1



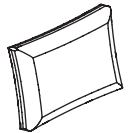
E2x1x1



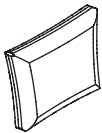
F2x1x1



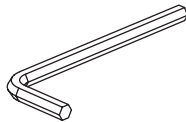
G2x1x1



H2x1x1

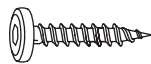


① x1x1



M4

② x12x1



M6x  $\frac{20}{0.8}$

③ x8x1

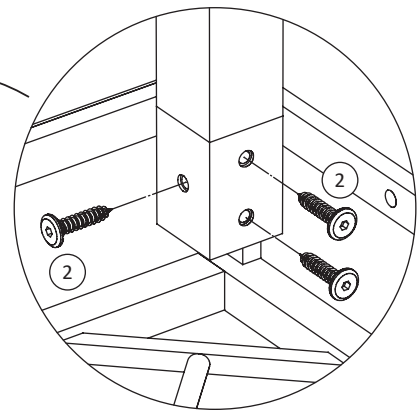
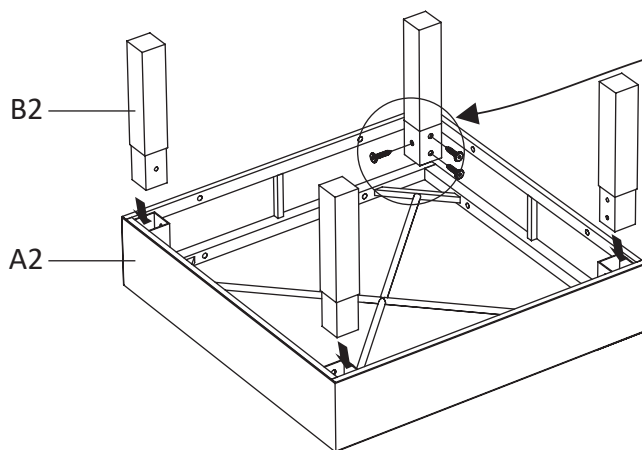


M6x  $\frac{35}{1.4}$

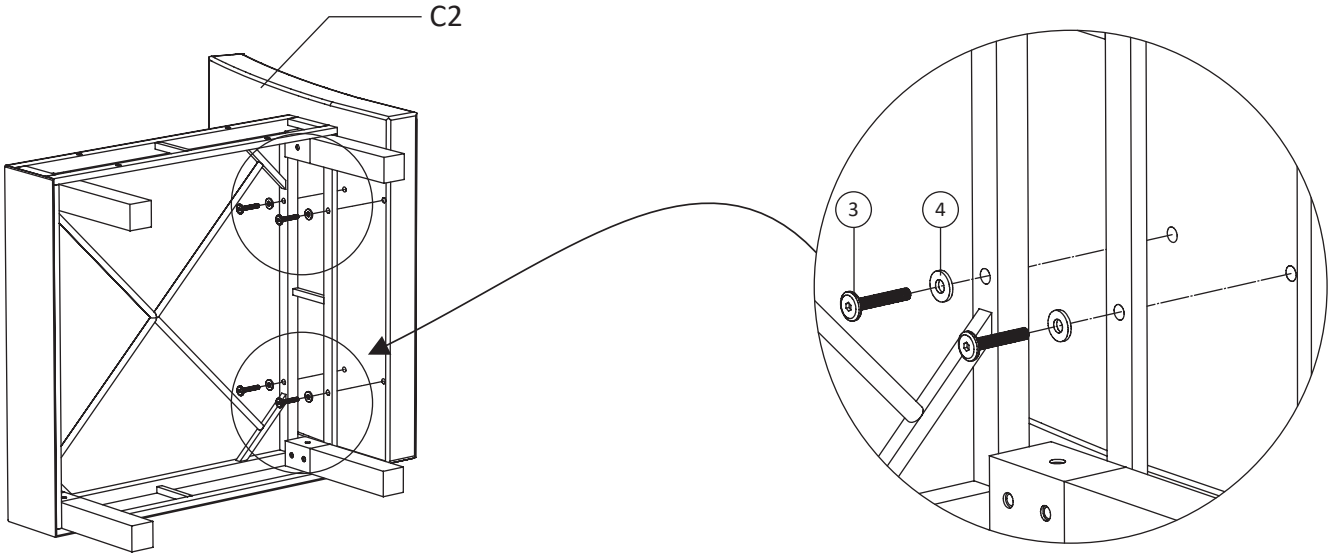
④ x8x1



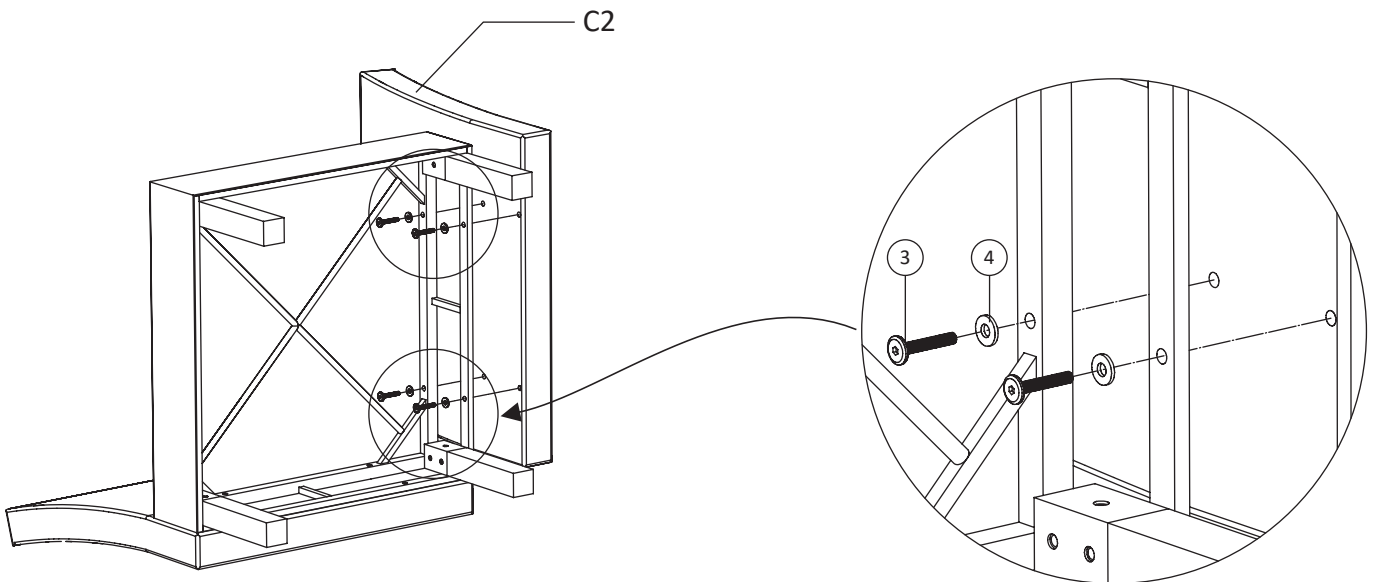
1



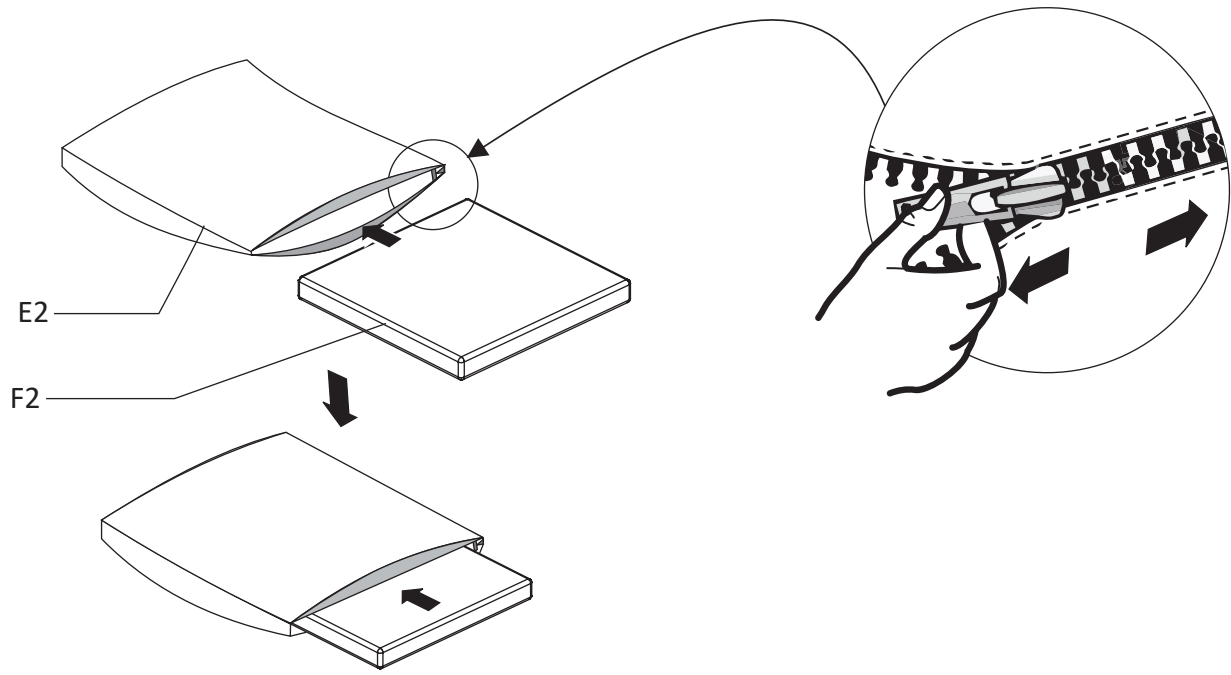
2



3



4



5

