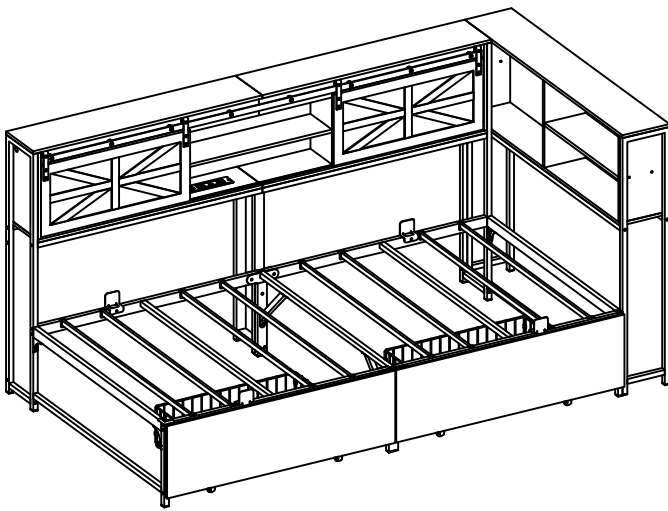
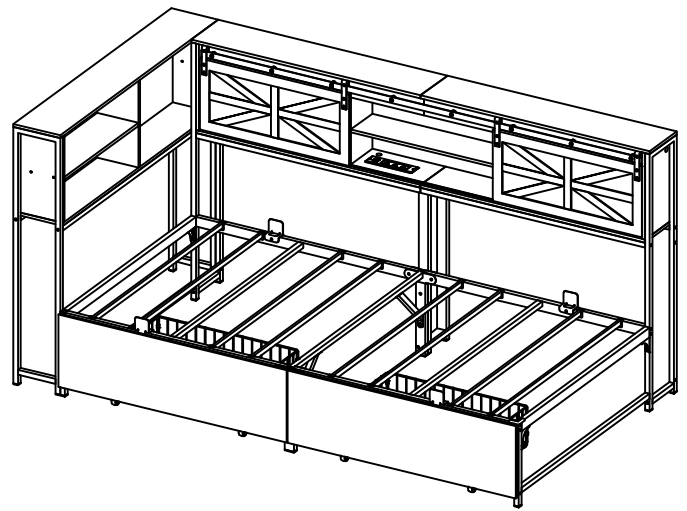




There are two packages for this product, you may not receive them at the same time, please wait a few days if you only get one package.



**Option A**



**Option B**

# Assembly Manual

Thank you for your purchase at our store.

Please contact us directly if you have difficulty with assembly or need replacement parts.

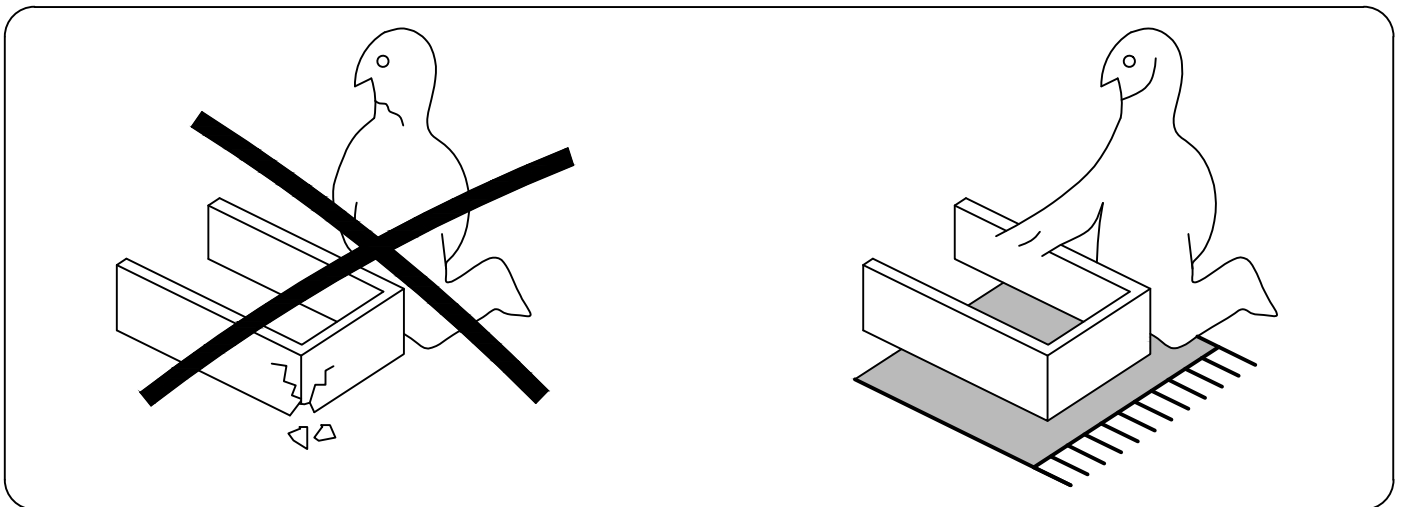
Professional customer service is here to assist you.

Please attach your order ID or some photos related so that we could help you better.

Two people are recommended to install, which will greatly improve your installation efficiency.

## Tips Before Assembly

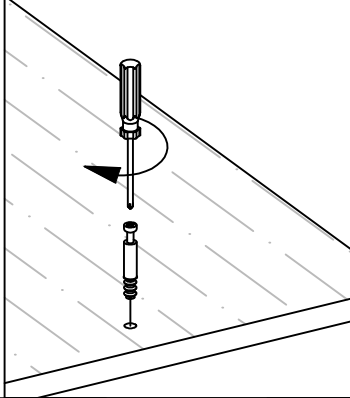
1. Read through each step carefully and follow the proper order.
2. Identify, sort and count all the parts with tags.
3. To avoid any scratching, putting a soft blanket on the floor is suggested.
4. If using a power drill or power screwdriver for the screwing, please be aware to slow down and stop when screw is tight. Failure to do so may result in stripping the screw.
5. Put the screws in loosely until all pieces are together and then tighten them all. It will save your time if you make a mistake while installing.



# Using Camlocks

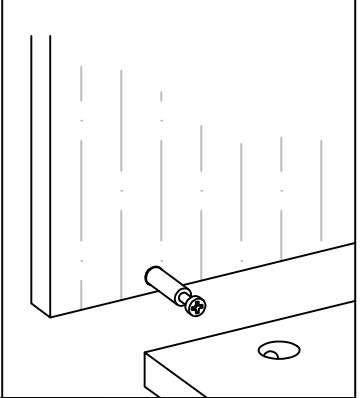
Connect the male camlock as directed in the assembly instructions using a screwdriver.

**1** DO NOT OVER TIGHTEN



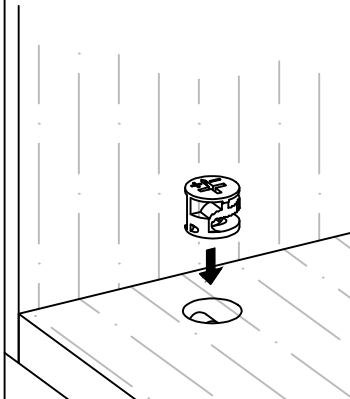
Push the male camlock into the entry hole.

**2**



Insert the female camlock as shown in the instruction.  
  
Note: ensure that the arrow on the top of the camlock points toward the entry hole for the male camlock.

**3**

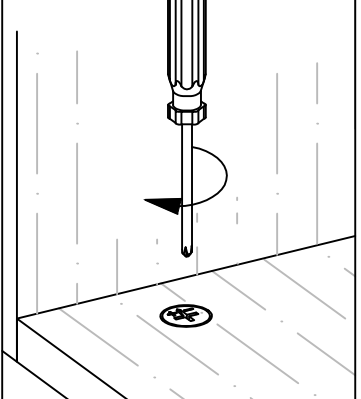


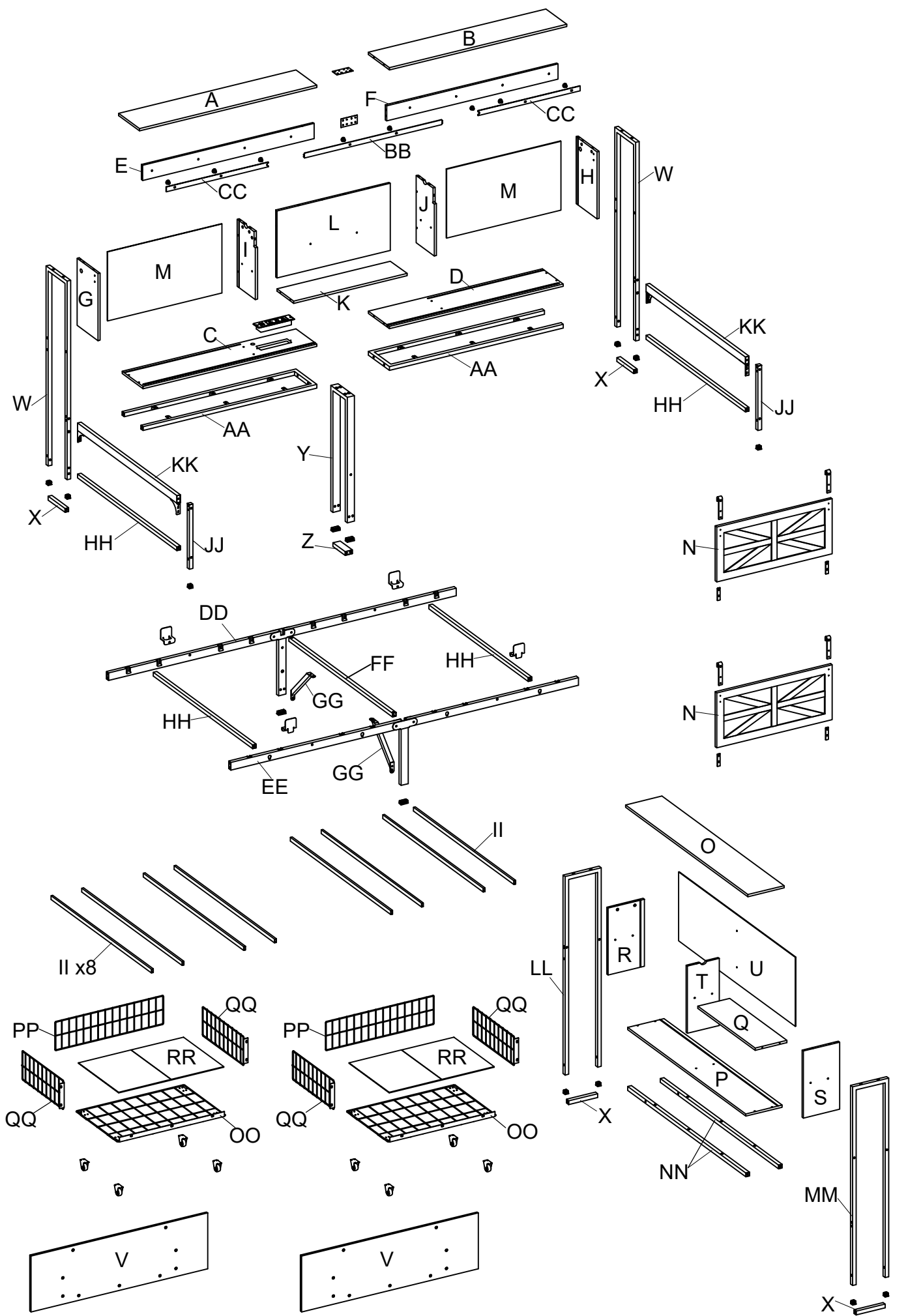
Turn the female camlock clockwise with a screwdriver.

You should feel a click when the camlock is locked in place.

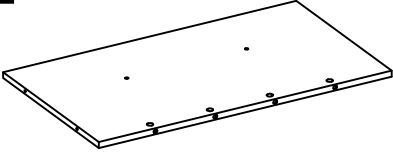
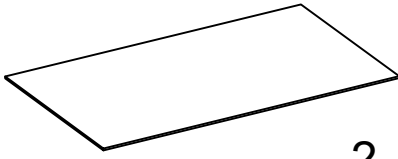
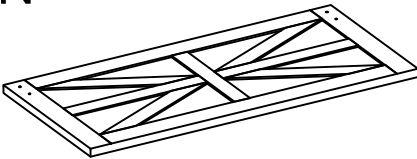
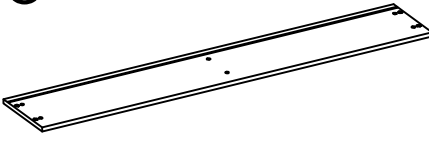
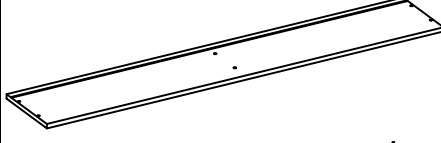
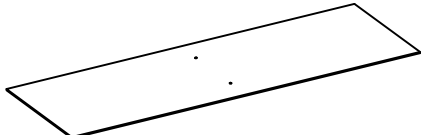
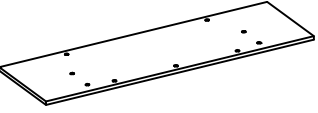
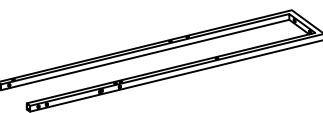
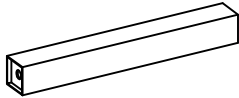
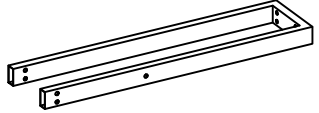

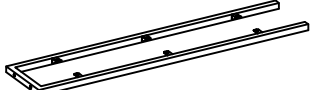
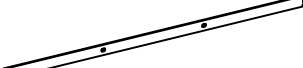
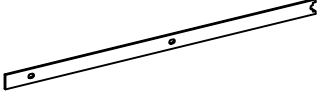
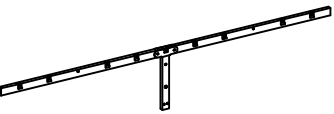





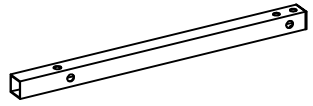

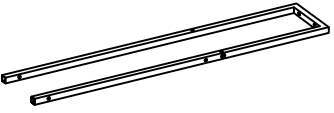
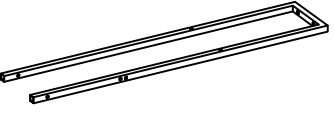

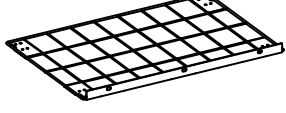
The joint is now secure.

**4**



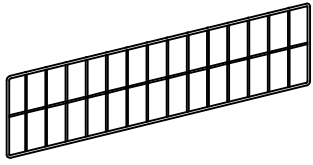


PART LIST A

<p><b>L</b></p>  <p>1 pc</p>	<p><b>M</b></p>  <p>2 pcs</p>	<p><b>N</b></p>  <p>2 pcs</p>	
<p><b>O</b></p>  <p>1 pc</p>	<p><b>P</b></p>  <p>1 pc</p>	<p><b>U</b></p>  <p>1 pc</p>	
<p><b>V</b></p>  <p>2 pcs</p>	<p><b>W</b></p>  <p>2 pcs</p>	<p><b>X</b></p>  <p>4 pcs</p>	<p><b>Y</b></p>  <p>1 pc</p>
<p><b>Z</b></p>  <p>1 pc</p>	<p><b>AA</b></p>  <p>2 pcs</p>	<p><b>BB</b></p>  <p>1 pc</p>	<p><b>CC</b></p>  <p>2 pcs</p>
<p><b>DD</b></p>  <p>1 pc</p>	<p><b>EE</b></p>  <p>1 pc</p>	<p><b>FF</b></p>  <p>1 pc</p>	<p><b>GG</b></p>  <p>2 pcs</p>
<p><b>HH</b></p>  <p>4 pcs</p>	<p><b>II</b></p>  <p>8 pcs</p>	<p><b>JJ</b></p>  <p>2 pcs</p>	<p><b>KK</b></p>  <p>2 pcs</p>
<p><b>LL</b></p>  <p>1 pc</p>	<p><b>MM</b></p>  <p>1 pc</p>	<p><b>NN</b></p>  <p>2 pcs</p>	<p><b>OO</b></p>  <p>2 pcs</p>

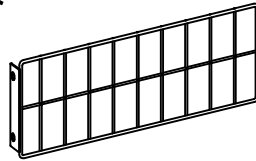
PART LIST A

PP



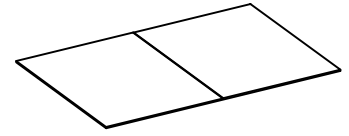
2 pcs

QQ



4 pcs

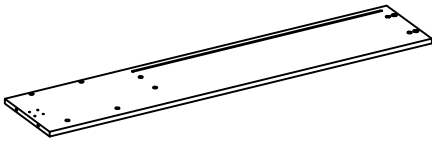
RR



2 pcs

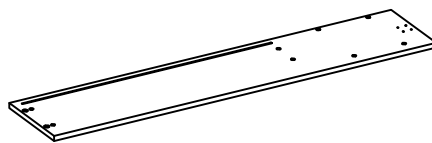
PART LIST B

A



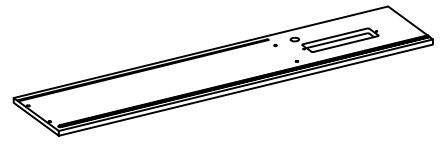
1 pc

B



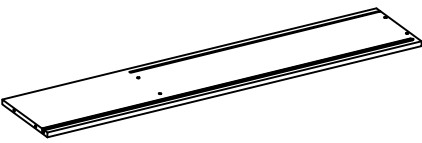
1 pc

C



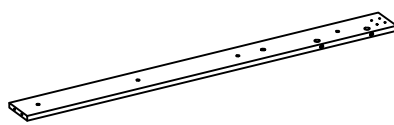
1 pc

D



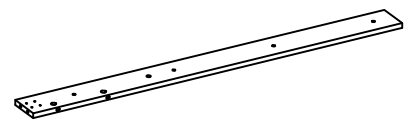
1 pc

E



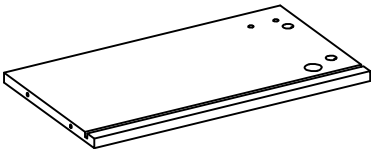
1 pc

F



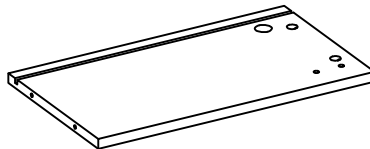
1 pc

G



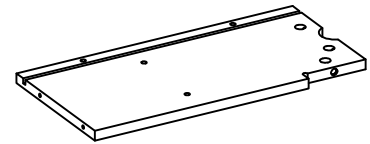
1 pc

H



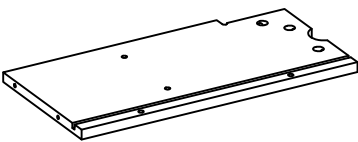
1 pc

I



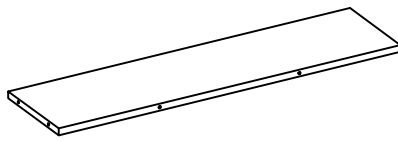
1 pc

J



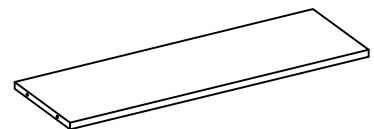
1 pc

K



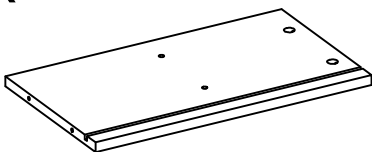
1 pc

Q



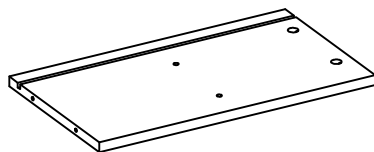
1 pc

R



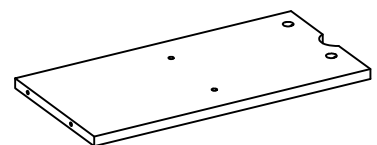
1 pc

S




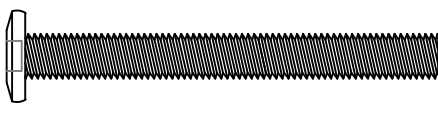
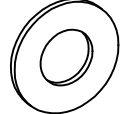
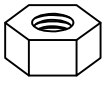
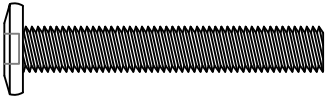

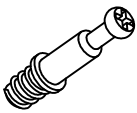


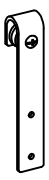

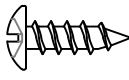
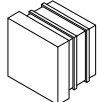
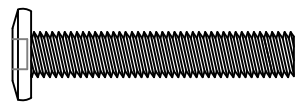
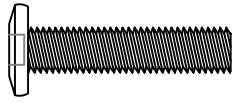
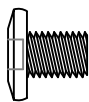
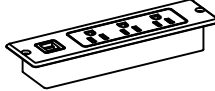

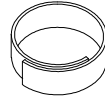




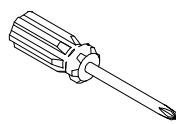
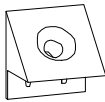

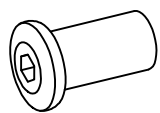


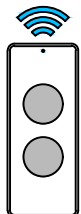
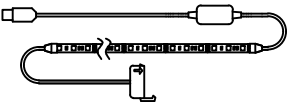
1 pc

T

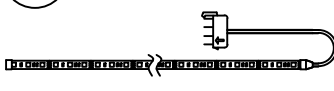

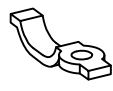
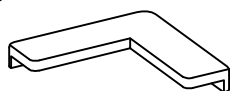
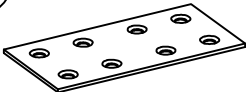

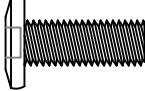
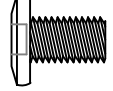
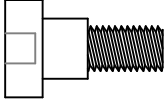
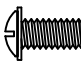

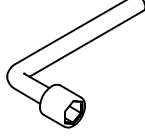
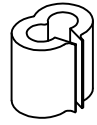


1 pc

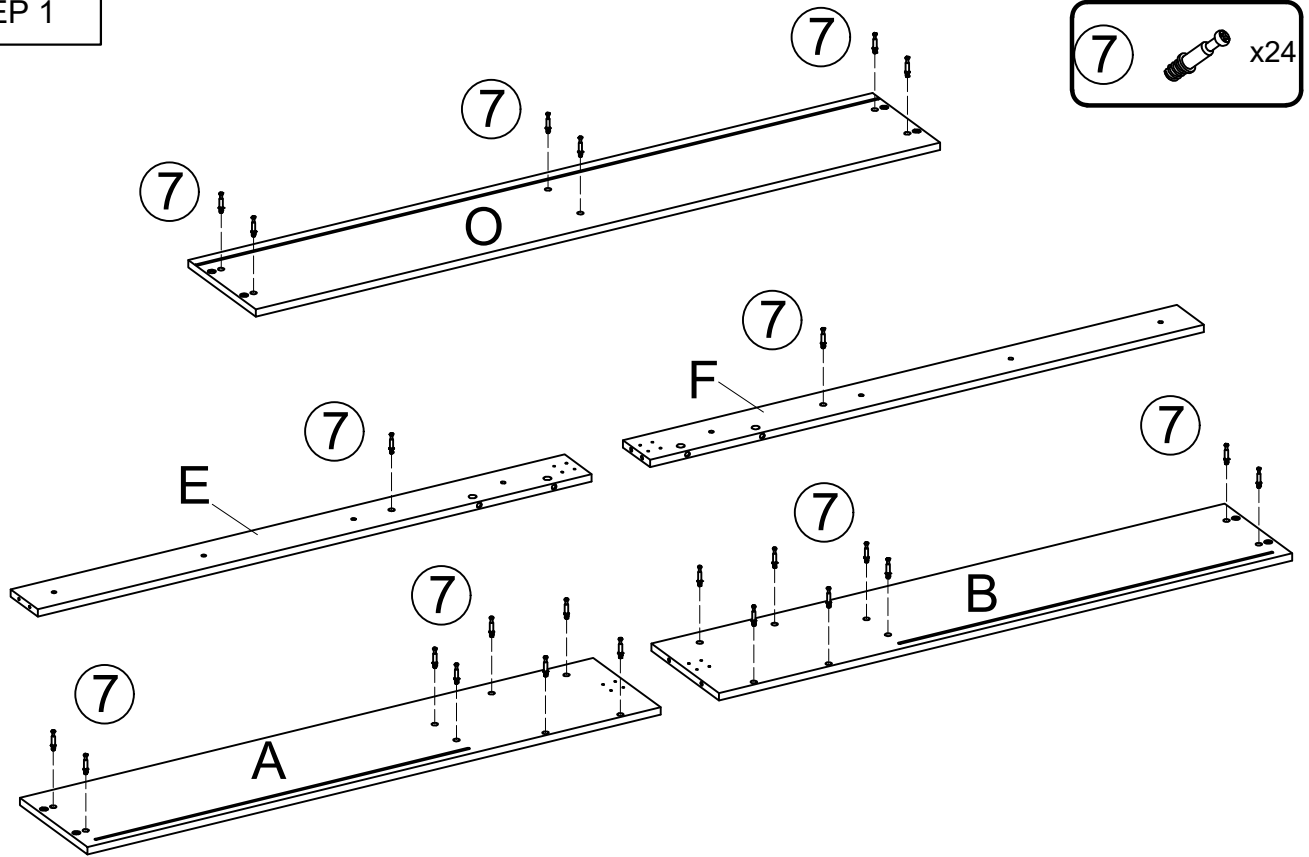
## HARDWARE LIST

<p>①</p>  <p>M5x40      32 pcs</p>	<p>②</p>  <p>M6x55      11 pcs</p>	<p>③</p>  <p>M6x16x1.0      14 pcs</p>	
<p>④</p>  <p>M6      10 pcs</p>	<p>⑤</p>  <p>M6x40      8 pcs</p>	<p>⑥</p>  <p>Ø20x15      8 pcs</p>	<p>⑦</p>  <p>M6x28      24 pcs</p>
<p>⑧</p>  <p>Ø12      24 pcs</p>	<p>⑨</p>  <p>20x40      4 pcs</p>	<p>⑩</p>  <p>4 pcs</p>	<p>⑪</p>  <p>65x15x1.5      4 pcs</p>
<p>⑫</p>  <p>M4x14      18 pcs</p>	<p>⑬</p>  <p>20x20      10 pcs</p>	<p>⑭</p>  <p>M6x35      39 pcs</p>	<p>⑮</p>  <p>M6x27      14 pcs</p>
<p>⑯</p>  <p>M6x8      12 pcs</p>	<p>⑰</p>  <p>1 pc</p>	<p>⑱</p>  <p>M3x12      66 pcs</p>	<p>⑲</p>  <p>1 pc</p>
<p>⑳</p>  <p>4 pcs</p>	<p>㉑</p>  <p>M8x25      4 pcs</p>	<p>㉒</p>  <p>Ø38      8 pcs</p>	<p>㉓</p>  <p>Ø10      4 pcs</p>
<p>㉔</p>  <p>1 pc</p>	<p>㉕</p>  <p>24 pcs</p>	<p>㉖</p>  <p>10mm      1 pc</p>	<p>㉗</p>  <p>M6x15      2 pcs</p>
<p>㉘</p>  <p>M4      2 pcs</p>	<p>㉙</p>  <p>M3      1 pc</p>	<p>㉚</p>  <p>RF Remote Control 1 pc</p>	<p>㉛</p>  <p>170cm      1 pc</p>

## HARDWARE LIST

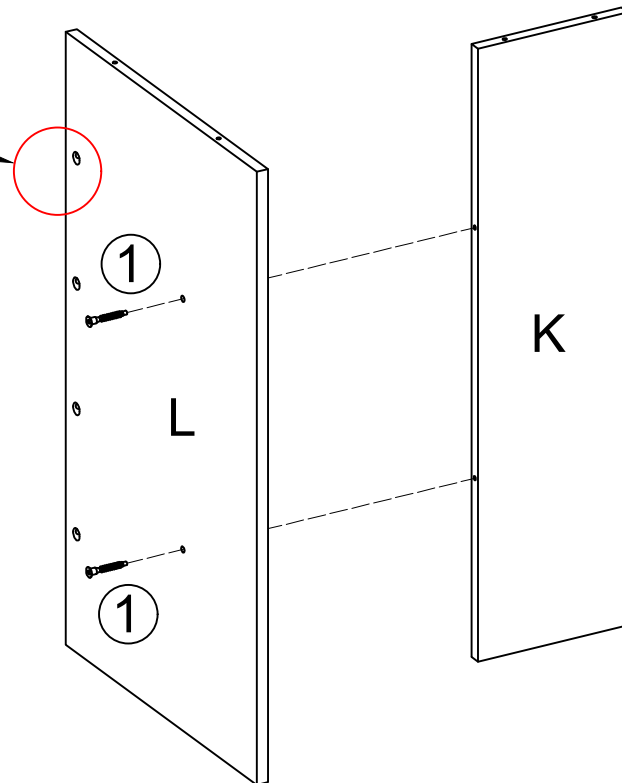
<p><b>32</b></p>  <p>90cm 1 pc</p>	<p><b>33</b></p>  <p>4 pcs</p>	<p><b>34</b></p>  <p>16 pcs</p>	<p><b>35</b></p>  <p>1 pc</p>
<p><b>36</b></p>  <p>90*45*1.5 2 pcs</p>	<p><b>37</b></p>  <p>Ø6x30 6 pcs</p>	<p><b>38</b></p>  <p>M6x16 8 pcs</p>	<p><b>39</b></p>  <p>M6x10 14 pcs</p>
<p><b>40</b></p>  <p>M6x10 4 pcs</p>	<p><b>41</b></p>  <p>M4x8 32 pcs</p>	<p><b>42</b></p>  <p>M4 32 pcs</p>	<p><b>43</b></p>  <p>1 pc</p>
<p><b>44</b></p>  <p>32 pcs</p>			

STEP 1

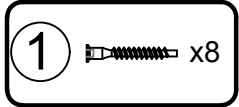


STEP 2

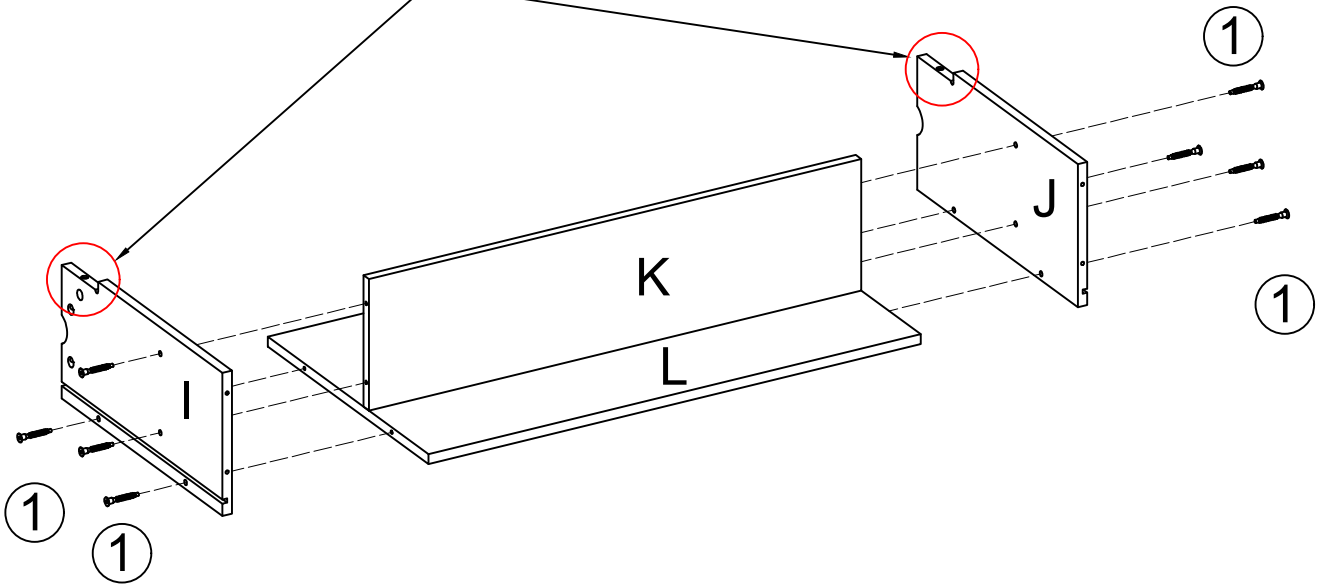
Keep the holes of the Part L toward this direction as shown



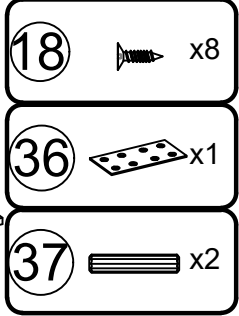
STEP 3



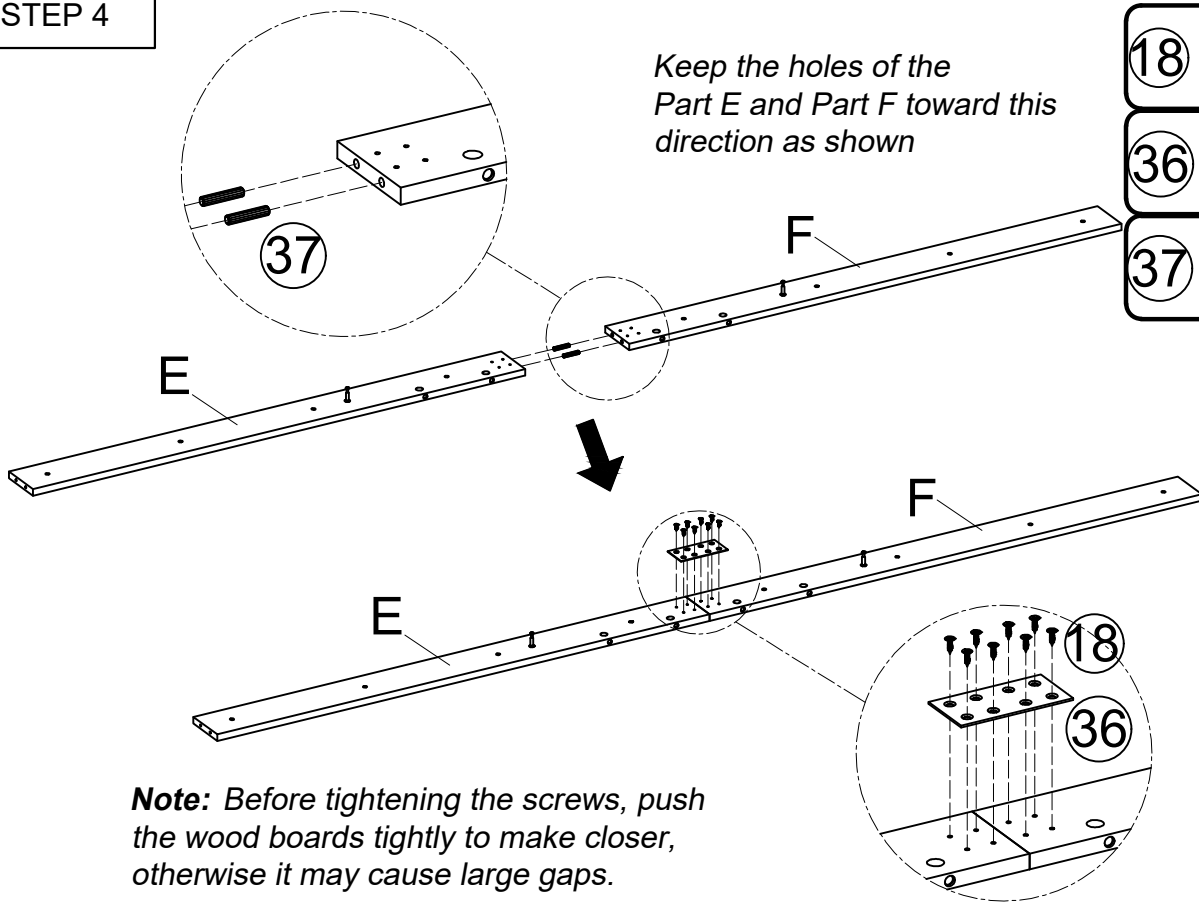
Keep the holes of the Part I and Part J toward this direction as shown



STEP 4

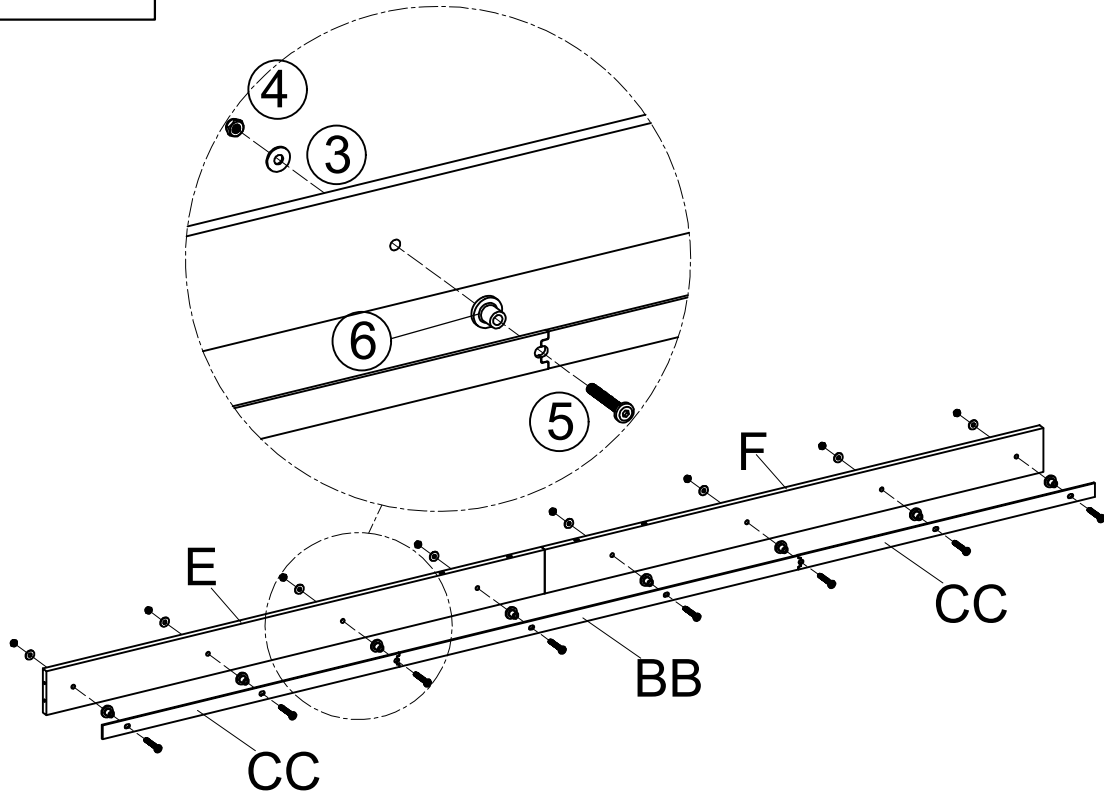







Keep the holes of the Part E and Part F toward this direction as shown



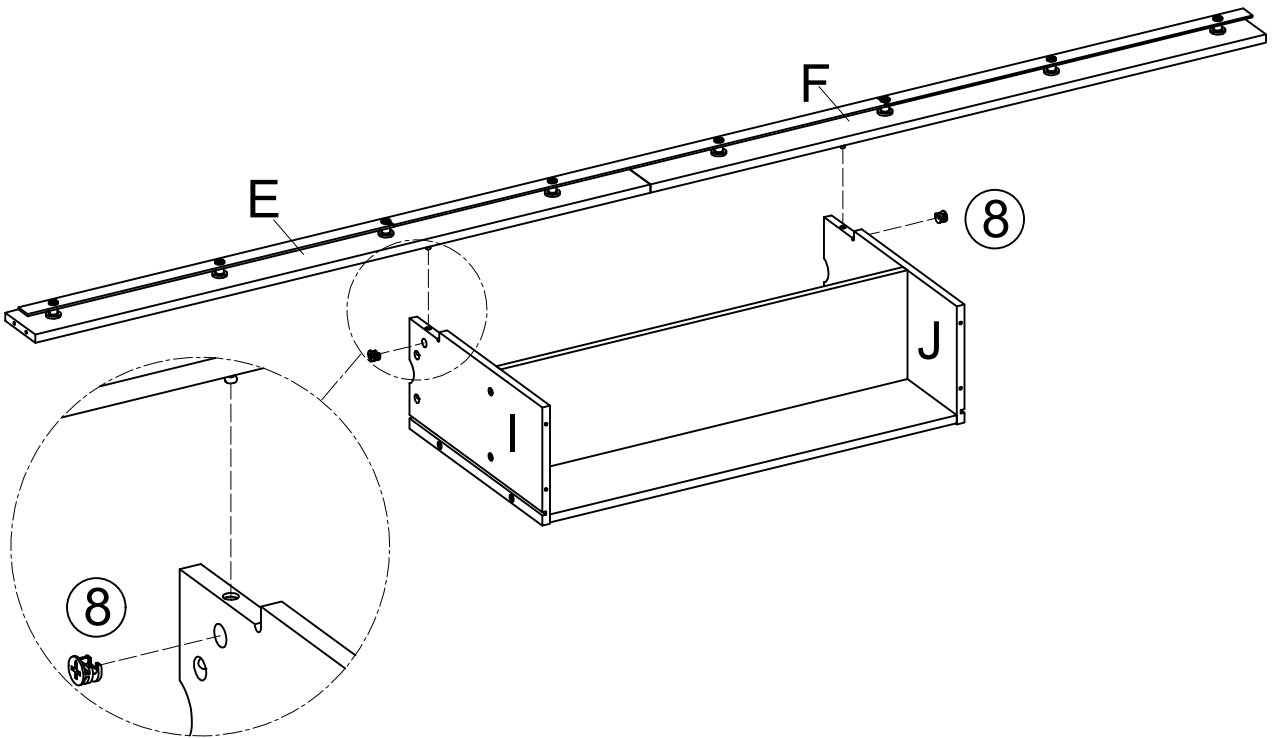
**Note:** Before tightening the screws, push the wood boards tightly to make closer, otherwise it may cause large gaps.


STEP 5



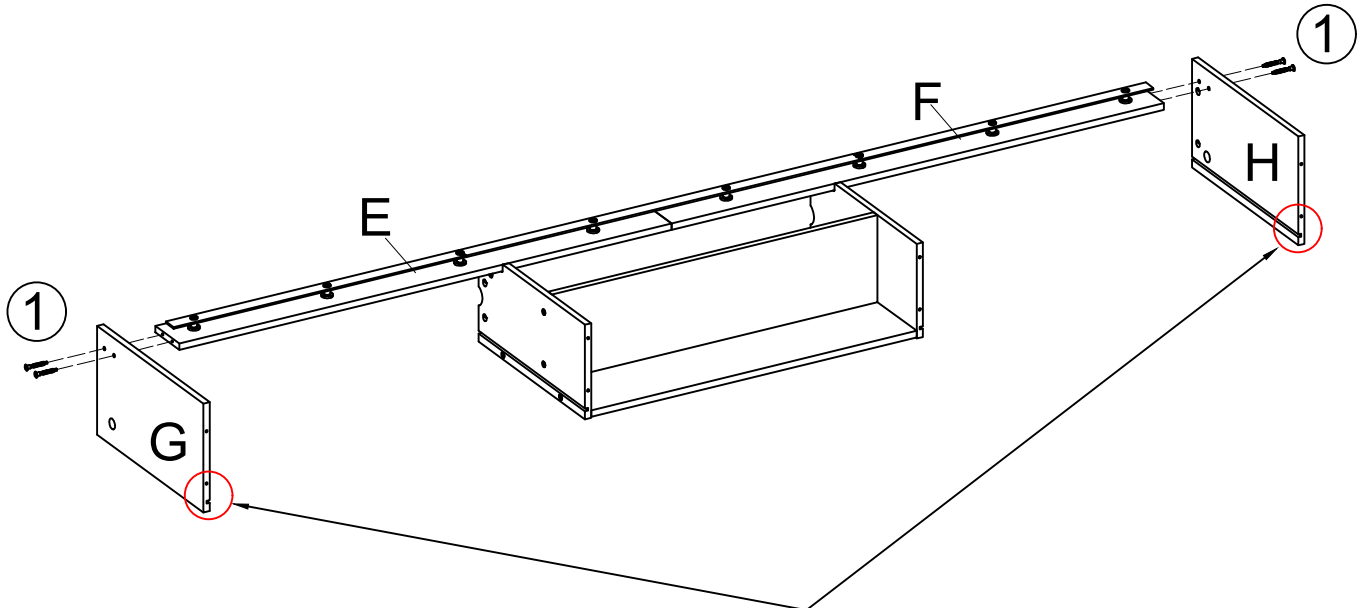
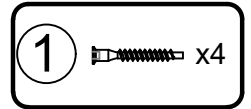
- 3  x8
- 4  x8
- 5  x8
- 6  x8
- 26  x1

STEP 6



- 8  x2

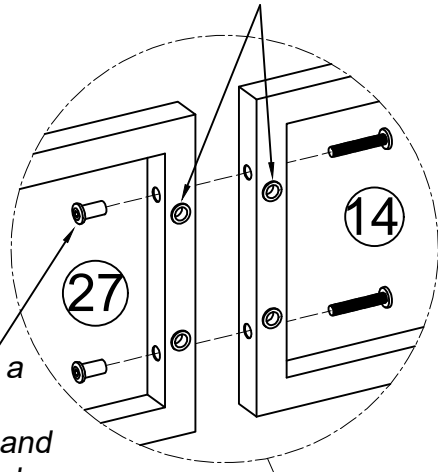
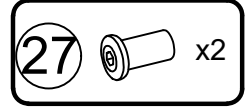
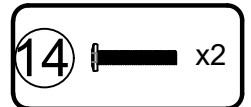
STEP 7



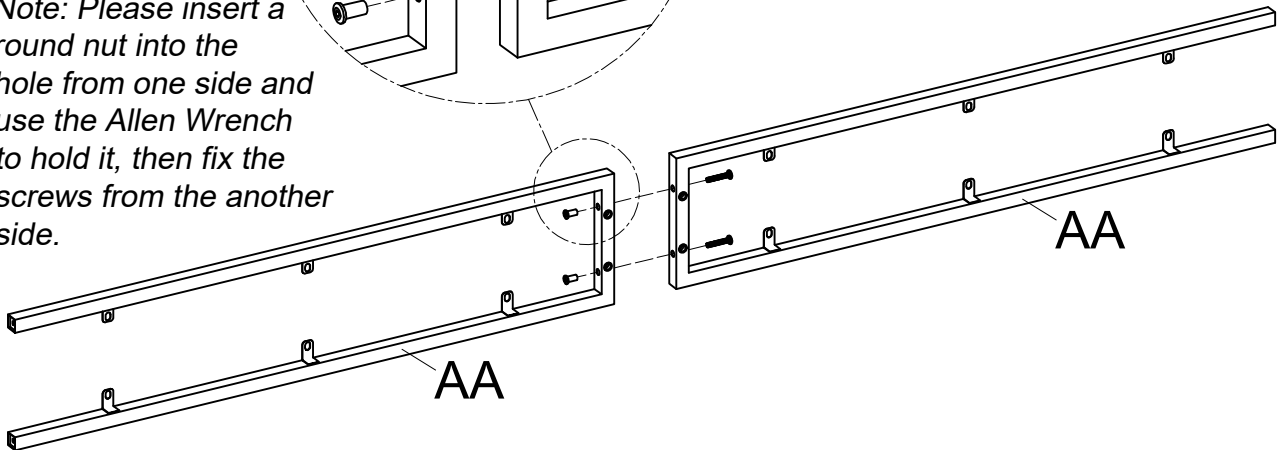
Keep the holes of the Part G and Part H toward this direction as shown

STEP 8

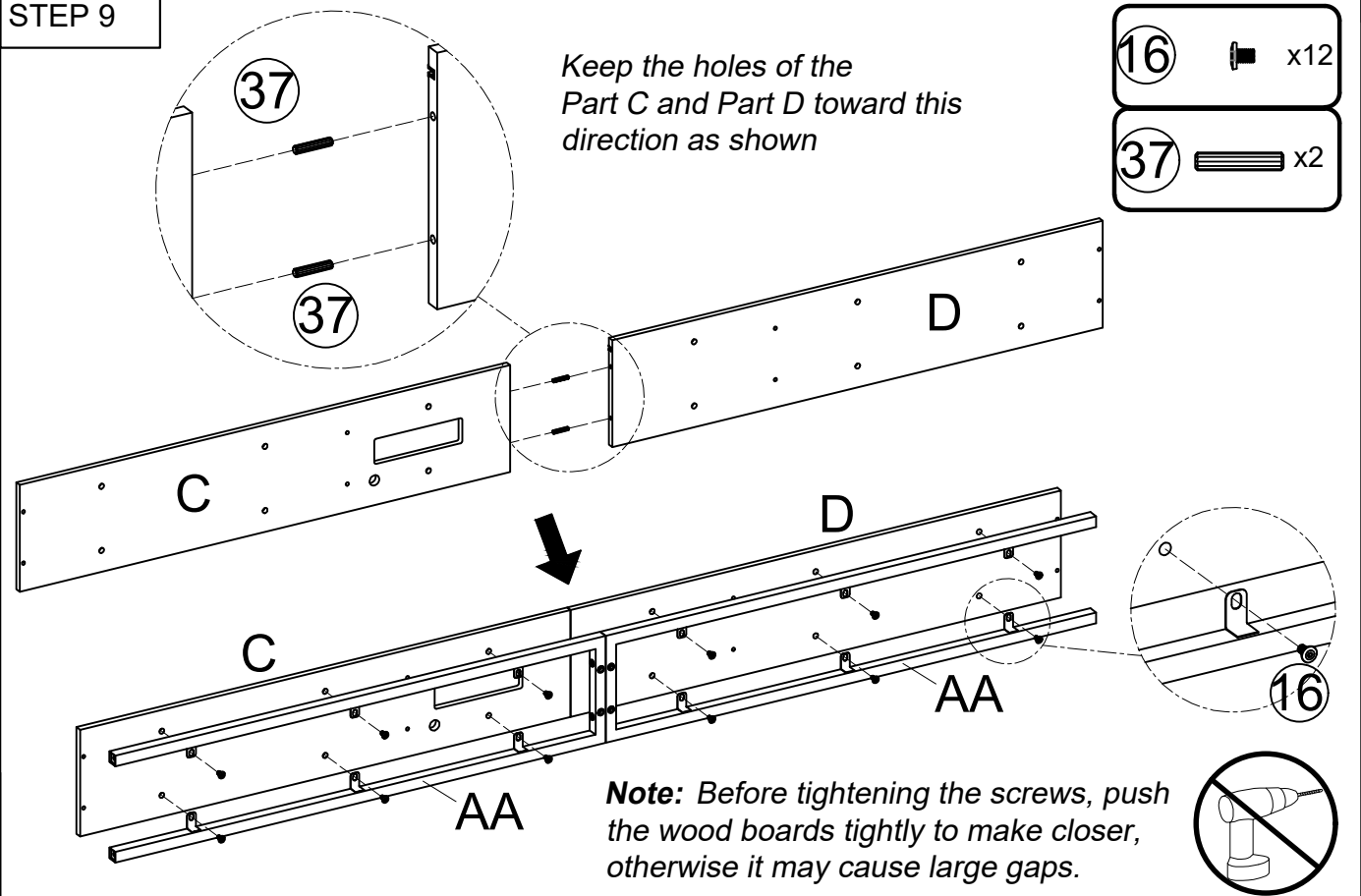
Keep the holes of the Part AA toward this direction as shown



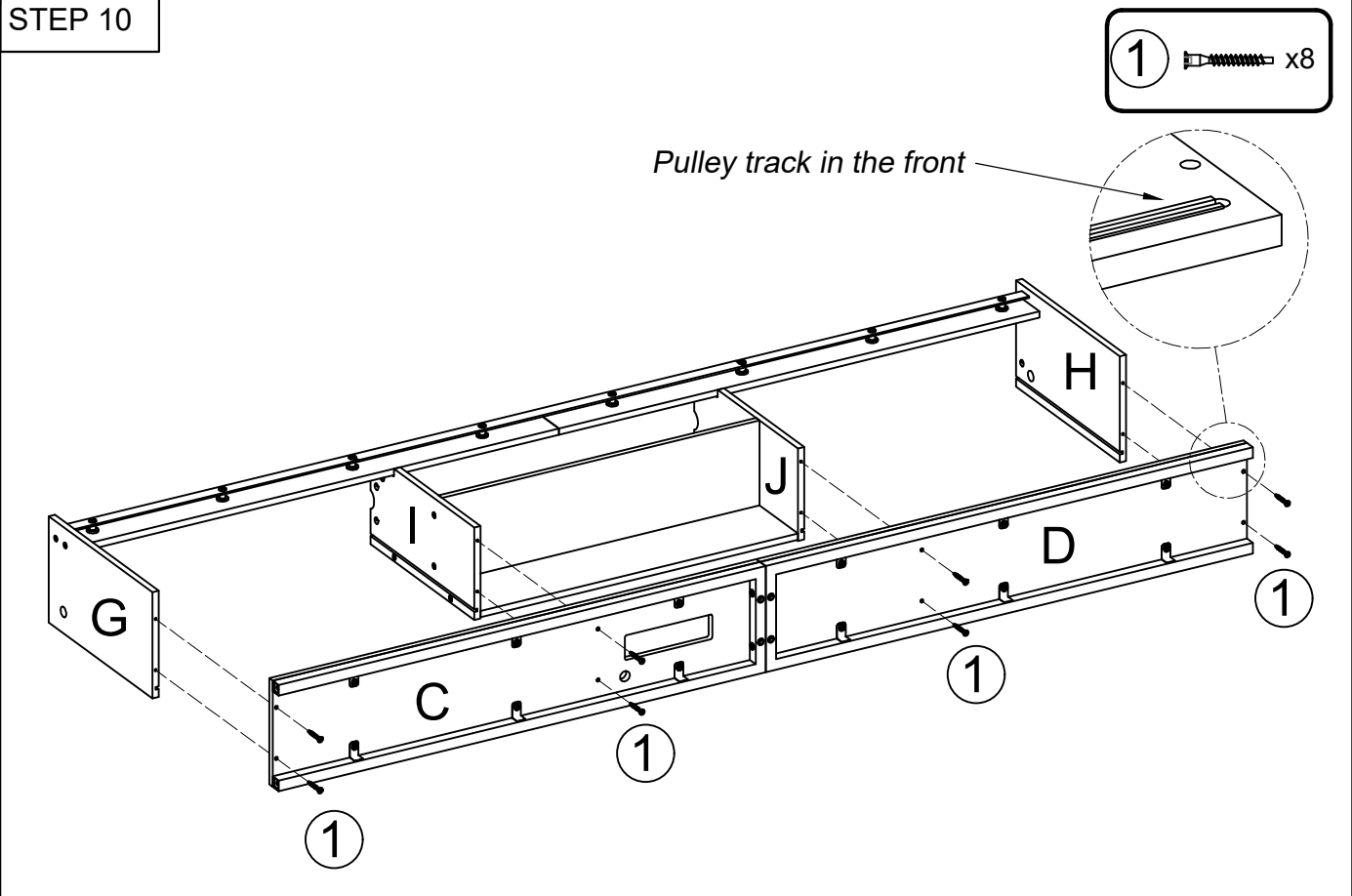
Note: Please insert a round nut into the hole from one side and use the Allen Wrench to hold it, then fix the screws from the another side.



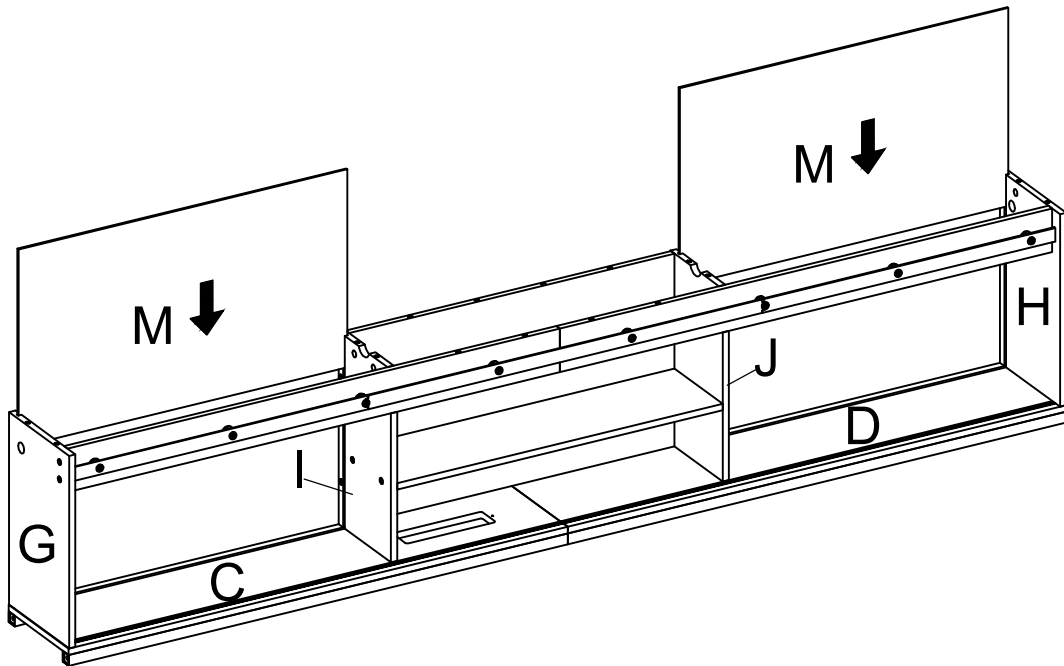
STEP 9



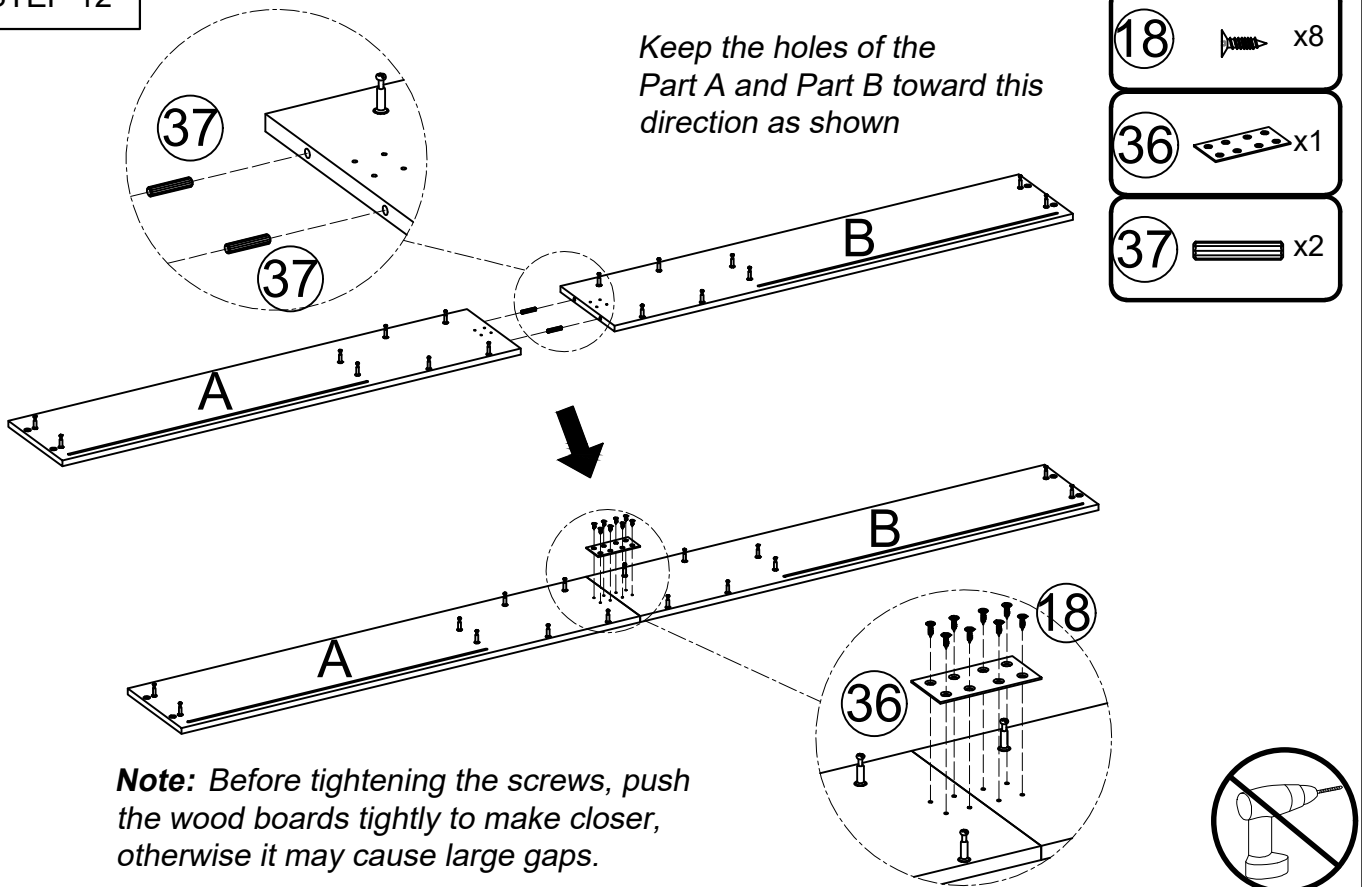
STEP 10



STEP 11

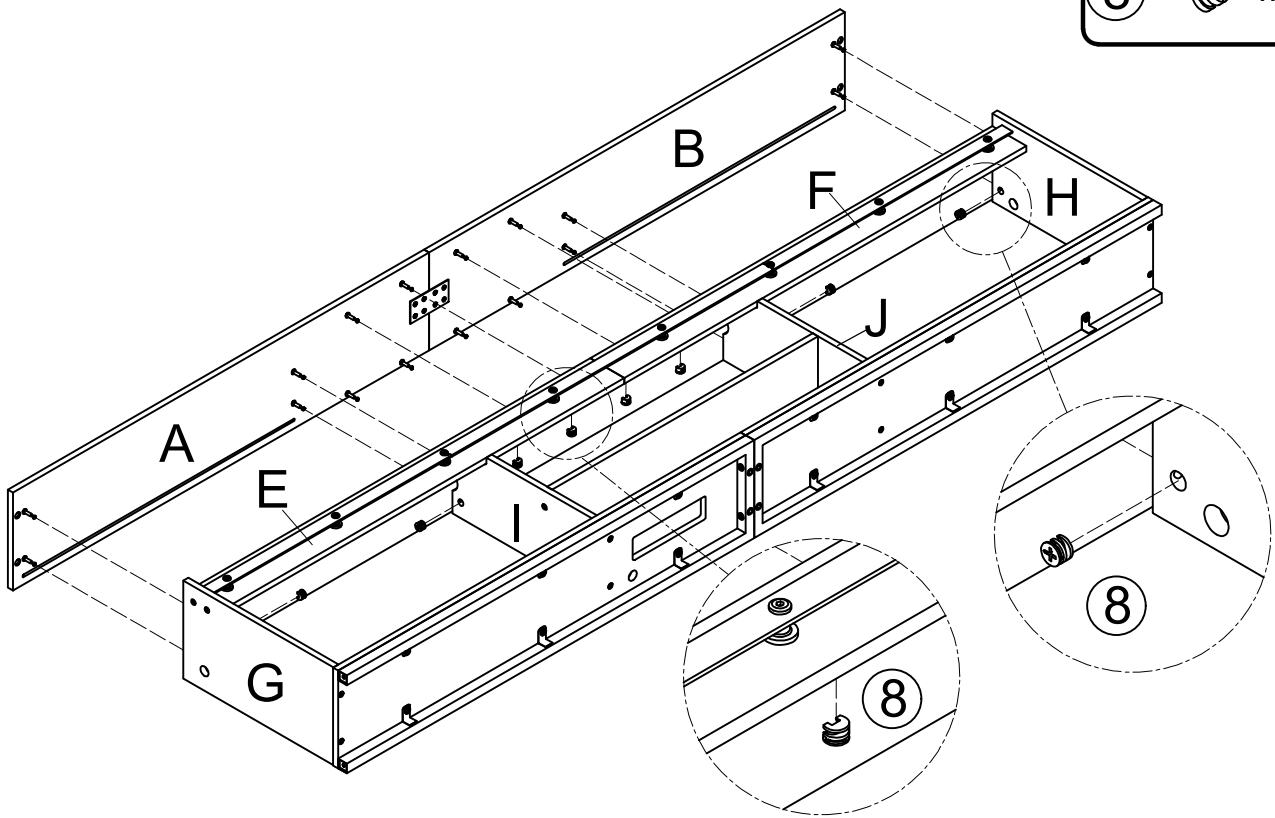


STEP 12



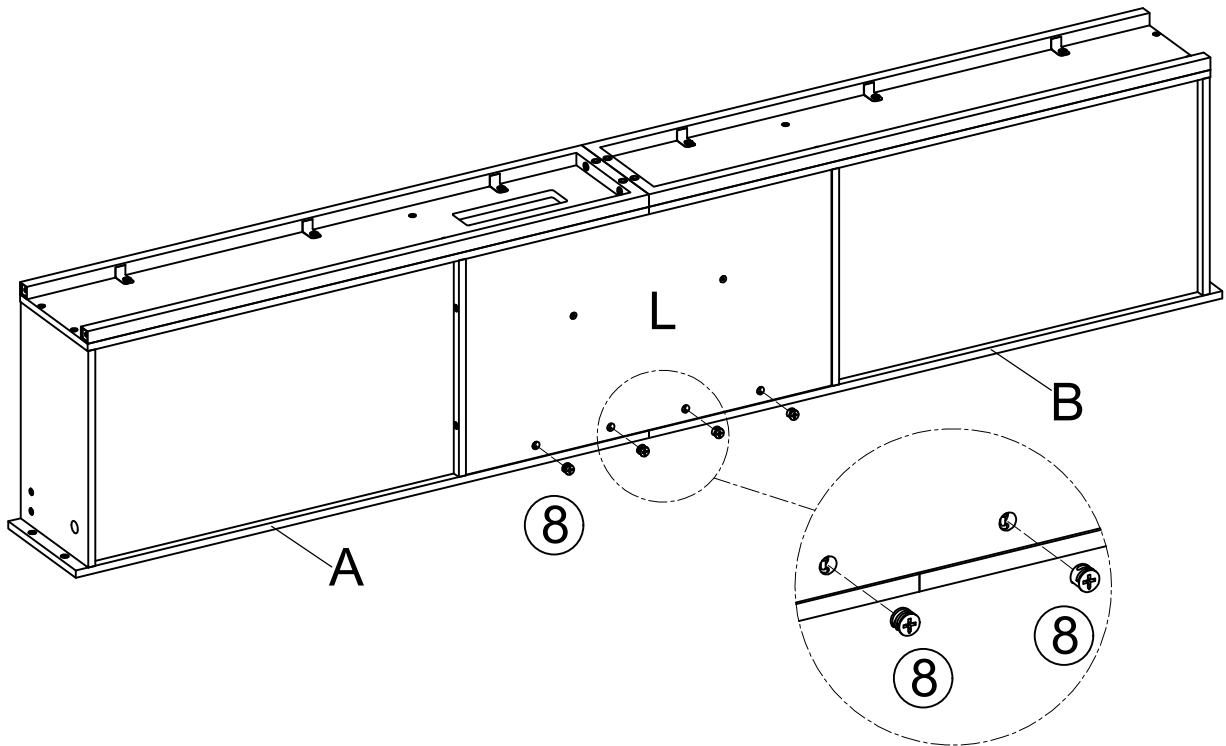
STEP 13

8  x12

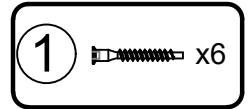


STEP 14

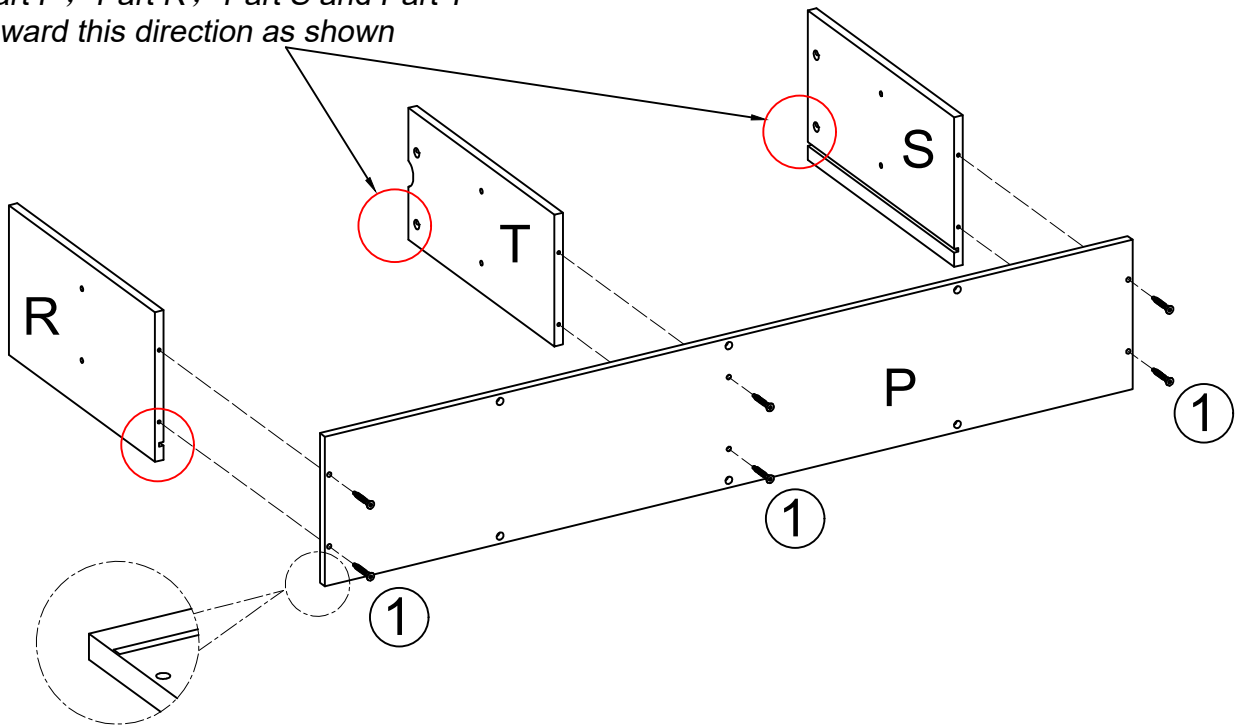
8  x4



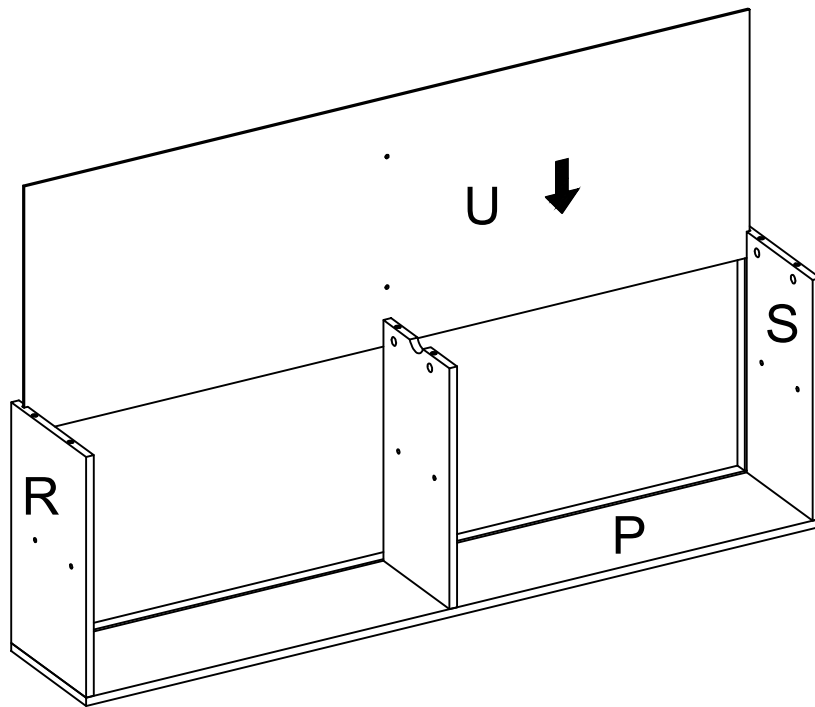
STEP 15



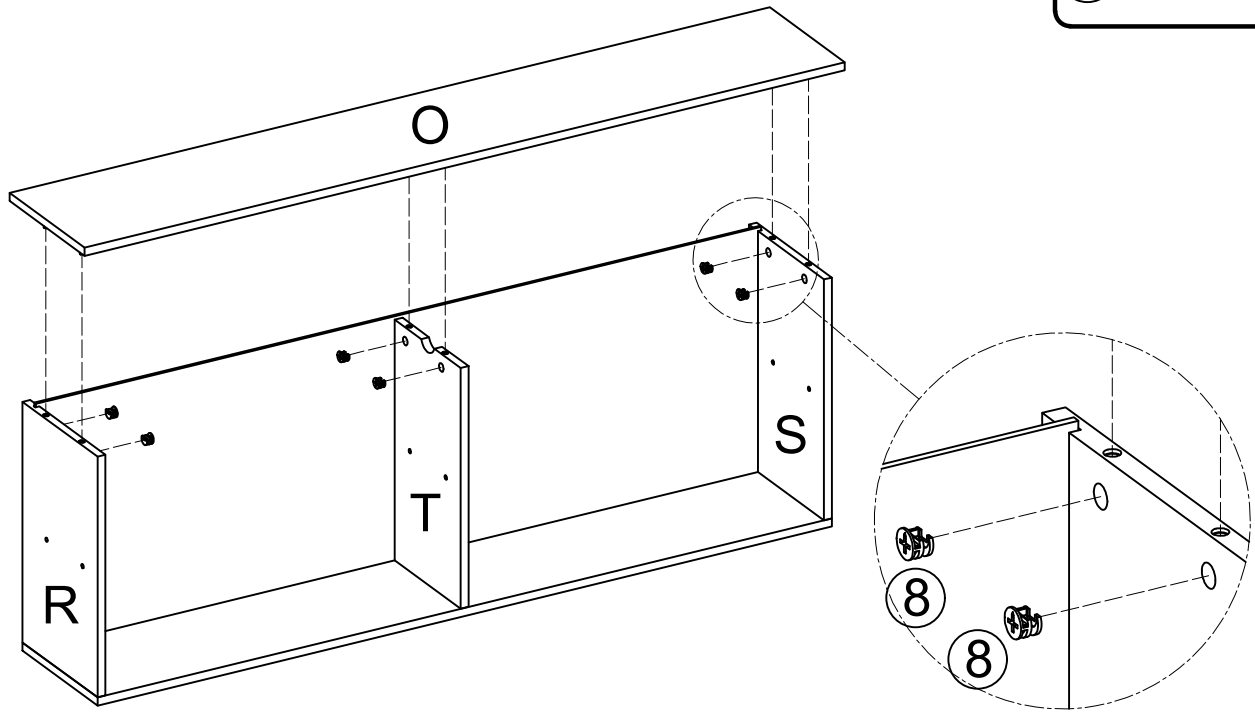
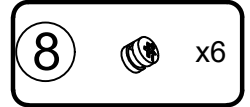
Keep the holes of the Part P, Part R, Part S and Part T toward this direction as shown



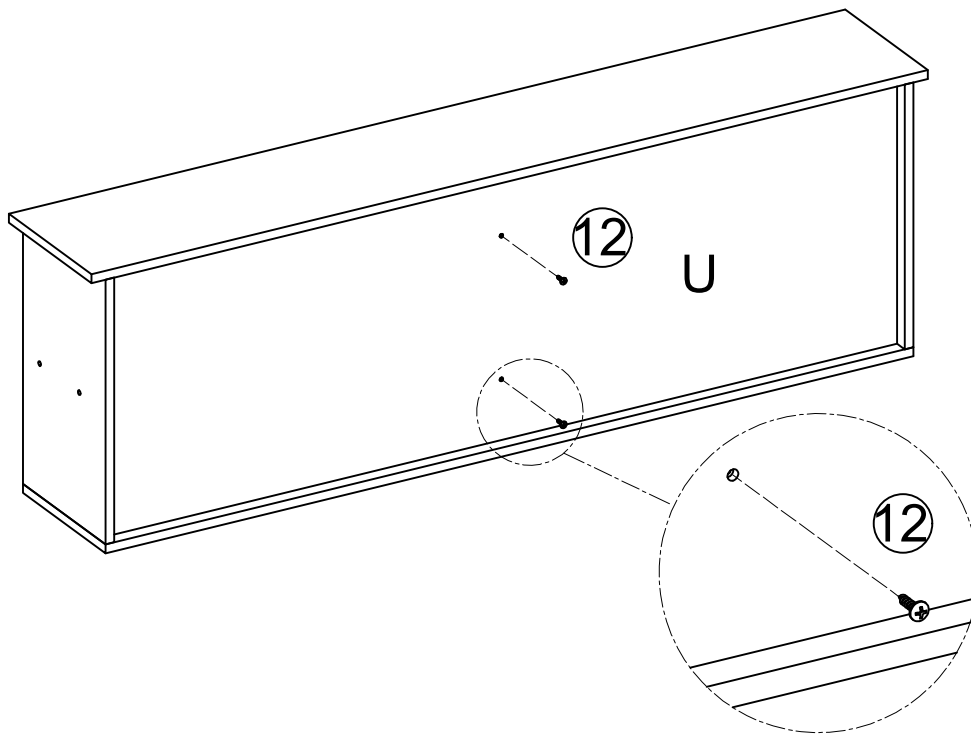
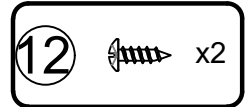
STEP 16



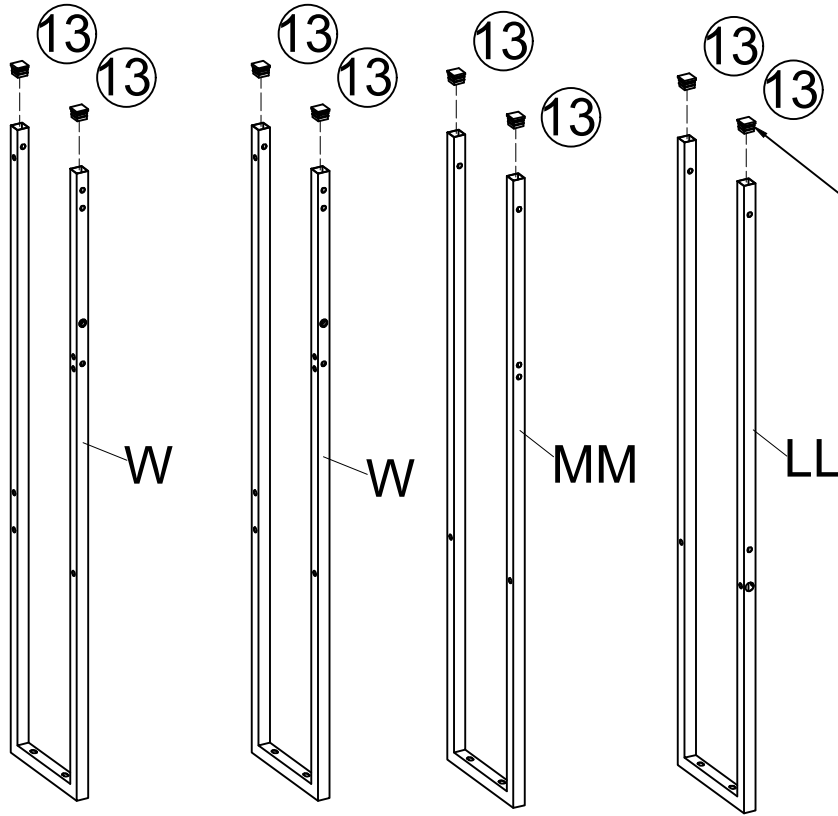
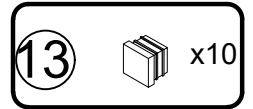
STEP 17



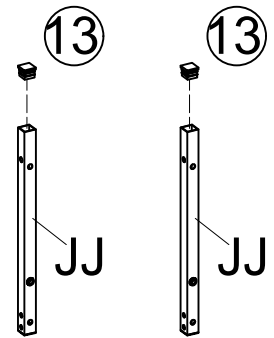
STEP 18



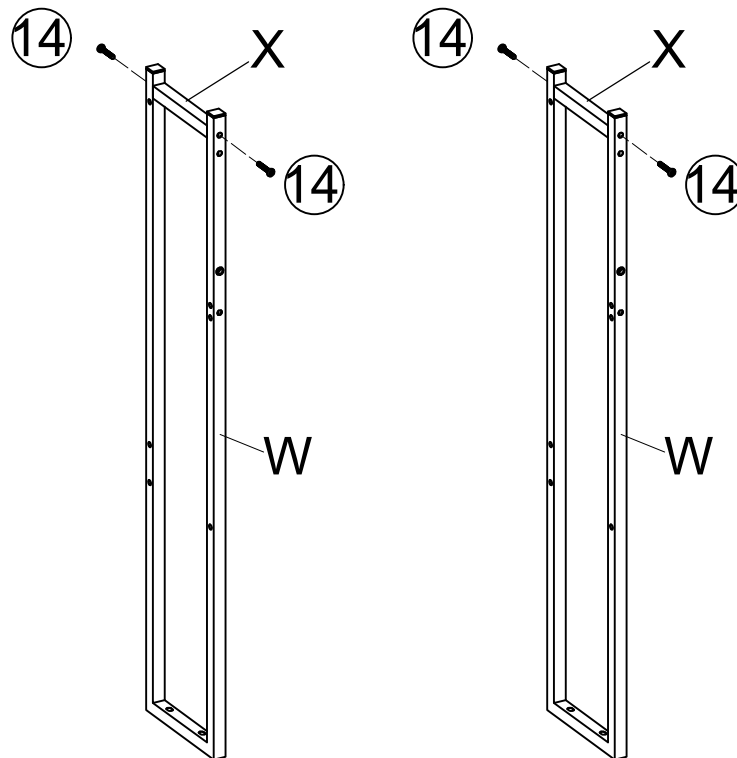
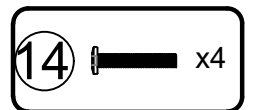
STEP 19



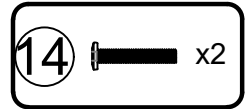
*Please use a hammer or solid tools (not included) to knock the footpads into the frame.*



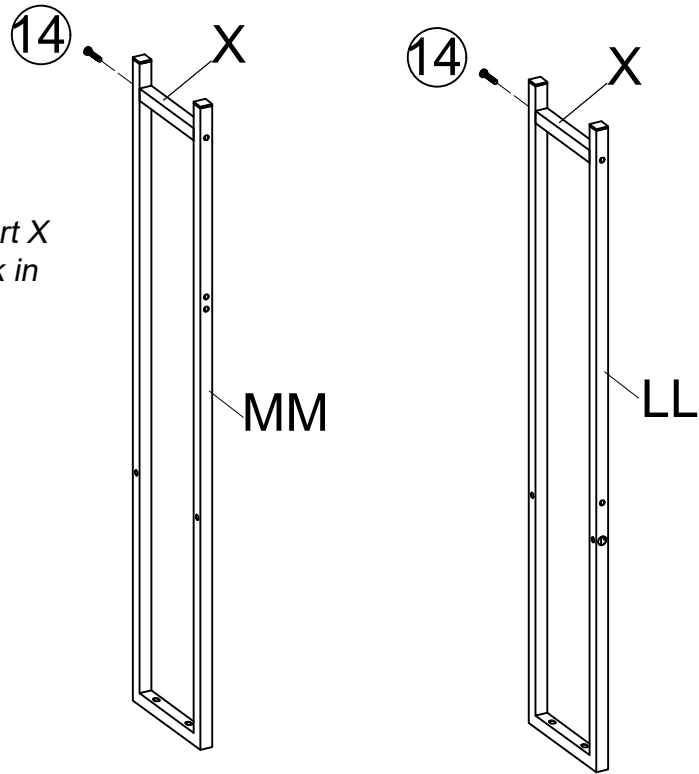
STEP 20



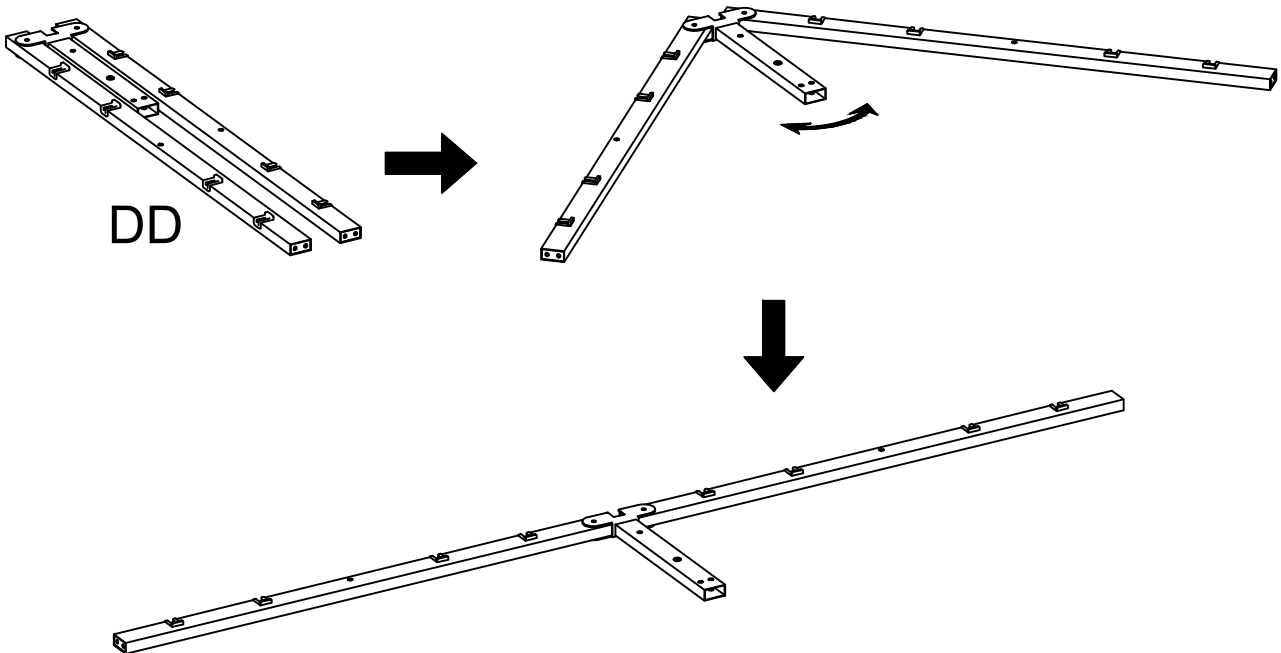
STEP 21



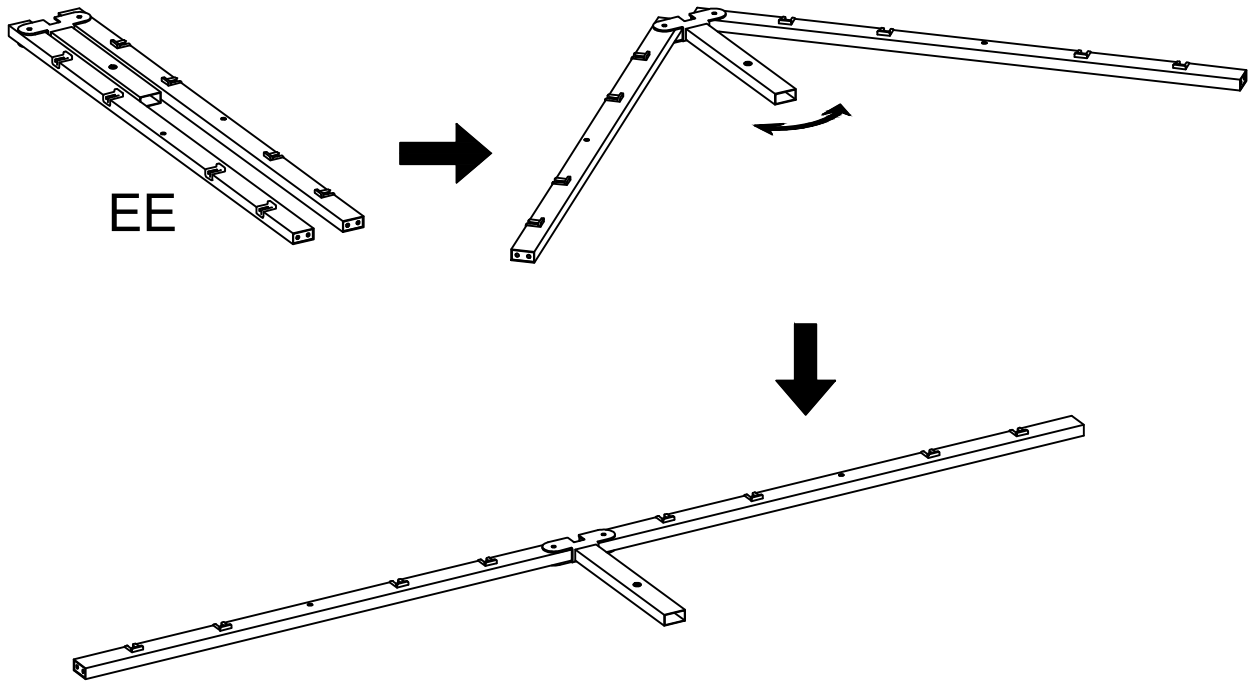
*Please notice that install Part X with only one bolt from back in this step*



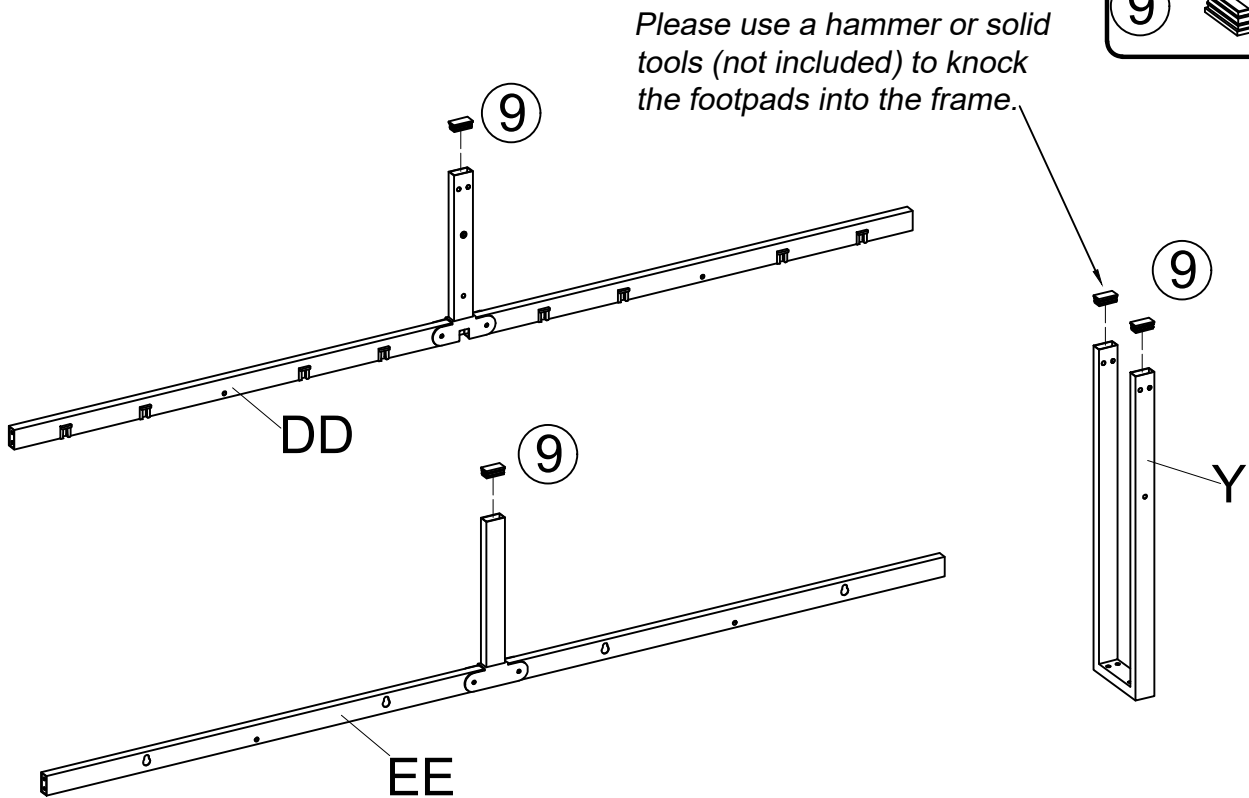
STEP 22



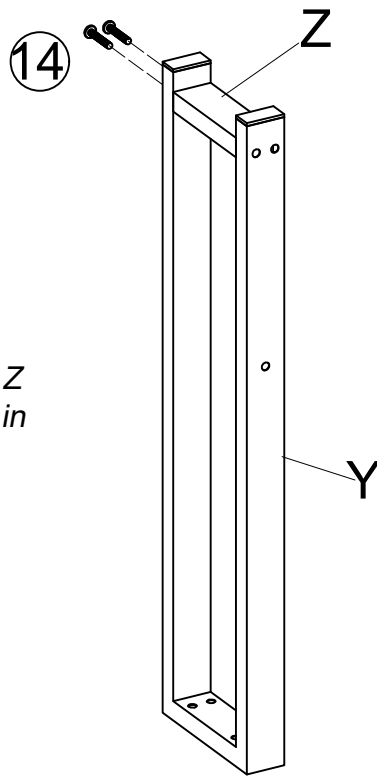
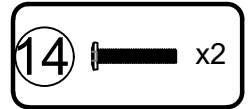
STEP 23



STEP 24

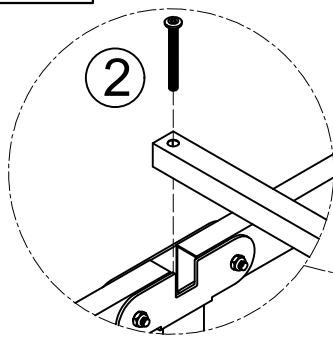
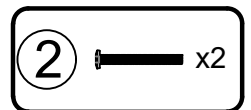


STEP 25

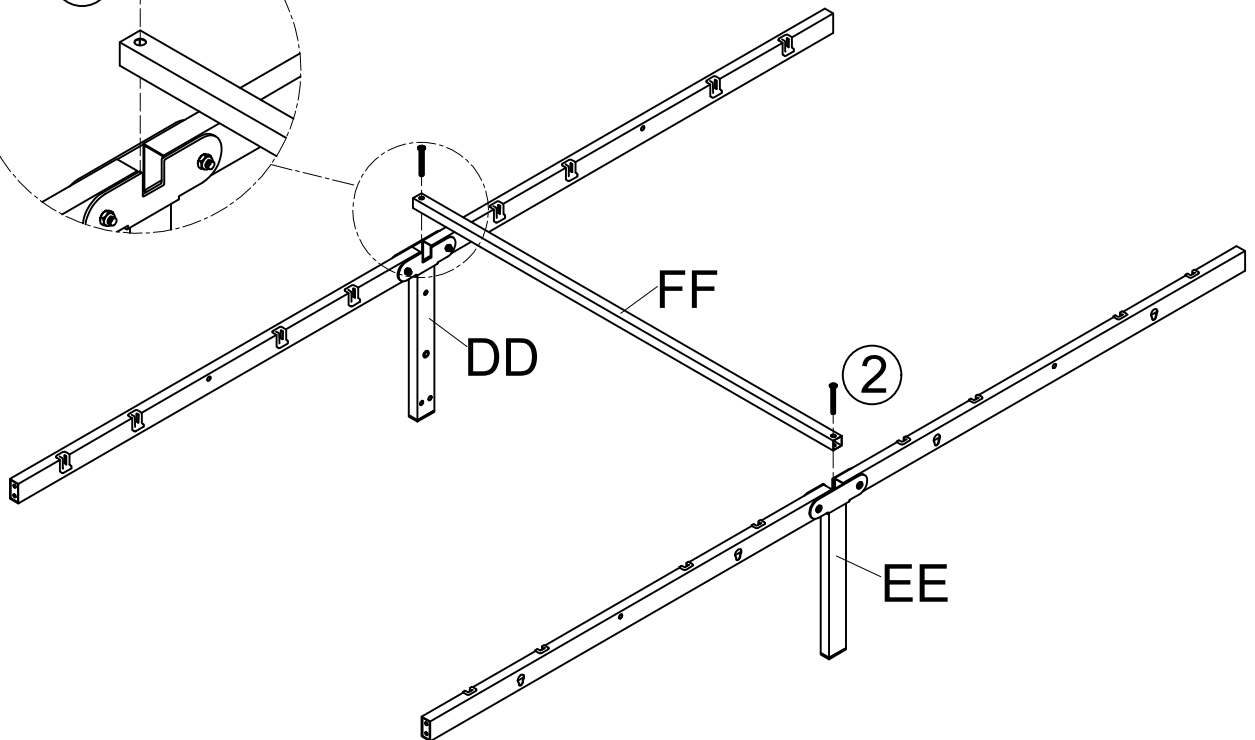


*Please notice that install Part Z with only two bolts from back in this step*

STEP 26

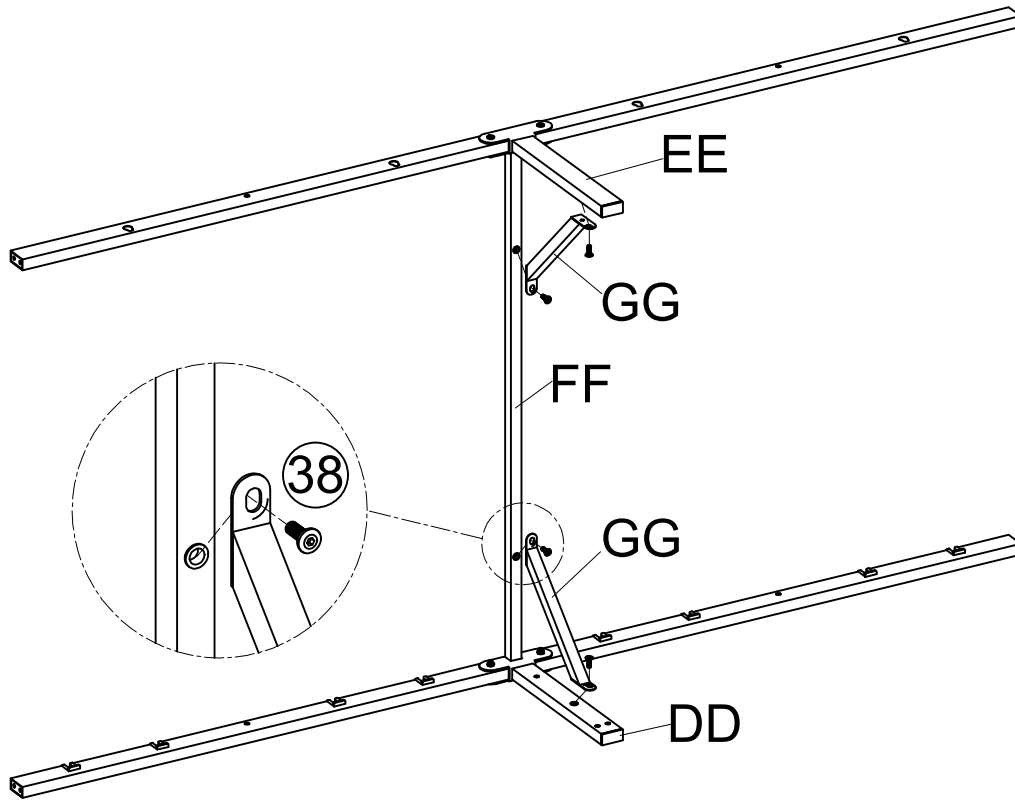


*Keep the holes of the Part FF toward this direction as shown*



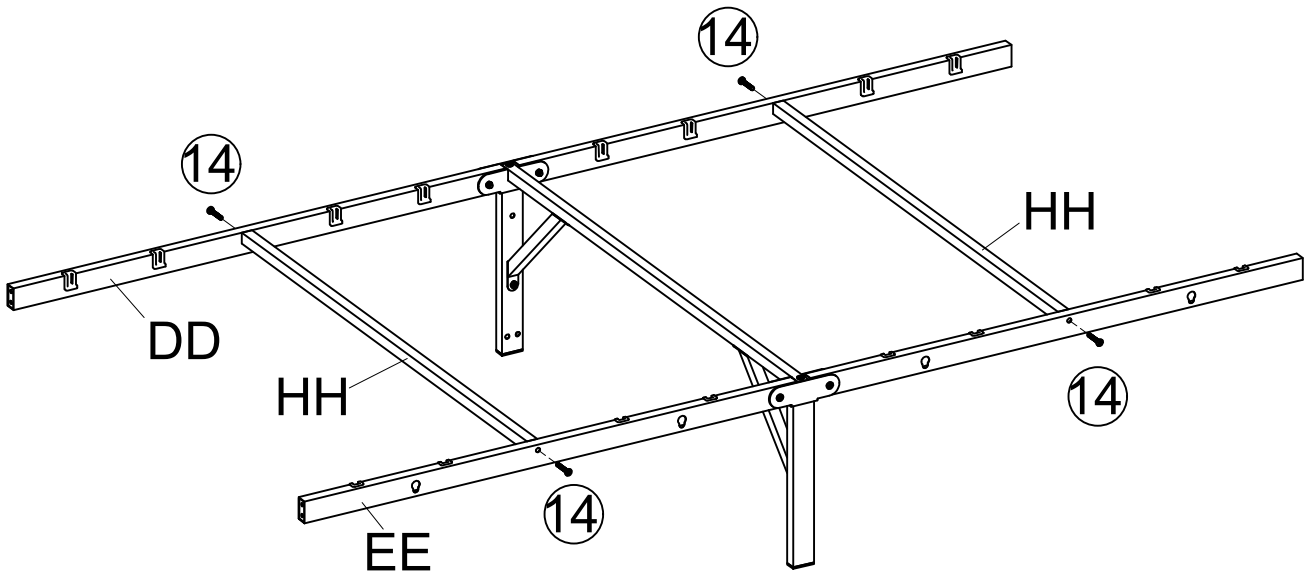
STEP 27

38  x4





STEP 28

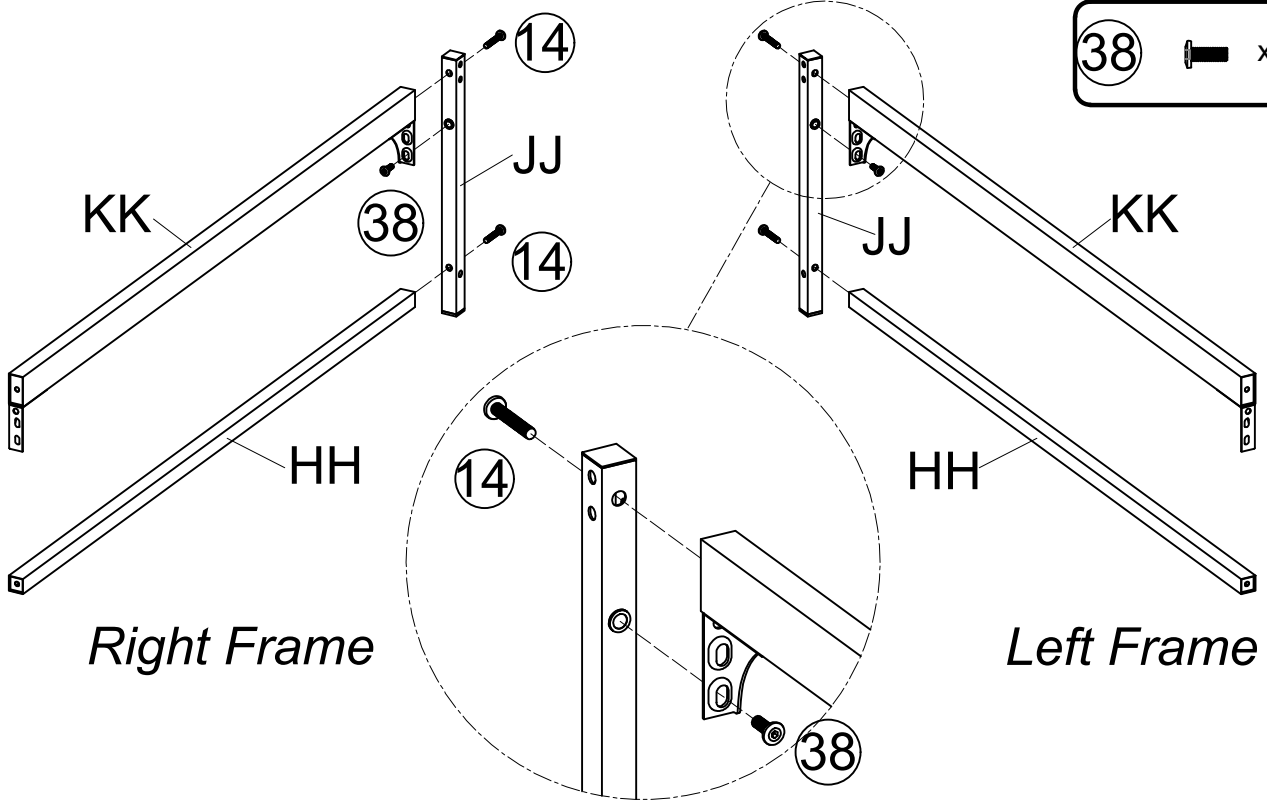
14  x4



STEP 29


Keep the holes of the Part KK toward this direction as shown

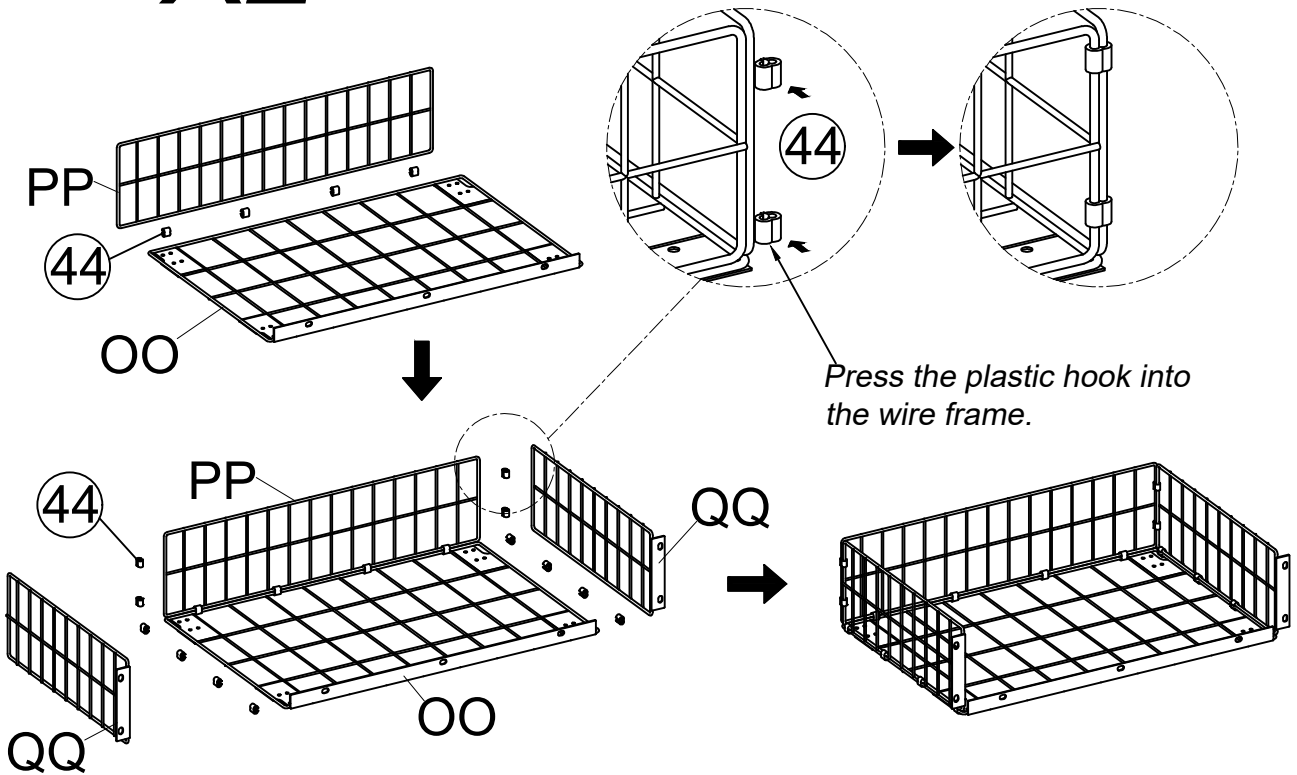
- 14  x4
- 38  x2



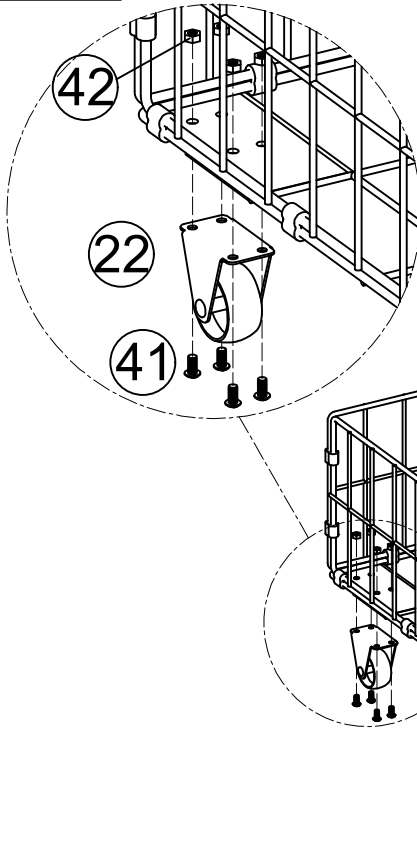
STEP 30

X2




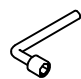
- 44  x32



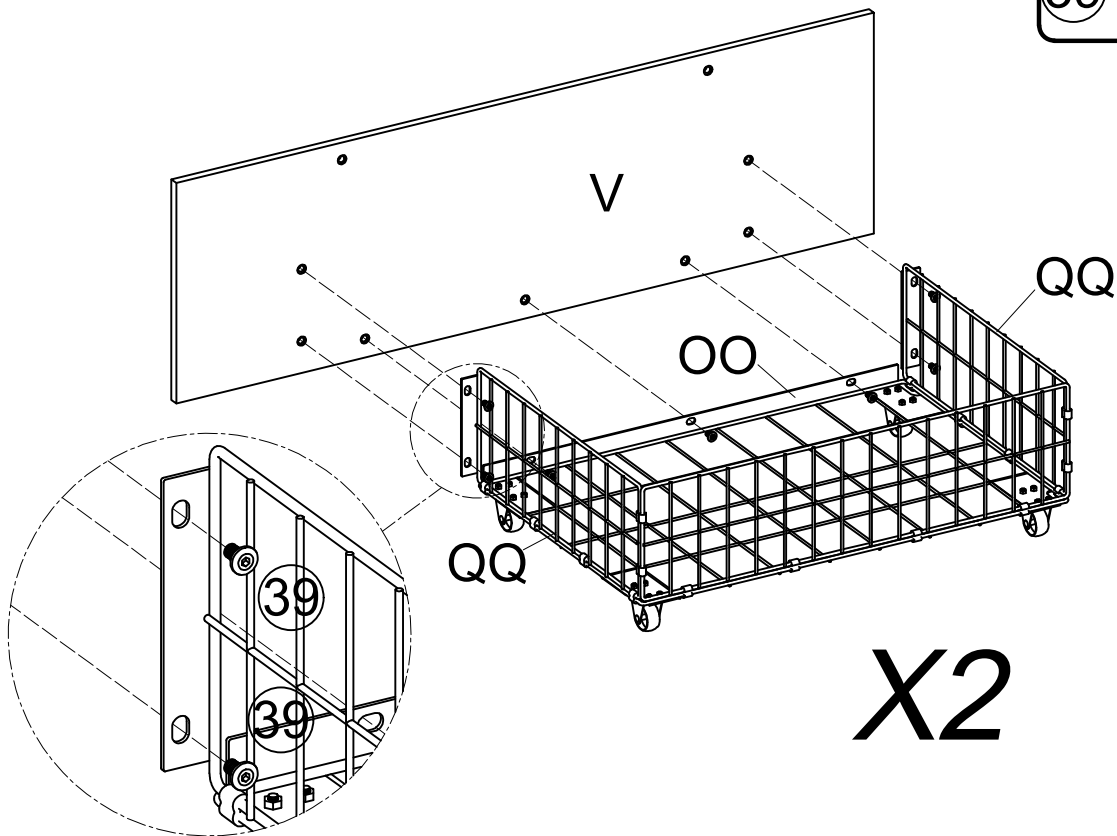
STEP 31




X2

- 22  x8
- 41  x32
- 42  x32
- 43  x1

STEP 32



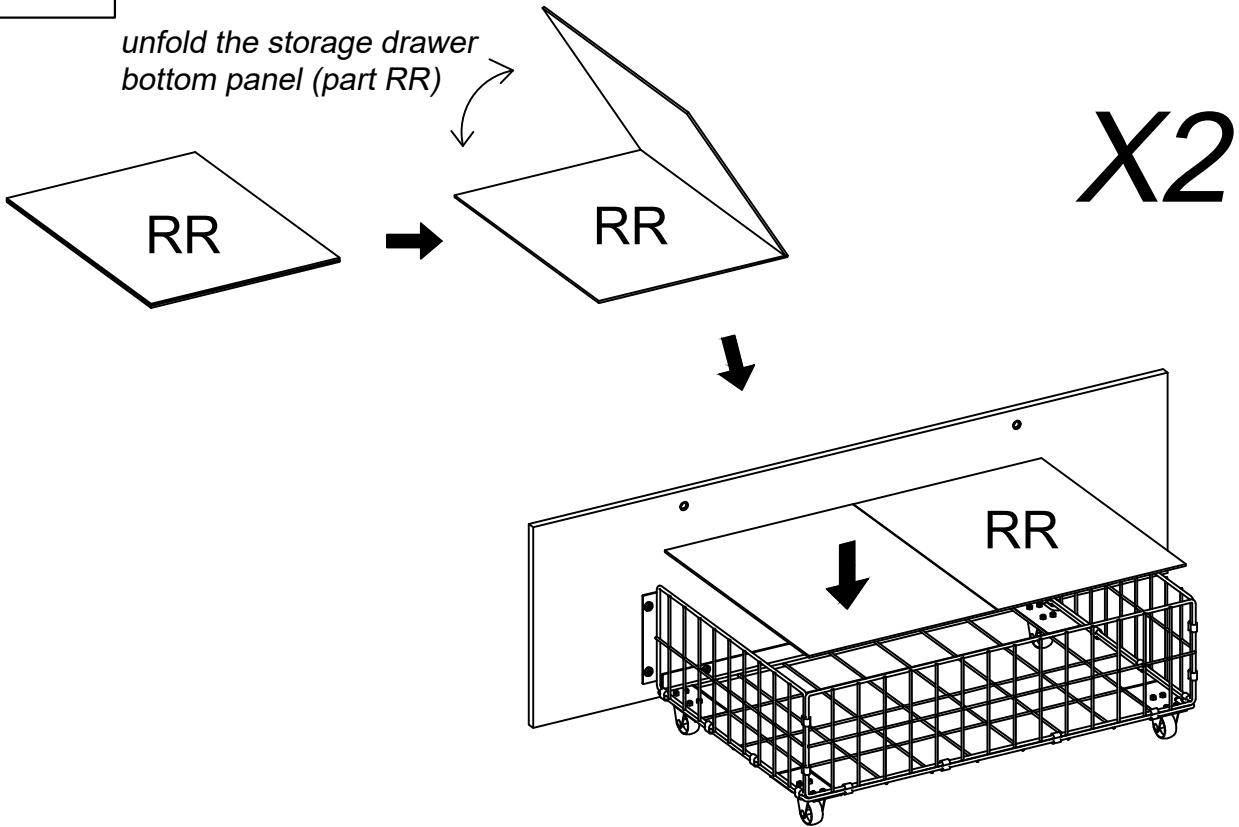
- 39  x14

X2

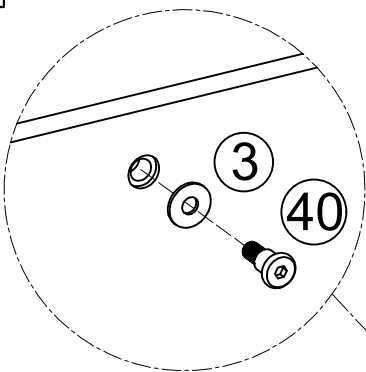


STEP 33

unfold the storage drawer  
bottom panel (part RR)

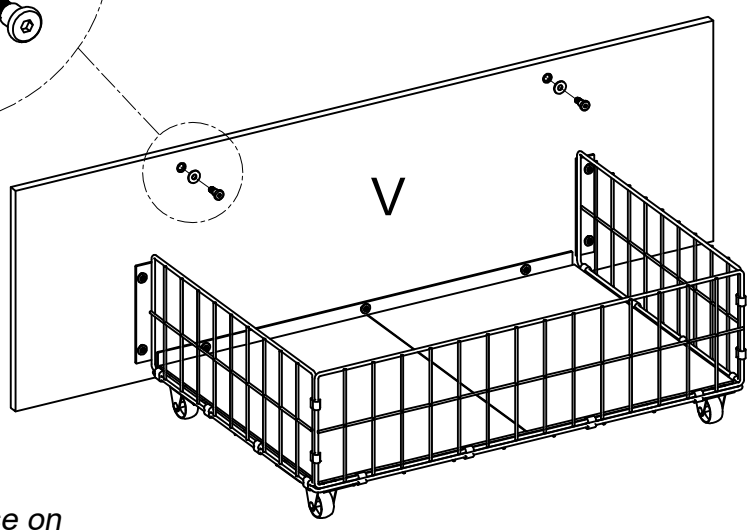


STEP 34



X2



- 3 x4
- 40 x4

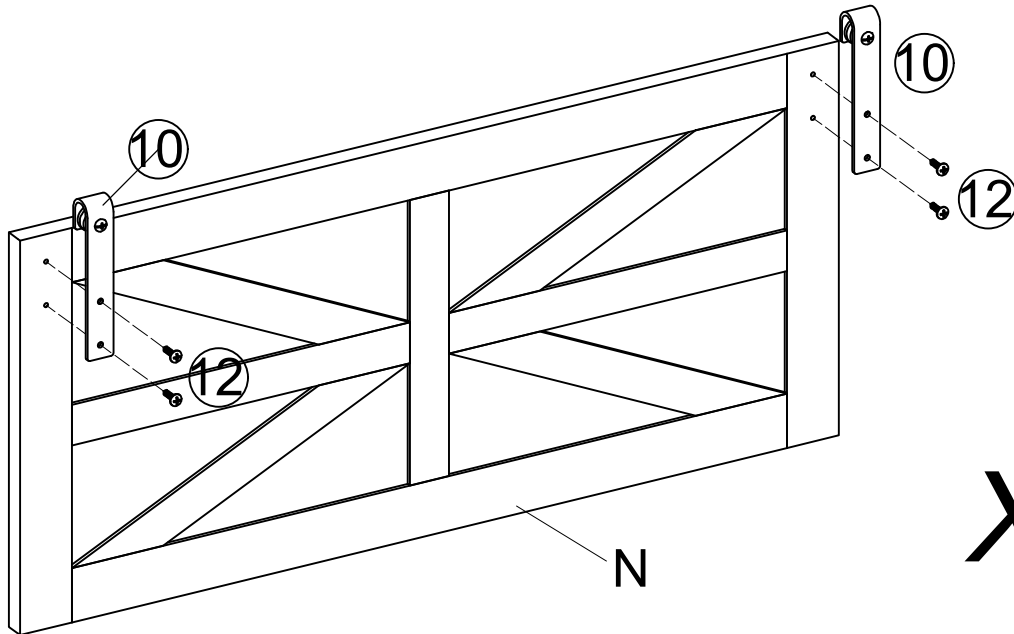


**NOTICE:**  
The installation for all the  
two storage drawers is base on  
the five steps (30-34) above.





STEP 35

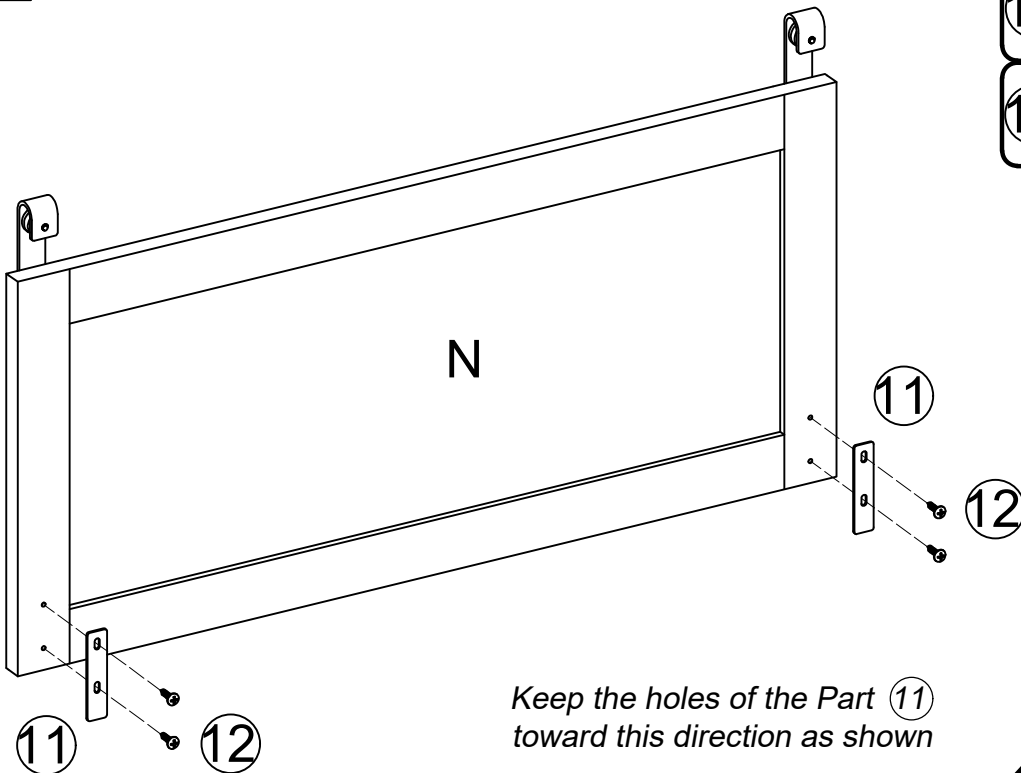
- ⑩  x4
- ⑫  x8



X2

STEP 36

- ⑪  x4
- ⑫  x8



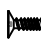
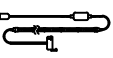


Keep the holes of the Part ⑪ toward this direction as shown

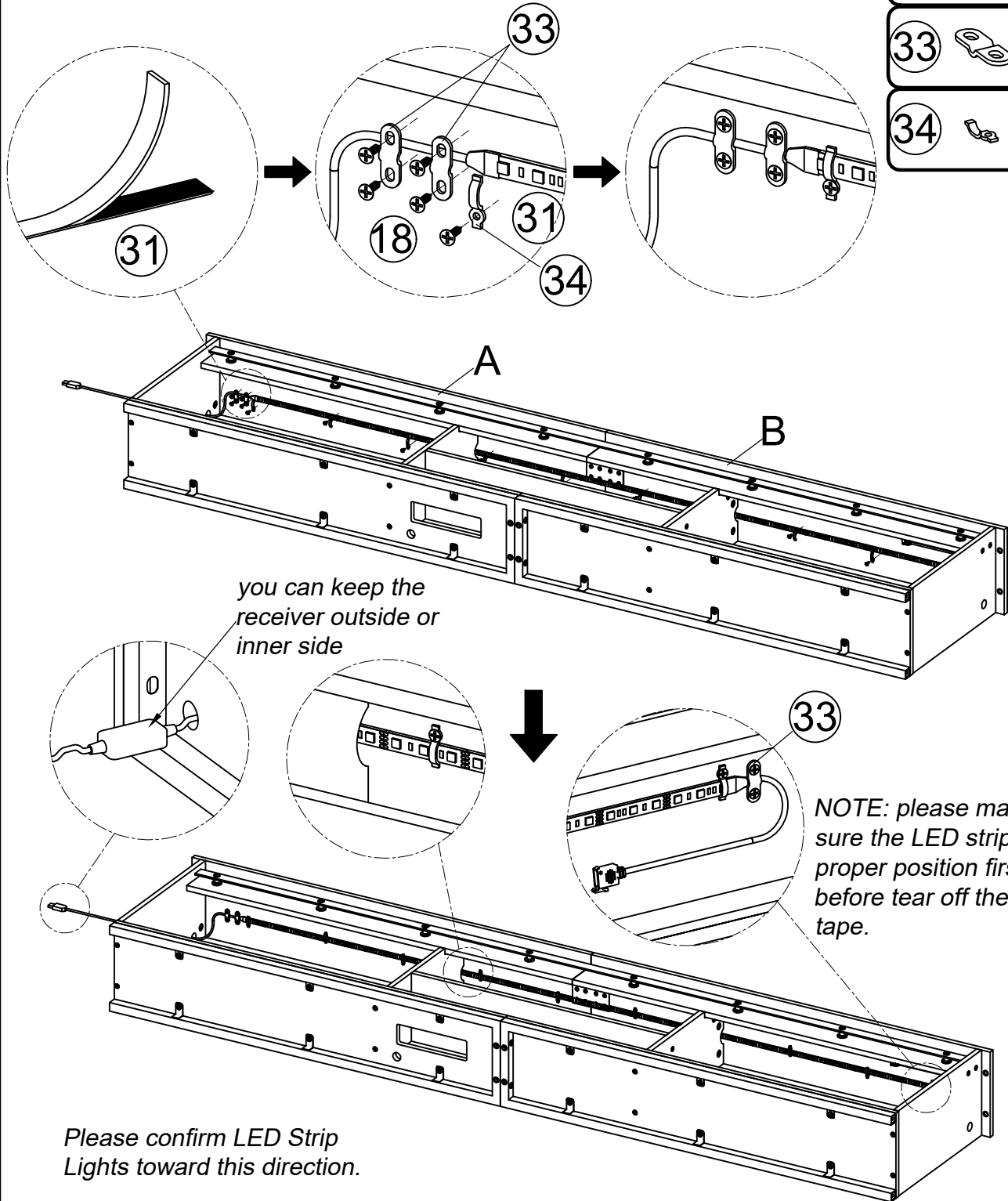
X2

# Option A

STEP 37

Tear off the tape of the LED strip, stick the LED strip roughly in the center of the bottom of top panels (A&B).  
Fix the LED strip with plastic clips.  
Note: Do not cover the lamp beads.





- 18**  x16
- 31**  x1
- 33**  x3
- 34**  x10

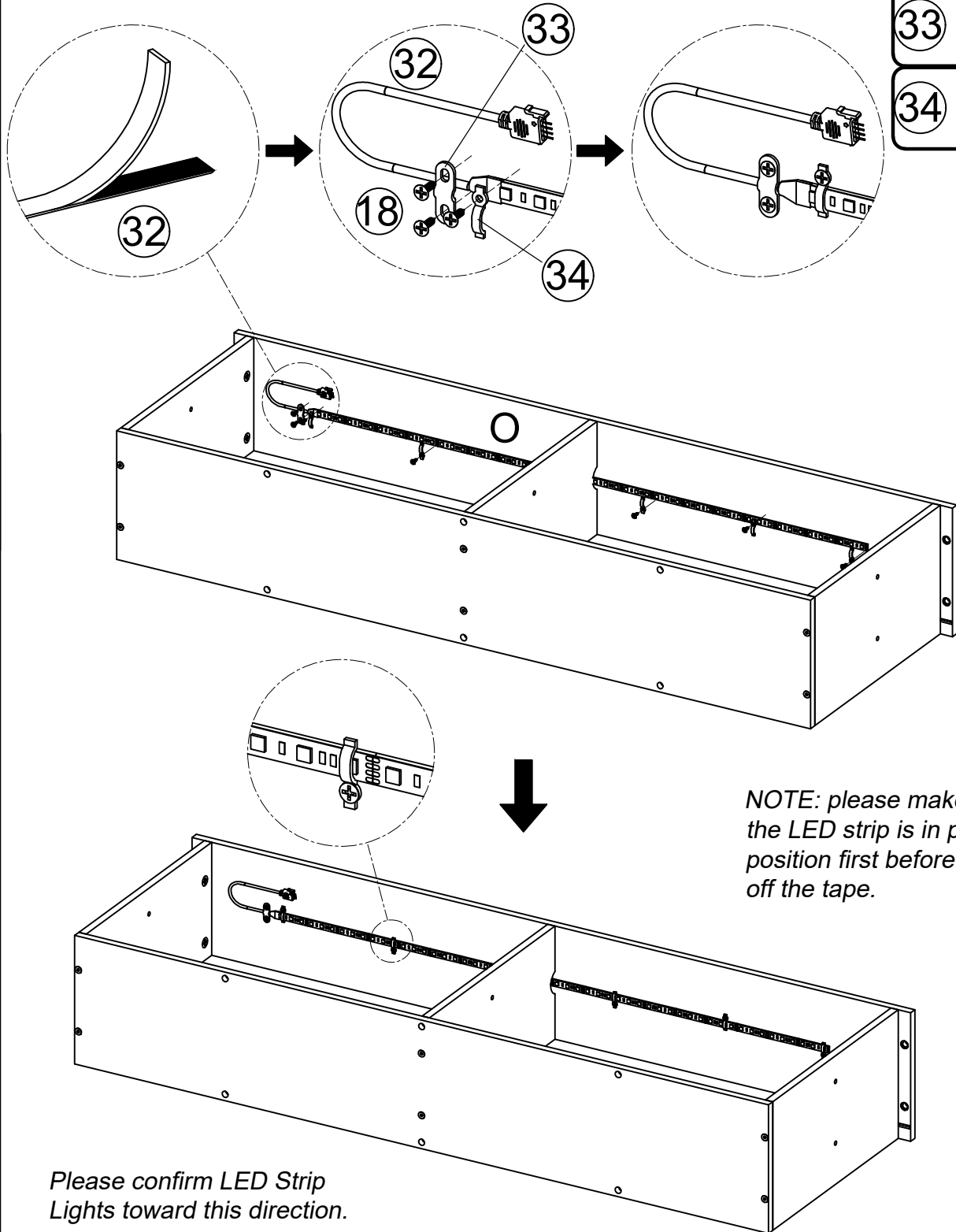




STEP 40

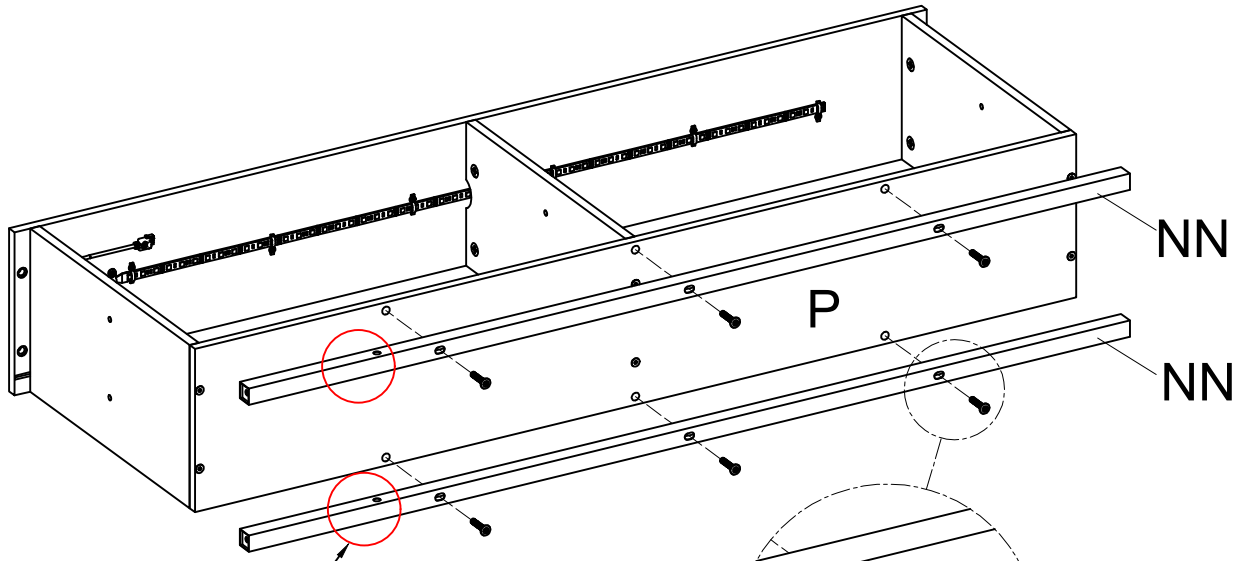
Tear off the tape of the LED strip, stick the LED strip roughly in the center of the bottom of top panel (O).  
Fix the LED strip with plastic clips.  
Note: Do not cover the lamp beads.

- 18  x8
- 32  x1
- 33  x1
- 34  x6

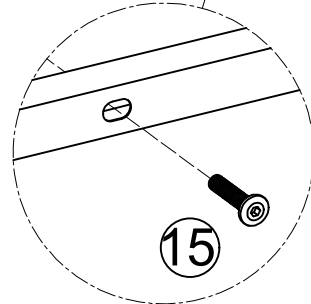


STEP 41

15 x6

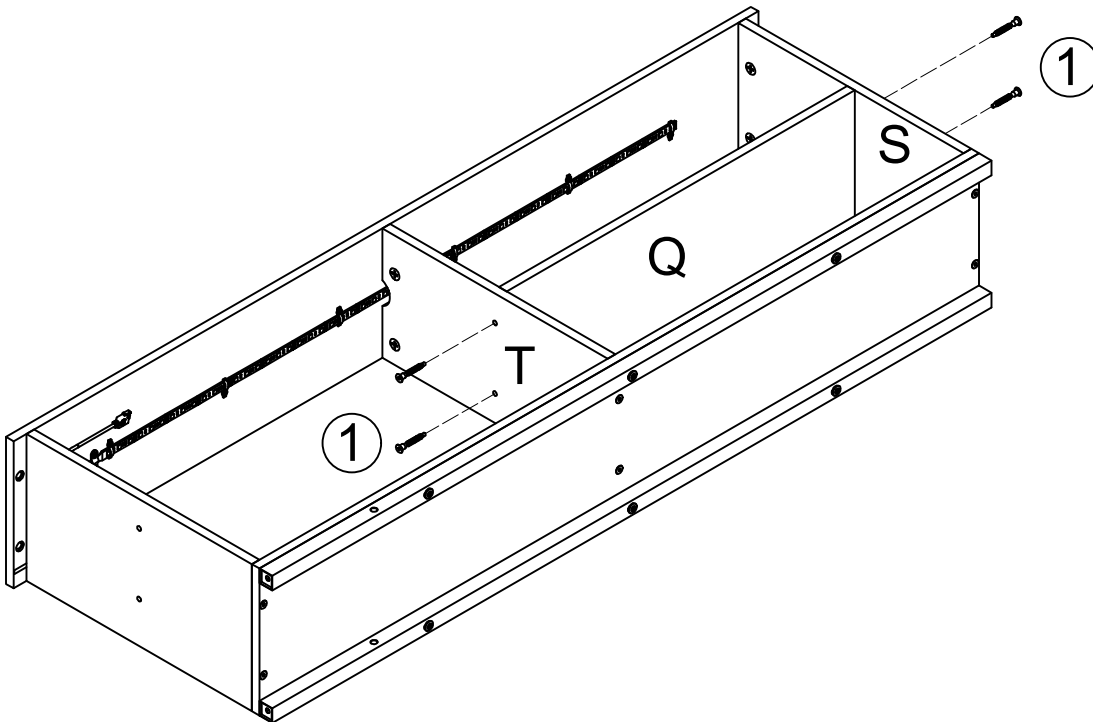


Keep the holes of the Part NN toward this direction as shown





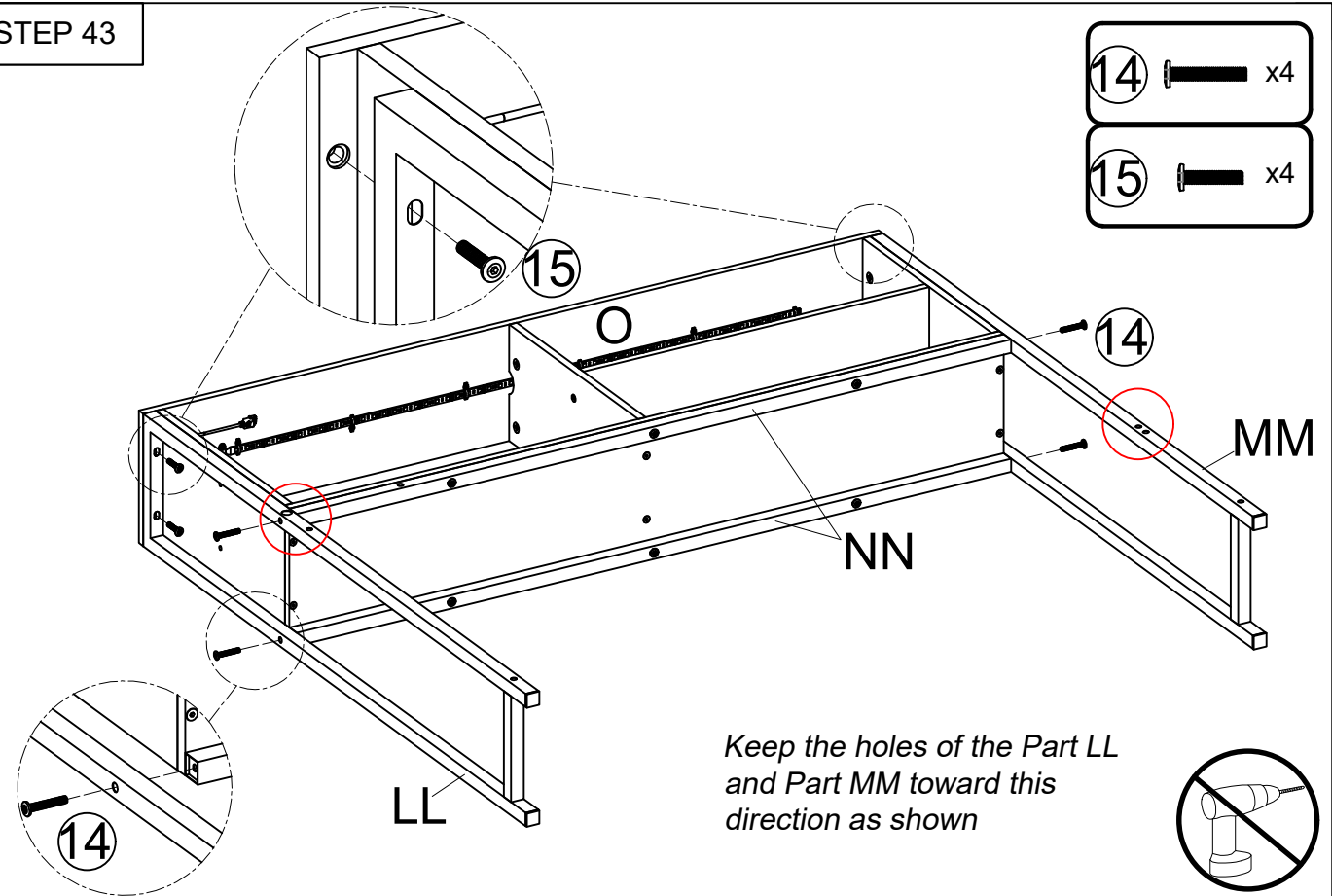
STEP 42

1 x4







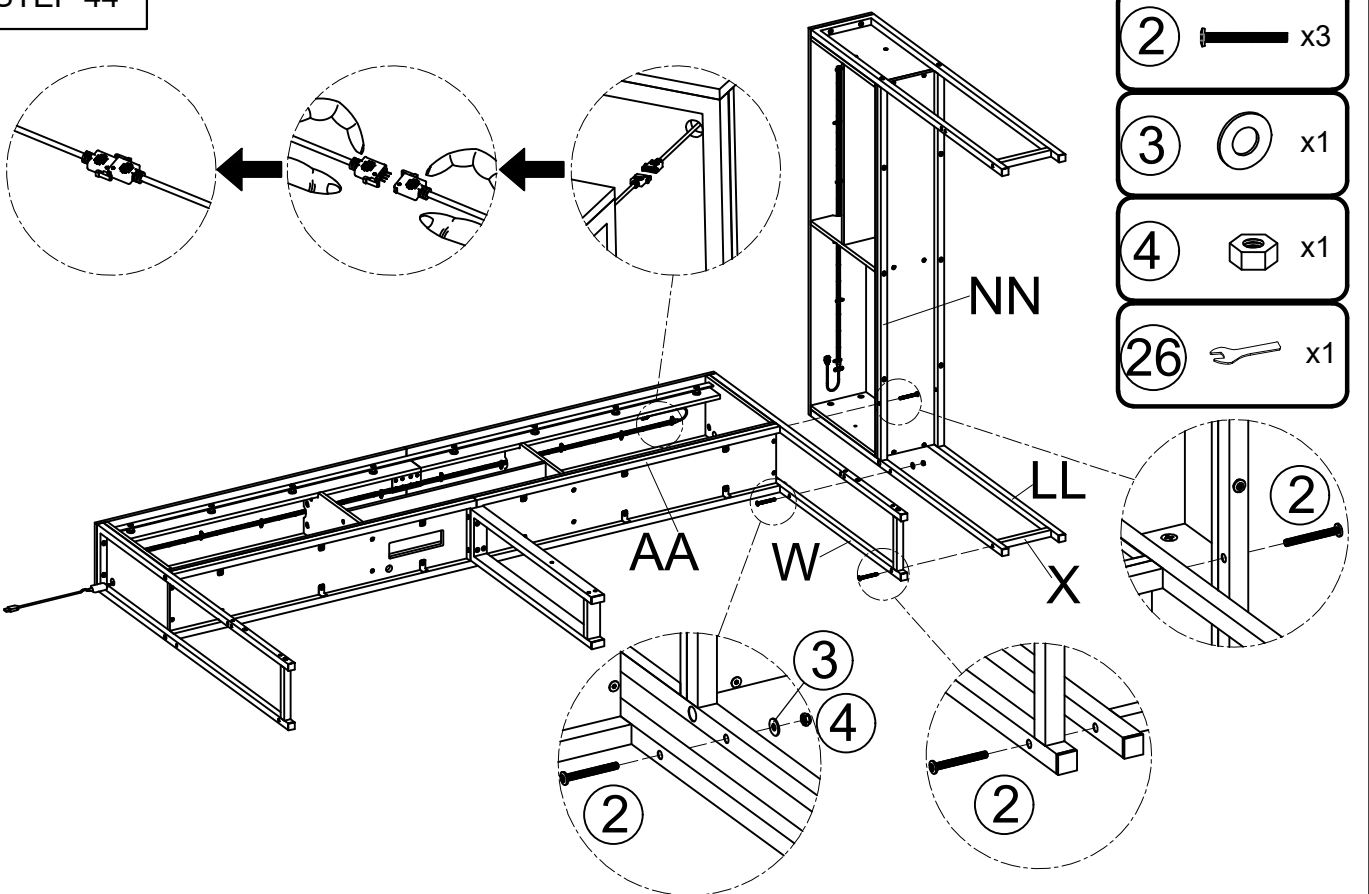
STEP 43

- 14  x4
- 15  x4

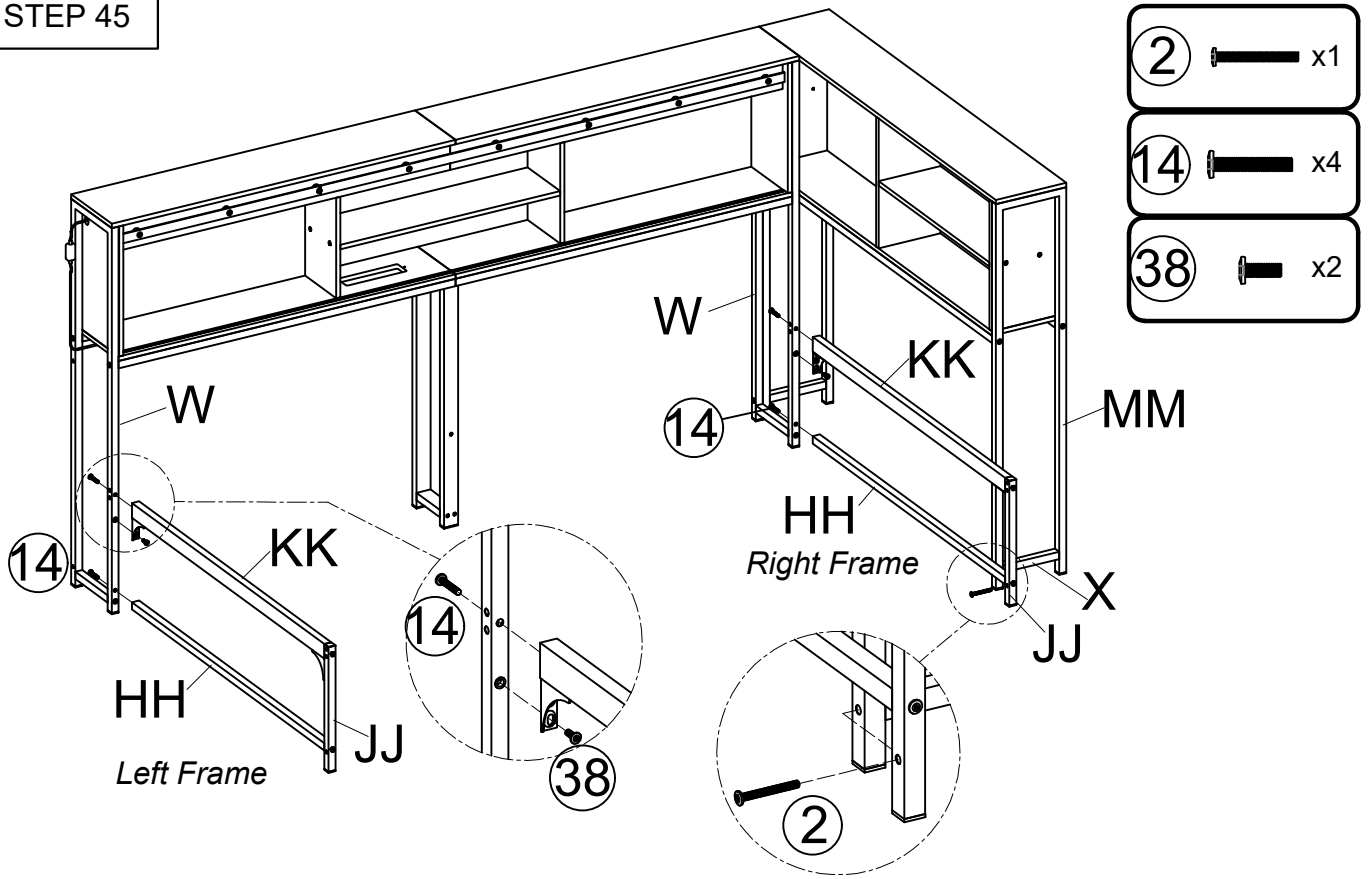


STEP 44

- 2  x3
- 3  x1
- 4  x1
- 26  x1

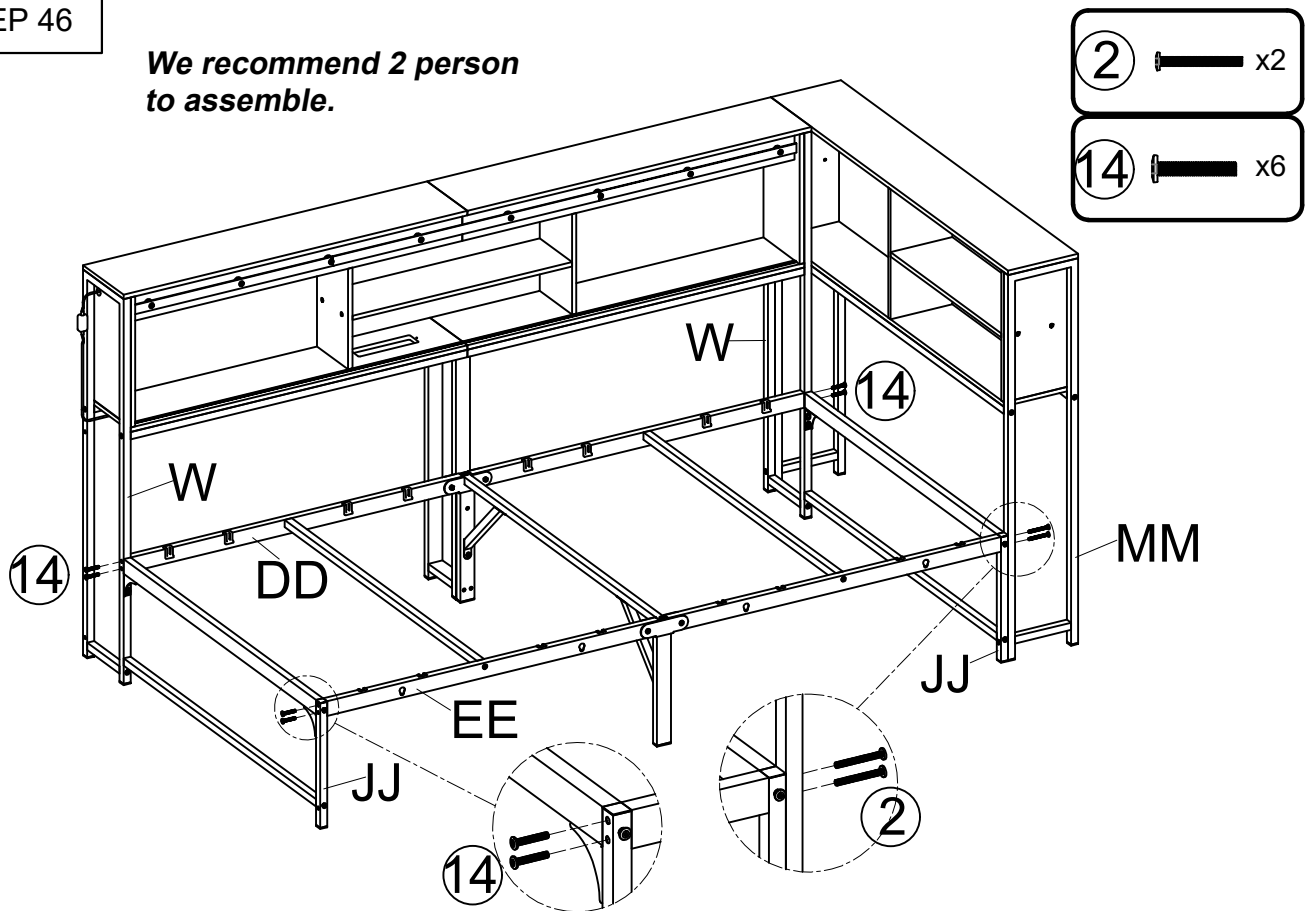


STEP 45

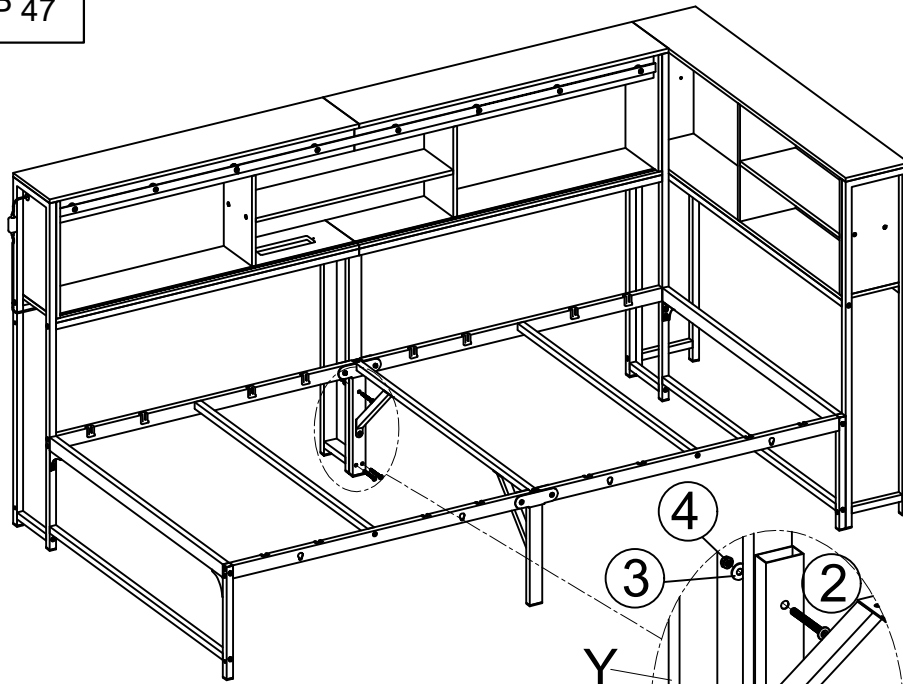


STEP 46

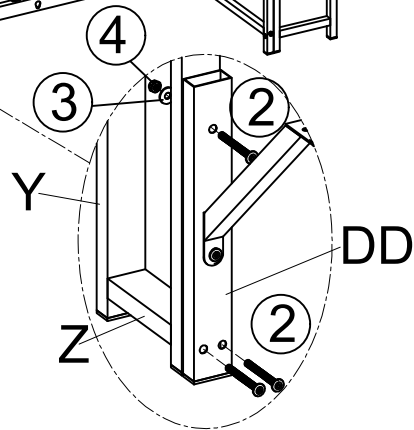
*We recommend 2 person to assemble.*



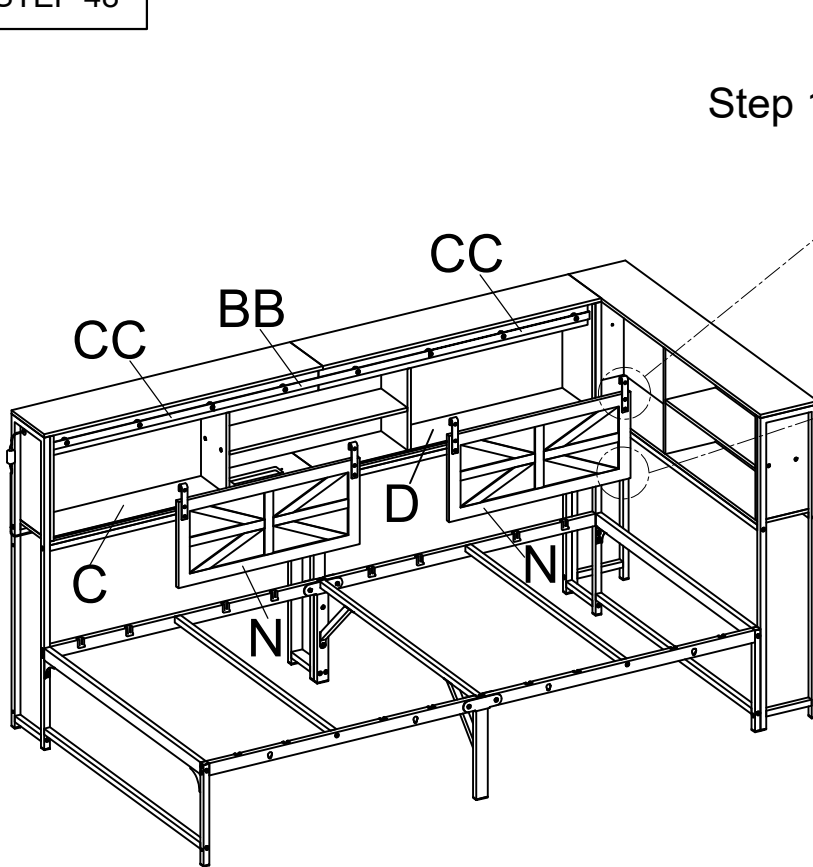
STEP 47



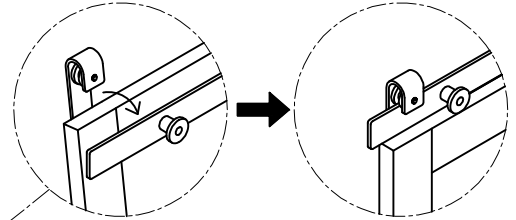
- 2 x3
- 3 x1
- 4 x1
- 26 x1



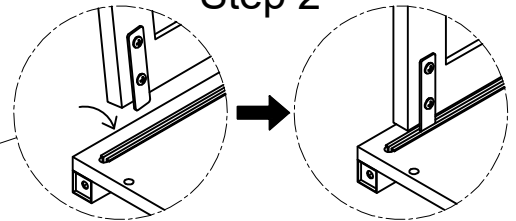
STEP 48



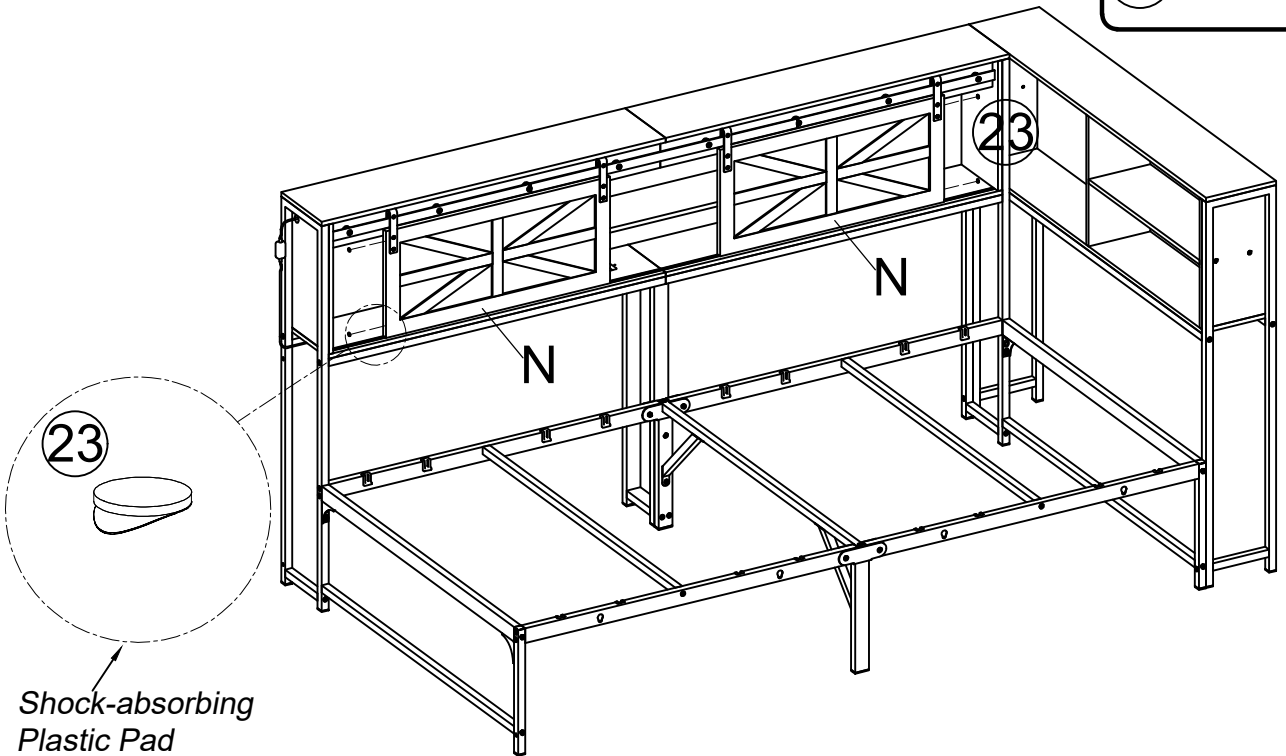
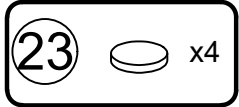
Step 1



Step 2

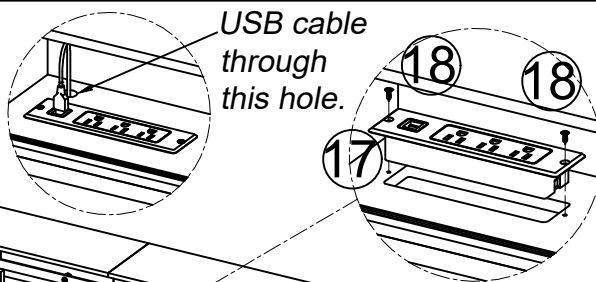


STEP 49

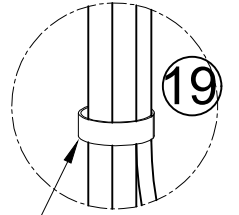
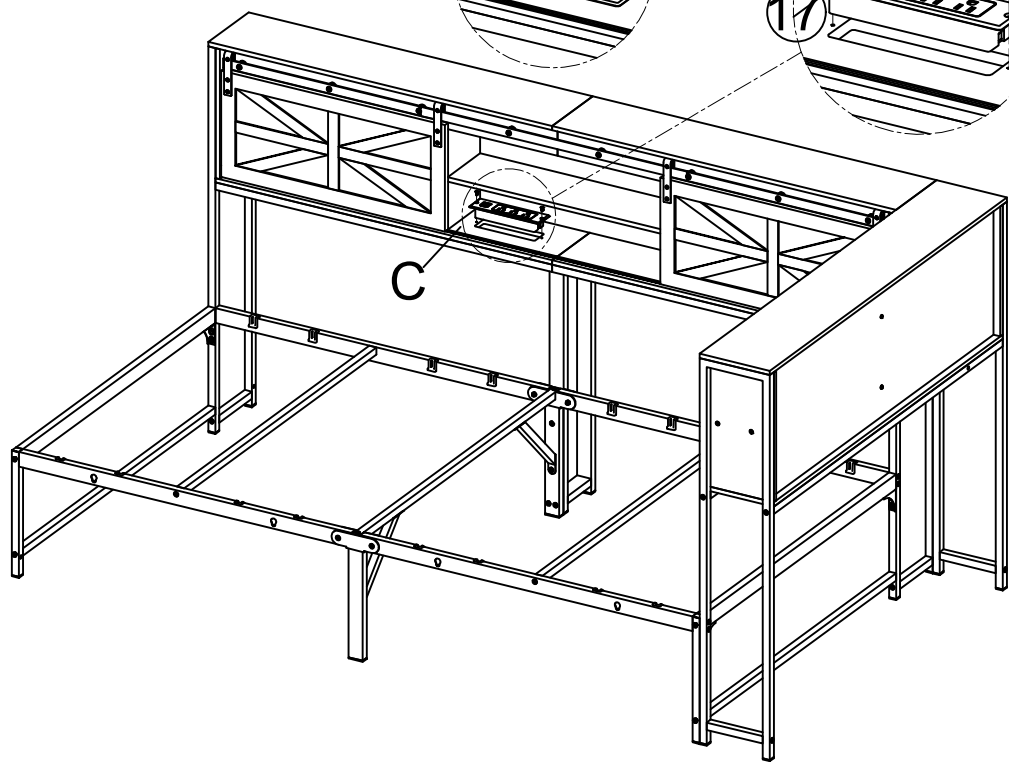
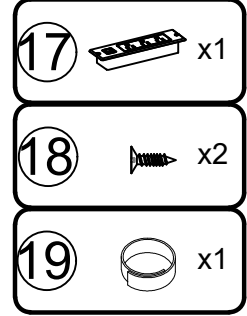


Shock-absorbing Plastic Pad

STEP 50





USB cable through this hole.

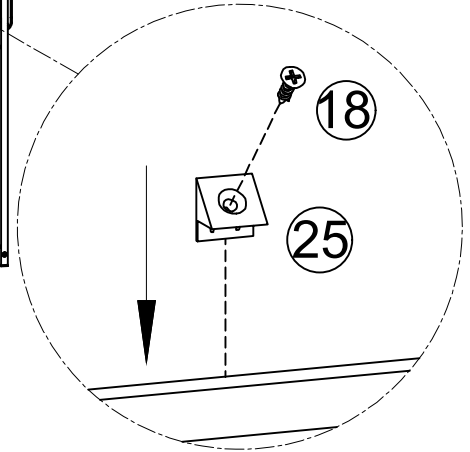
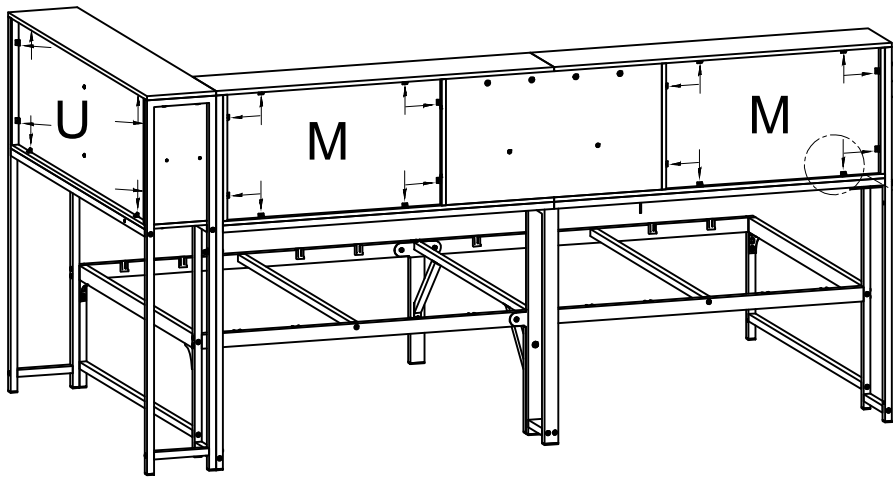


Hook-and-loop fastener can wrap the wires, making your bed look neater



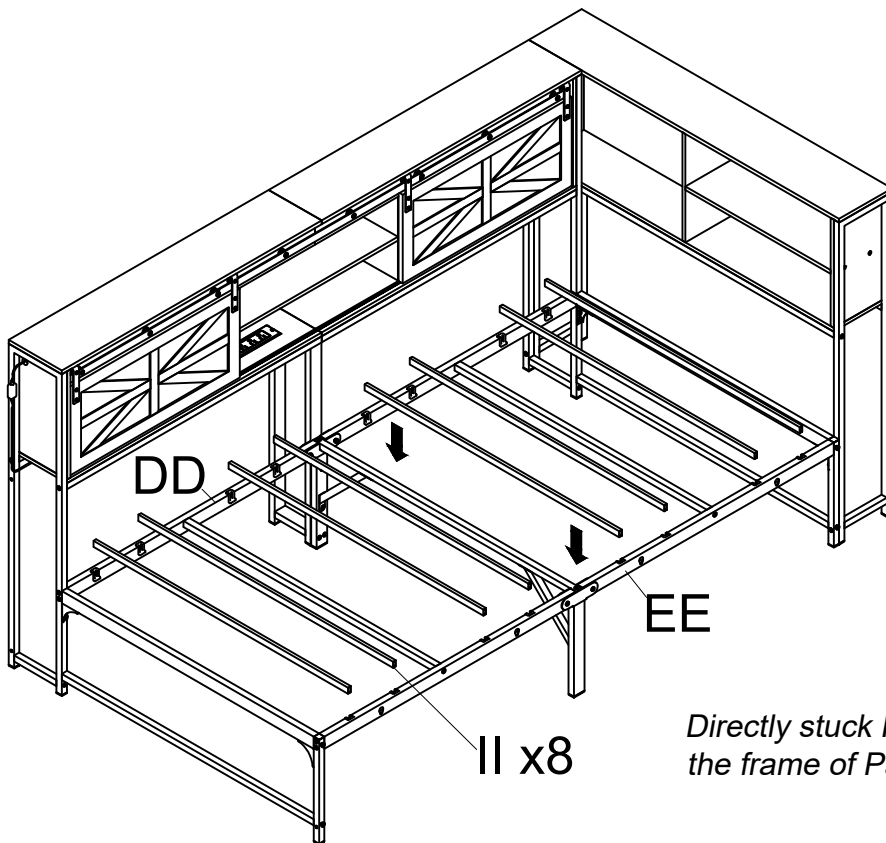
STEP 51

- 18  x24
- 25  x24






*Use the buckles to reinforce the back panel.*

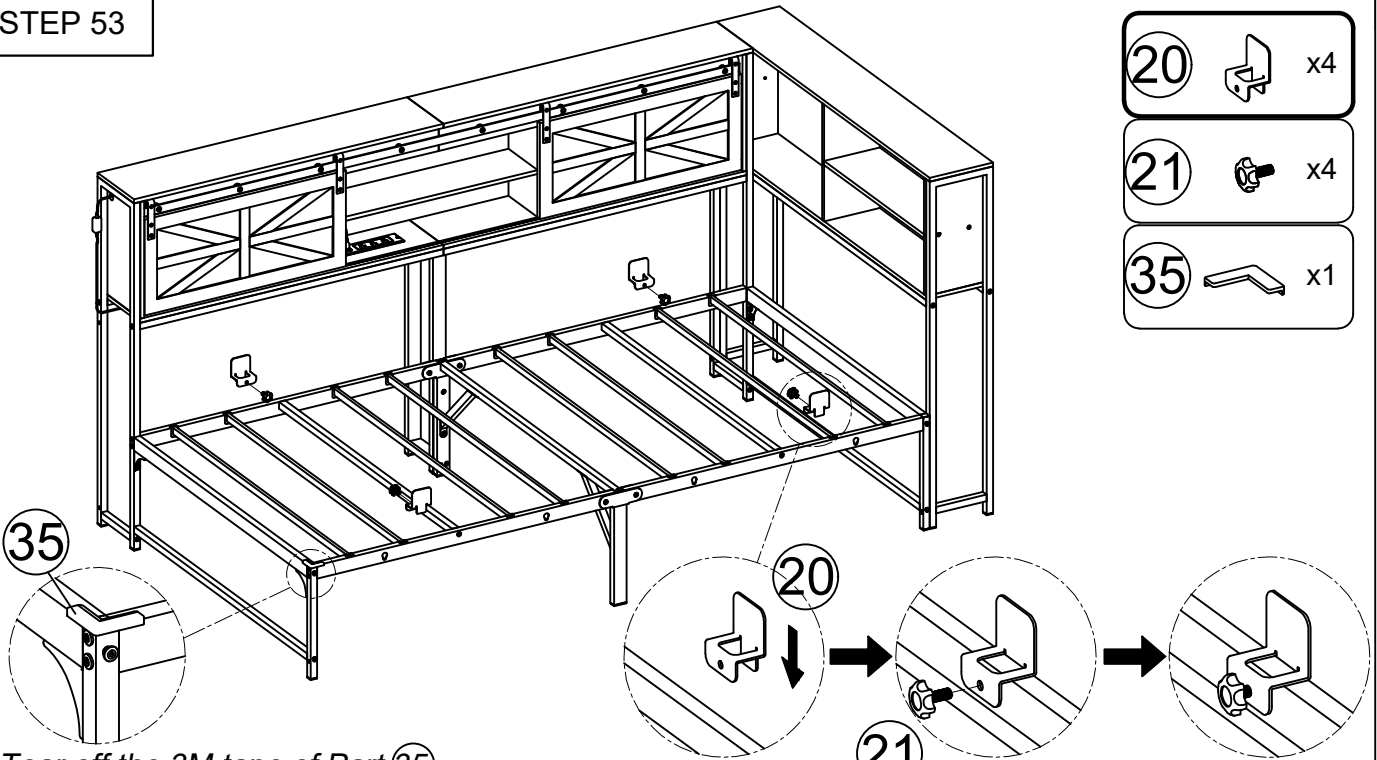
STEP 52



*Directly stuck Part II into the frame of Part DD&EE.*

STEP 53

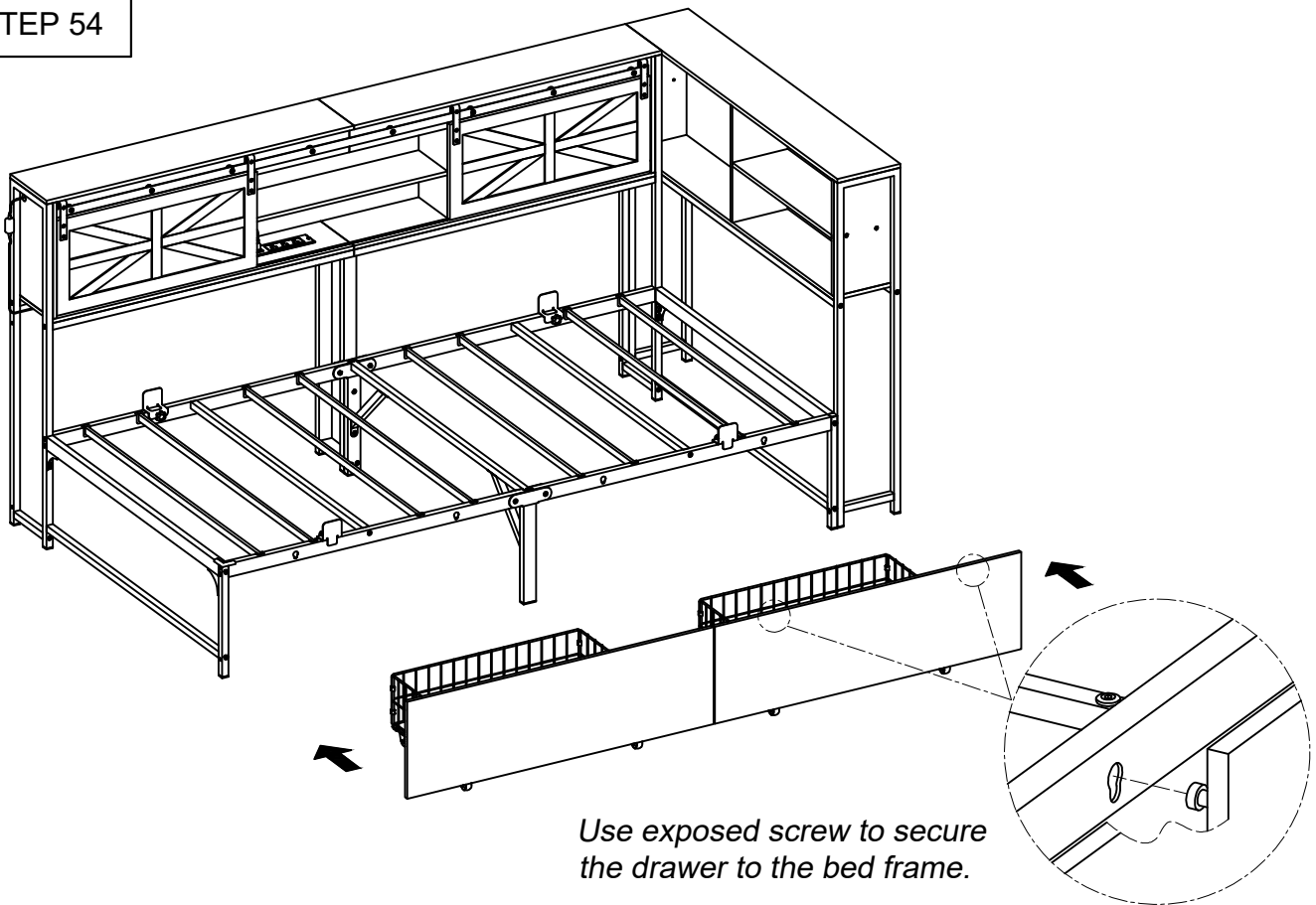
- 20  x4
- 21  x4
- 35  x1



Tear off the 3M tape of Part 35 (corner protector), stick it to the corner of bed frame in case of accidental injury.

The Mattress Anti-Slip Gaskets(#20) can be installed anywhere you like, and the screws (#21) snap into the frame without the need for holes to be drilled.

STEP 54


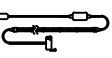




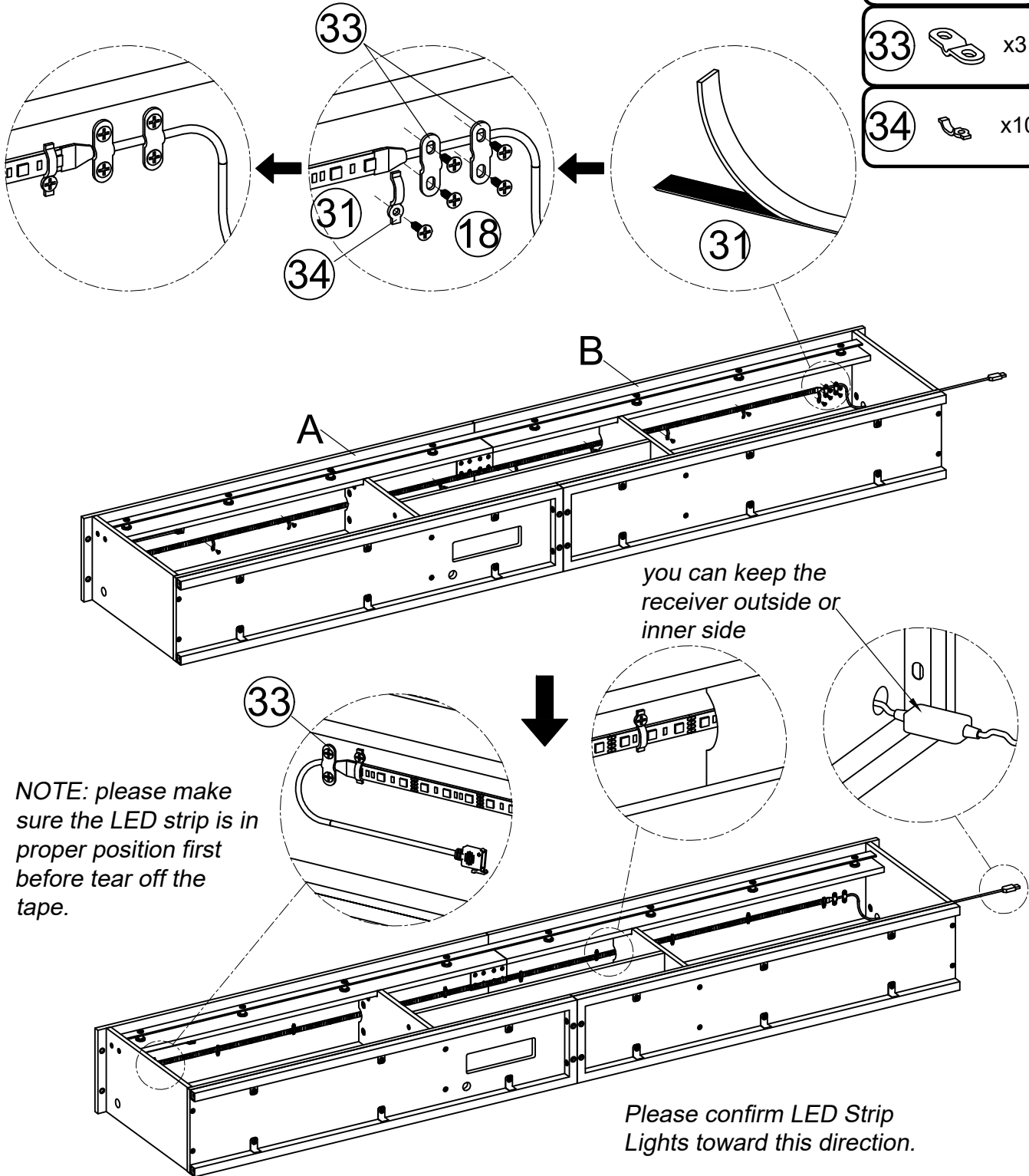
Use exposed screw to secure the drawer to the bed frame.

# Option B

## STEP 37

Tear off the tape of the LED strip, stick the LED strip roughly in the center of the bottom of top panels (A&B).  
Fix the LED strip with plastic clips.  
Note: Do not cover the lamp beads.

- 18**  x16
- 31**  x1
- 33**  x3
- 34**  x10



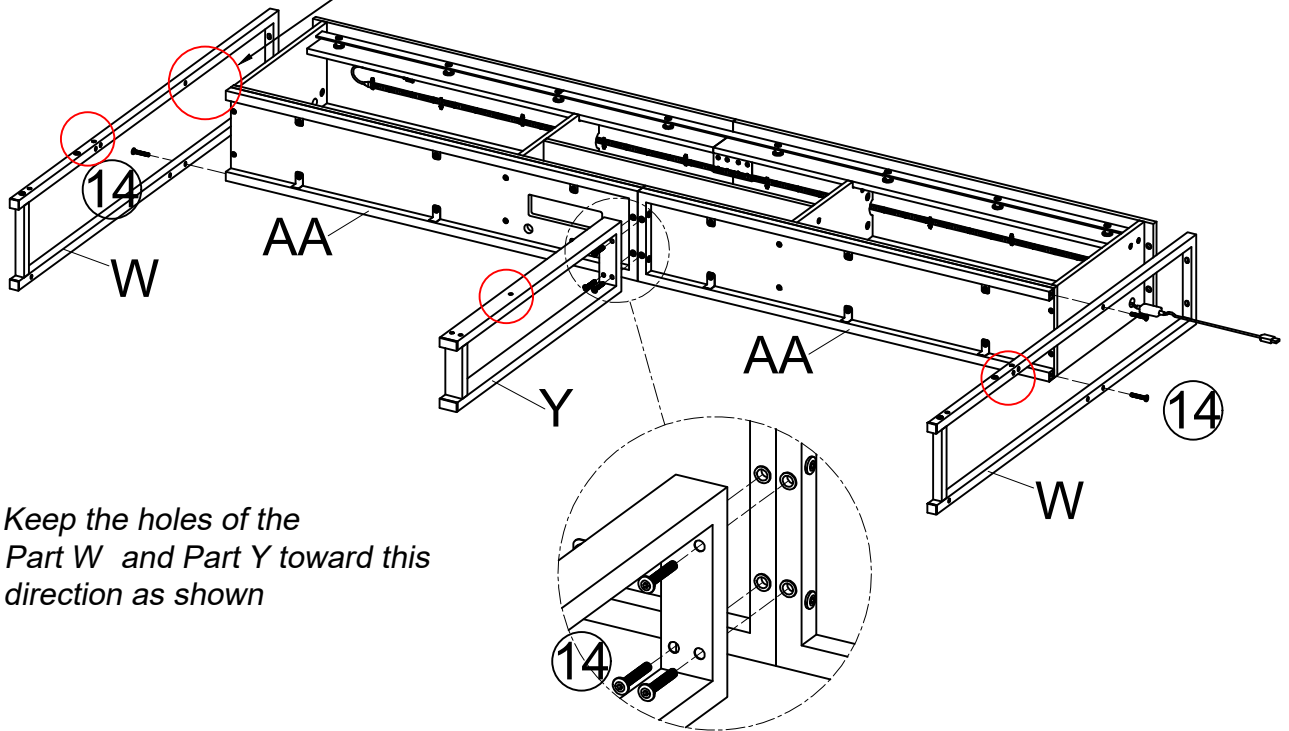
**NOTE:** please make sure the LED strip is in proper position first before tear off the tape.

Please confirm LED Strip Lights toward this direction.

STEP 38

14  x7

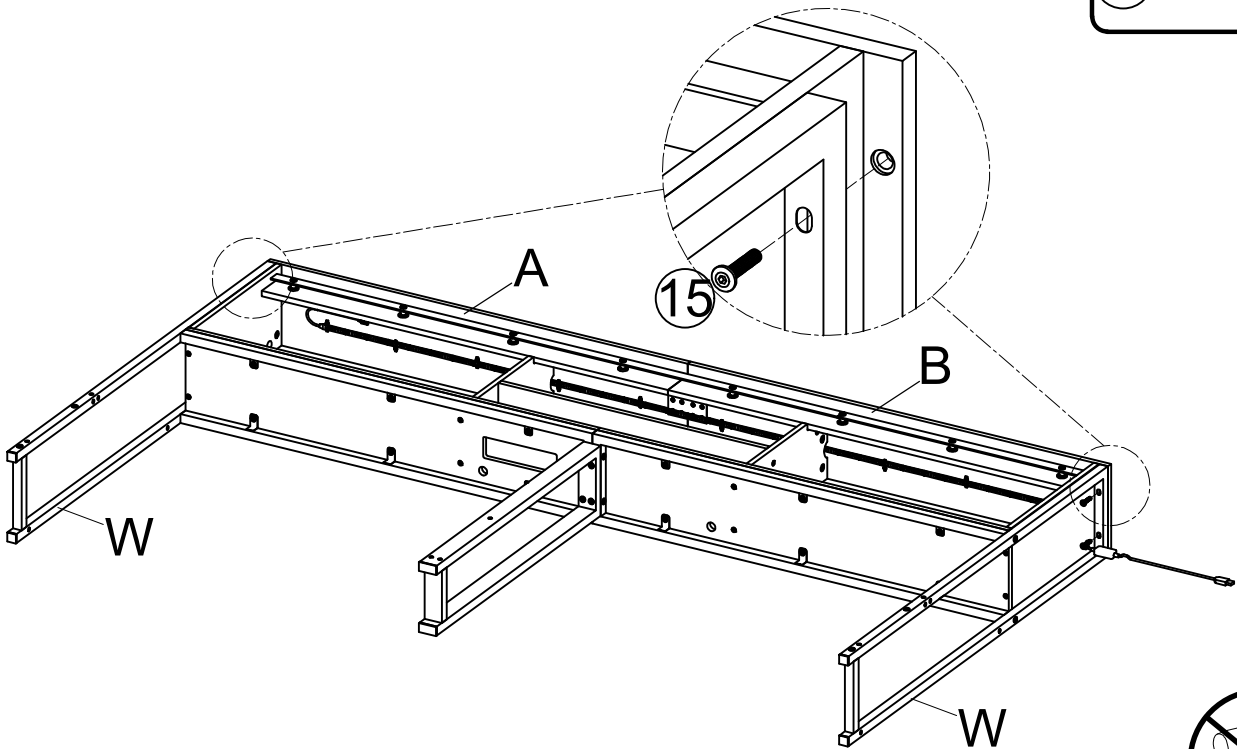
Please notice that no need to screw here in this step



Keep the holes of the Part W and Part Y toward this direction as shown





STEP 39

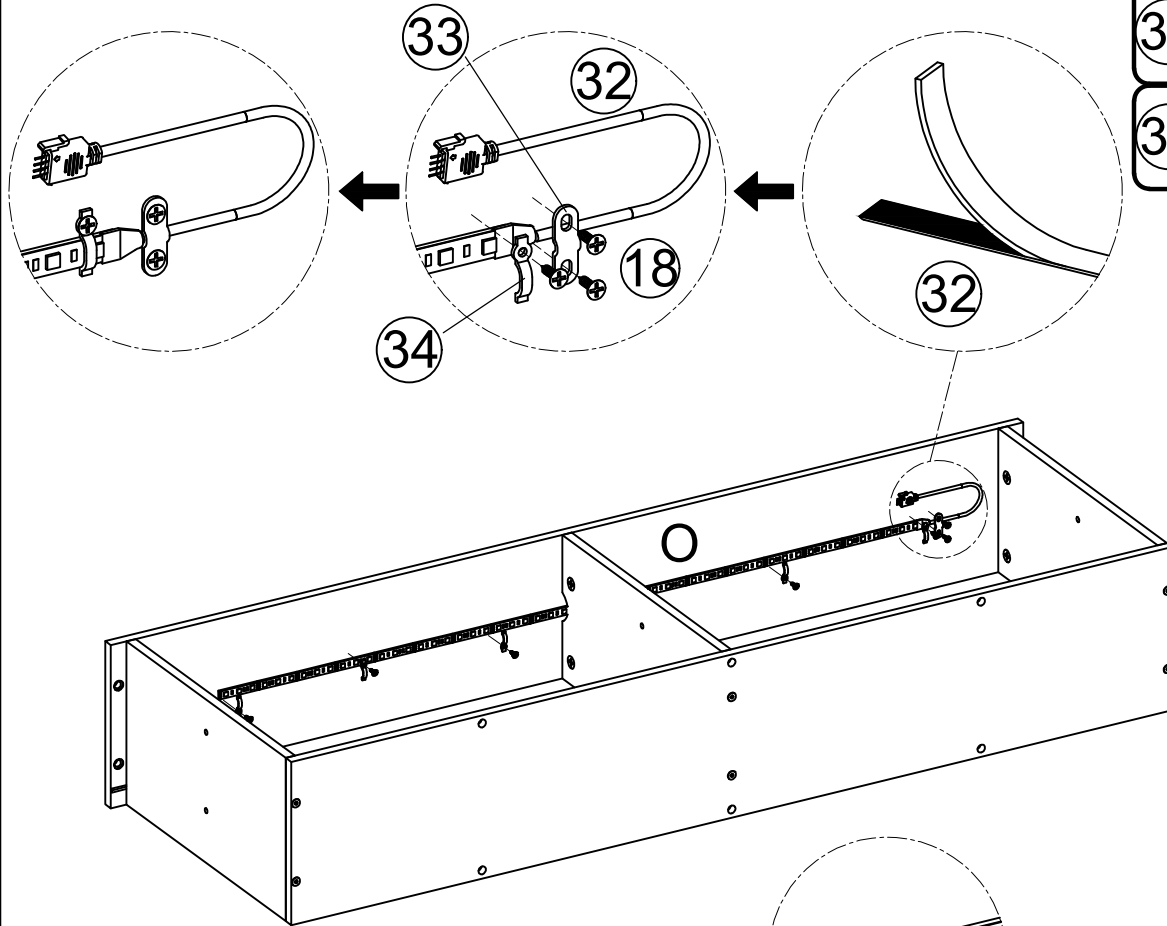
15  x4



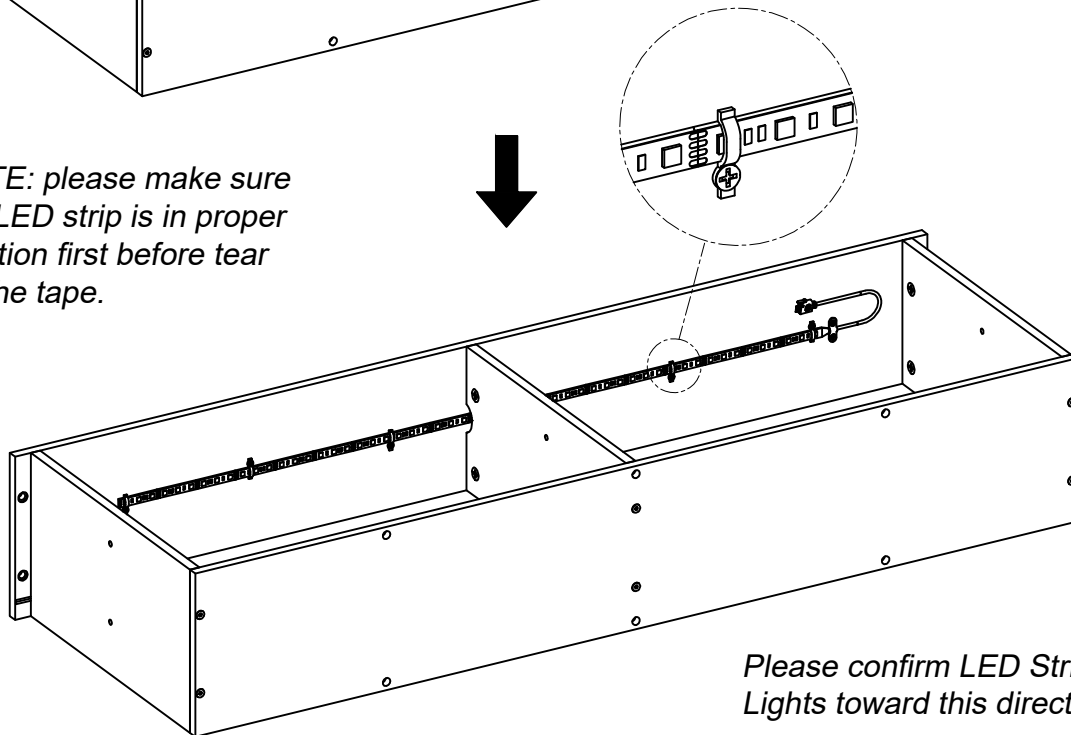
STEP 40

Tear off the tape of the LED strip, stick the LED strip roughly in the center of the bottom of top panel (O).  
Fix the LED strip with plastic clips.  
Note: Do not cover the lamp beads.

- 18  x8
- 32  x1
- 33  x1
- 34  x6

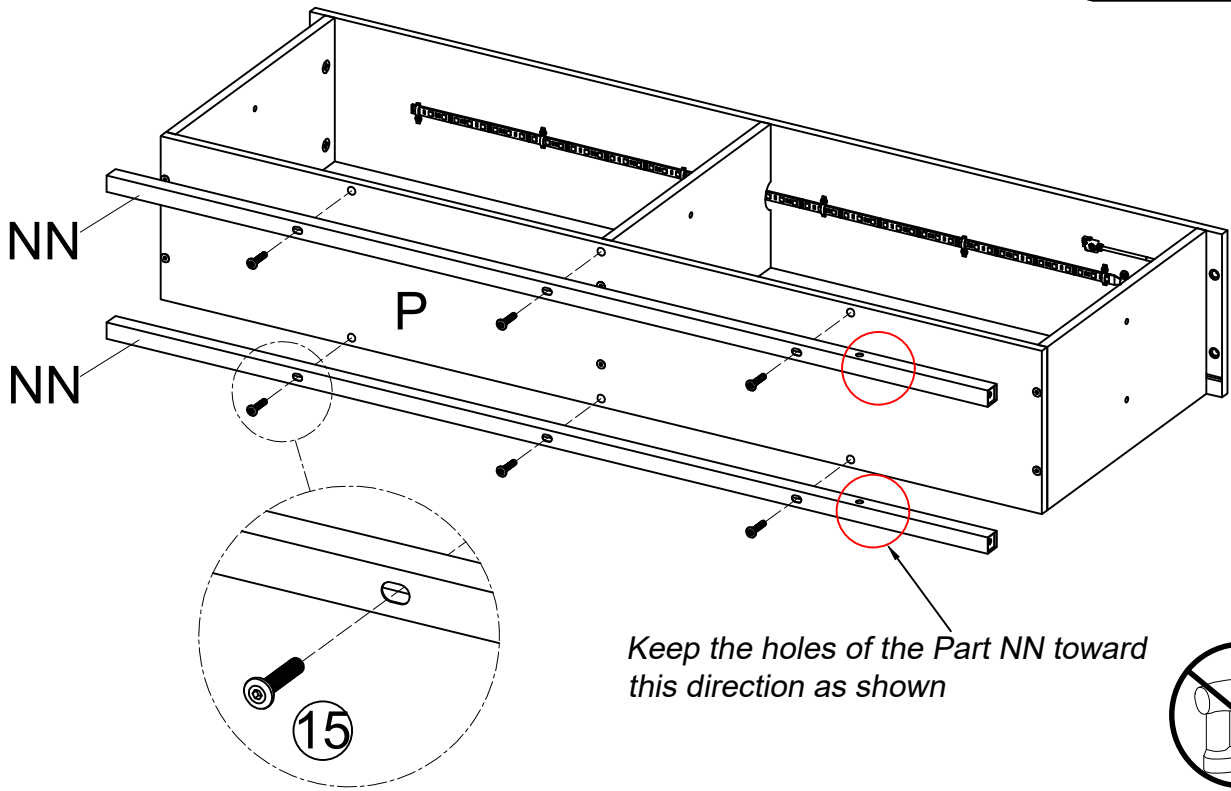
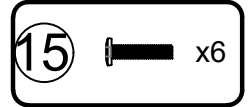


NOTE: please make sure the LED strip is in proper position first before tear off the tape.

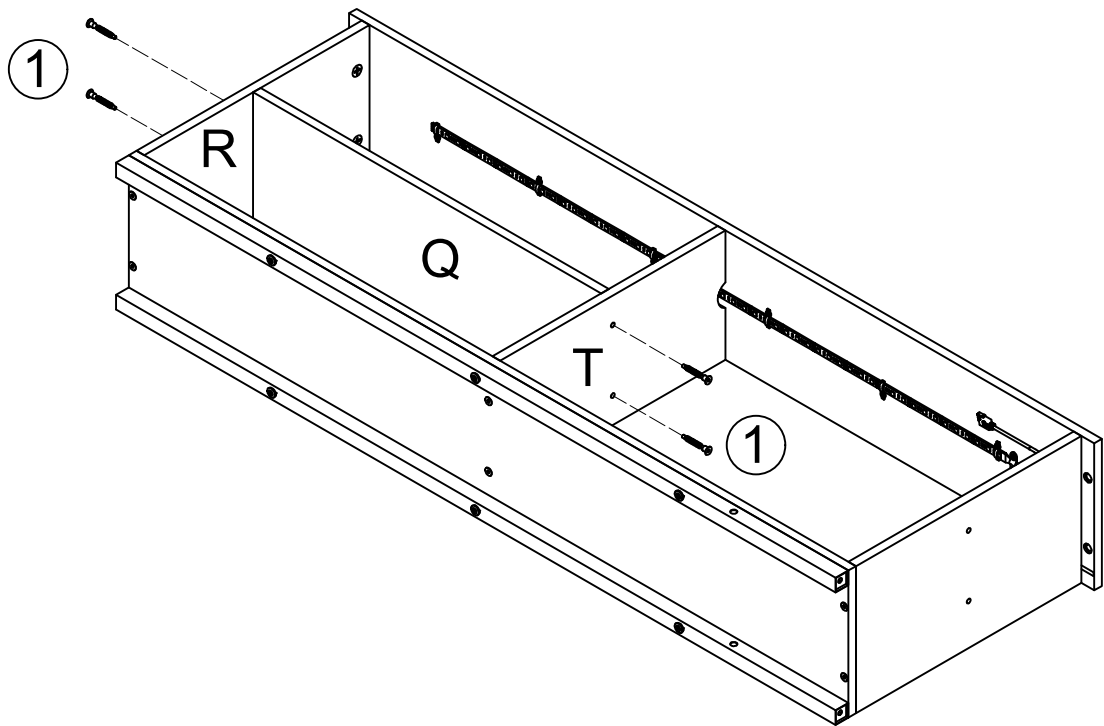
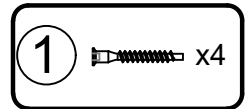


Please confirm LED Strip Lights toward this direction.

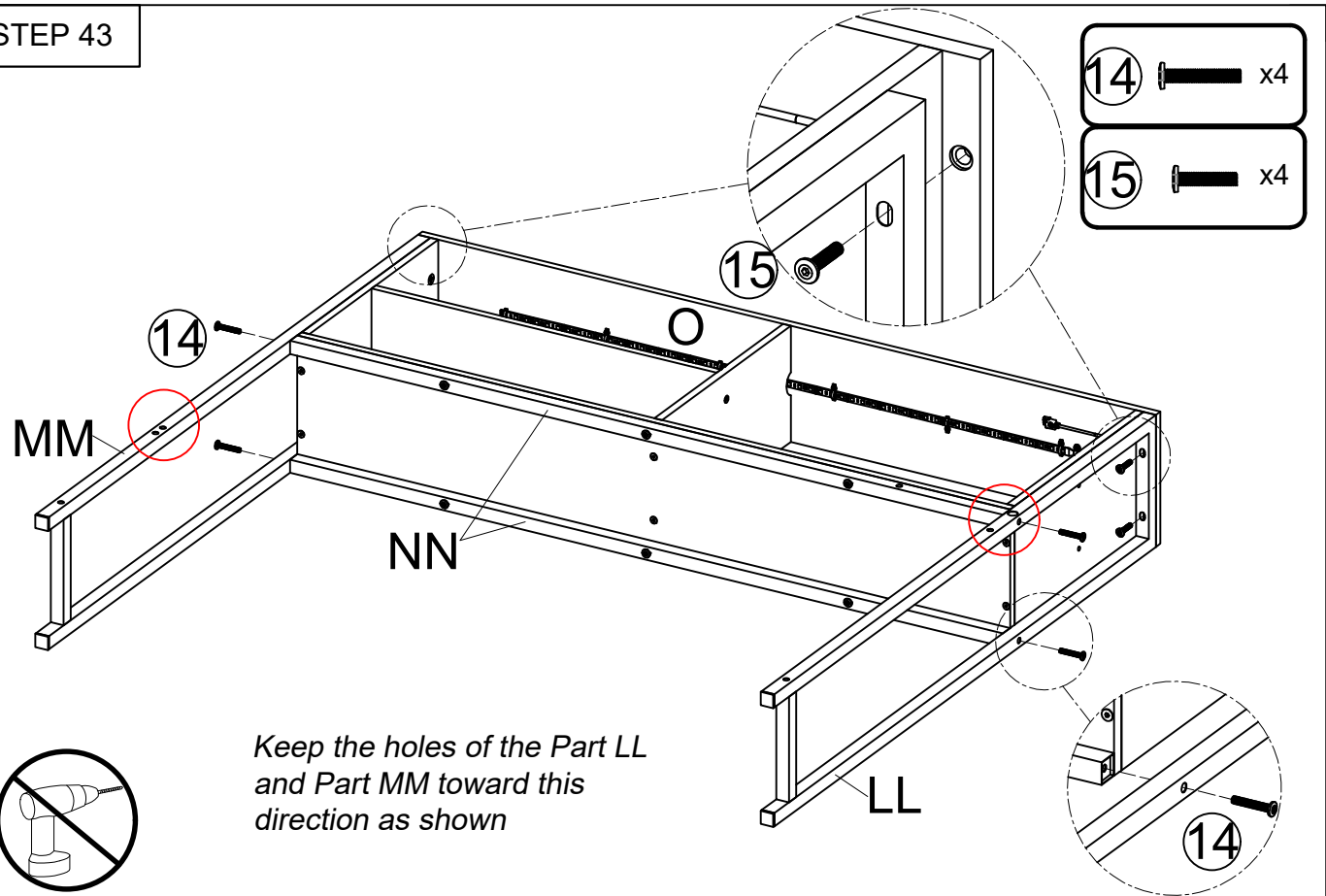
STEP 41



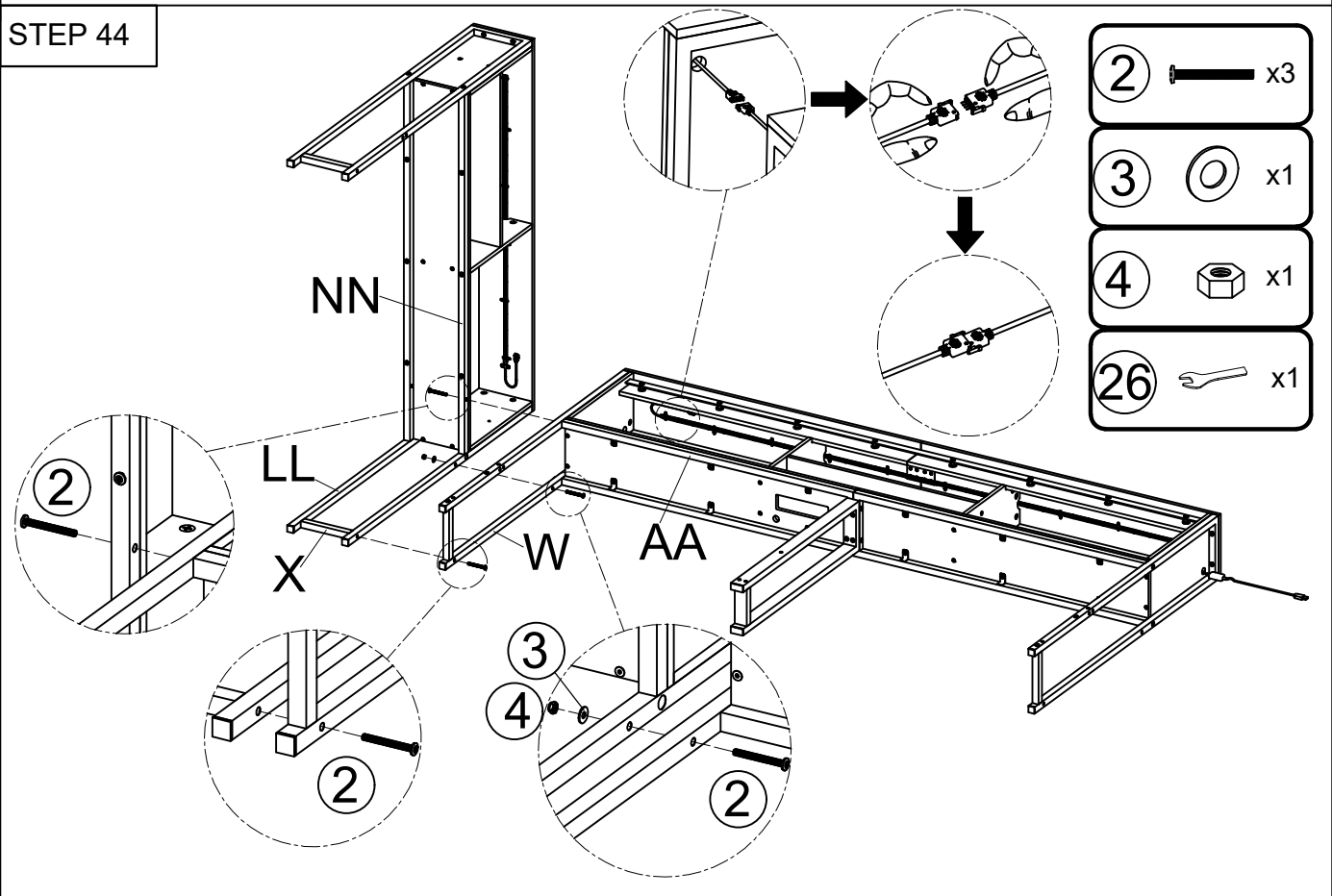
STEP 42



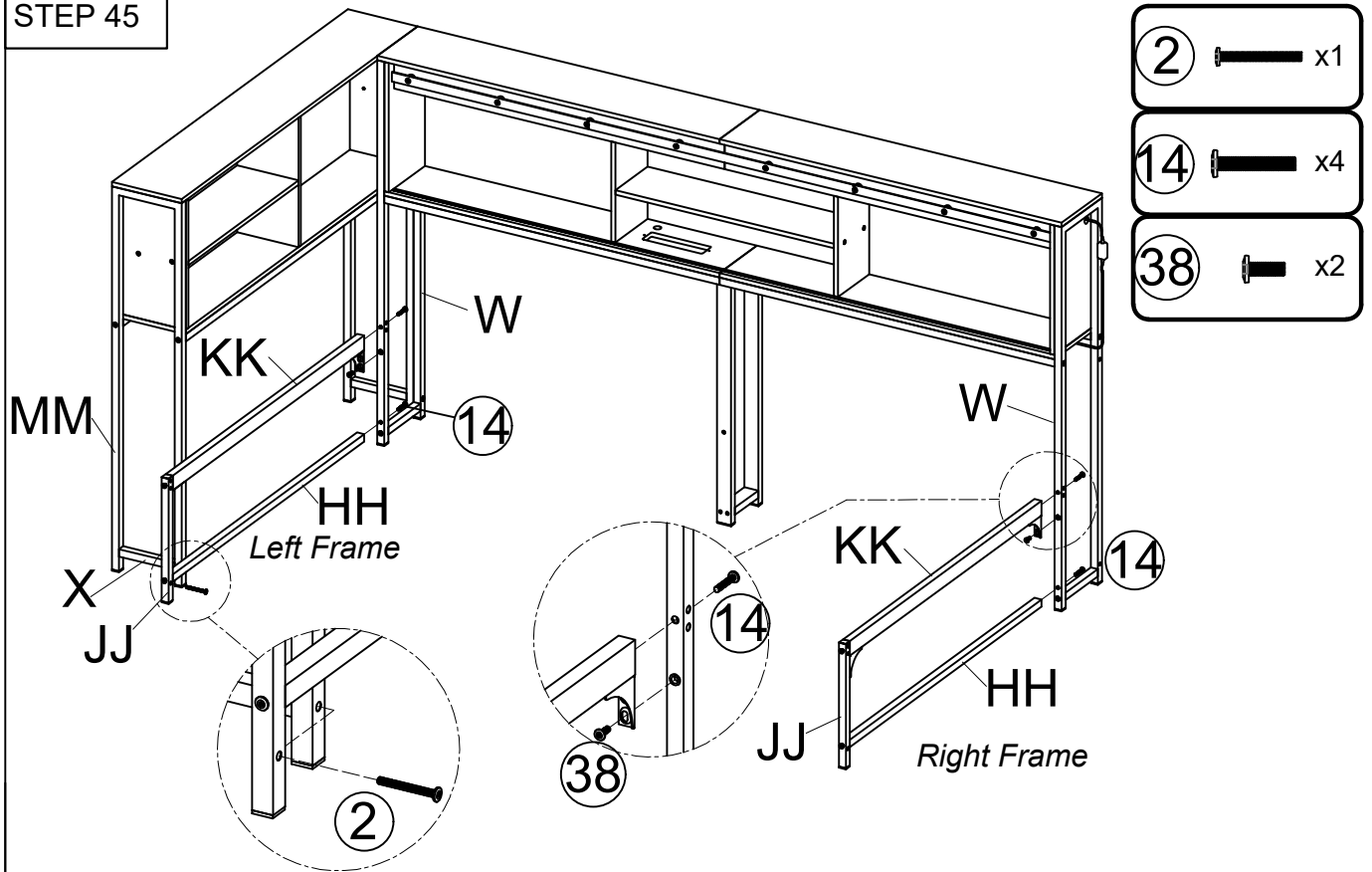
STEP 43



STEP 44

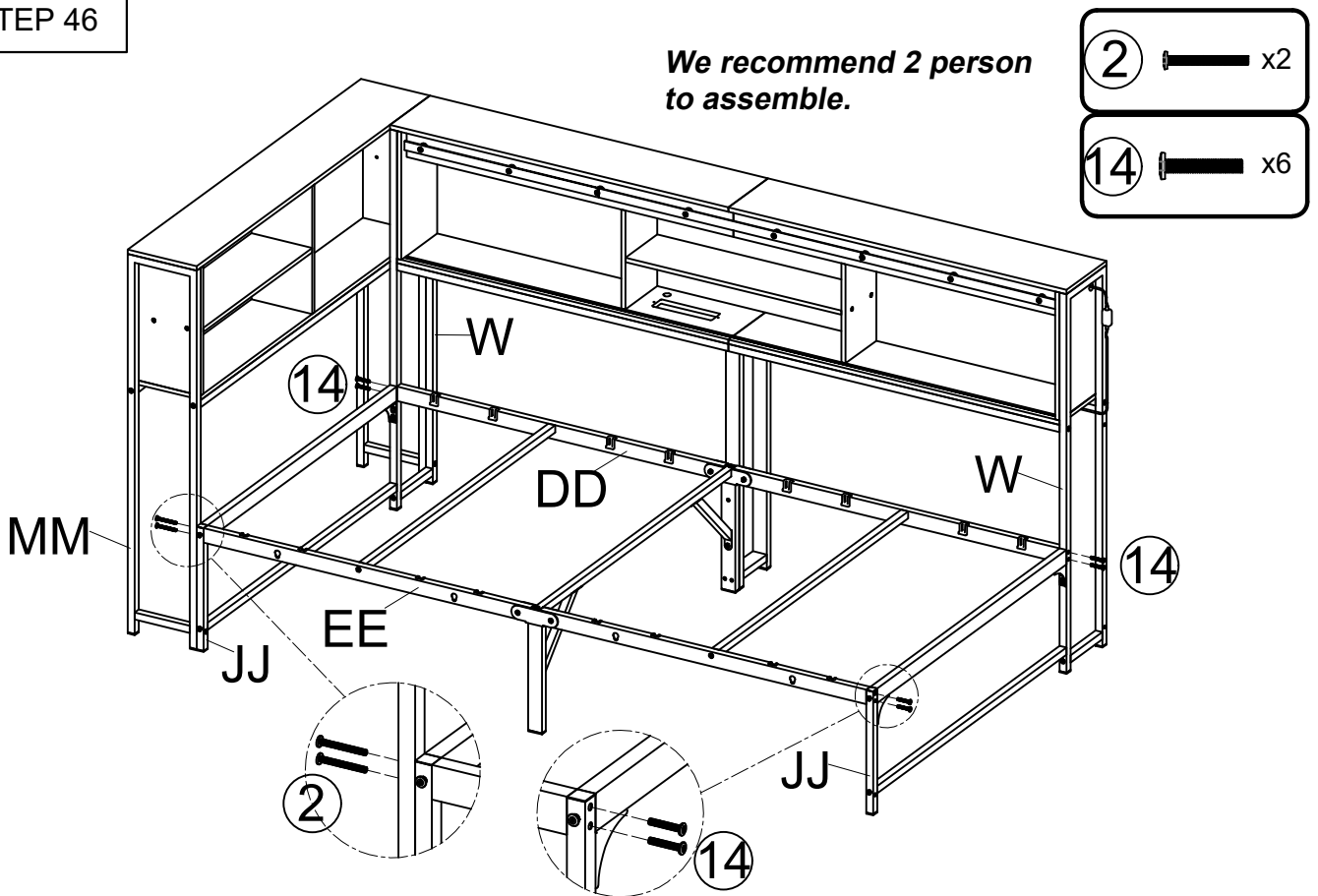


STEP 45





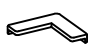
STEP 46

*We recommend 2 person to assemble.*

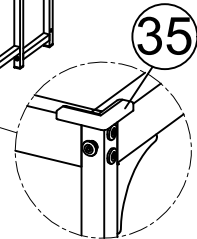
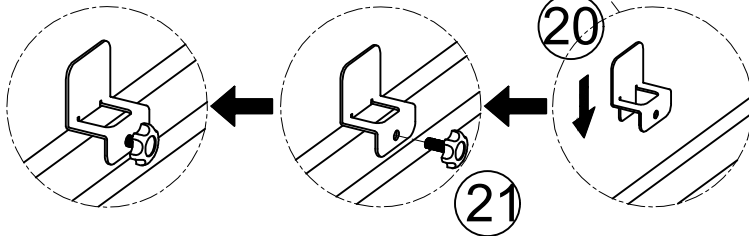
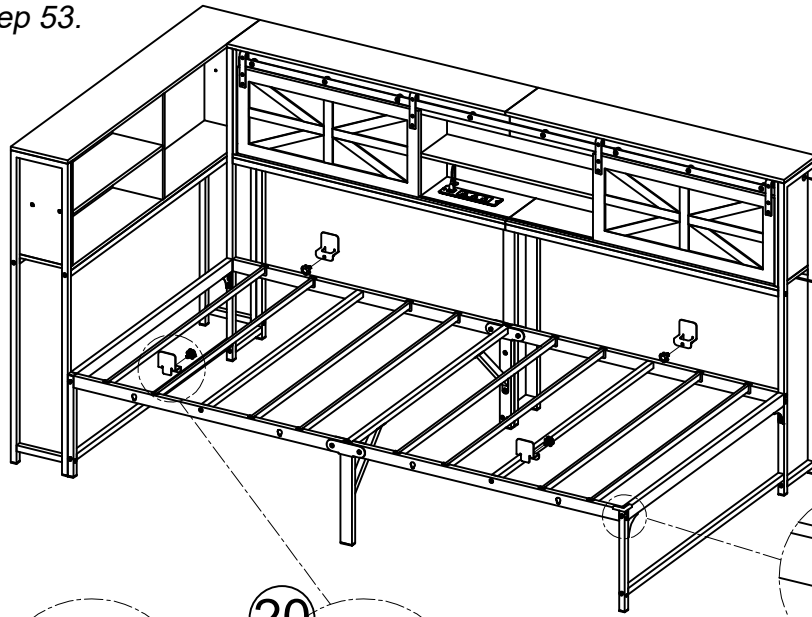


**STEP 53**

Repeat step 47 through 52 as same as Option A create a Bed Frame Assembly, then continue to assemble the Option B from step 53.

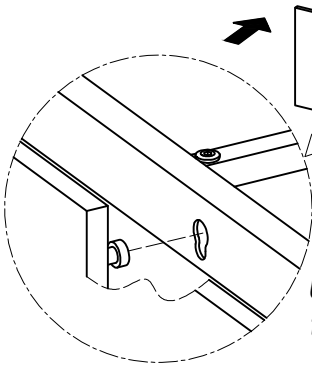
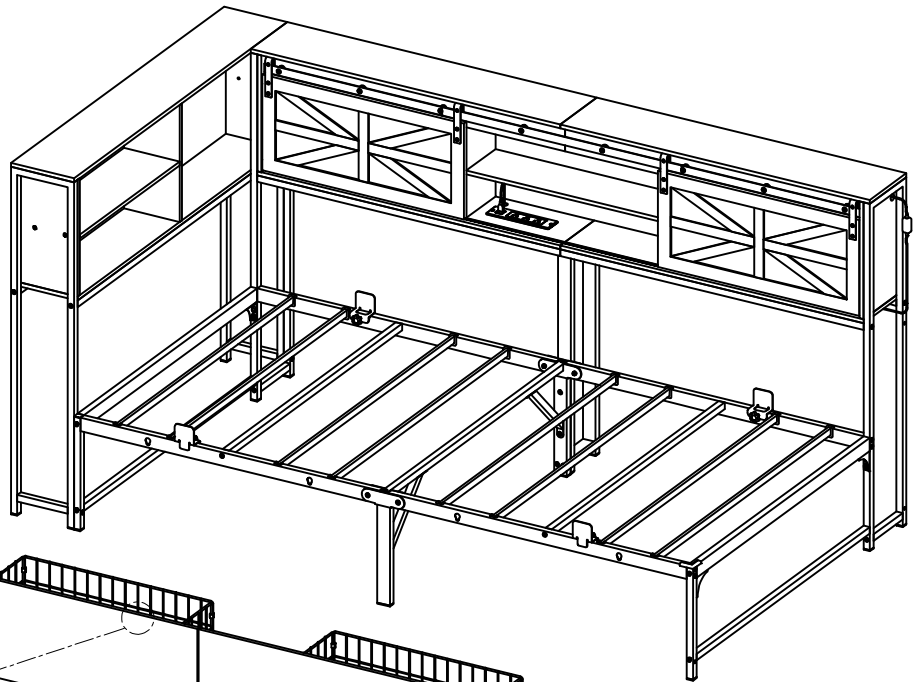
- 20  x4
- 21  x4
- 35  x1

The Mattress Anti-Slip Gaskets(#20) can be installed anywhere you like, and the screws (#21) snap into the frame without the need for holes to be drilled.



Tear off the 3M tape of Part 35 ( corner protector ), stick it to the corner of bed frame in case of accidental injury.

**STEP 54**



Use exposed screw to secure the drawer to the bed frame.