



# Installation Instructions For Pre-Attached Long Plates

## Passage and Privacy

*With step-by-step Installation Pictograms & Drilling Template*

Applies to:

Craftsman • Mission • Prairie • Deco • New York • Egg & Dart  
Meadows • Victorian



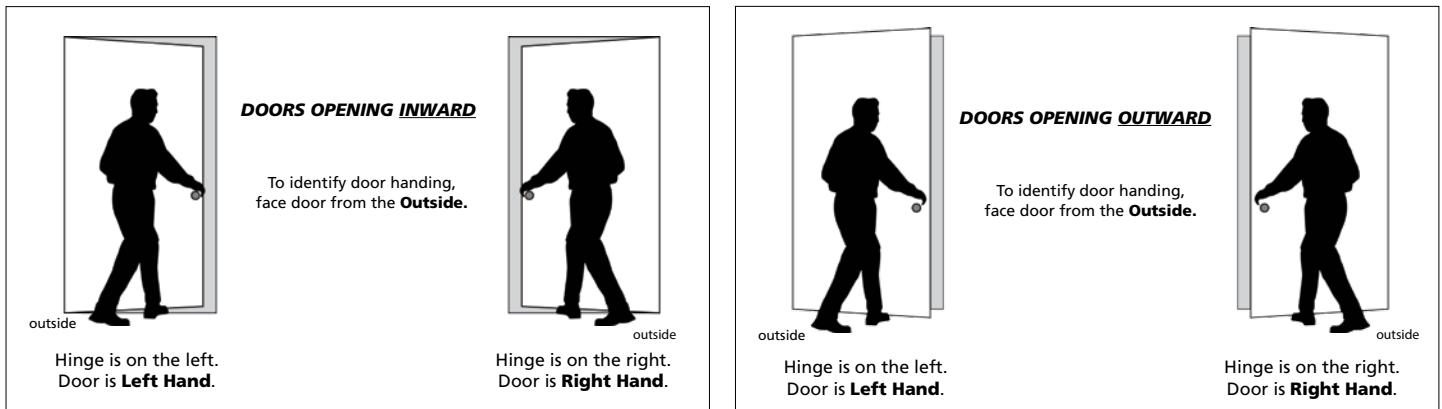
**Tools Required: #2 Phillips Screwdriver, electric drill, 7/64" drill bit**

### Door Handing - Long Plates

Door handing is critical for Split-Finish, or Split-Design products in the privacy function. And, it's helpful positioning the latch tongue in relation to the strike plate.

**Inside of Door** - The **Inside** of a door refers to the side of the door that faces the room. For example, for a bedroom door on a hallway, the **Inside** of the door would face the bedroom.

**Outside of Door** - The **Outside** of a door refers to the side of the door that faces away from the room. The **Outside** of a door is generally more visible to visitors, and therefore a rosette on this side of the door has no visible screws. For example, on a bedroom door, the **Outside** would face the hallway.



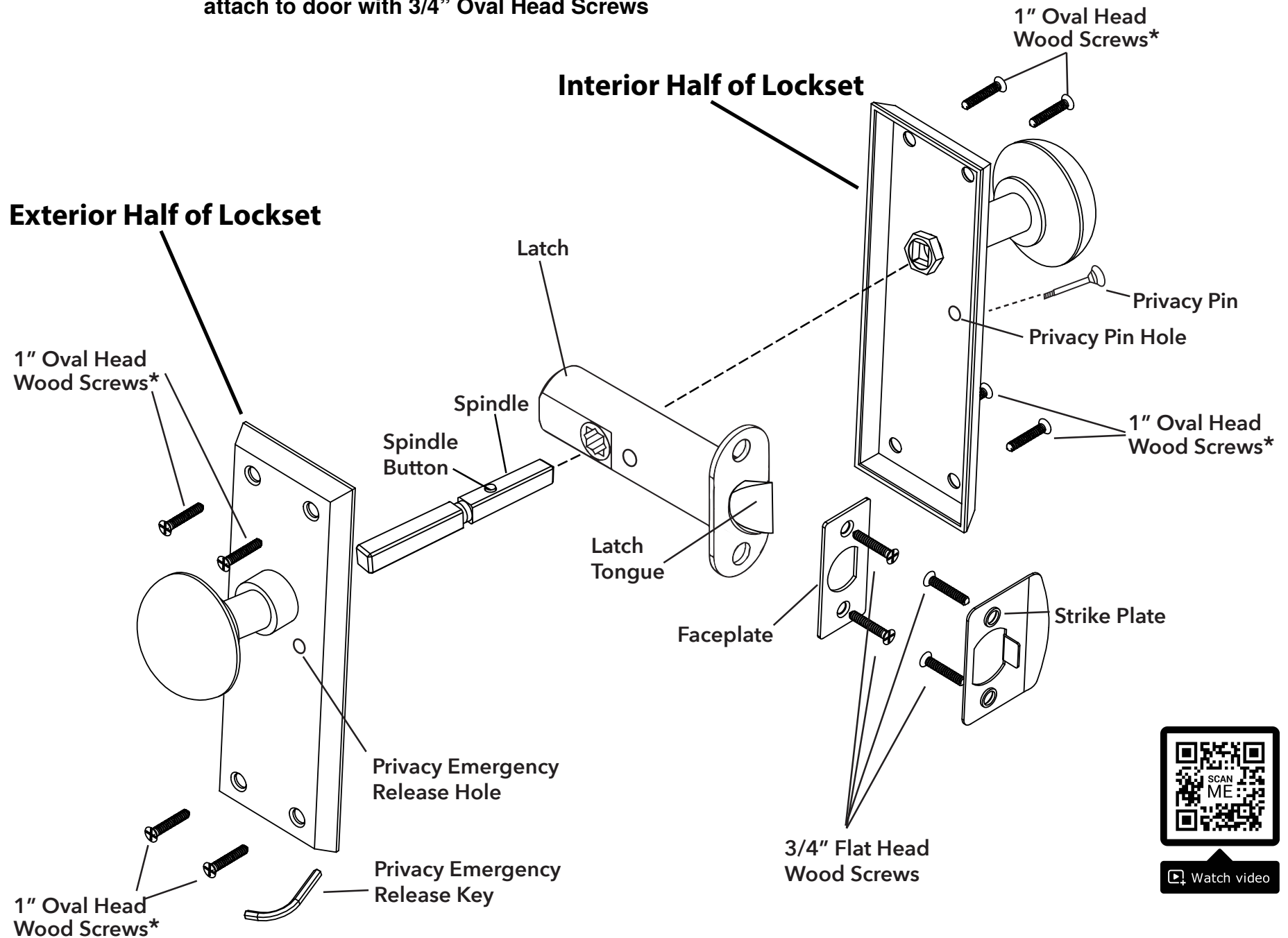
### INSTALLATION RULES:

- 1) Long Plate wood mounting screws should **NOT** be installed using power tools.
- 2) Privacy pin holes are next to the door side containing the latch.
- 3) Latch tongues have a beveled side, and this side should contact the curved end of the face plate, and curved end of the strike plate.  
(See **\*Latch Tongue Note** on page 3.)



# Exploded Drawing for Pre-Attached Long Plate Passage/Privacy

\* Note: Craftsman and Mission Plates attach to door with 3/4" Oval Head Screws



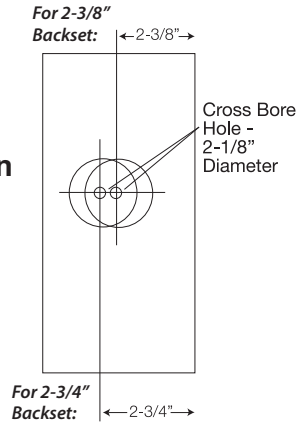
# Installation Instructions For Pre-Attached Long Plates

Fits doors  
1-3/8" to 1-3/4" thick

Passage/Privacy

**A**

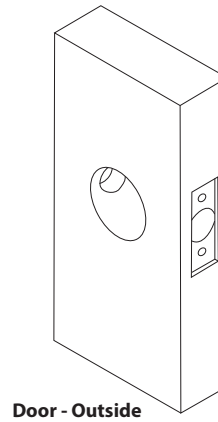
## Backset Information



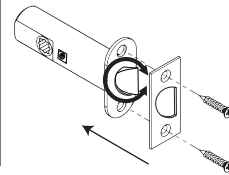
**NOTE:**  
DRILLING  
TEMPLATES  
FOR  
PILOT HOLES  
ON SEPARATE  
INCLUDED  
SHEET

**B**

## Install Latch



- 1 Install latch and rotate the latch tongue \* to change handing. (See page 1 for handing)
- 2 Install faceplate with 3/4" wood screws.

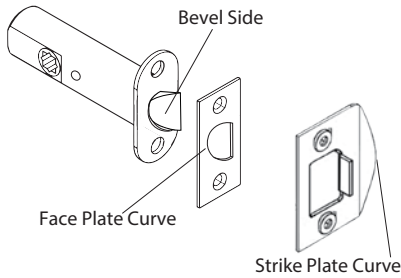


\* See Latch Tongue Note in next panel

\*

## Latch Tongue Note

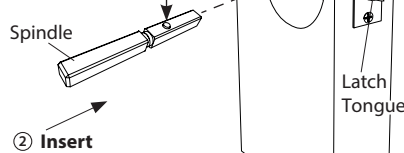
Bevel side of latch tongue should contact curved end of face plate, and curved end of strike plate.



**C**

## Insert Spindle

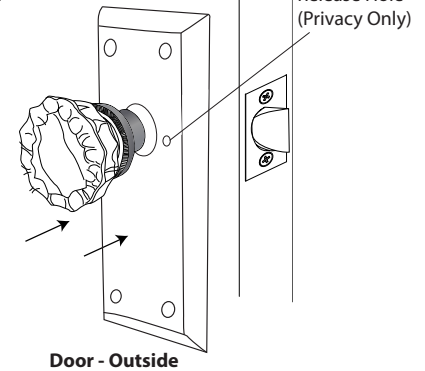
- 1 Push spindle button down and hold during insertion



Door - Outside

**D**

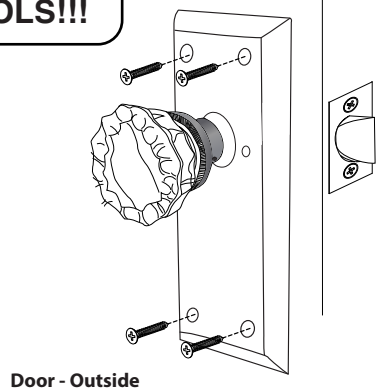
## Install Exterior Half of Lockset



**E**

## Insert Wood Screws

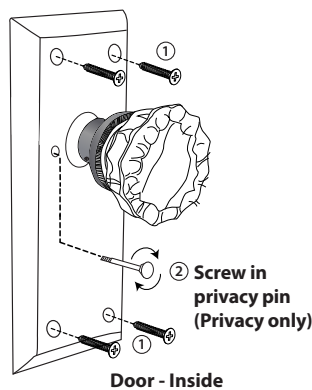
**NO POWER TOOLS!!!**



**F**

## Install Interior Half of Lockset

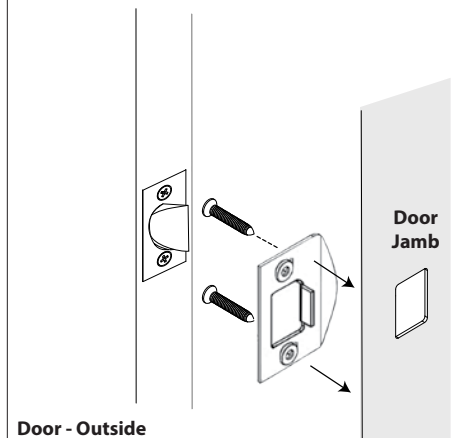
- 1 Insert wood screws



**G**

## Attach Strike Plate

Attach the strike plate to the door jamb using 3/4" long wood screws.



Watch video

# DUMMY INSTALLATION AND DOOR PREPARATION TEMPLATE

