




Assembly Instructions

- Tools Included
- Do not throw away packaging materials until assembly is complete
- Assemble this item on a soft, clean surface to protect the product
- Make sure all parts are included prior to assembly

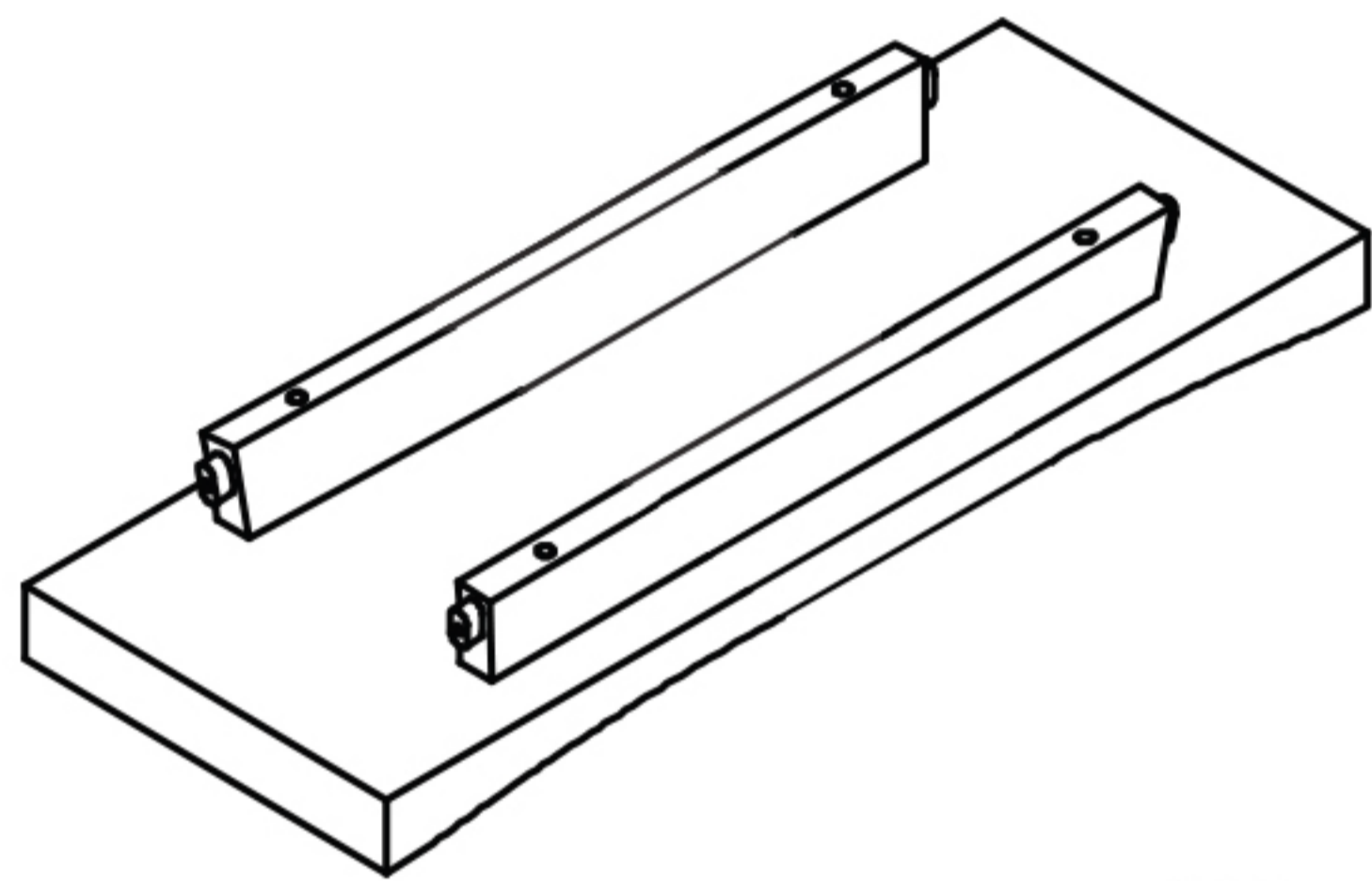
PART LIST

ITEM	DESCRIPTION	QTY
A	Seat	1 PC
B	Stretcher Bar	2PCS
C	Walker Legs	2PCS

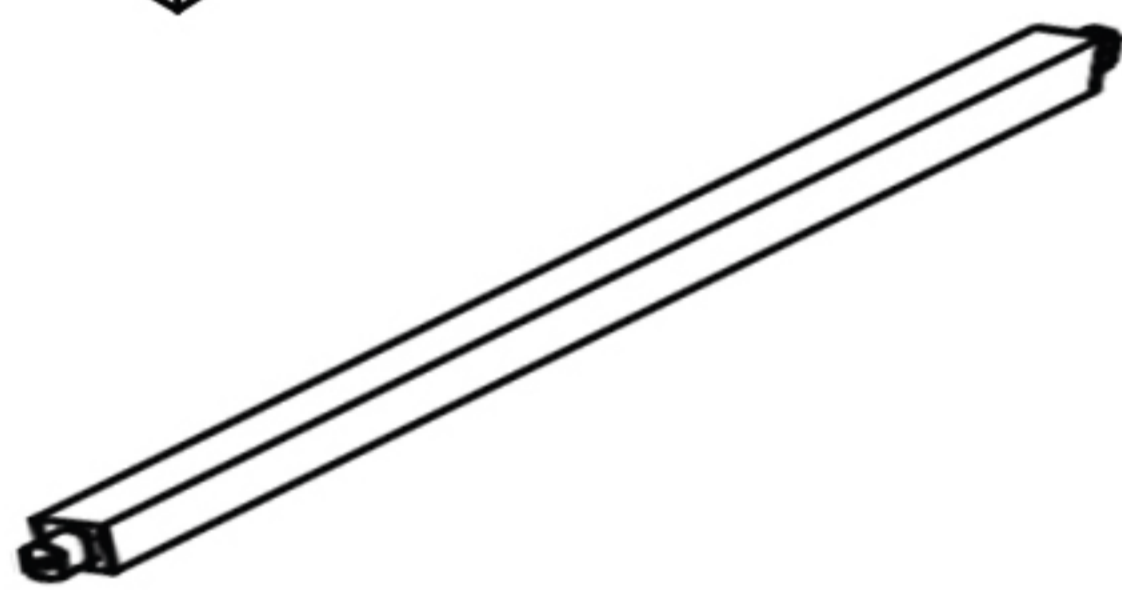
HARDWARE LIST

ITEM	DESCRIPTION	QTY
1	JCBC Bolt M6 x 50mm 	8 PCS
2	Allen key M4 x 5.5 	1 PC
3	Wood nut 	8 PCS

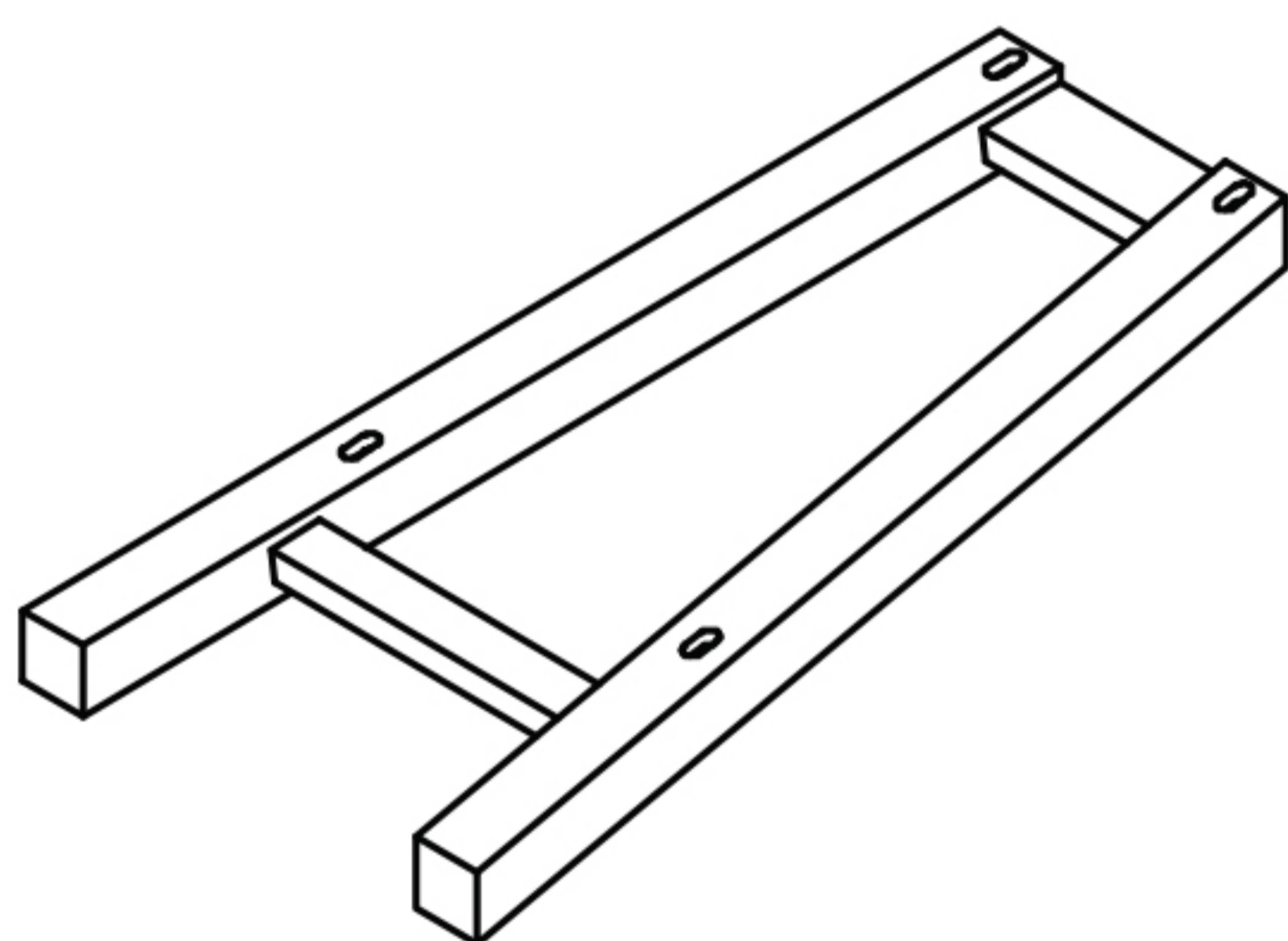
A



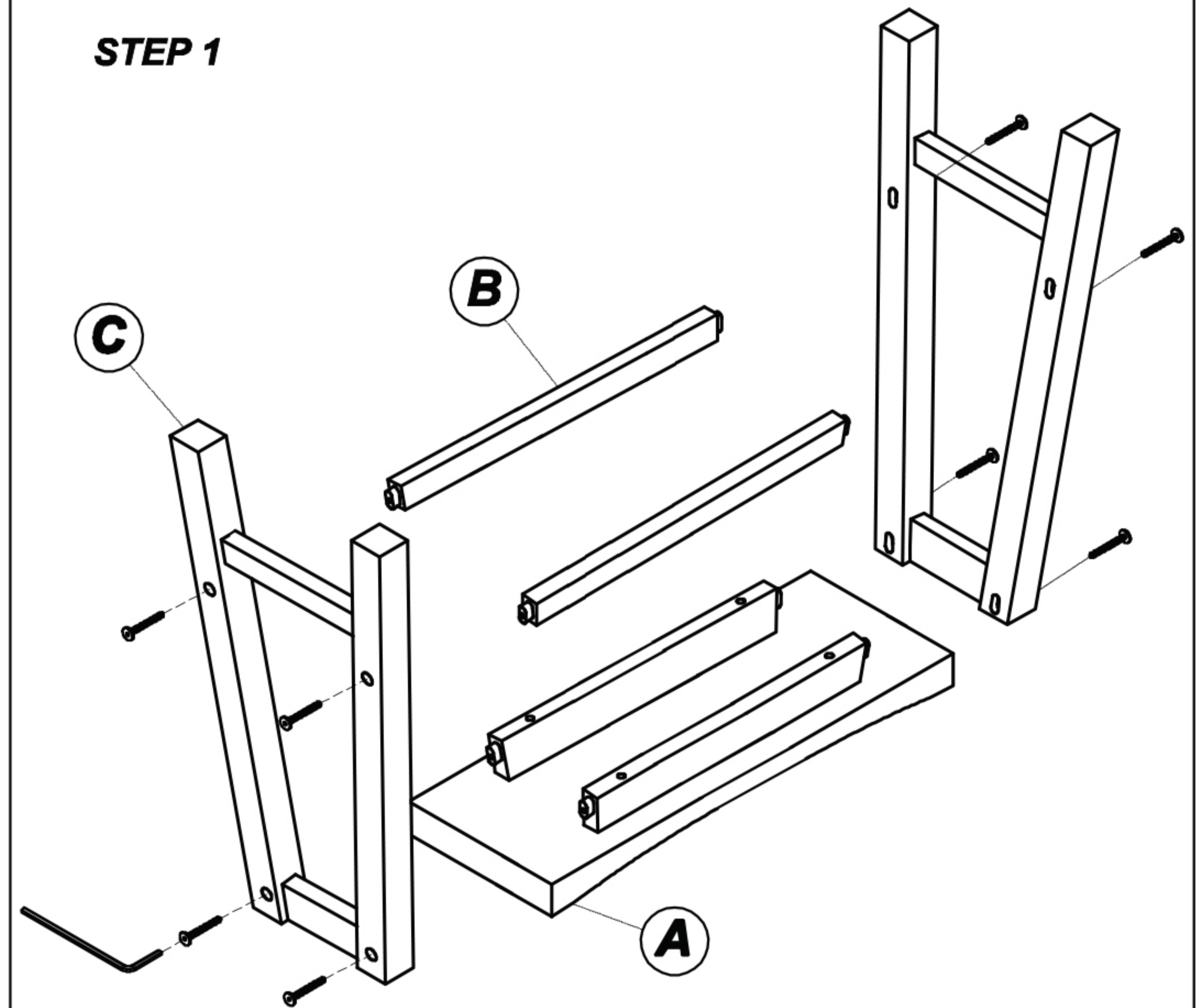
B



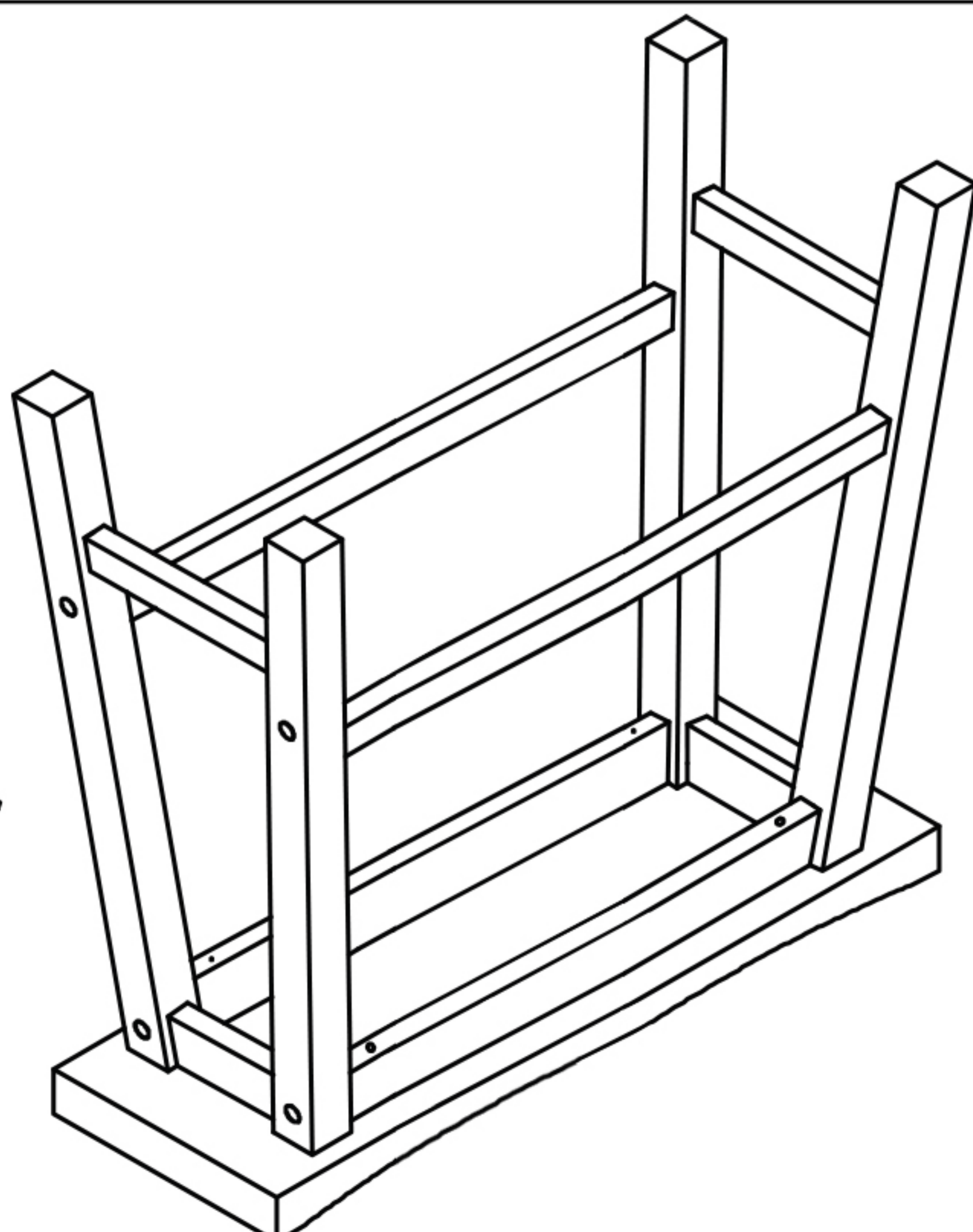
C



STEP 1



STEP 2



Insert wood nuts into the holes for the hardware

ASSEMBLY COMPLETE

