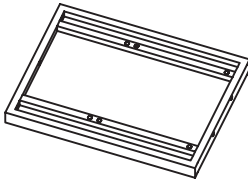
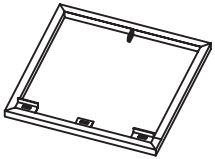



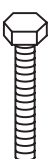


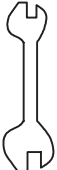

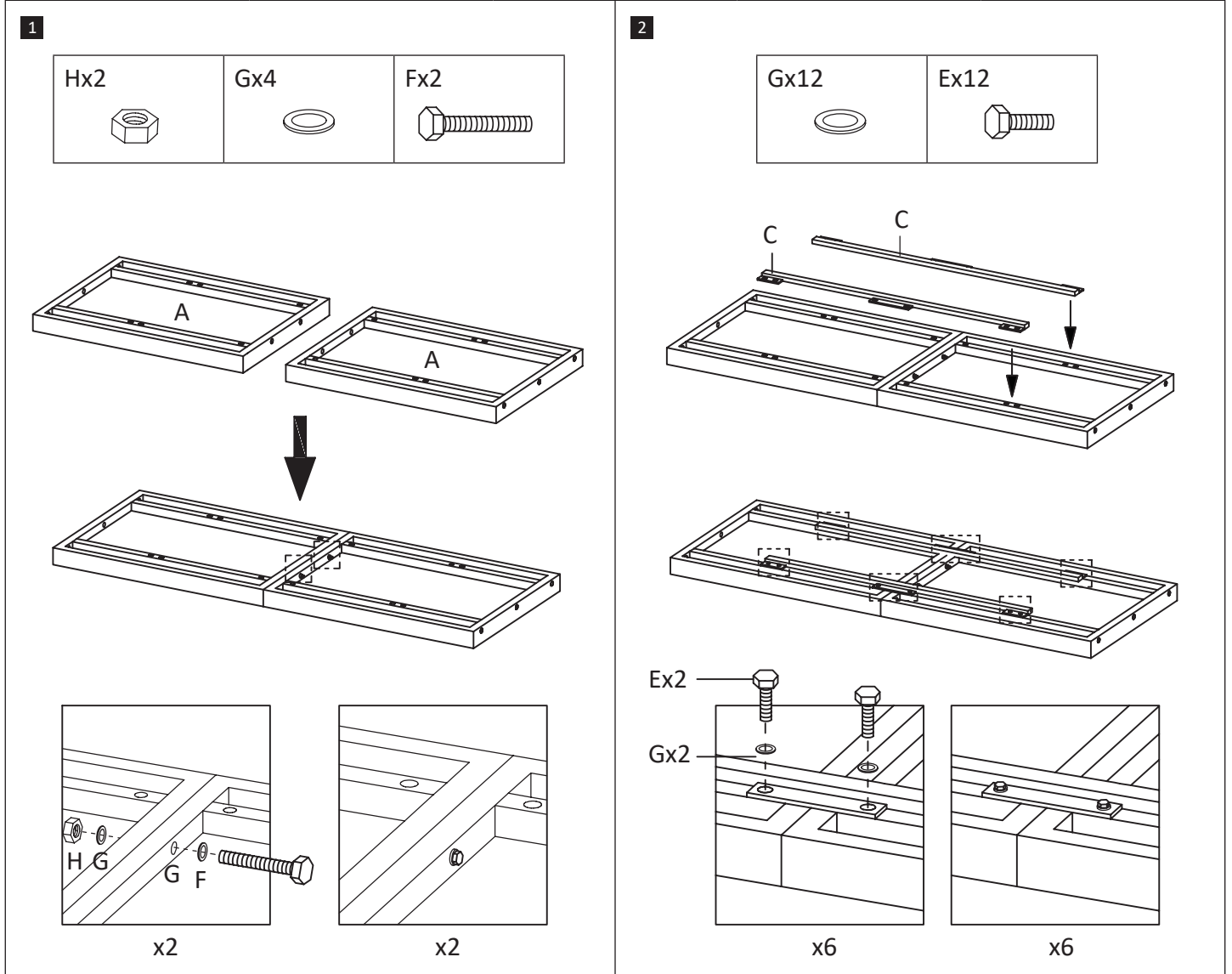
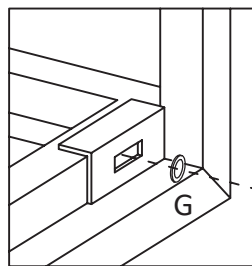
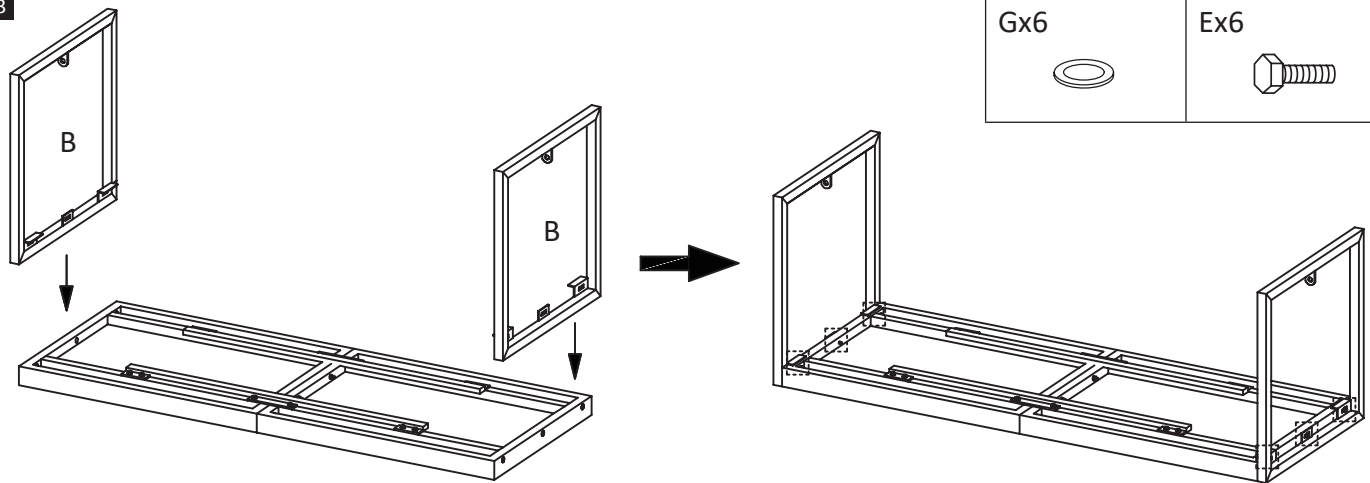


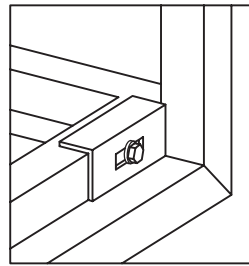
<p>Ax2</p> 	<p>Bx2</p> 	<p>Cx2</p> 	<p>Dx2</p> 	<p>Ex22</p>  <p>M8x $\frac{20}{0.8}$</p>
<p>Fx2</p>  <p>M8x $\frac{60}{2.4}$</p>	<p>Gx26</p> 	<p>Hx6</p> 	<p>Ix1</p> 	 <p>mm inch</p> <p>x1</p>



3



x6



x6

4

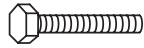
Hx4



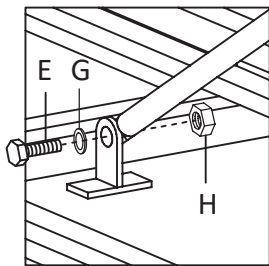
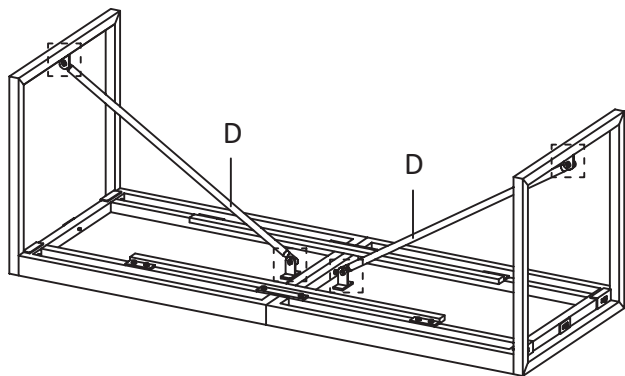
Gx4



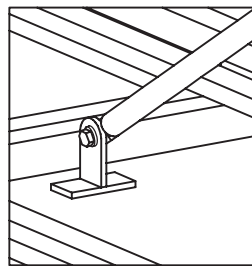
Ex4



5



x4



x4

