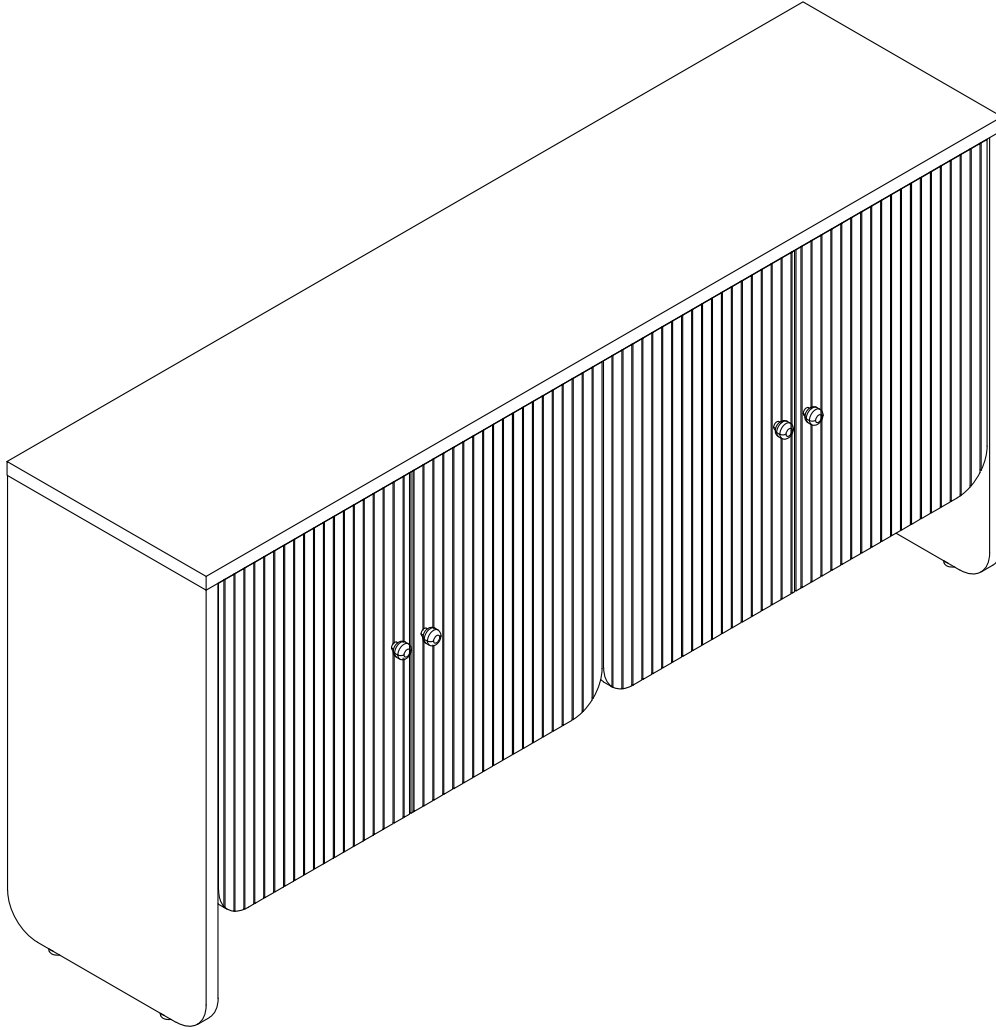


Owner Manual

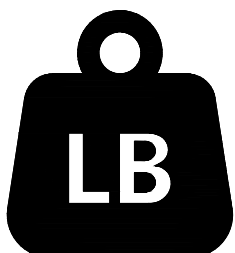


NOTE:

This brochure contains IMPORTANT safety info. Please read and keep for future reference.

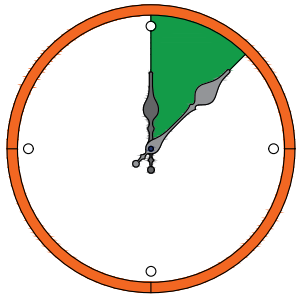
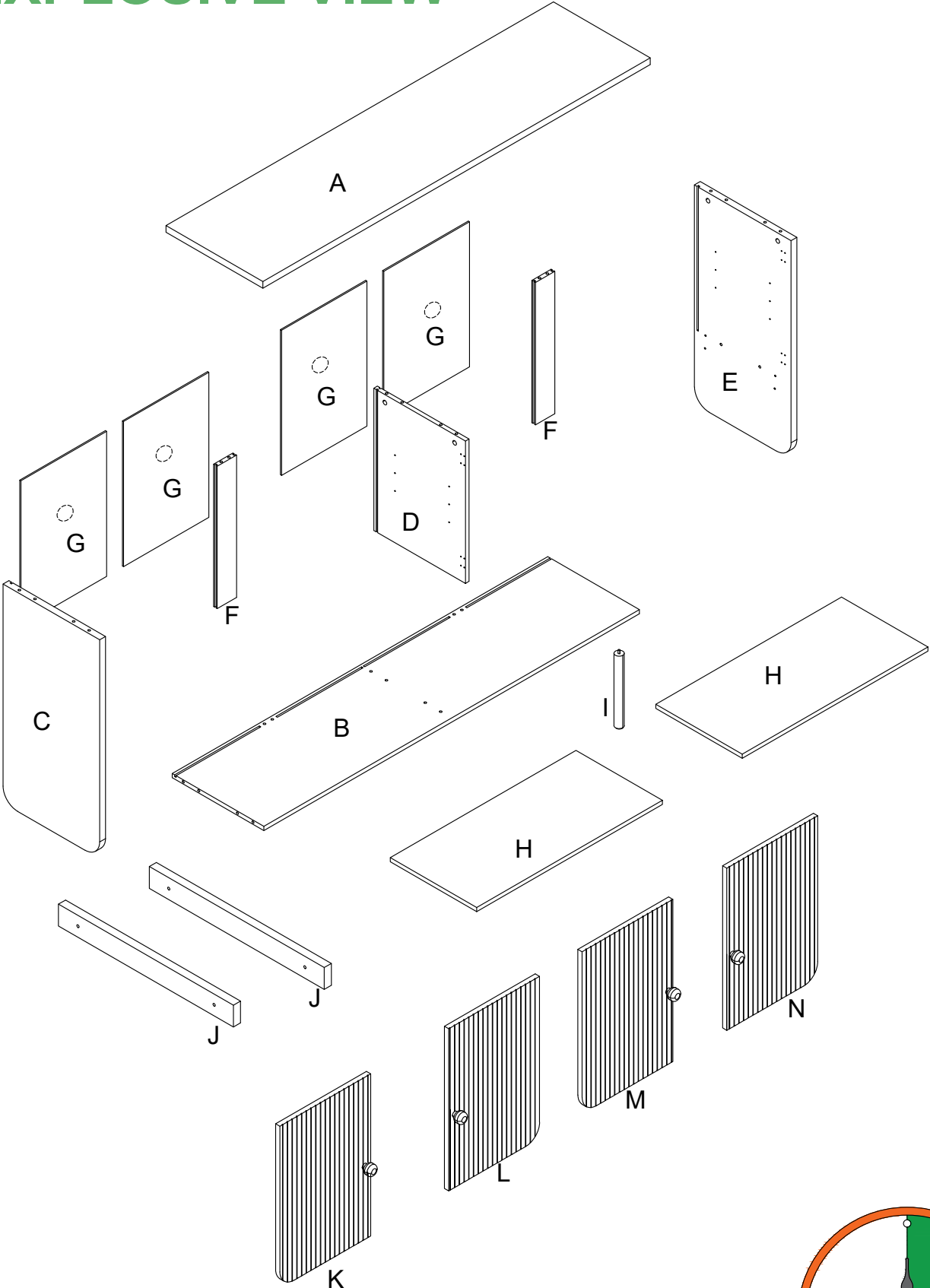
MAINTENANCE AND WARNING

- 1.Keep furniture away from heat sources.
- 2.Do not clean furniture with harsh cleaner or polishes.Do not use detergents,solvents,abrasives,spray packs or leather cleaner. Use non-color mild soap with warm water to clean spills(Mix 1:10 soap to water).
- 3.Do not place furniture under direct sunlight,material will possibly fade over time.
- 4.Do not use on site dry cleaning machine.Children should not climb or jump on the furniture.
- 5.Do not write on furniture that is not protectedby a padded barrier.
- 6.Not for commercial use,only for residential use.



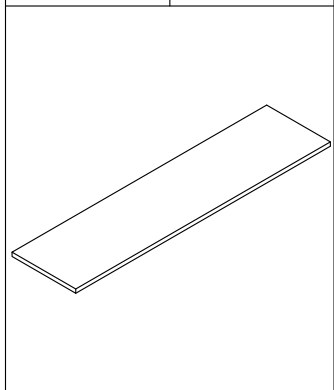
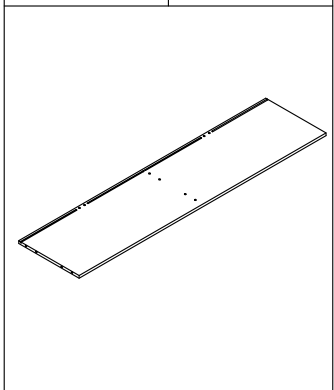
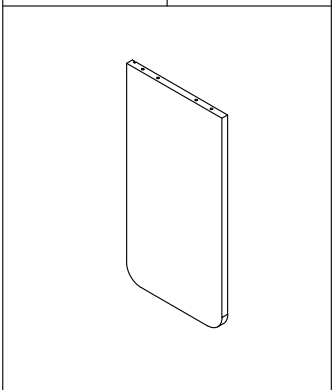
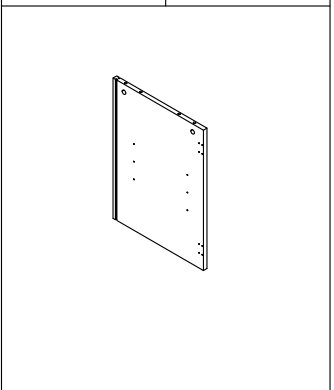
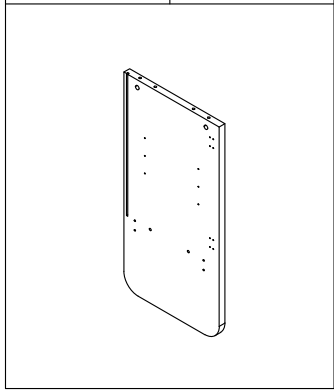
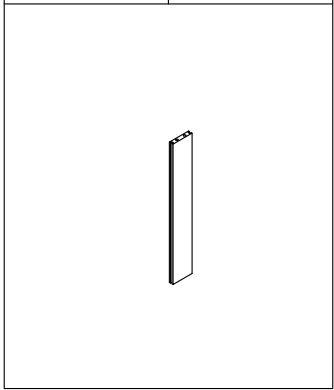
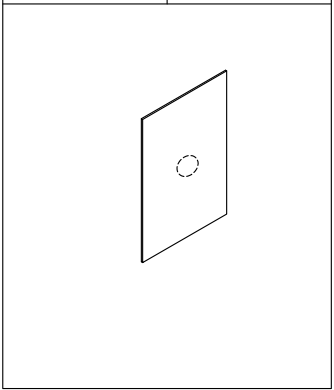
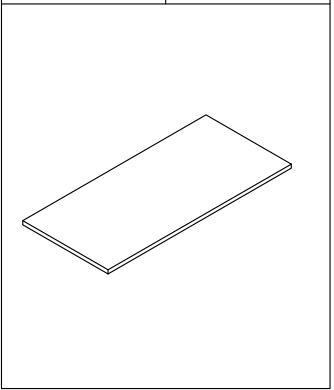
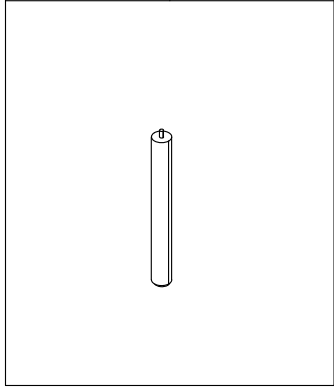
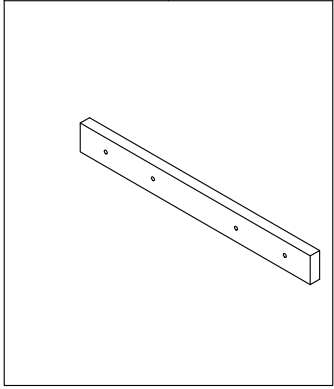
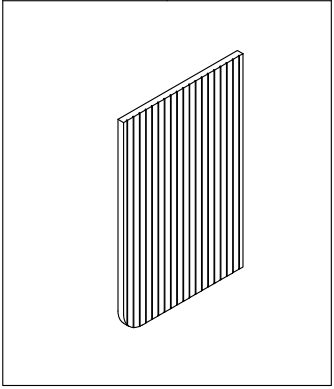
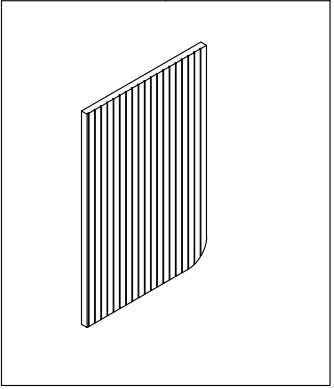
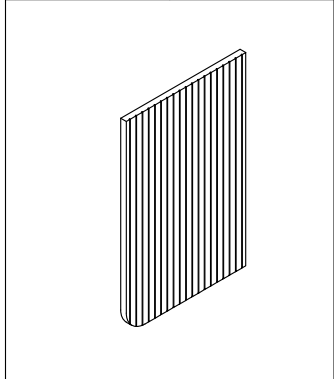
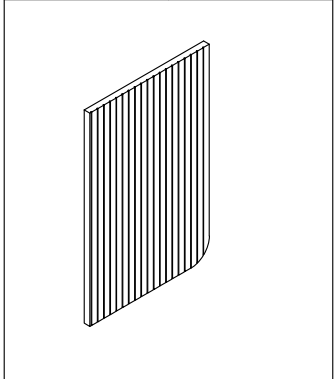
Weight Limitation
110 LBS

EXPLOSIVE VIEW

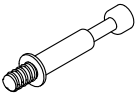

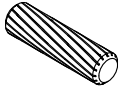
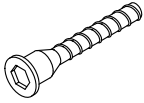

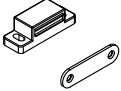



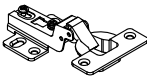
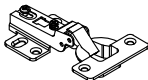

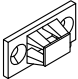







Around 45 min

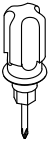
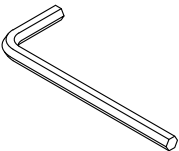
PARTS LIST

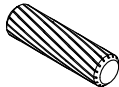

A	x1	B	x1	C	x1	D	x1
							
E	x1	F	x2	G	x4	H	x2
							
I	x1	J	x2	K	x1	L	x1
							
M	x1	N	x1				
							

HARDWARE LIST

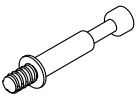

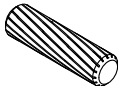
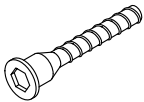


#1	x14	#2	x14	#3	x12	#4	x6	#5	x68	#6	x8
											
M6*35mm		Ø15*12mm		Ø8*30mm		Ø7*40mm		Ø3.5*14mm			
#7	x32	#8	x10	#9	x8	#10	x4	#11	x4	#12	x2
											
		M6*50mm									
#13	x4	#14	x4	#15	x4	#16	x4	#17	x4	#20	x4
											
				Ø4*35mm		Ø3.5*30mm					

TOOL LIST

#18	x1	#19	x1
			

#22	x4	#21	x48
			
Ø8*20mm		Ø4*14mm	

HARDWARE SPARE LIST

#1	x1	#2	x1	#3	x1	#4	x1	#5	x6	#21	x4
											
M6*35mm		Ø15*12mm		Ø8*30mm		Ø7*40mm		Ø3.5*14mm		Ø4*14mm	

ASSEMBLY INSTRUCTIONS

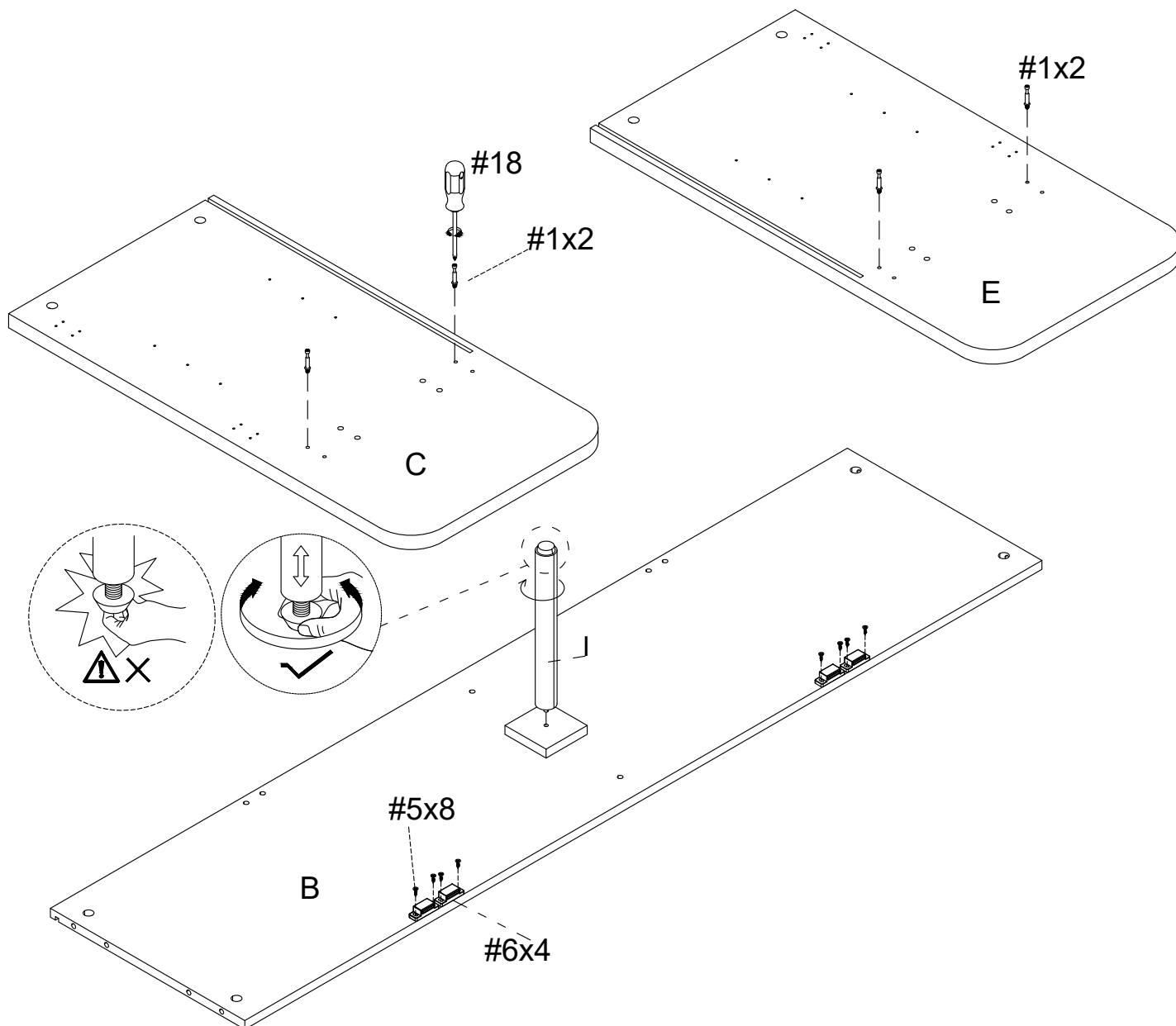
STEP-1


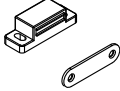
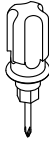
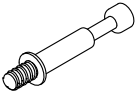
Prepare for part C & E

Align the holes in part C&E, tighten #1 with screwdriver #18.

install #6 with screw #5 by screwdriver #18.

connect middle foot I with part B

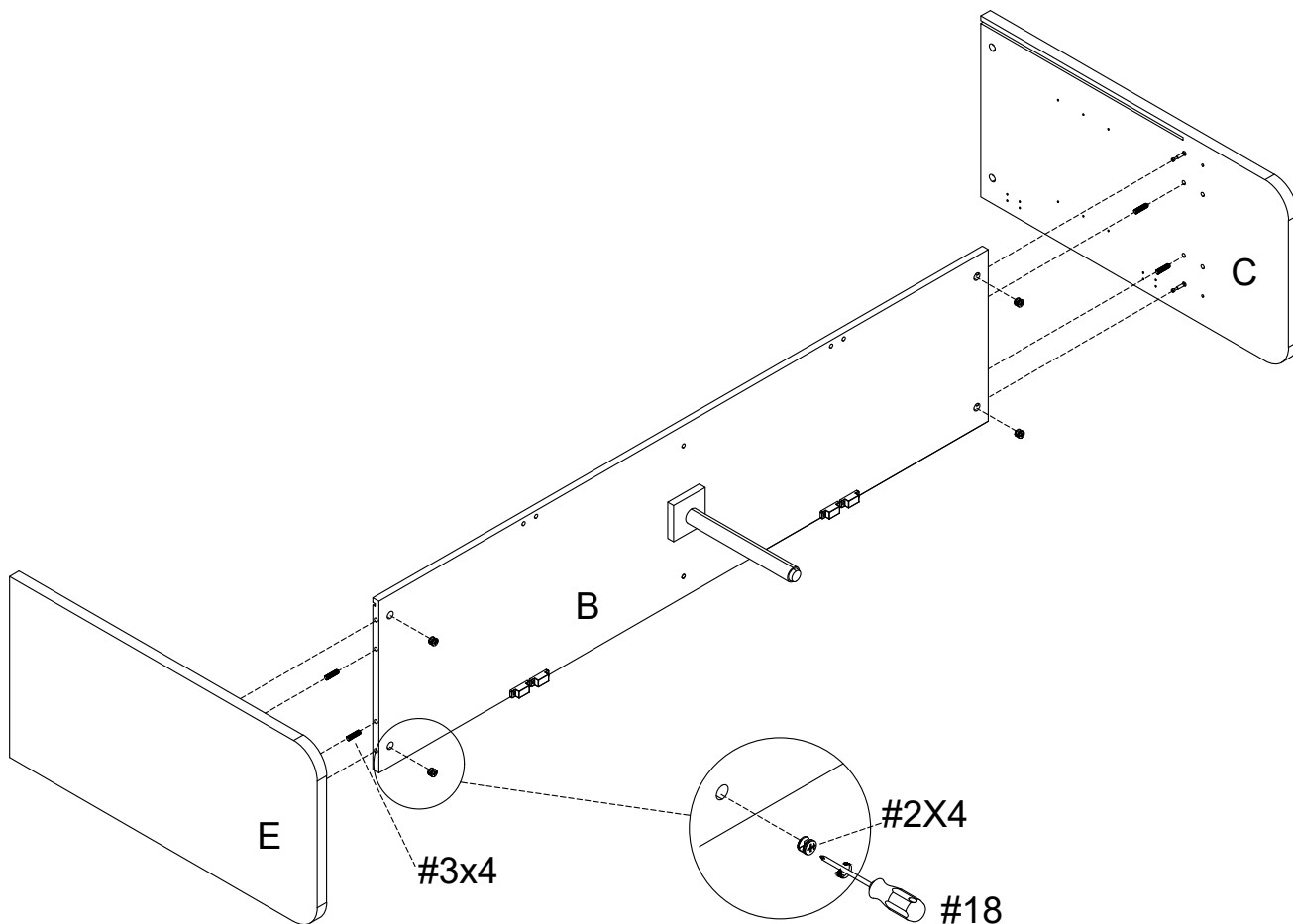


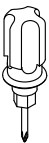

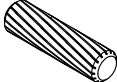
#5	x8	#6	x4	#18	x1	#1	x4
							
Ø3.5*14mm						M6*35mm	

ASSEMBLY INSTRUCTIONS

STEP-2

Align the holes in part B, insert wooden dowel #3 by hand
Connect the part B with part C&E,
insert cam bolt #2 into the corresponding hole of panel B.and tighten the
cam bolt #2 with a screwdriver #18



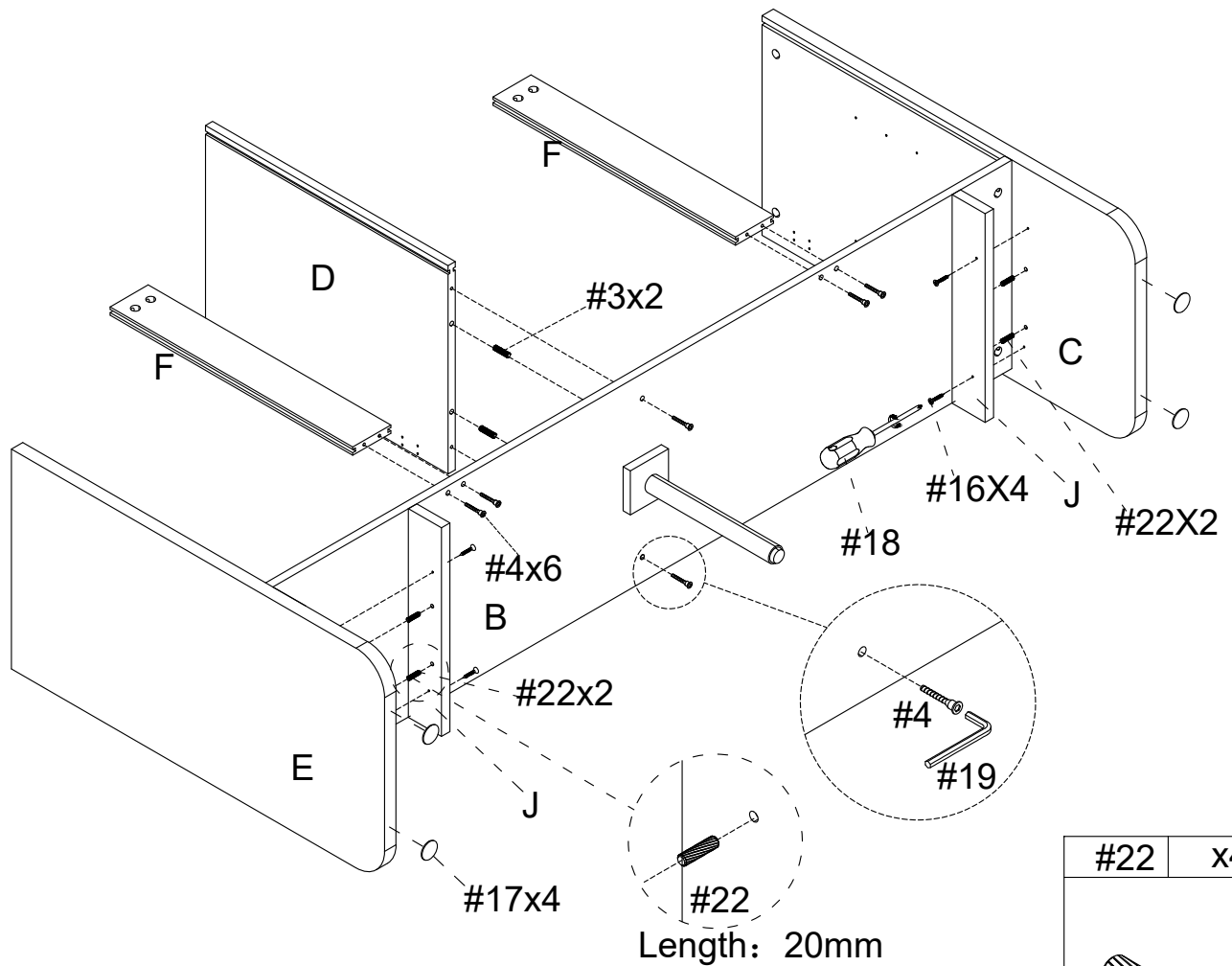
#18	x1	#2	x4	#3	x4
					
		Ø15*12mm		Ø8*30mm	

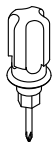


ASSEMBLY INSTRUCTIONS

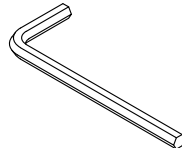
STEP-3

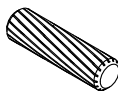
Align the holes in part D, insert wooden dowel #3 by hand
 Connect the part D&B with screw #4,
 Align the holes in part F&B,tighten screw #4 with allenkey #19

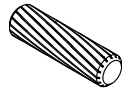
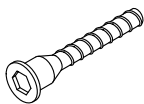
Align the holes in part J, insert wooden dowel #22 by hand
 Connect the part J with part C&E,and tighten the screw #16 with a
 screwdriver #18,.and then stick #17 on the panel C&E accordingly



#18	x1	#17	x4	#16	x4
					
				Ø3.5*30mm	

#19	x1
	

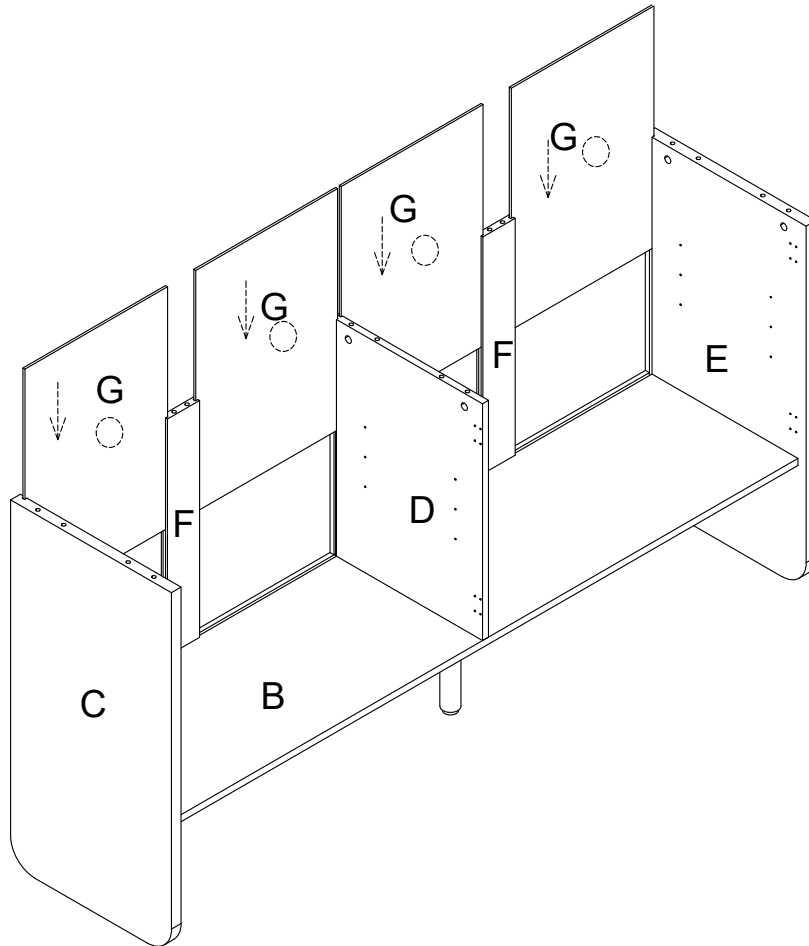
#3	x2
	
Ø8*30mm	

#22	x4
	
Ø8*20mm	
#4	x6
	
Ø7*40mm	

ASSEMBLY INSTRUCTIONS

STEP-4

slide in the part G into the groove in part C,F and F,D and D,F,and F,E .
make sure they are also in groove in parB



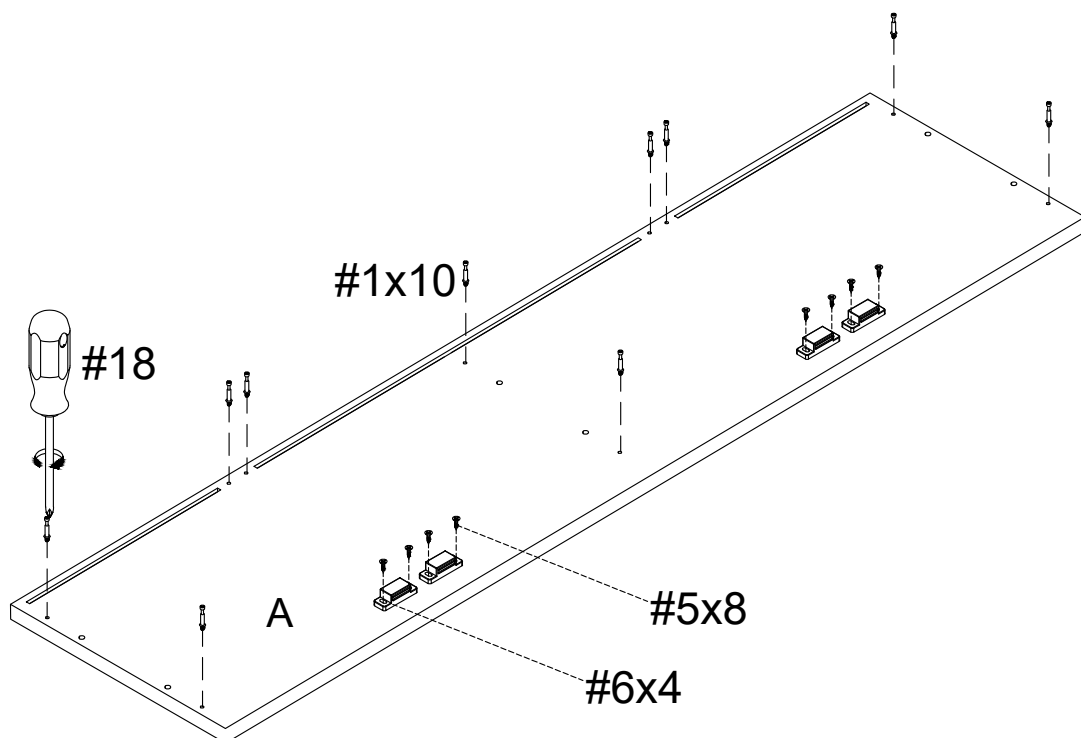
ASSEMBLY INSTRUCTIONS

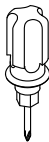
STEP-5

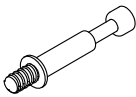
Prepare for part A.


Align the holes in part A, tighten #1 with screwdriver #18.

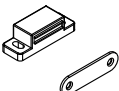
install #6 with screw #5 by screwdriver #18.



#18	x1
	

#1	x10
	
M6*35mm	

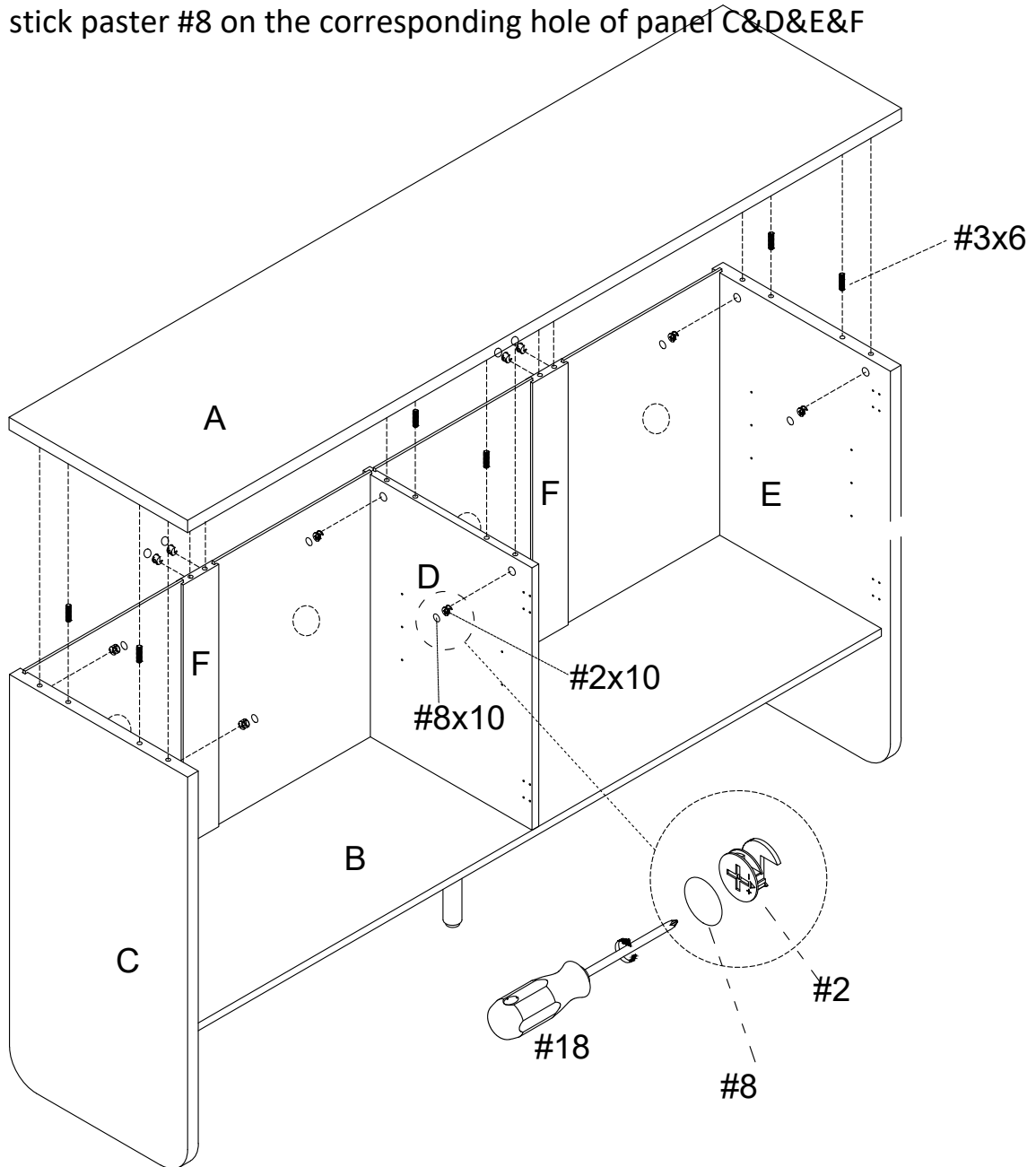
#5	x8
	
Ø3.5*14mm	

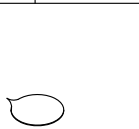
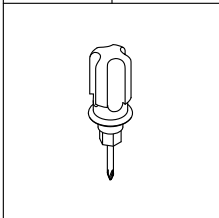
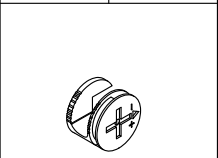
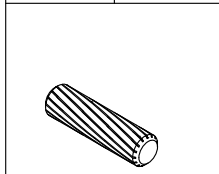
#6	x4
	

ASSEMBLY INSTRUCTIONS

STEP-6

Align the holes in part C&D&E, insert wooden dowel #3 by hand
Connect the part A with part C&D&E,
insert cam bolt #2 into the corresponding hole of panel C&D&E&F.and tighten the cam
bolt #2 with a screwdriver #18
and then stick paster #8 on the corresponding hole of panel C&D&E&F

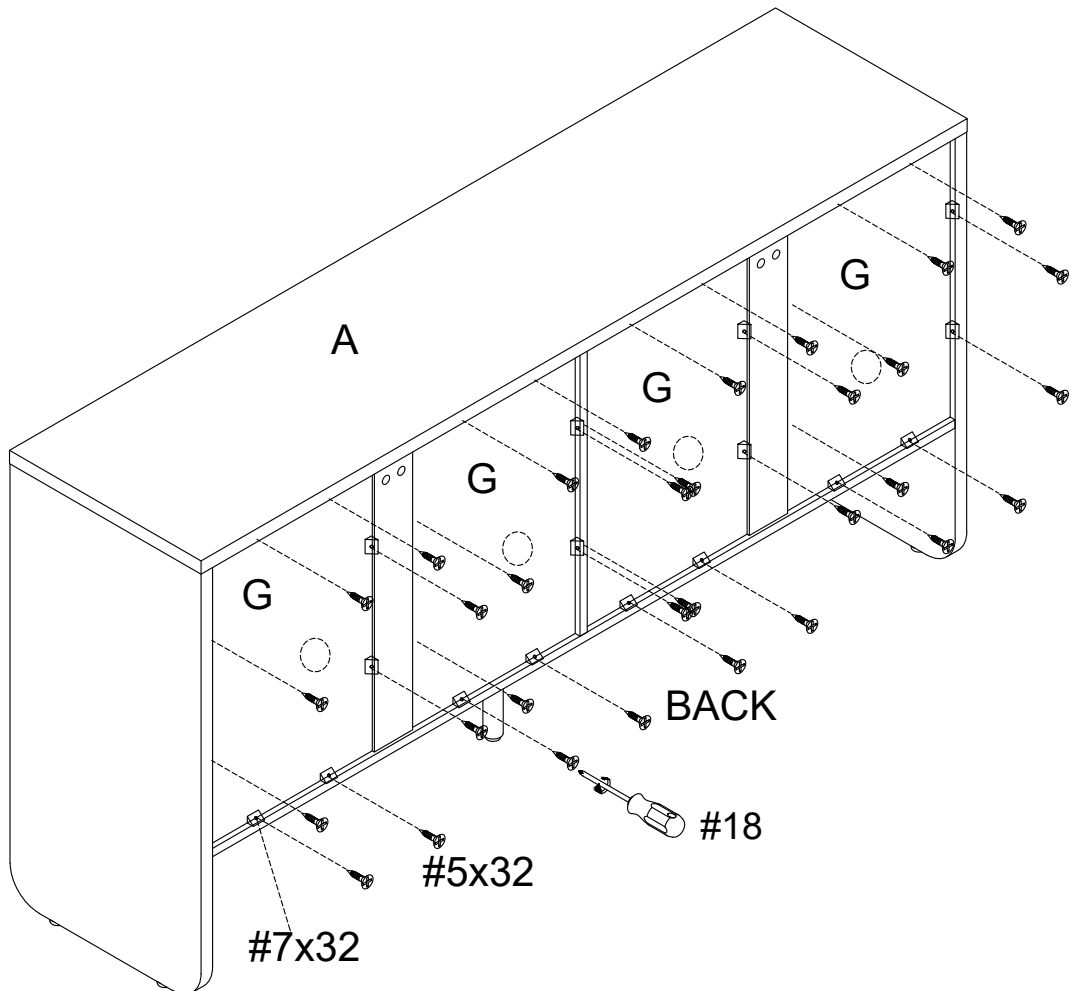


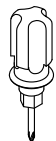


#8	x10	#18	x1	#2	x10	#3	x6
							
				Ø15*12mm		Ø8*30mm	

ASSEMBLY INSTRUCTIONS

STEP-7

Insert hardware #7 into part G as shown, screw in screw #5 using screwdriver #18 and tighten fully.

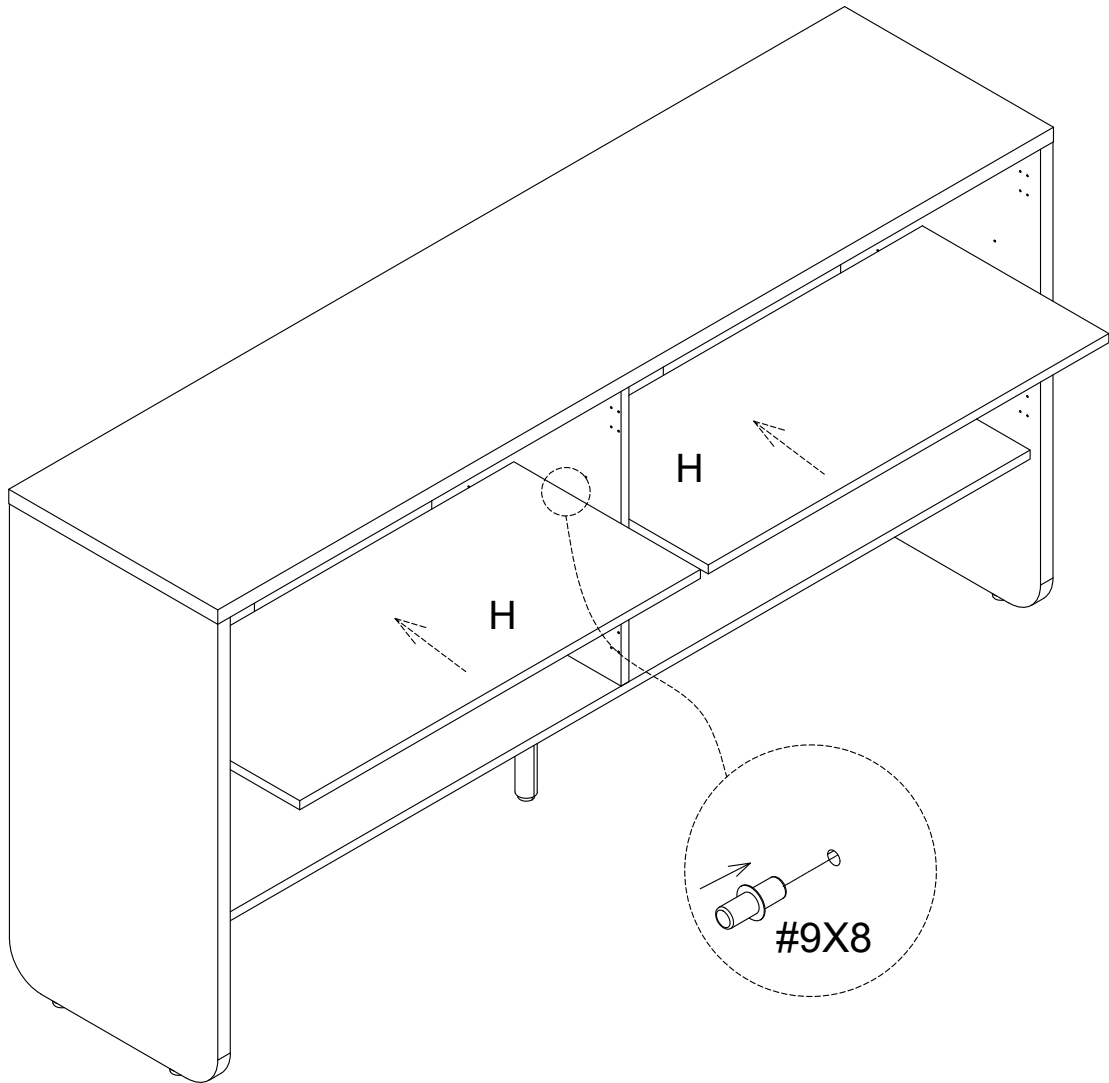



#18	x1	#7	x32	#5	x32
					
				Ø3.5*12mm	

ASSEMBLY INSTRUCTIONS

STEP-8

Insert shelf pin #9 into the holes attach adjustable shelf H to pin #9



#9	x8
	

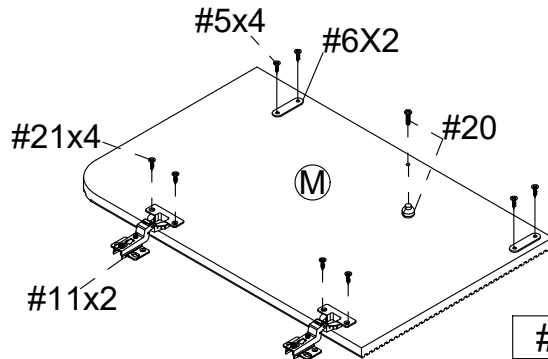
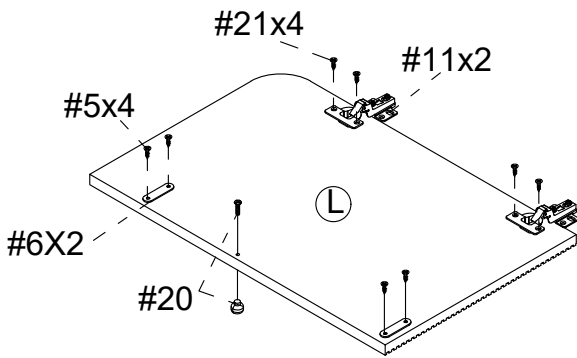
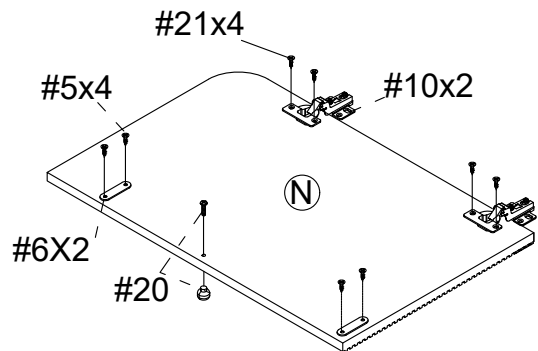
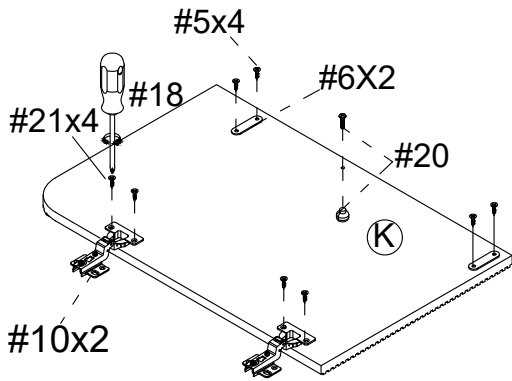
ASSEMBLY INSTRUCTIONS


STEP-9


Use screw #21 to attach the hinges #10 to door panel (K&N), Use screw #5 to attach the hinges #11 to door panel (L&M), tighten screws #5 with screwdriver #18.


Use screw #5 to attach the hardware #6 to door panel (K&L&M&N), tighten screws #5 with screwdriver #18.

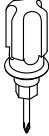
install handle #20 to door panel (k&L&M&N)

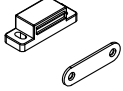


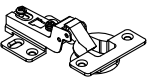
#21	x16
	
Ø4*14mm	

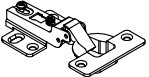
#20	x4
	

#5	x16
	
Ø3.5*14mm	

#18	x1
	

#6	x8
	

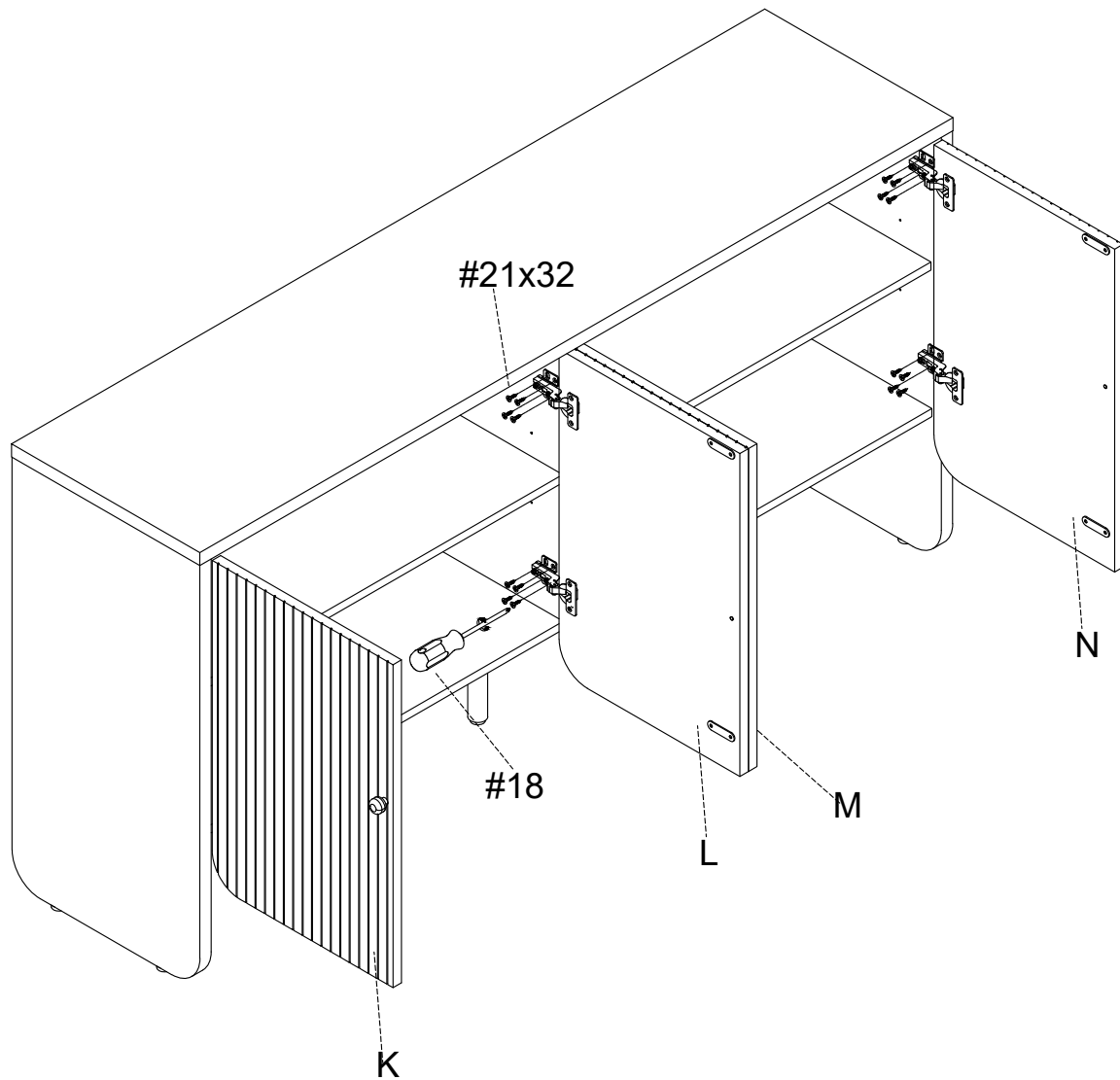
#10	x4
	

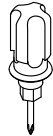

#11	x4
	

ASSEMBLY INSTRUCTIONS

STEP-10

Make sure the doors (K&L&M&N) are installed as picture show

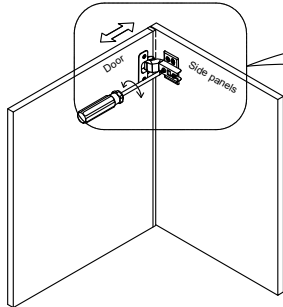


#18	x1	#21	x32
			
		Ø4*14mm	

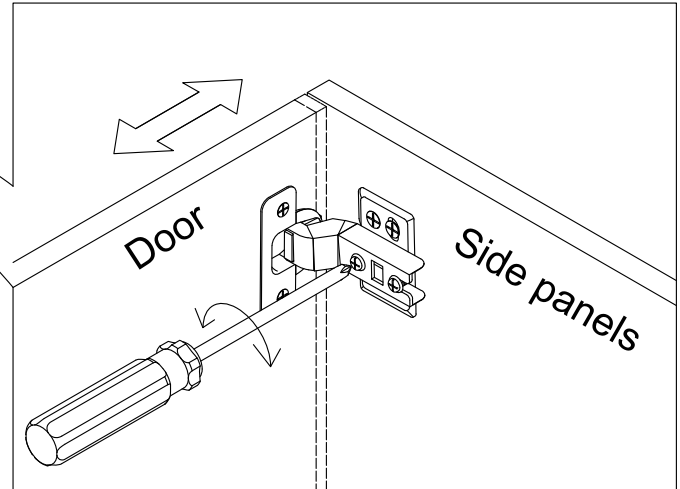
ASSEMBLY INSTRUCTIONS

STEP-11

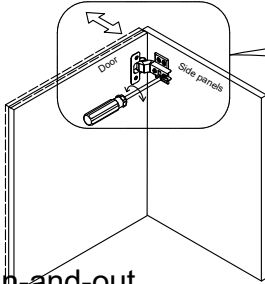
Concealed hinges are three-way adjustable:



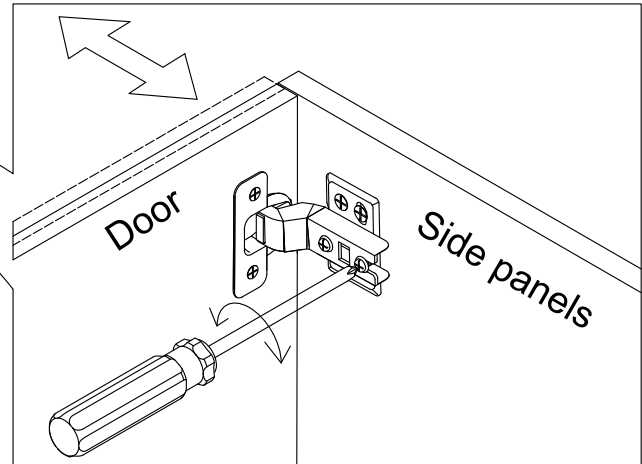
Horizontal
by screw adjustment!



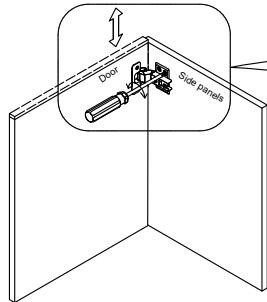
Concealed hinges are three-way adjustable:



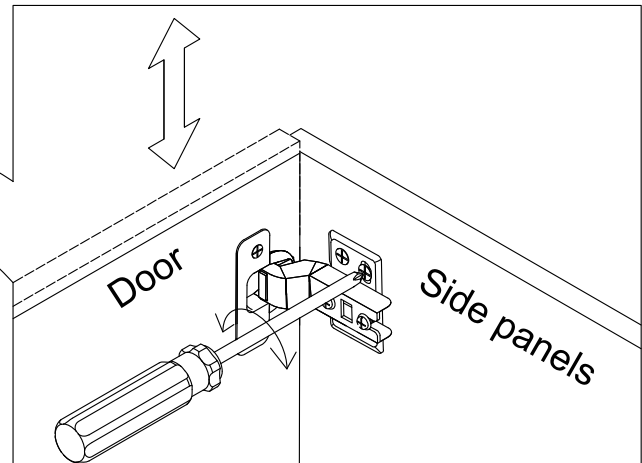
In-and-out
by loosening the hinge arm
mounting screw or via cam
adjustment!



Concealed hinges are three-way adjustable:



Vertical via slots in
the mounting plate
or via cam
adjustment!



ASSEMBLY INSTRUCTIONS

STEP-12

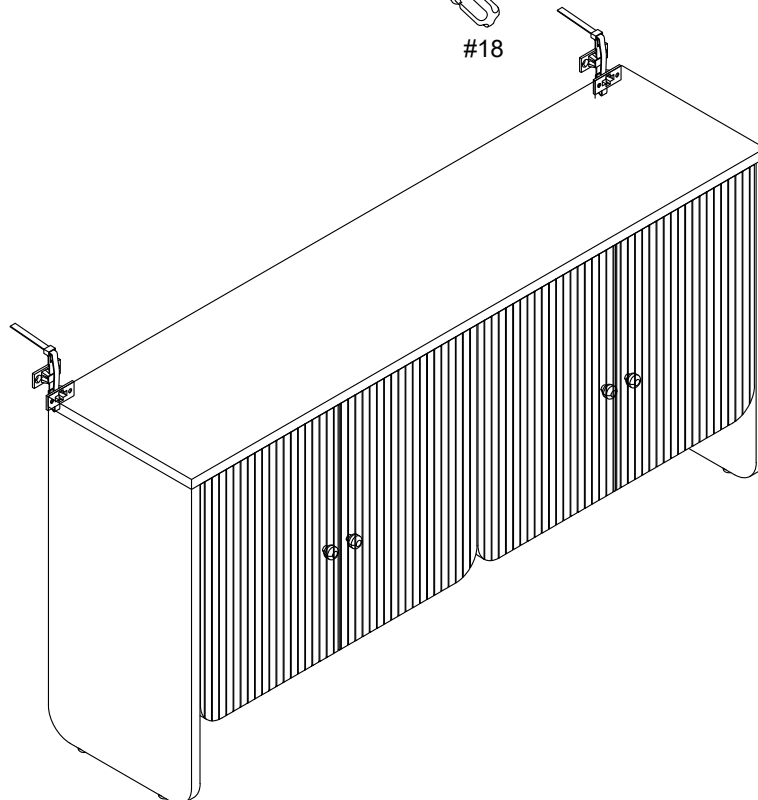
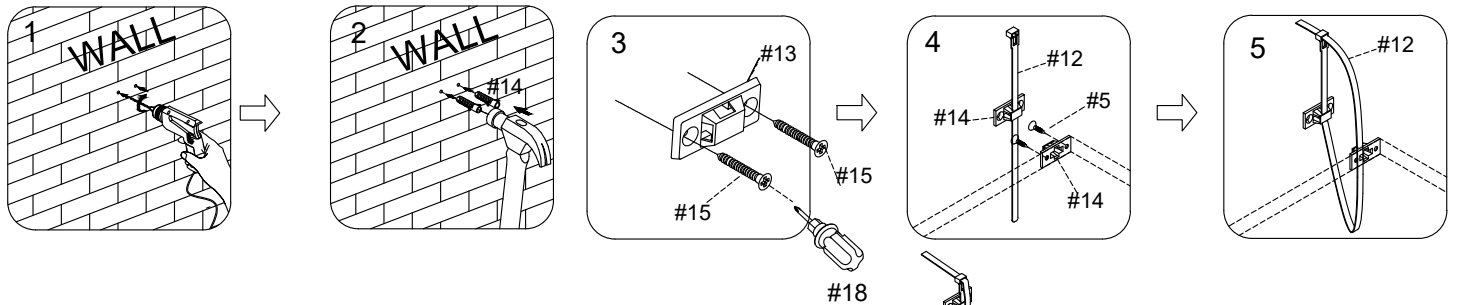
1. Install the anti-collapse device.




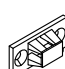


2. Mark the position on the wall, that corresponds to the location of part #13 on the panel (A); Drill and insert the expandable screw #14 by hammer.

3. Assemble the part #13 to the wall. Align the hole in the part #13 with the expandable screw #14, use screw #15 to attach it and tighten by screwdriver #18.

install part #13 on the panel A with screw #5 by screwdriver #18.

4. Let the plastic belt #12 pass through the both part #13 and pull tightly.



#18	x1	#5	x4	#12	x2	#13	x4	#14	x4	#15	x4
											
		Ø3.5*14mm								Ø4*35mm	

WARRANTY

1. We strive to offer high-quality products, and we also try our best to satisfy each and every customer that orders from us with product or service as needed.
2. We provide 30 days warranty starting from the time you receive the item. Each customer must provide a record of their order such as the order number, or item receipt for any items that are out of the warranty period you may also still receive.
3. Replacement parts by purchasing them with our company if they are available.