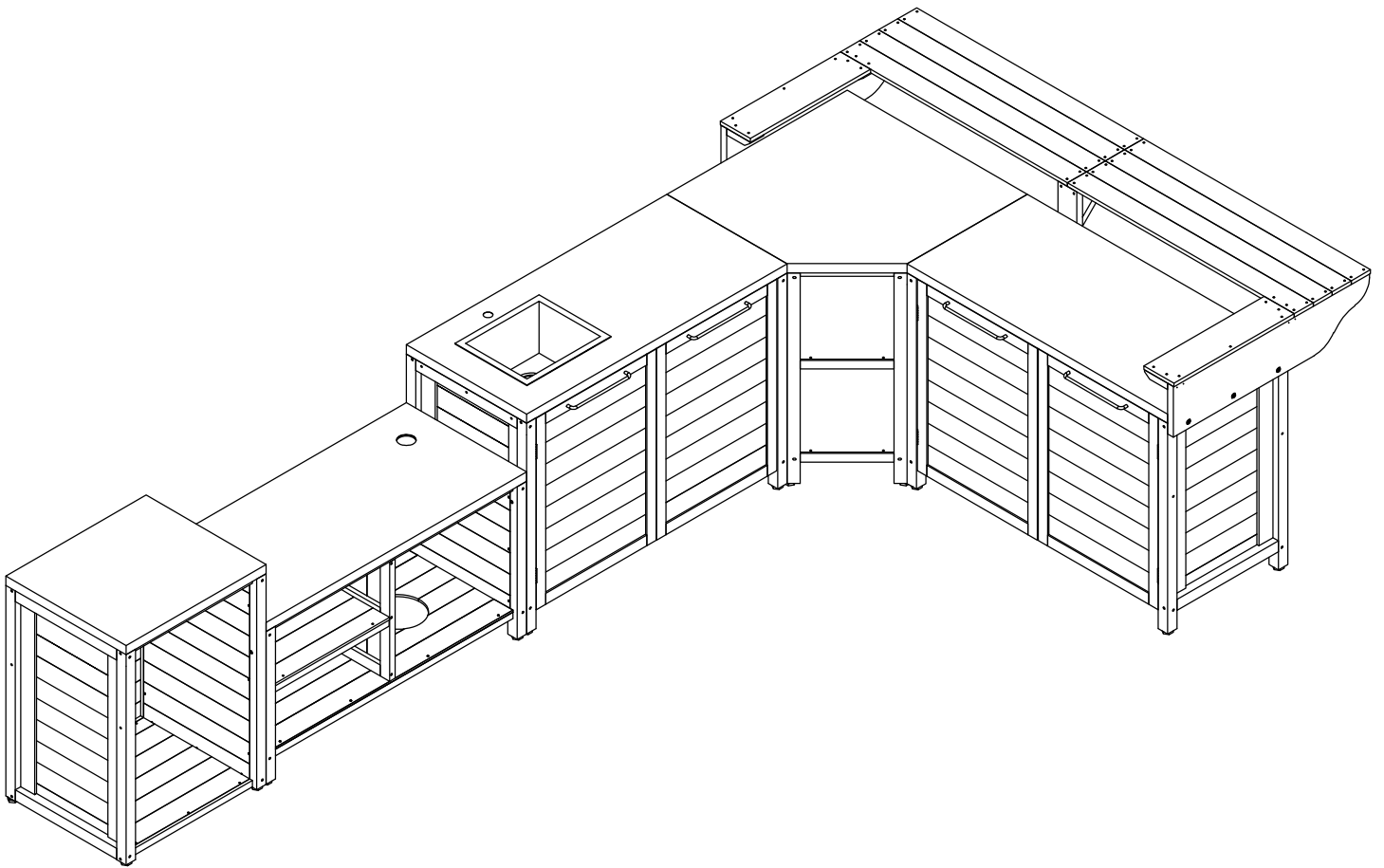


INSTALLATION

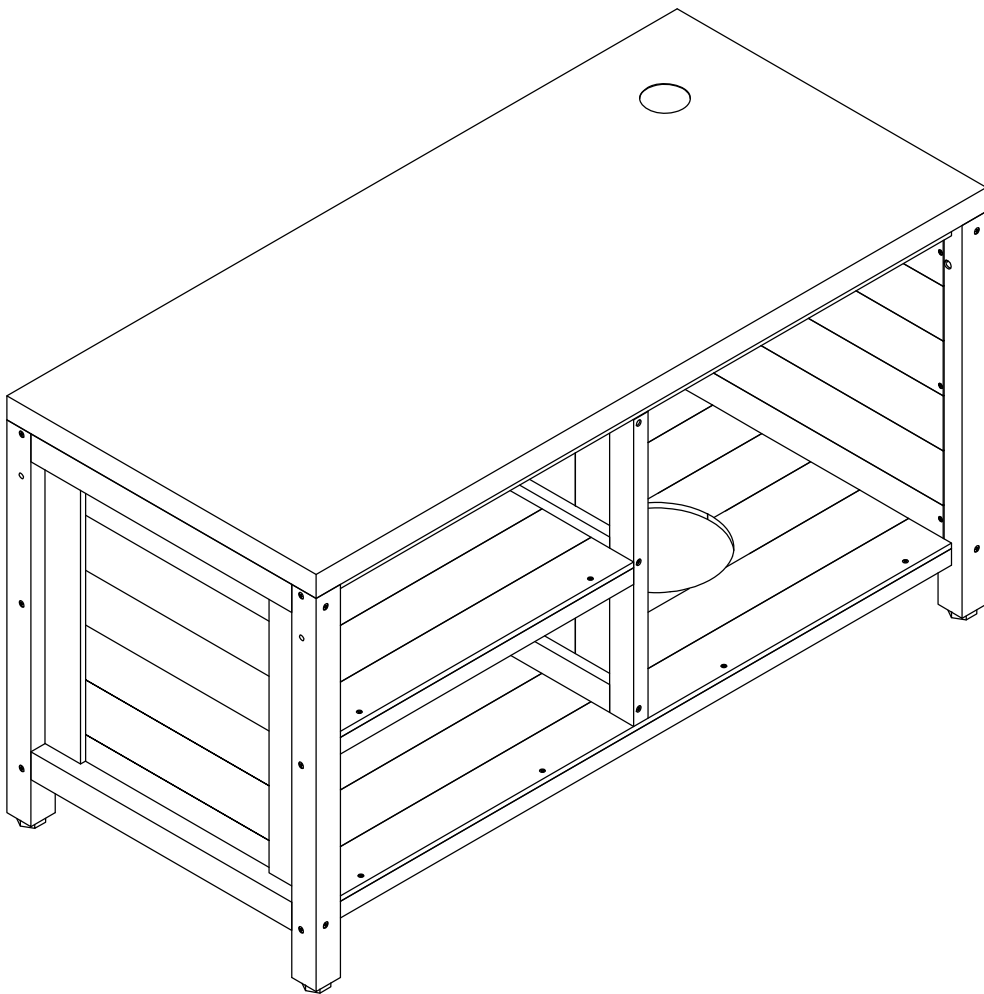
Product Manual

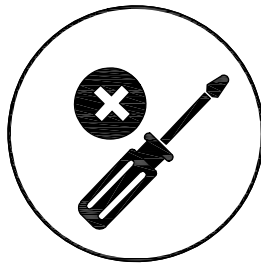
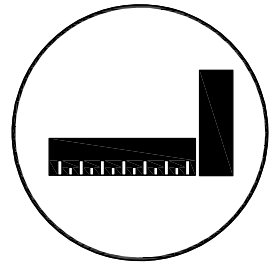
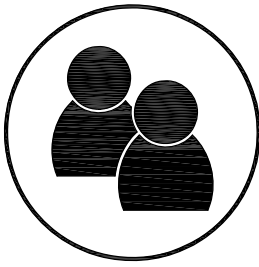
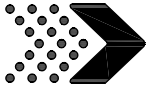
Version: 510041US-00-26A

Installation Instructions

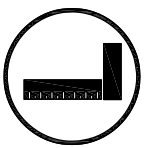


Installation Instructions

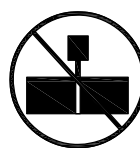




Icons and their uses you will see throughout this manual



You will need to make sure that your assembly is square before tightening your bolts.



This icon warns you to not over tighten your bolts. This is to prevent structural damage and also splintering your wood.



For proper assembly you will need to ensure that your structure is level before proceeding to the next step.



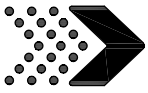
This icon will show you what drill attachments are needed. For this example you will need a Phillips head attachment .



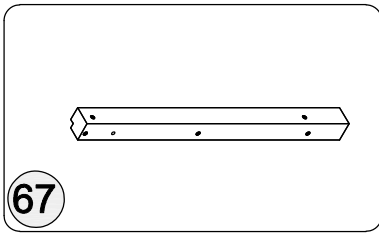
Some steps in the assembly process will require an extra set of hands. Make sure you have a helper available.



This size of the open-end wrench on these icons should correspond to the size of the nut.

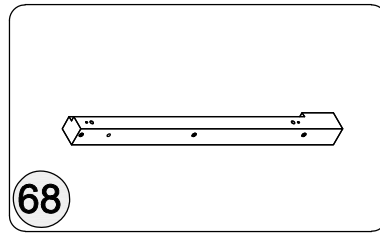


Wood Components (Not to Scale)



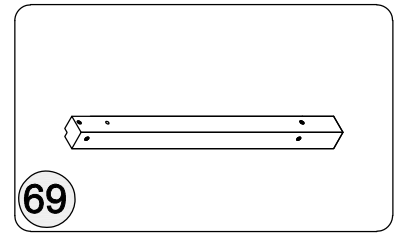
67

Left front pillar
Qty: 1



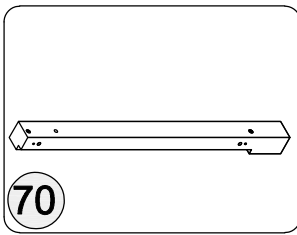
68

Left rear pillar
Qty: 1



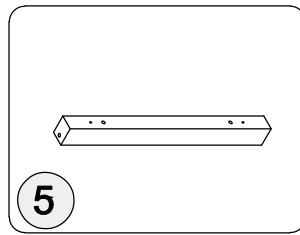
69

Right front pillar
Qty: 1



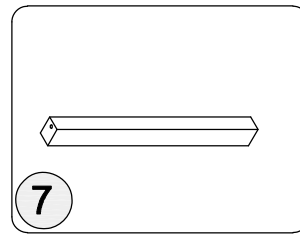
70

Right rear pillar
Qty: 1



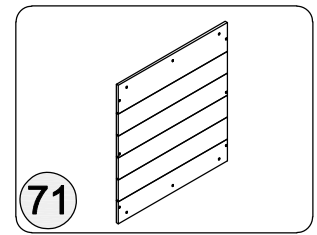
5

Upper strips
Qty: 2



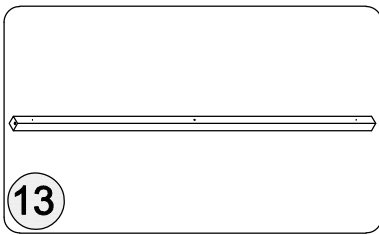
7

Lower bars
Qty: 2



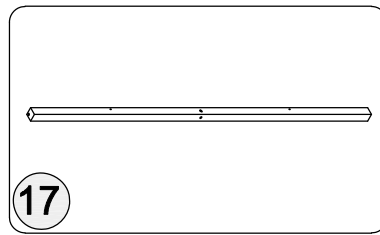
71

Core boards
Qty: 2



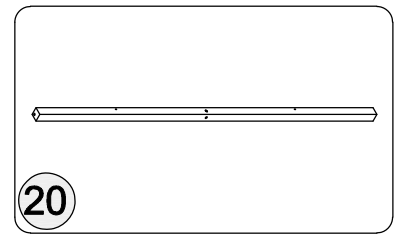
13

Bottom support strip
Qty: 2



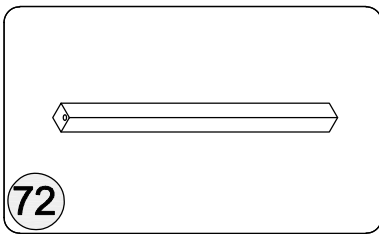
17

Front pull strips
Qty: 1



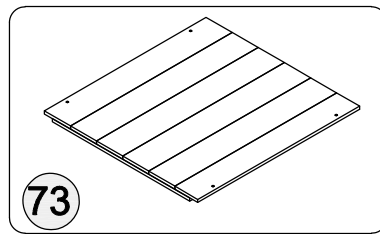
20

Rear pull strips
Qty: 1



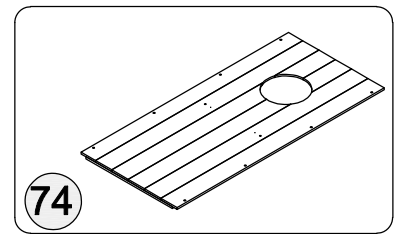
72

Layer shelf support strip
Qty: 2



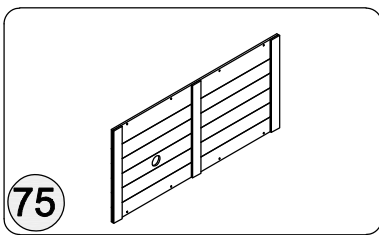
73

shelf board
Qty: 1



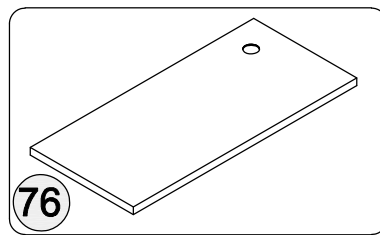
74

Bottom core board
Qty: 1



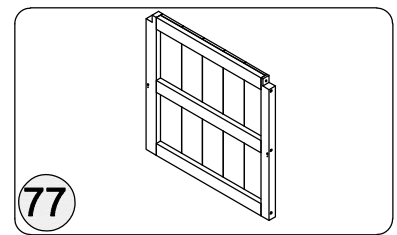
75

backplane
Qty: 1



76

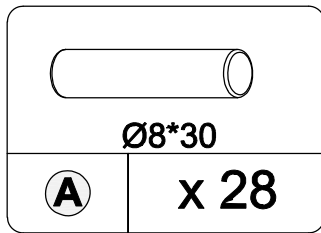
panel
Qty: 1



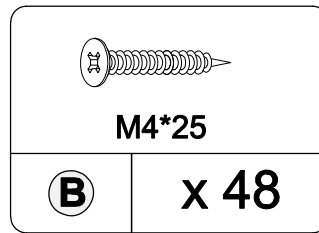
77

Middle side panel
Qty: 1

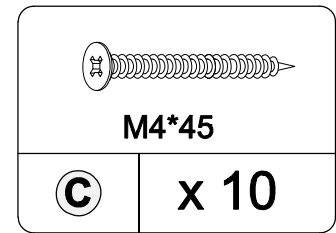
Hardware Components



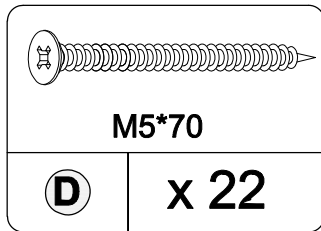
Wooden tenons



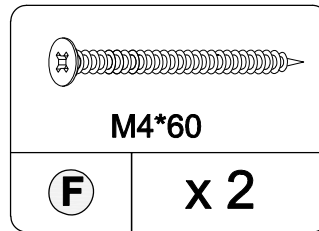
Screw



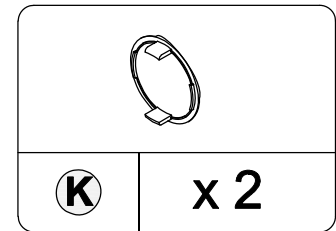
Screw



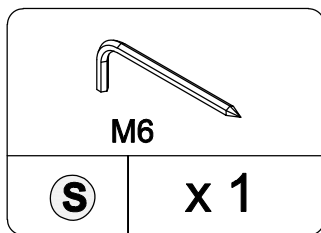
Screw



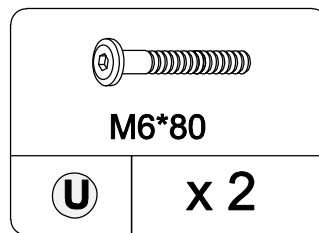
Screw



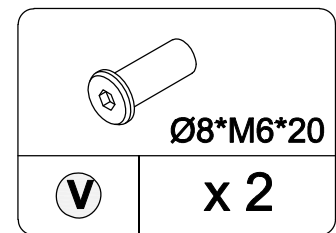
Outlet box



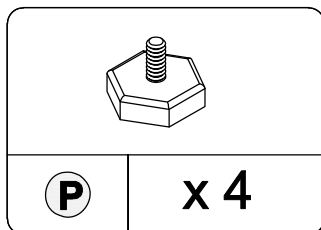
screwdriver



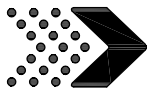
screws



nut

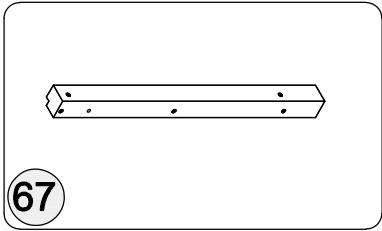


Adjusting Wheel

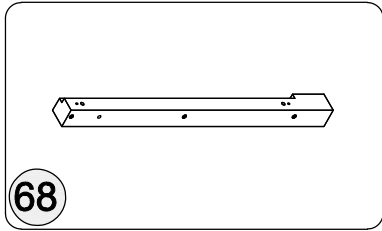


Installation of left pull strip

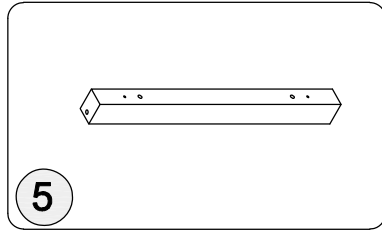
Step 1



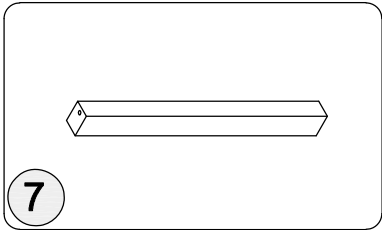
67
Left front pillar
Qty: 1



68
Left rear pillar
Qty: 1



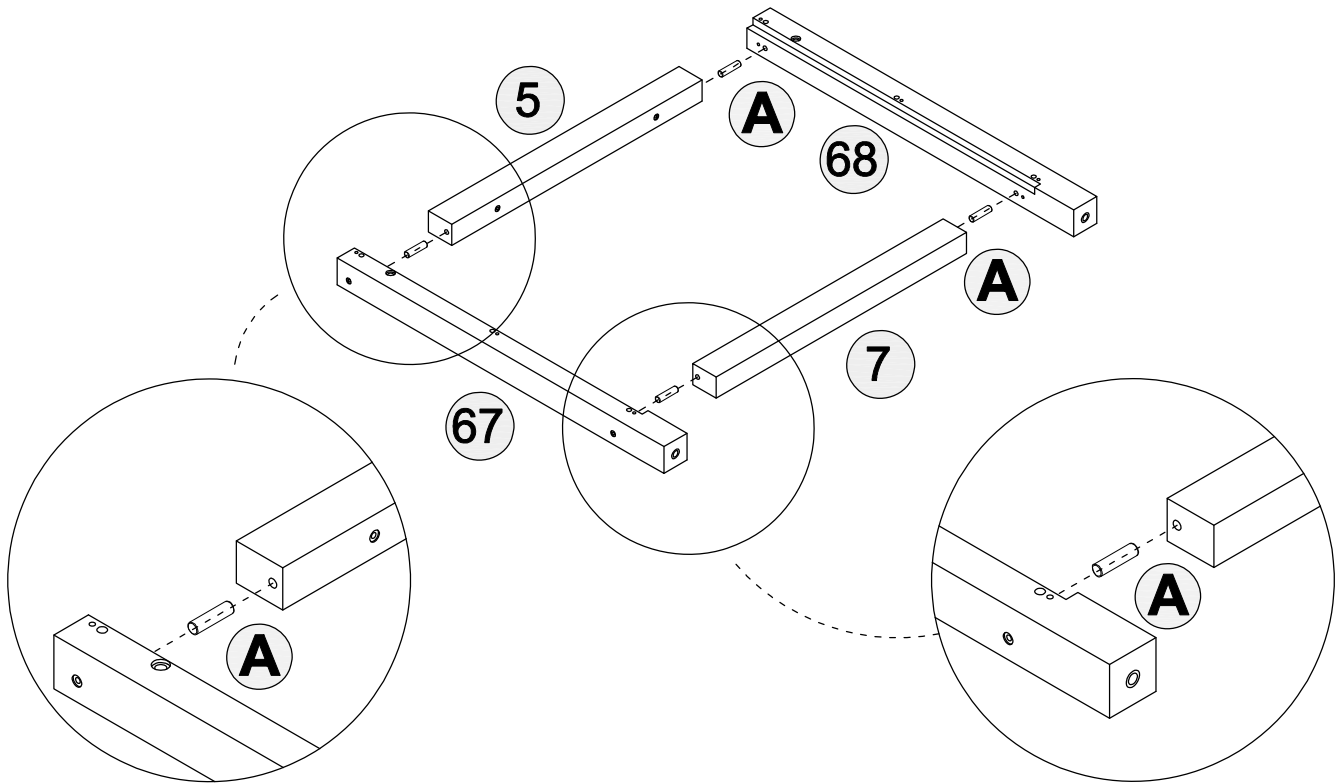
5
Upper strips
Qty: 1

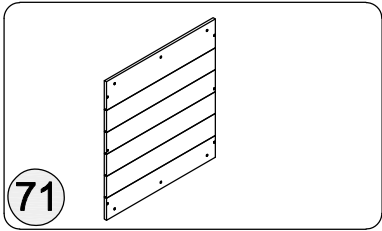
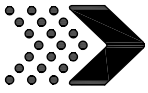


7
Lower bars
Qty: 1

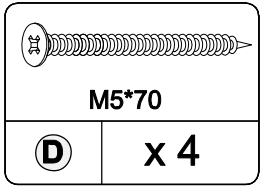
Ø8*30	
A	x 4

1. Connect the components with hardware A, ensuring the correct hole positions

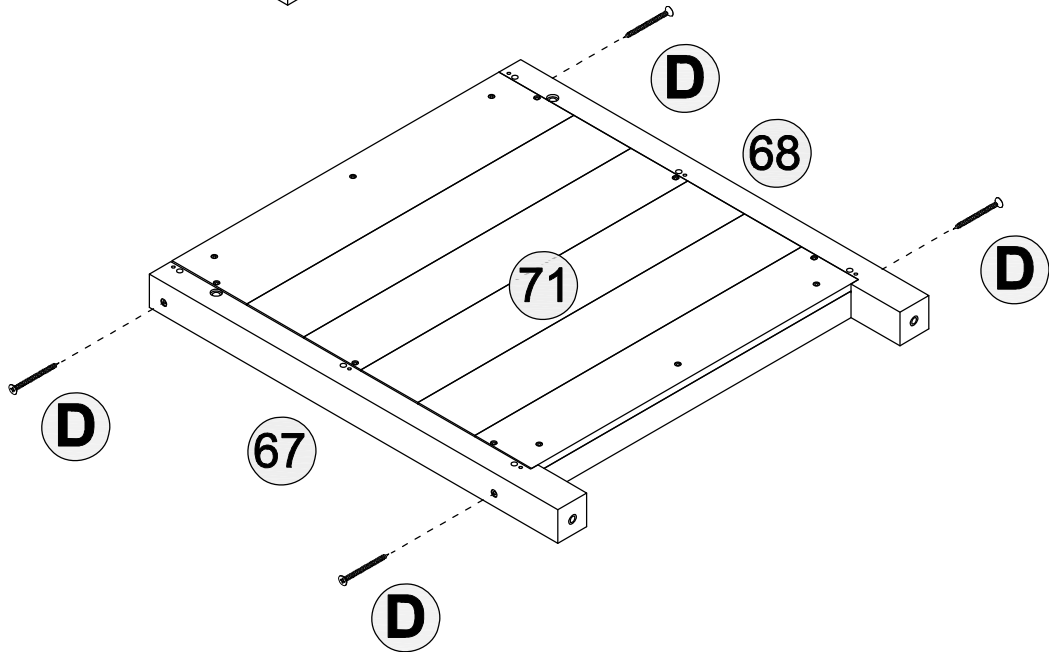
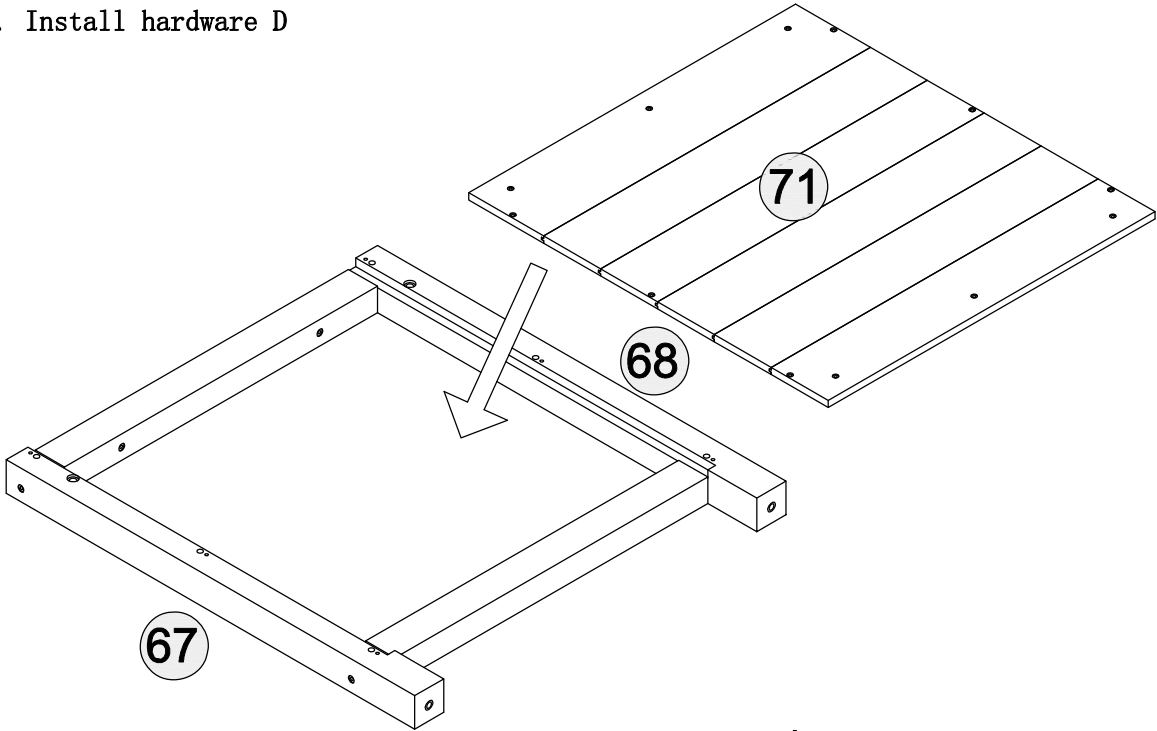


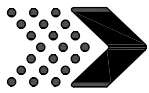


71
Core boards
Qty: 1

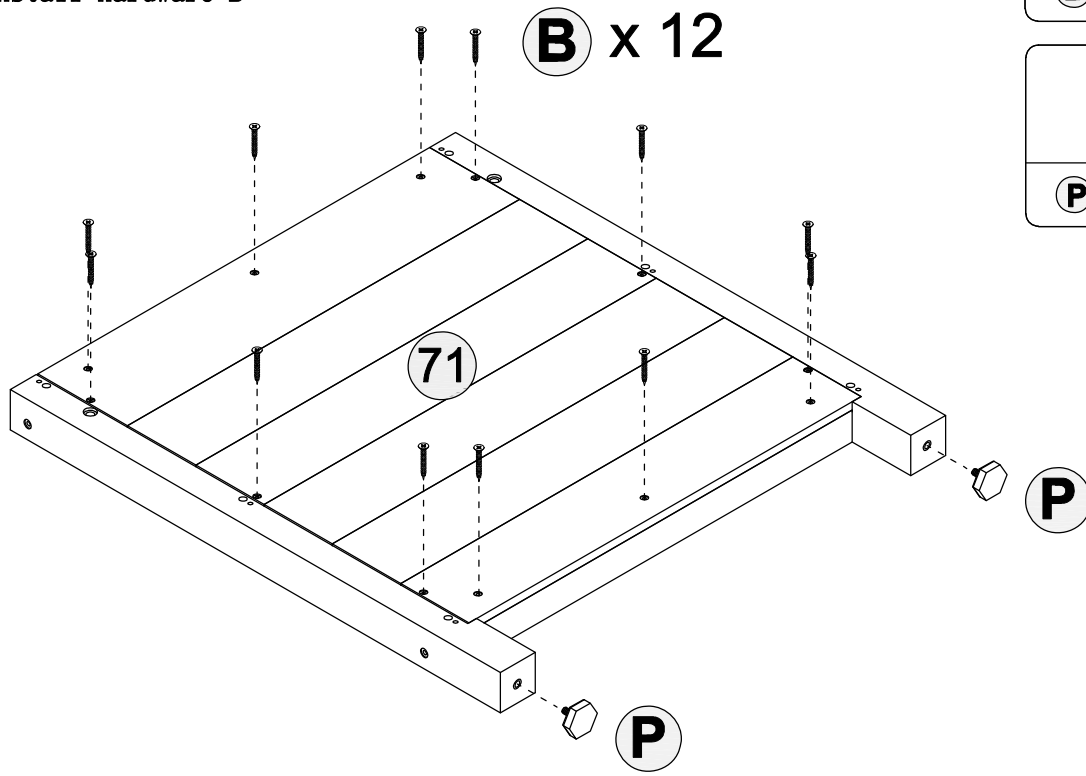



1. Insert part 71, ensuring it is level both vertically and horizontally
2. Install hardware D

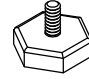


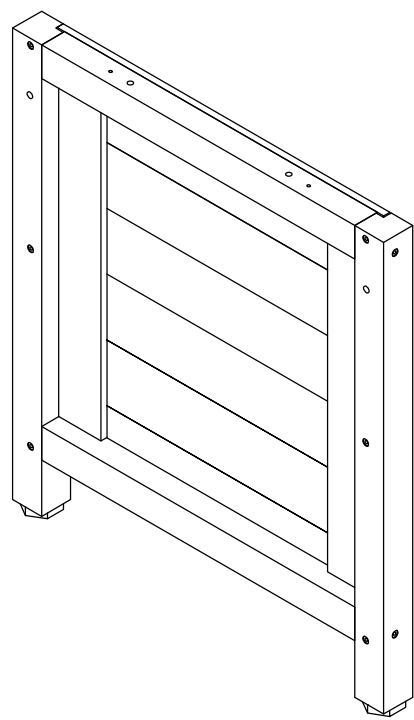


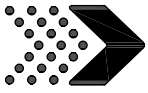
1. Install hardware B




M4*25
B
x 12

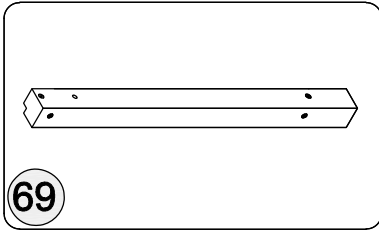

P
x 2



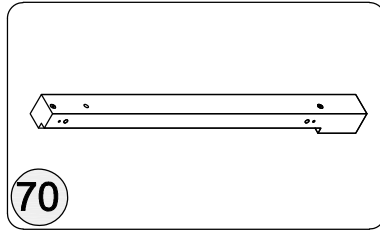


Installation of the right pull strip

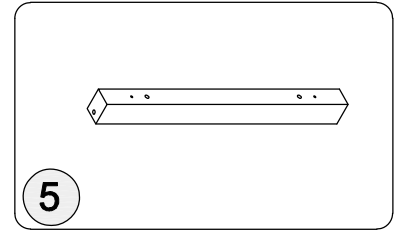
Step 4



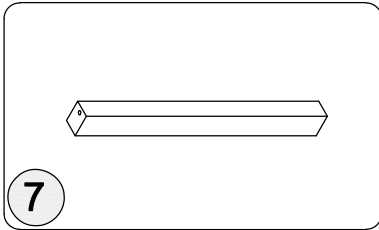
69
Right front pillar
Qty: 1



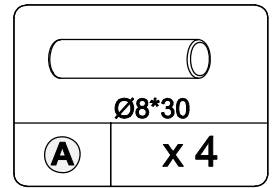
70
Right rear pillar
Qty: 1



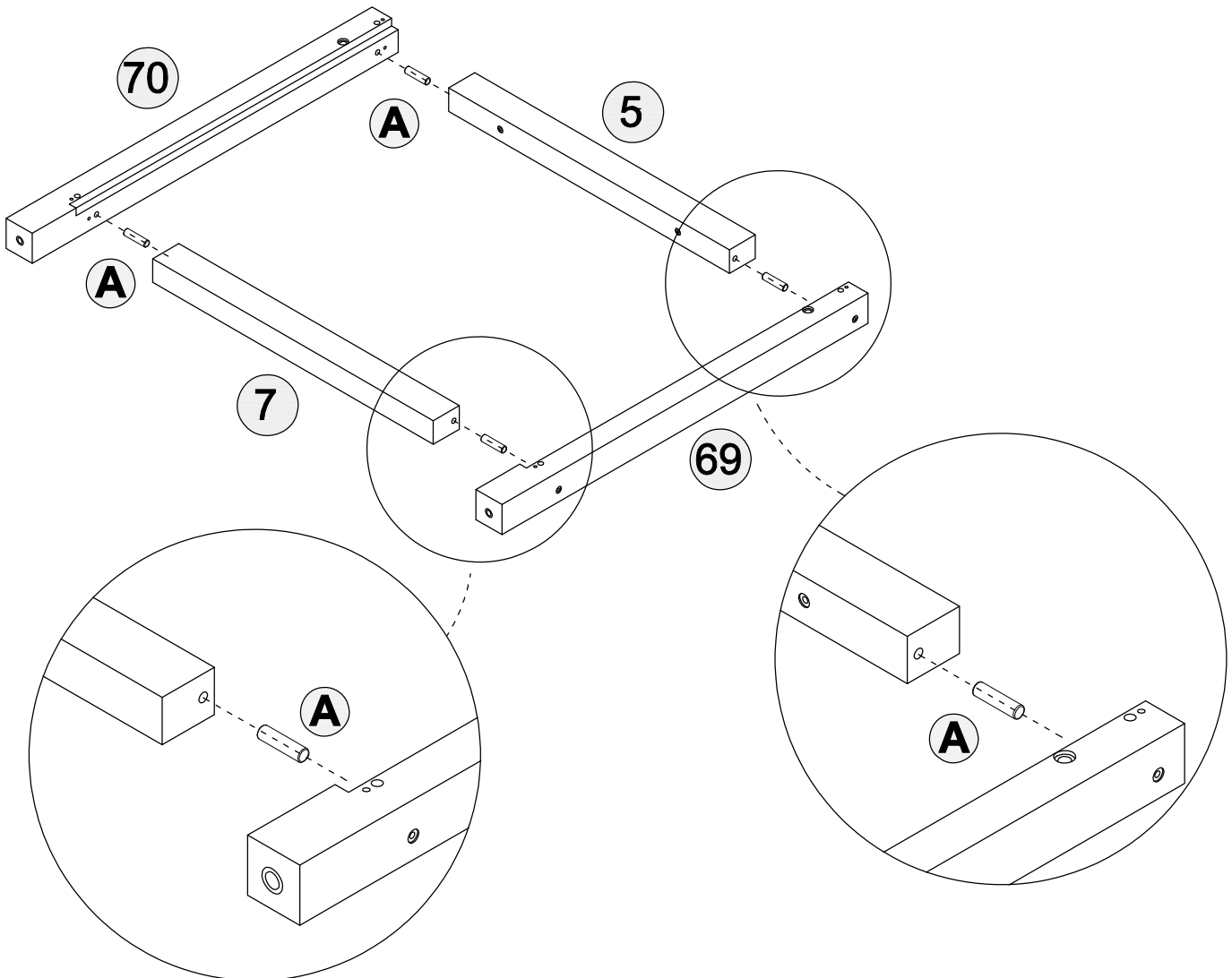
5
Upper strips
Qty: 1

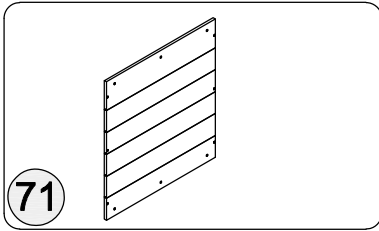
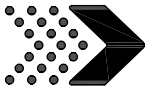


7
Lower bars
Qty: 1



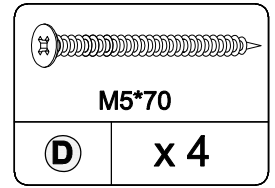
1. Connect the components with hardware A, ensuring the correct hole positions





71

Core boards
Qty: 1

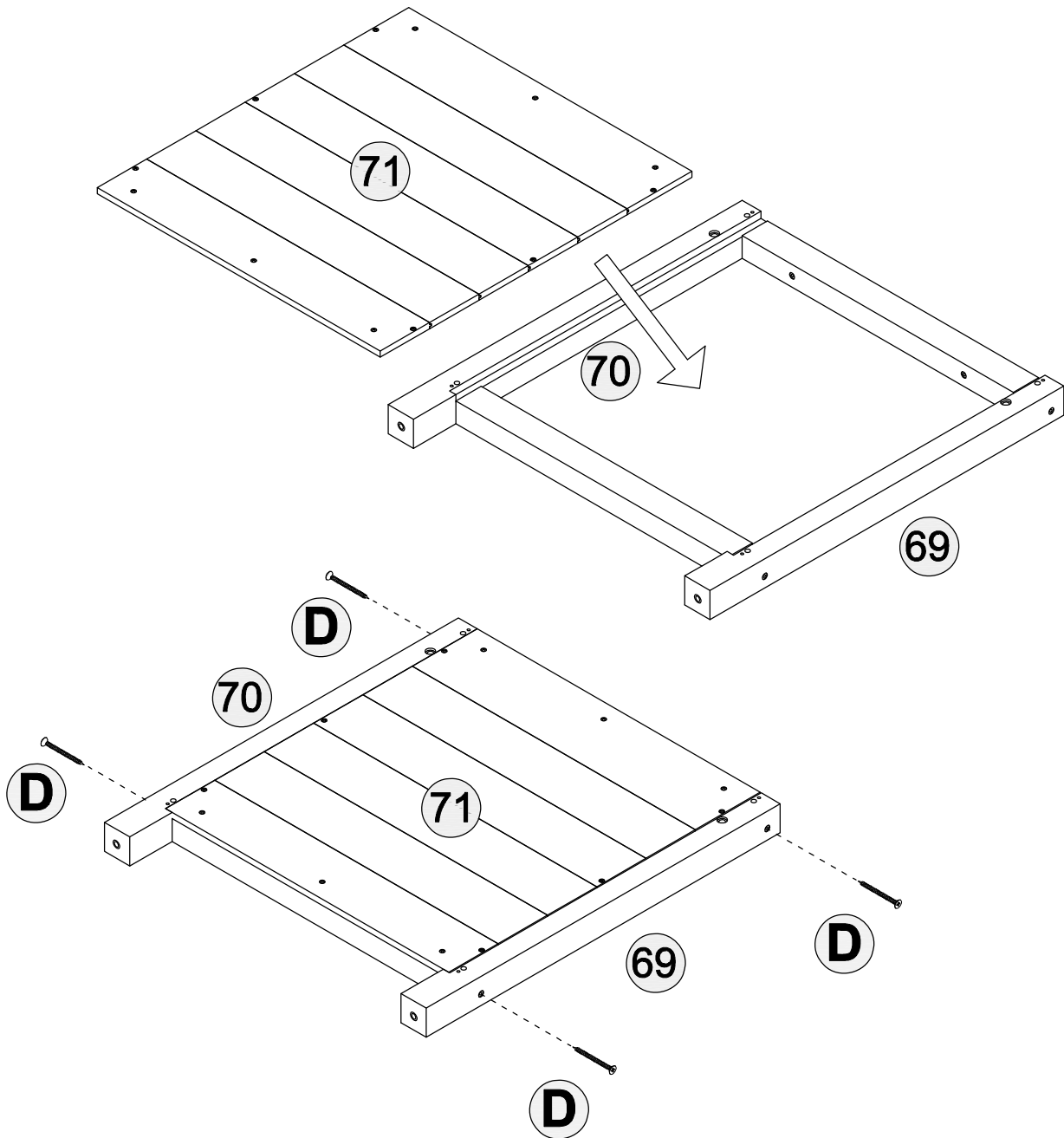


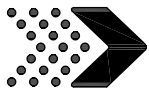
M5*70

D

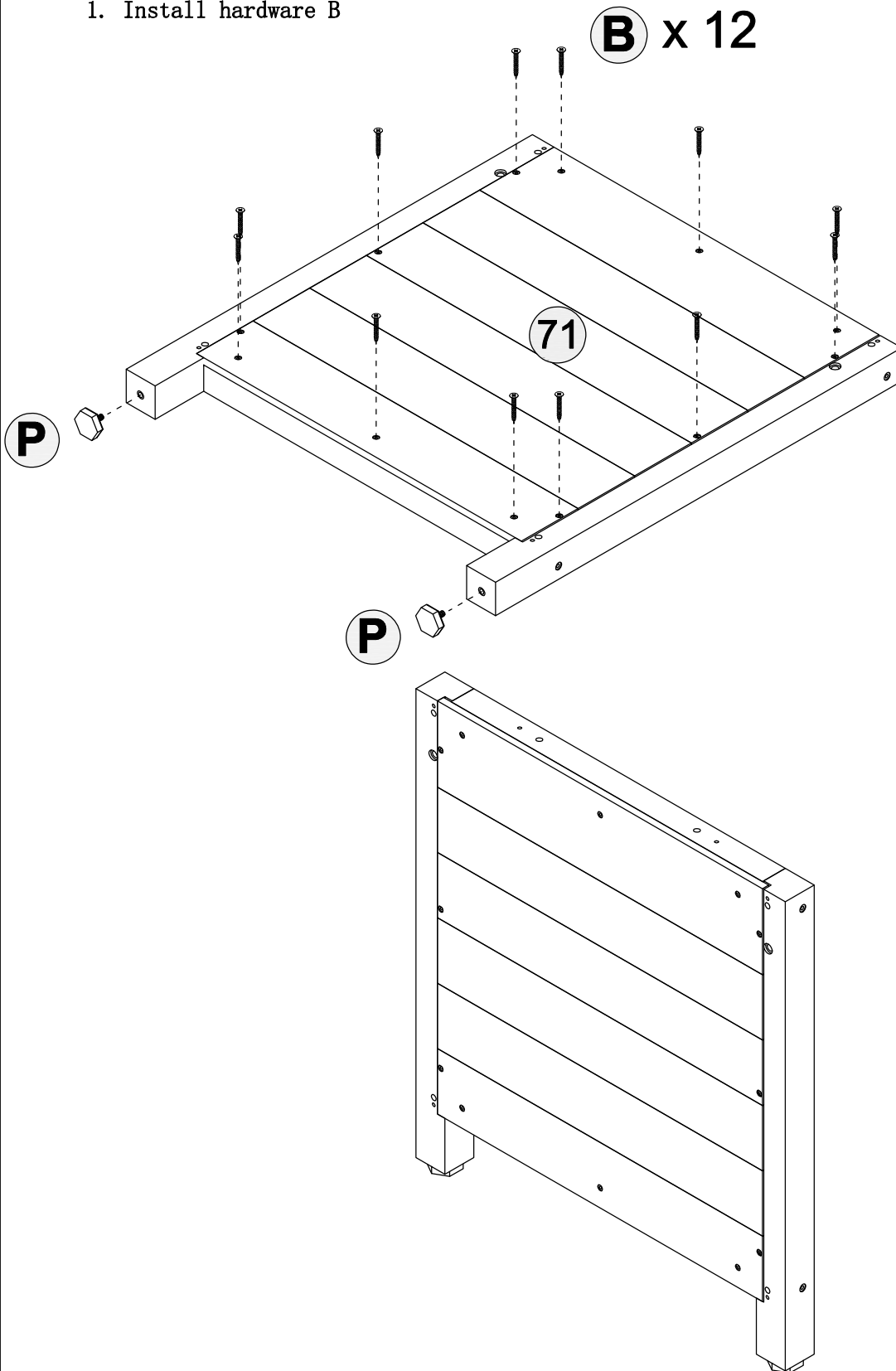
x 4


1. Insert part 71, ensuring it is level both vertically and horizontally
2. Install hardware D

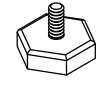


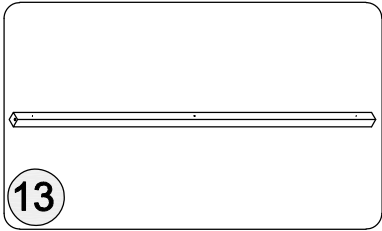


1. Install hardware B

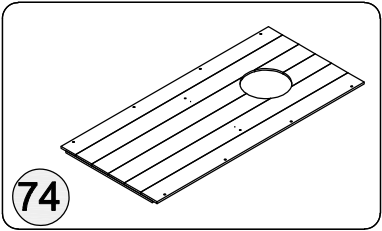


	
M4*25	
B	x 12

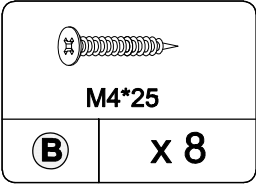
	
P	x 2



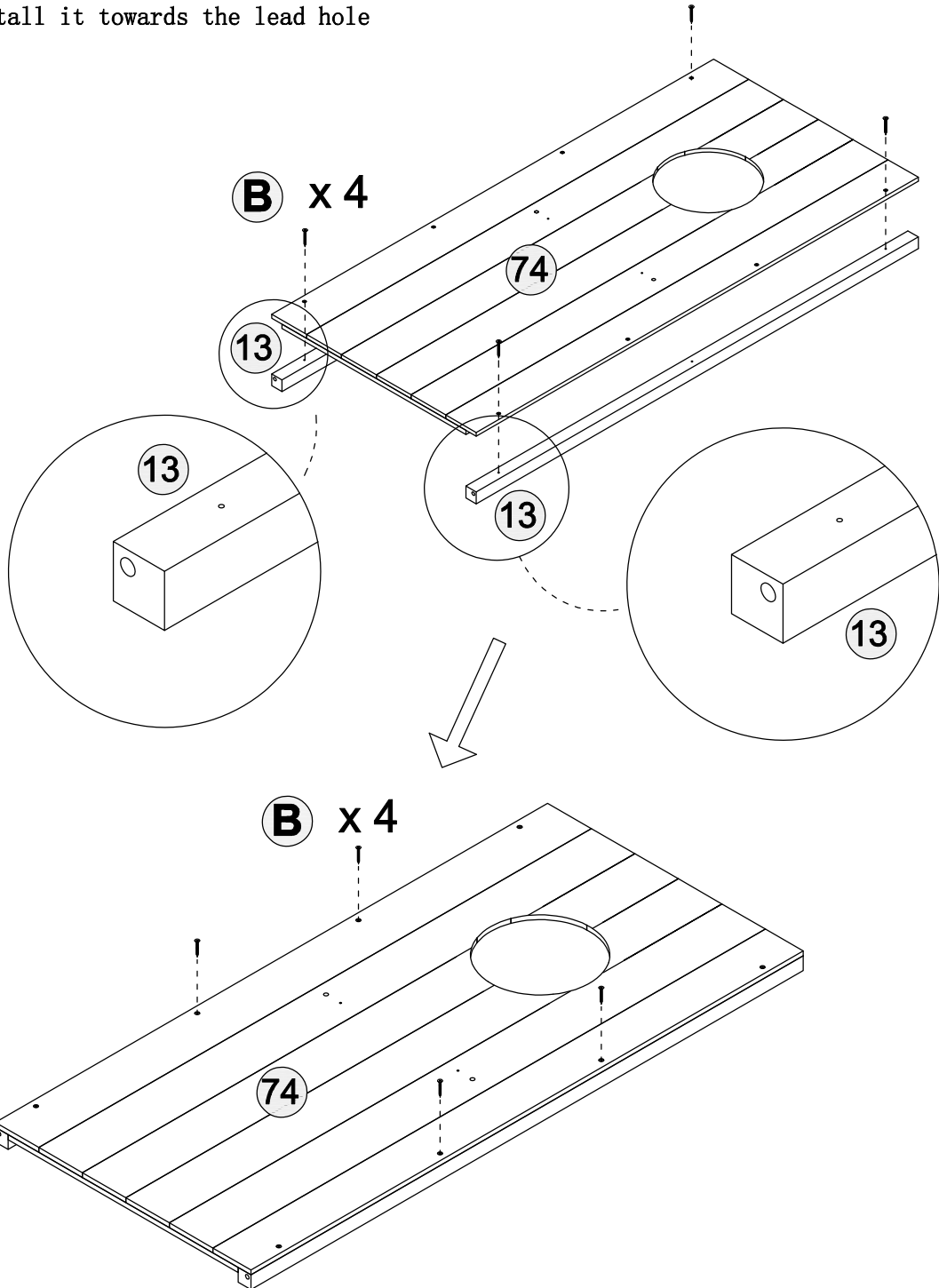
13
Bottom support strip
Qty: 2

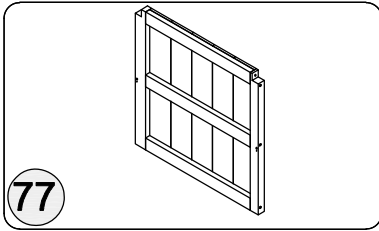
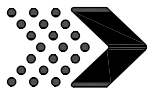


74
Bottom core board
Qty: 1



1. Use hardware B to pass through component 74 and install it towards the lead hole

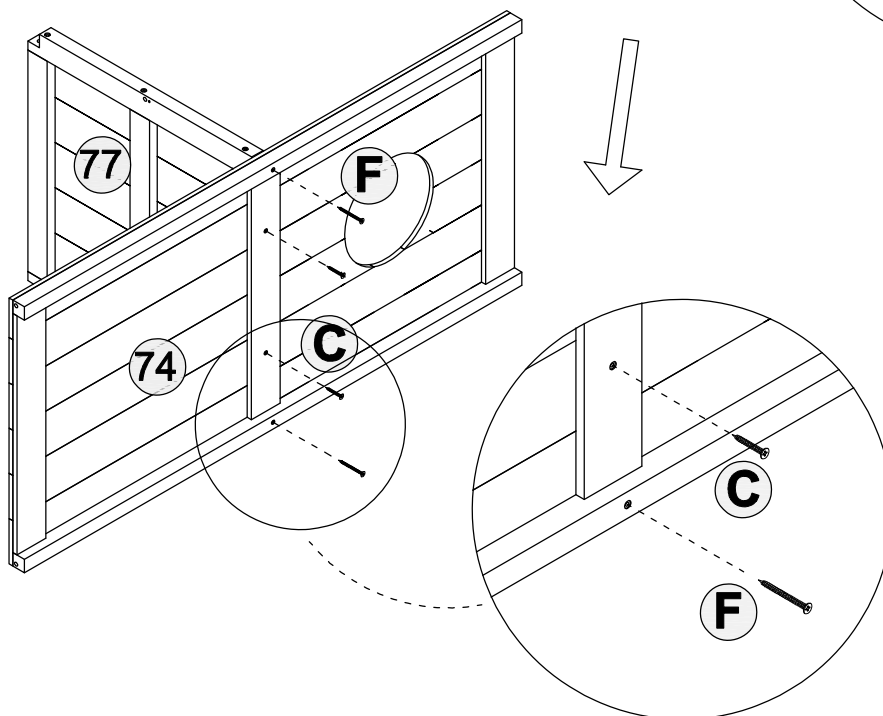
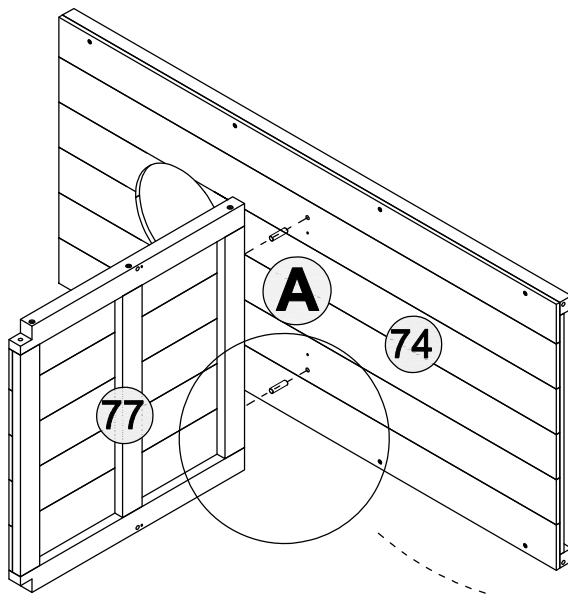
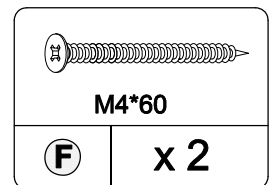
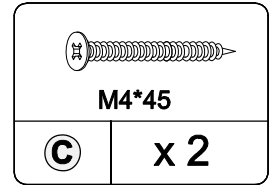
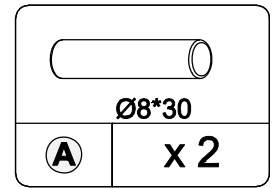


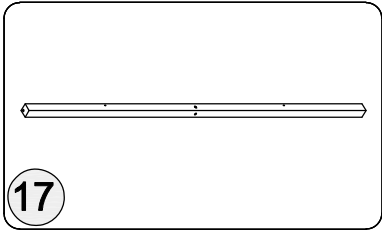


Middle side panel

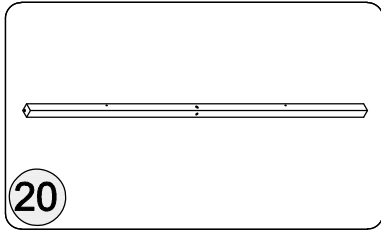
Qty: 1

1. Connect the components with hardware A
2. Pay attention to the positions of hardware C and F, and install them separately

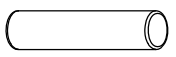




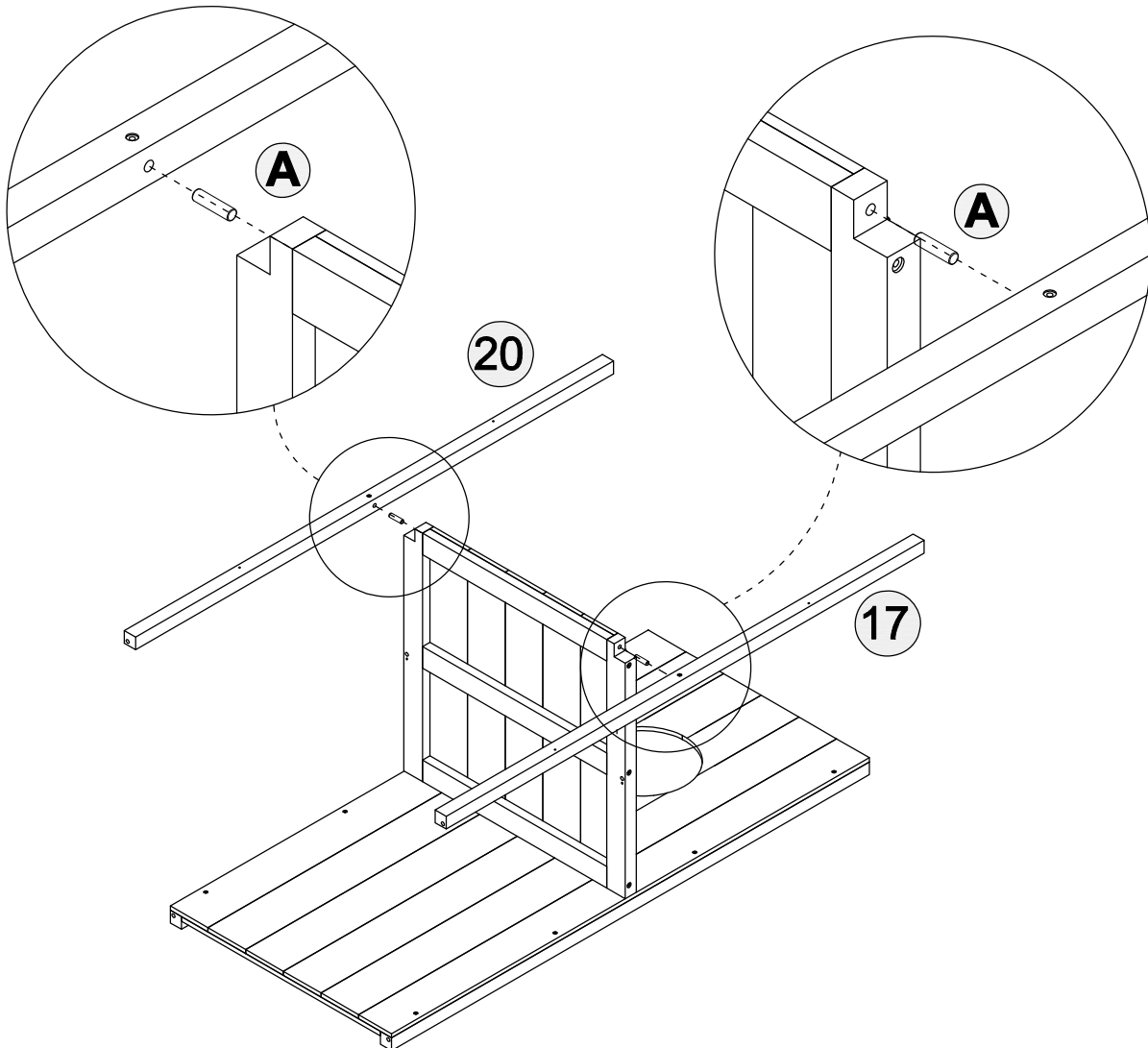
Front pull strips
Qty: 1

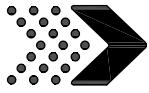


Rear pull strips
Qty: 1

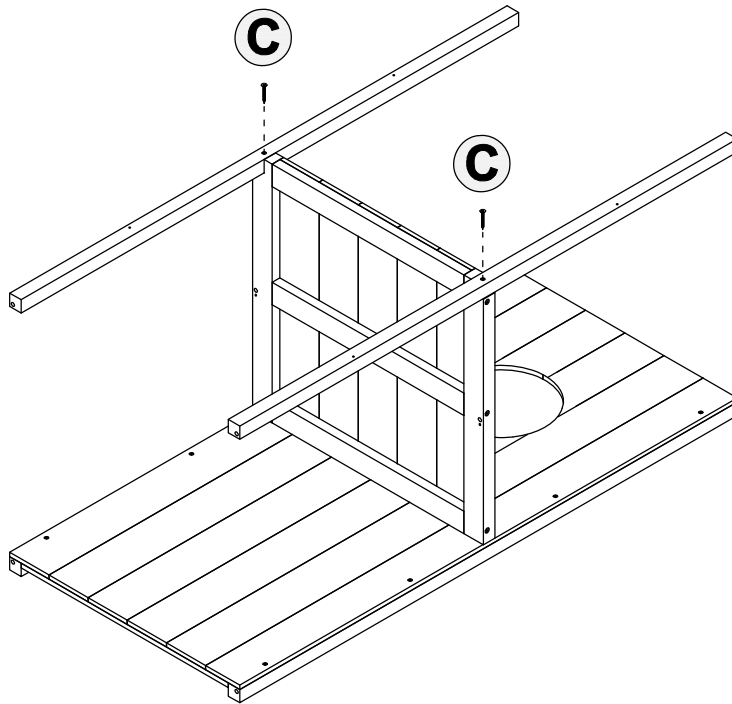
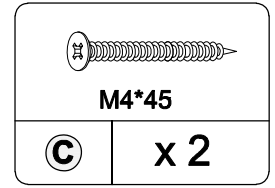
	
Ø8*30	
A	x 2

1. Connect the components with hardware A, ensuring the correct hole positions

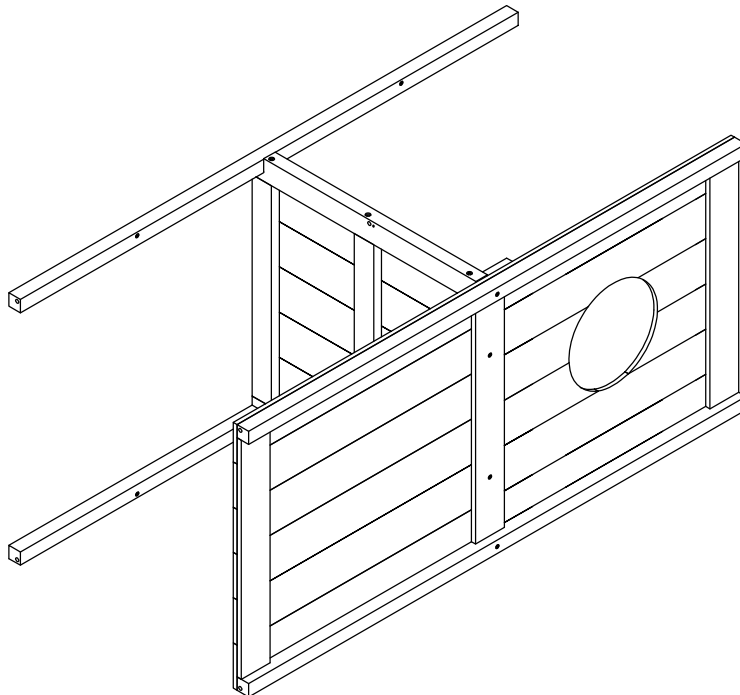


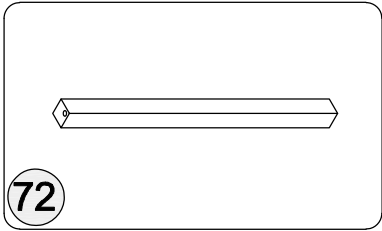


1. Install hardware C

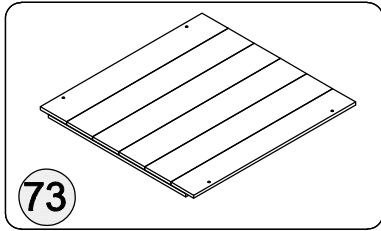


Arrange the cabinet according to the diagram






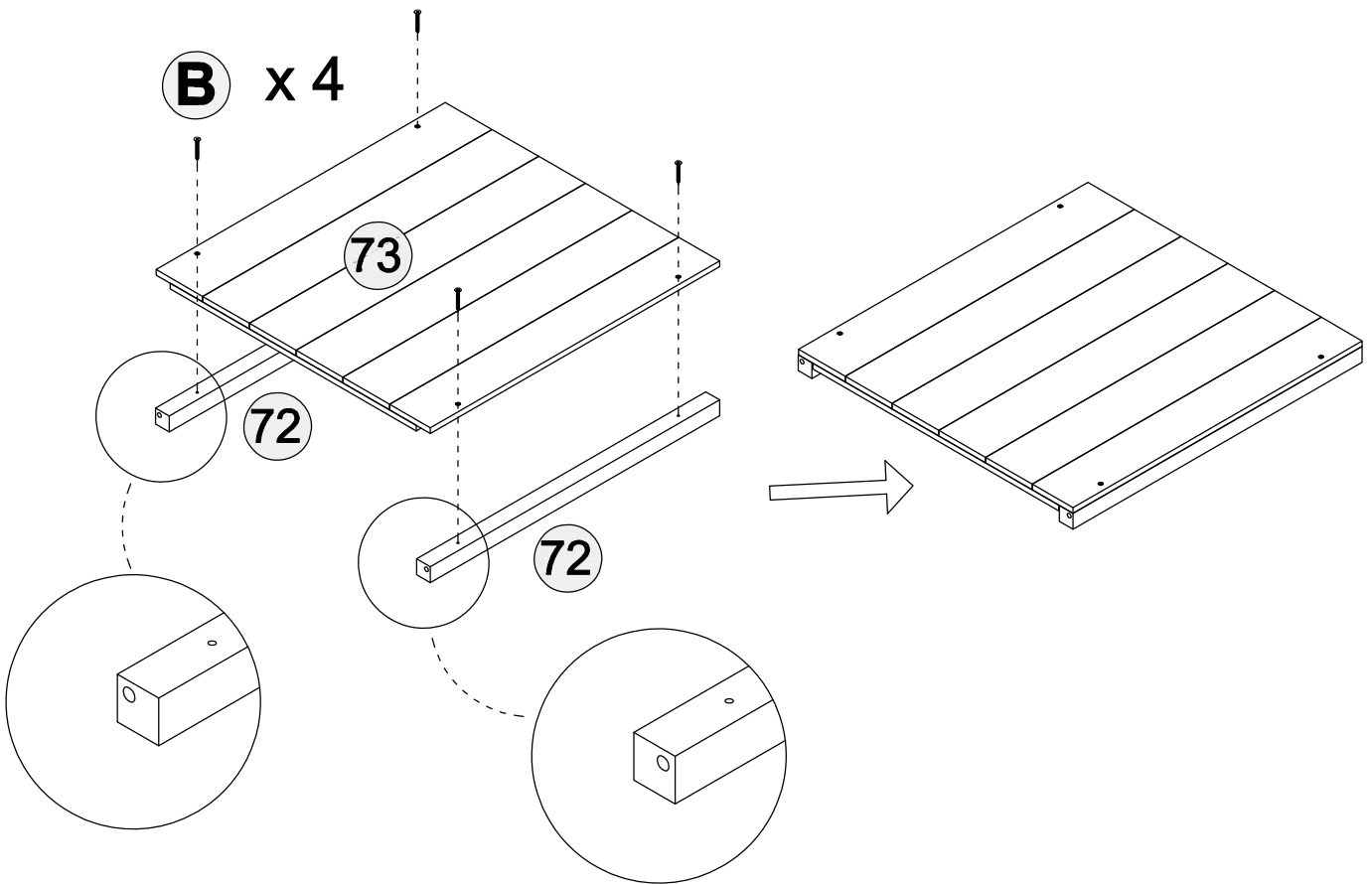
Layer shelf support strip
Qty: 2



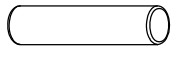
shelf board
Qty: 1


	
M4*25	
B	x 4

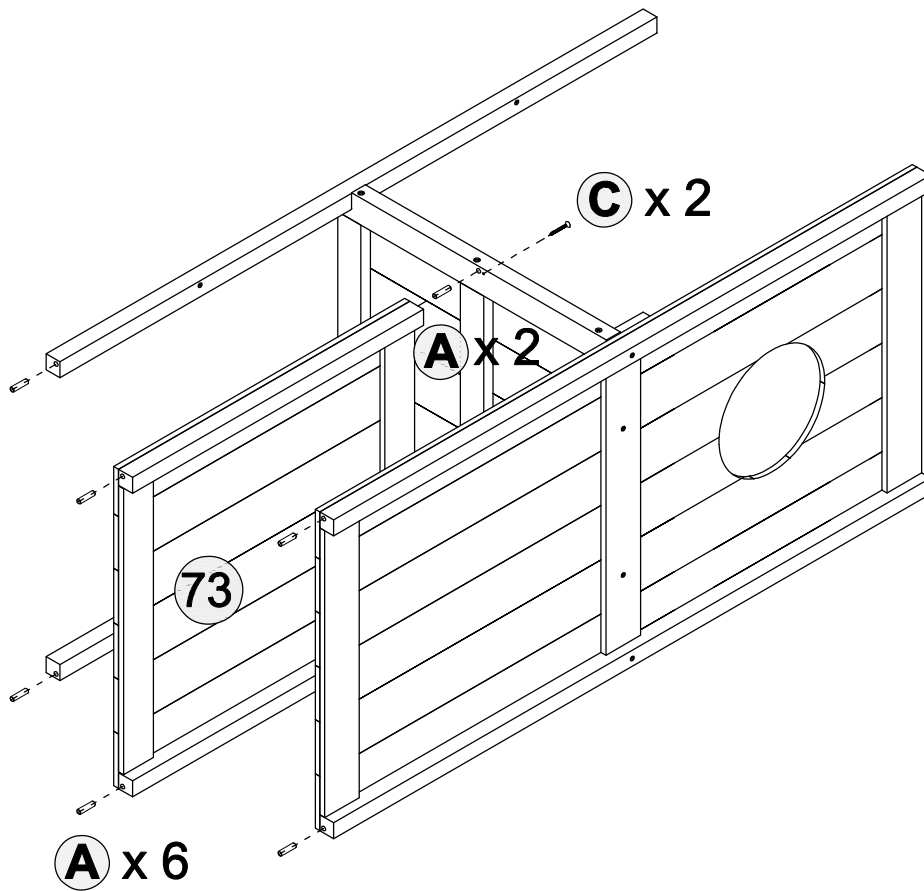
1. Use hardware B to pass through component 73 and install it towards the lead hole




1. Connect with hardware A first, then install with hardware C


	
Ø8*30	
A	x 8

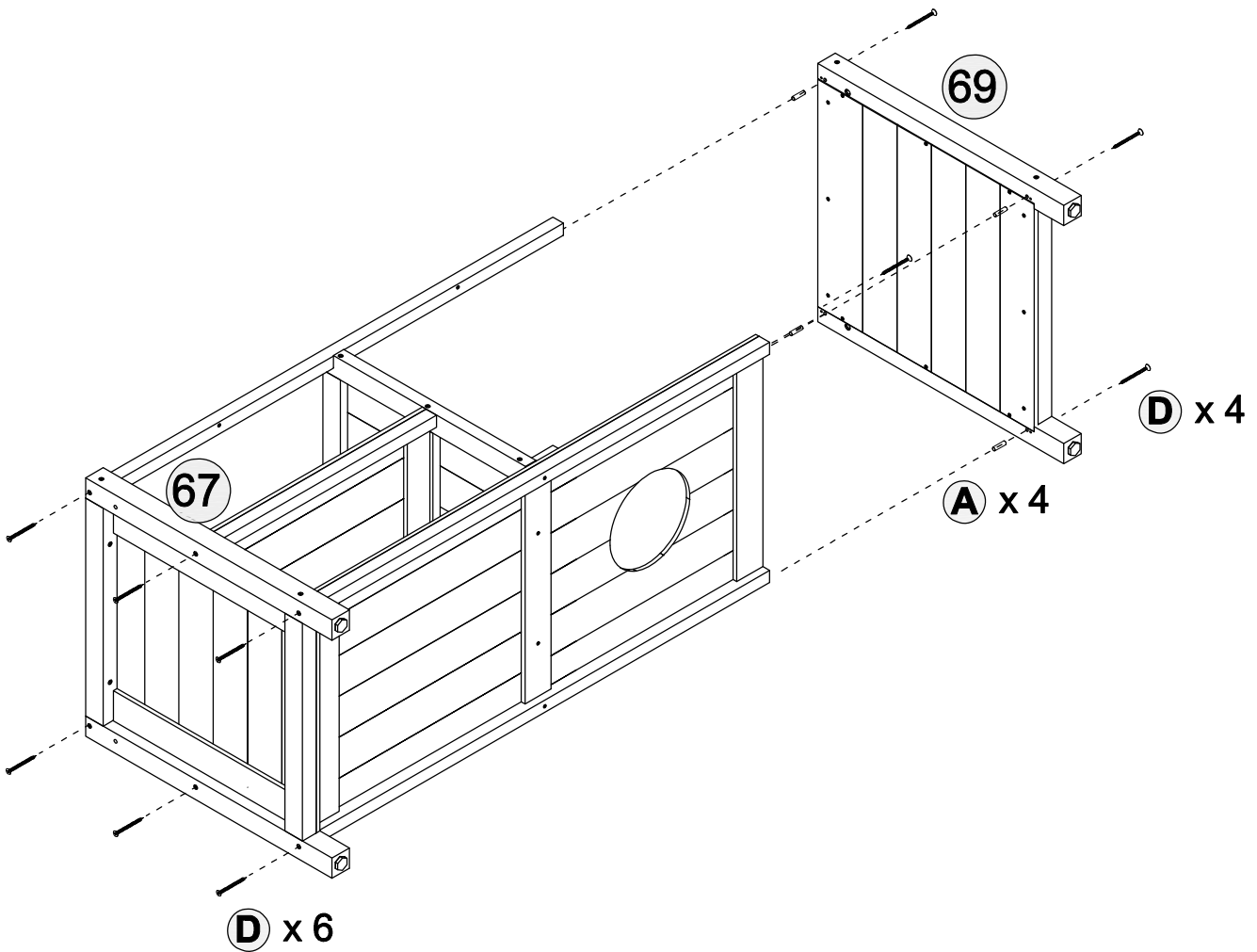
	
M4*45	
C	x 2

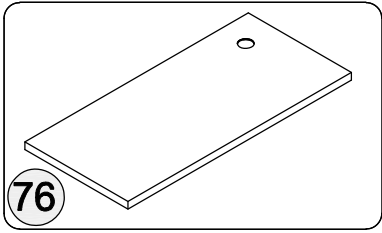


- 1. Install hardware D
- 2. Connect the right frame with hardware A

	
Ø8*30	
A	x 4

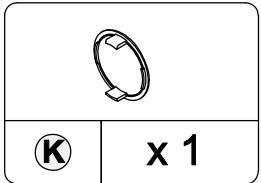
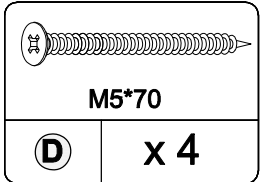
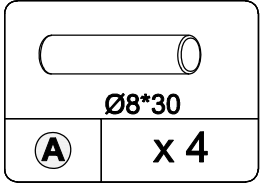
	
M5*70	
D	x 10



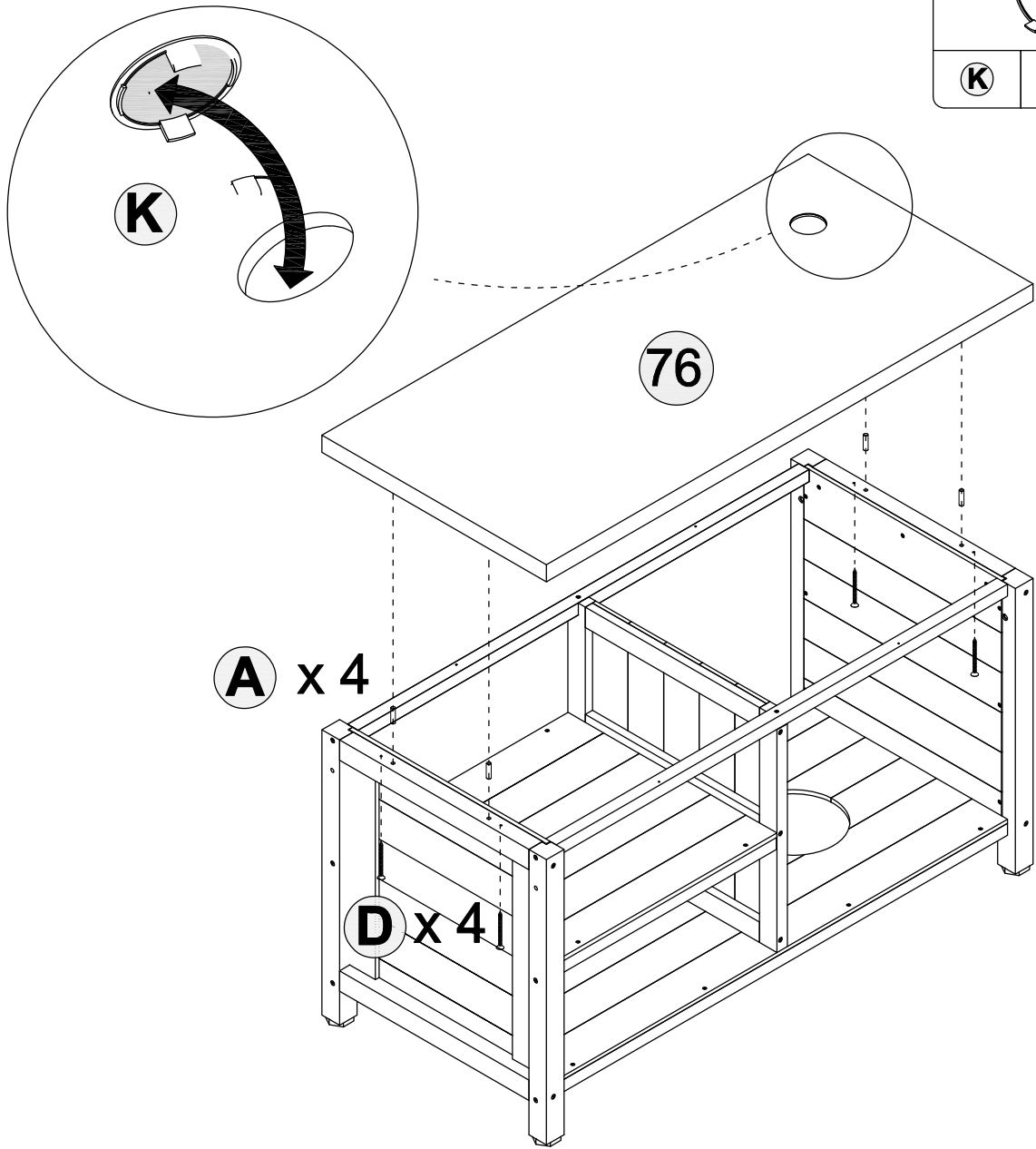



panel

Qty: 1

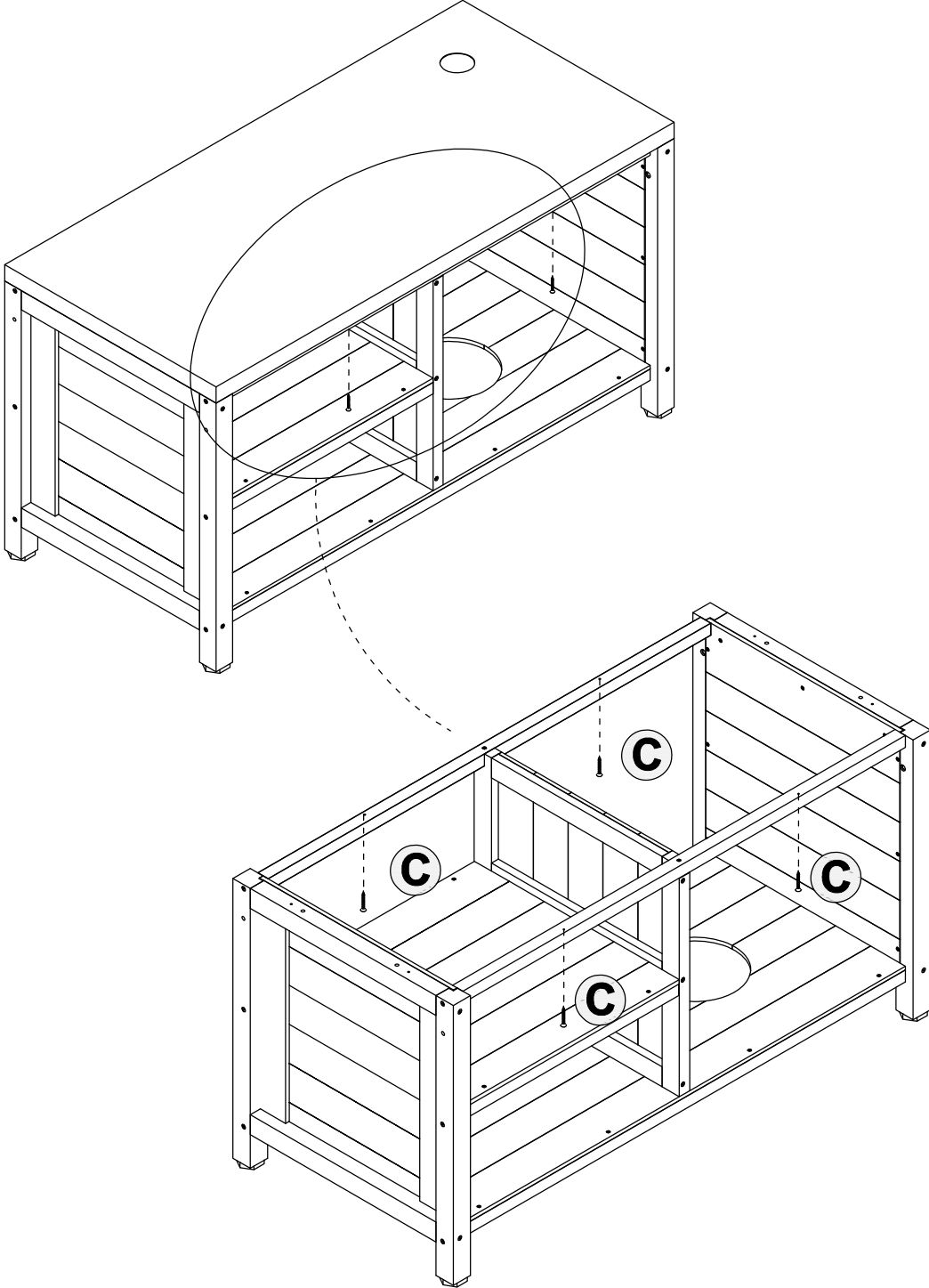


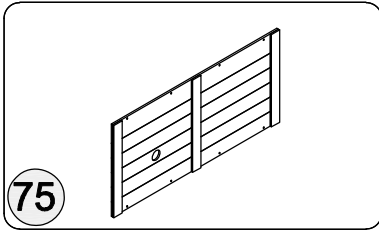
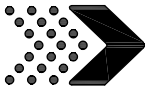
1. Connect with hardware A first, then install with hardware D



	
M4*45	
C	x 4

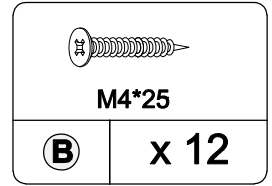
1. Install hardware C inside the cabinet



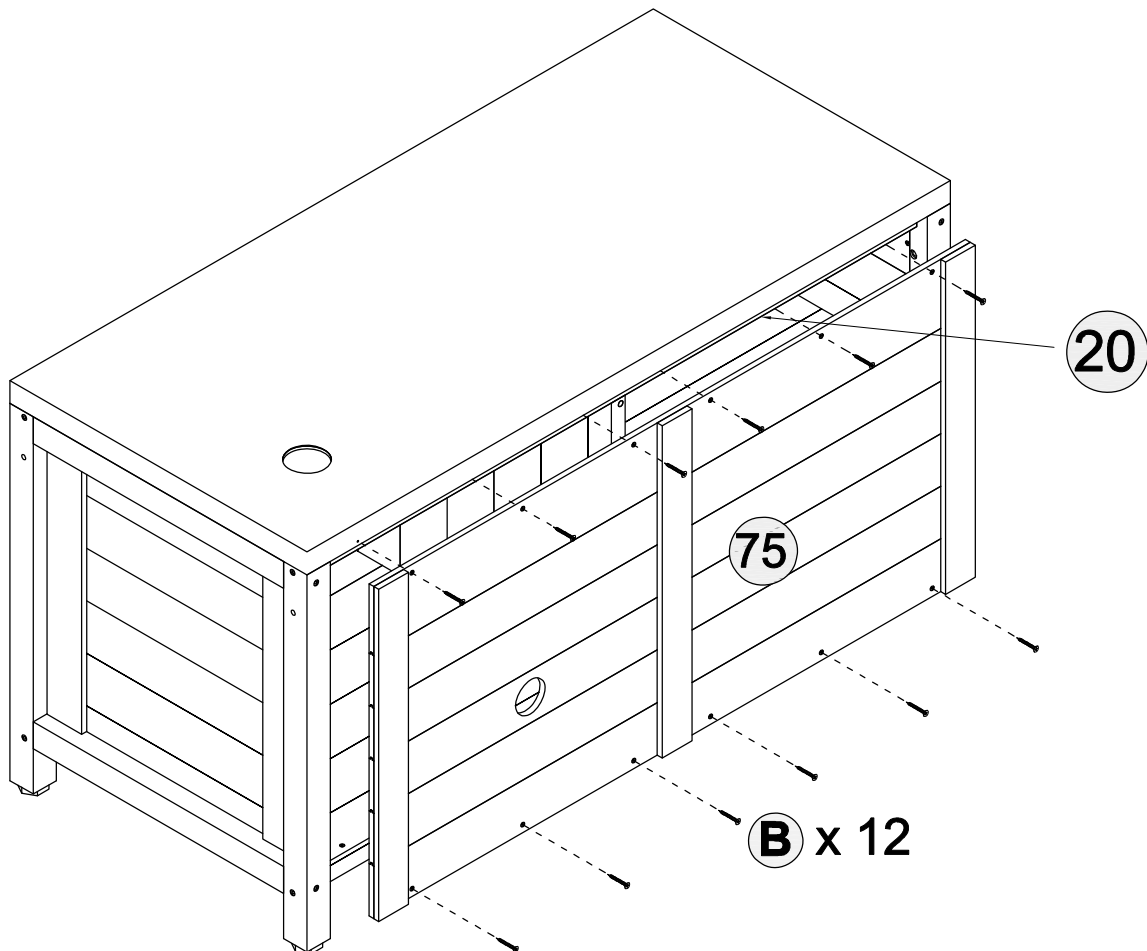


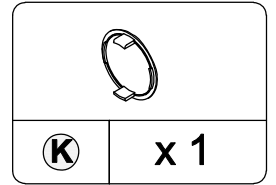
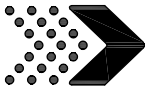
backplane

Qty: 1

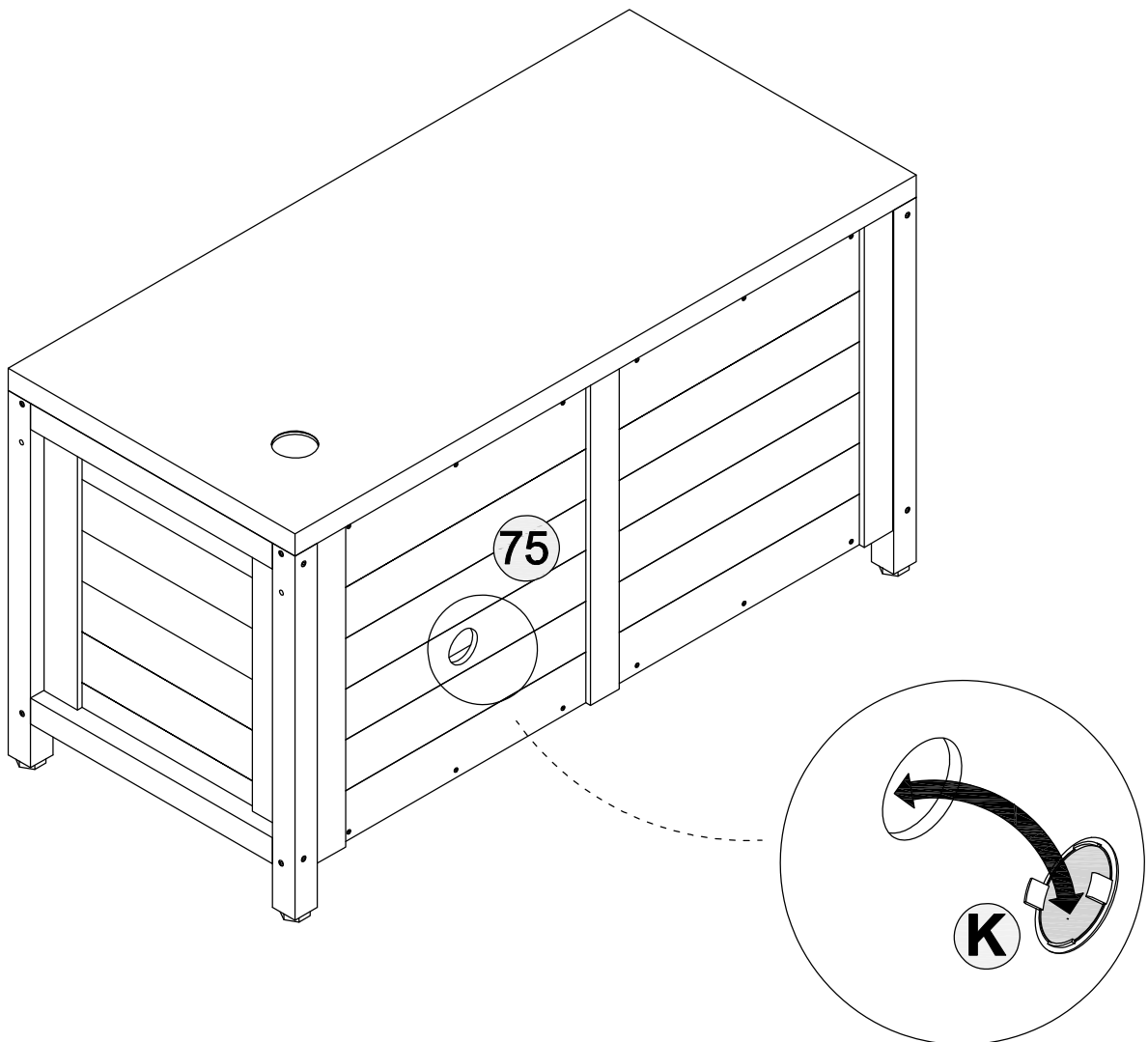


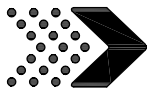
1. First, use hardware B to pass through components 75 and install them with their faces facing the lead holes
2. After aligning components 75, install the holes below with hardware B



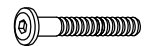


1. Install hardware K into the ventilation hole





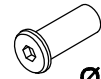
1, First, place hardware V into the hole and use tool S to connect hardware U with hardware V



M6*80



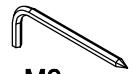
x 2



Ø8*M6*20



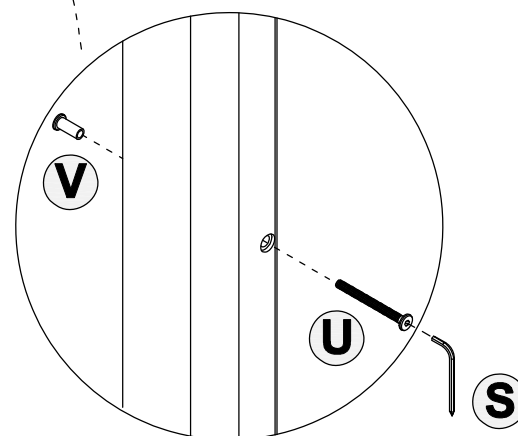
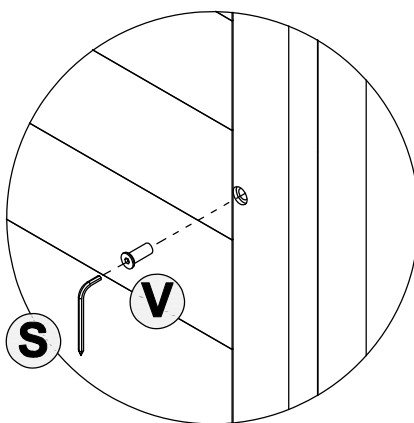
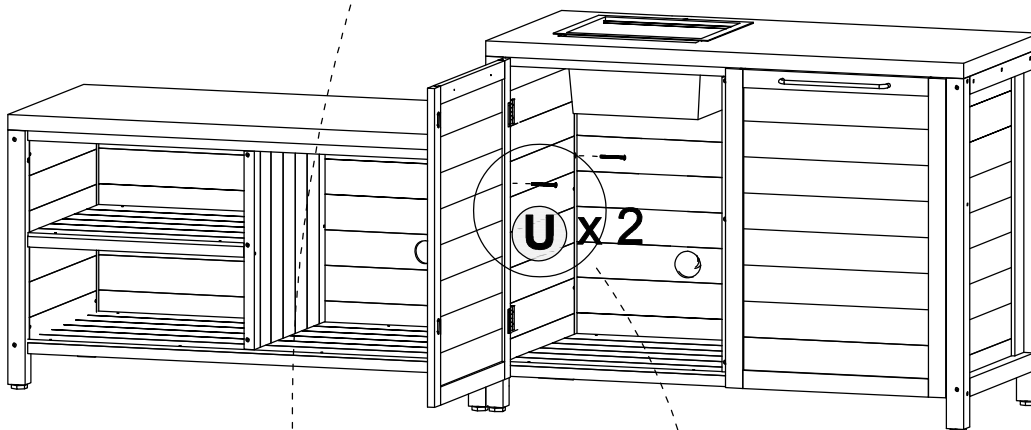
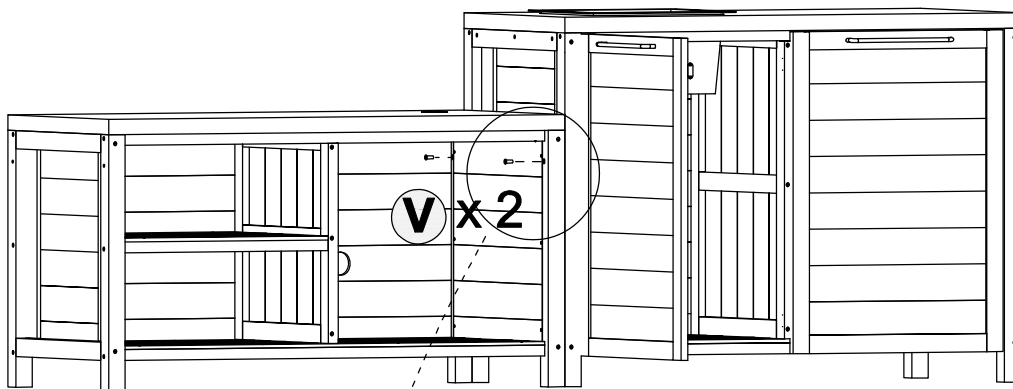
x 2



M6



x 2



WARRANTY

WARRANTY CLAIMS

- There is a 30-day warranty for broken furniture or any other problems that do not work properly. The warranty will start from the date of purchase which must be verified by proof of purchase.
- Before making a claim, we may be able to answer your query, simply call us. Please leave your purchase order number, along with some details of the problem, if you want a replacement part. We will arrange within 48 hours. If there is out of stock, we will reply with a shipping date.
- The product must be used in accordance with the instructions provided. For health reasons.
- For other reasons, if the furniture needs to be returned, it must be cleaned and dried and operated within 30 days of receipt.

Type of Warranty Claim

- Failure to follow the furniture instructions will invalidate the warranty. Attention please.
- Does not include damage during installation, but includes damage during transportation.

Scope of responsibility

- Shall not bear any responsibility for misuse or user damage and / or loss of parts during the installation of furniture.
- After using, the damage and scratches of the furniture are not covered by the warranty.

The Warranty Relates to All Bought in The Us and Covers The Following Areas

- Sheet parts: 1 month from the date of purchase.
- Electrical parts: 1 month from the date of purchase.

RETURNS

CHANGED YOUR MIND AND NEED TO RETURN YOU ITEM?

PLEASE FOLLOW THE BELOW INSTRUCTIONS:

- If you have purchased and have simply changed your mind, follow the retailer's instructions for returns.

DEFECTIVE ITEMS

- If your item is defective in any way, i.e. it doesn't work but you can't identify why, in the first instance, please call us.

DAMAGED ITEMS

- If you receive an order with obvious shipping damage from the retailer, then we suggest the delivery is refused. If the delivery has been accepted and then shipping damage is found, please follow the specific instructions advised by the retailer.
In all circumstances please save all packaging material and paperwork for the order. Please be aware that if you dispose of packaging material or attempt to return the merchandise without contacting the fulfiller, you jeopardise your chances of making a claim, and you may not receive a credit for the return.

AFTER-SALES CONTACT



adelahu@fufugaga.com



208-820-0068
208-820-0799