
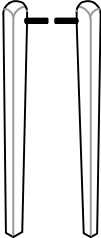

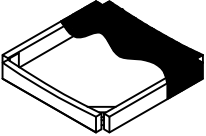
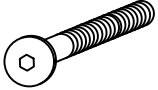
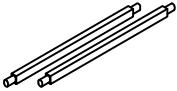






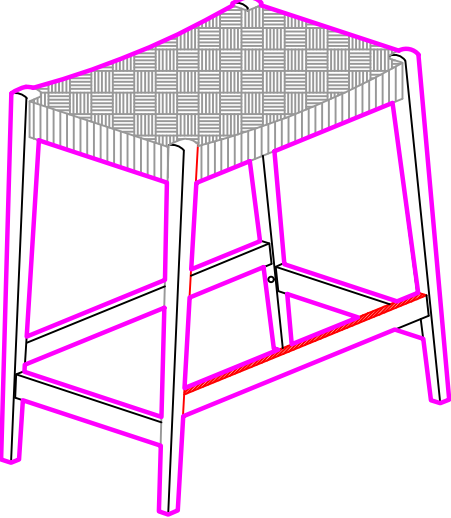



# ASSEMBLY INSTRUCTION

Name	Hardware	Qty.	Parts Name	Qty.
THREAD M10x70	① 	4	LEGS 	4
WASHER	② 	4	SEAT FRAME 	1
INSEX SCREW M6X55MM.	④ 	4	SIDE STRETCHER 	2
COLLAR (PLASTIC BLACK)	⑤ 	4	FRONT STRETCHER 	1
WOOD PLUG	⑥ 	4	BACK STRETCHER 	1
WOOD DOWEL Ø10X30MM.	⑦ 	4	<div style="border: 1px solid black; padding: 5px; display: inline-block;"> <input checked="" type="checkbox"/>  ALLEN KEY         </div> 	
WOOD DOWEL Ø10X25MM.	⑧ 	4		

