


# ASSEMBLY INSTRUCTION SERVER

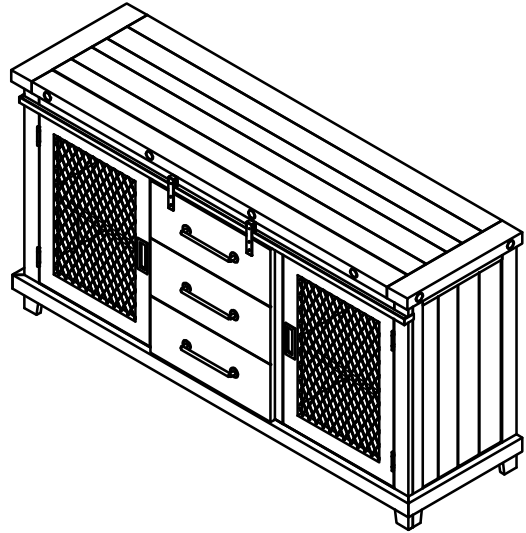
## IMPORTANT SAFETY CONSTRUCTION

Thank you for purchasing this quality product. Be sure to check all packing material carefully for small parts that may have come loose inside the carton during shipment. Please read all instruction carefully before assembling. For your safety, assembly by two people is recommended.

## PARTS INCLUDED:

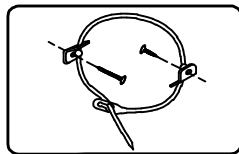
## HARDWARE ENCLOSED:

- (1) Anti-Tip Kit
- 1x  Ø4

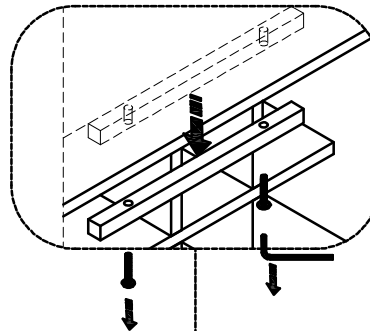


## ASSEMBLY INSTRUCTIONS

- Install the An-ti tipping kit to the wall for safety purposes (Detail A).

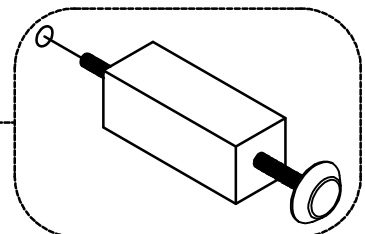
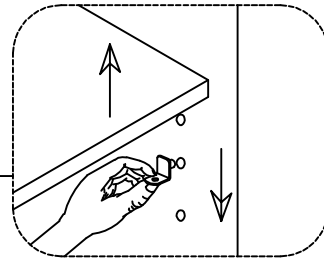
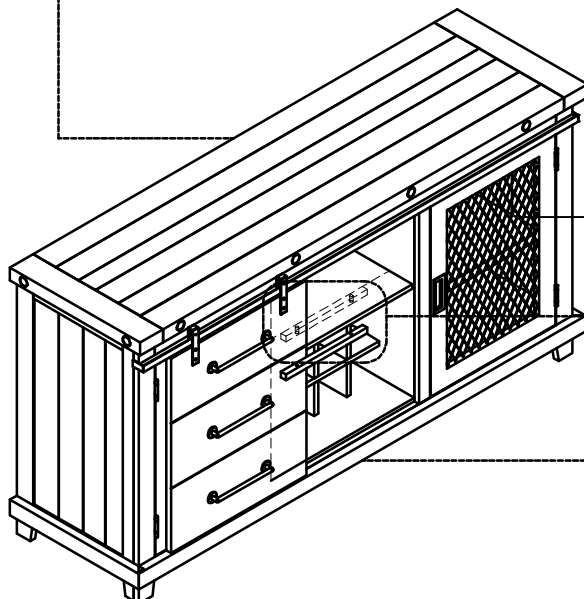


**DETAIL A:**



Wine rack can be removed out of place after removing the bolts as shown in illustration.

**DETAIL B:**



## NOTES:

The use of power tools for assembly is not recommended. Power tools can damage hardware or split wood.