

# Colony<sup>®</sup> Pro Pressure Balancing Bath and Shower Trim Kit

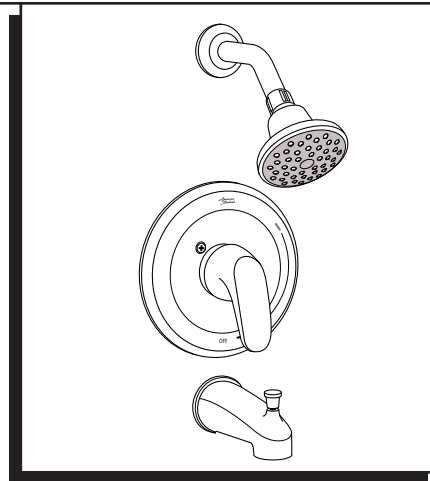
Thank you for selecting American Standard...  
the benchmark of fine quality for over 100 years.

To ensure that your installation proceeds smoothly-please  
read these instructions carefully before you begin.

For use with shower heads rated at 4.9 L/min (1.3 gpm) or higher.

## INSTALLATION INSTRUCTIONS

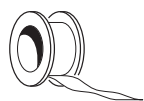
TU075500  
TU075507  
TU075508  
TU075507XH  
TU075508XH



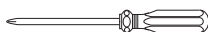
### RECOMMENDED TOOLS



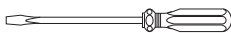
Plumbers' Putty  
or Caulking



Teflon Tape



Phillips Screwdriver



Flat Blade Screwdriver



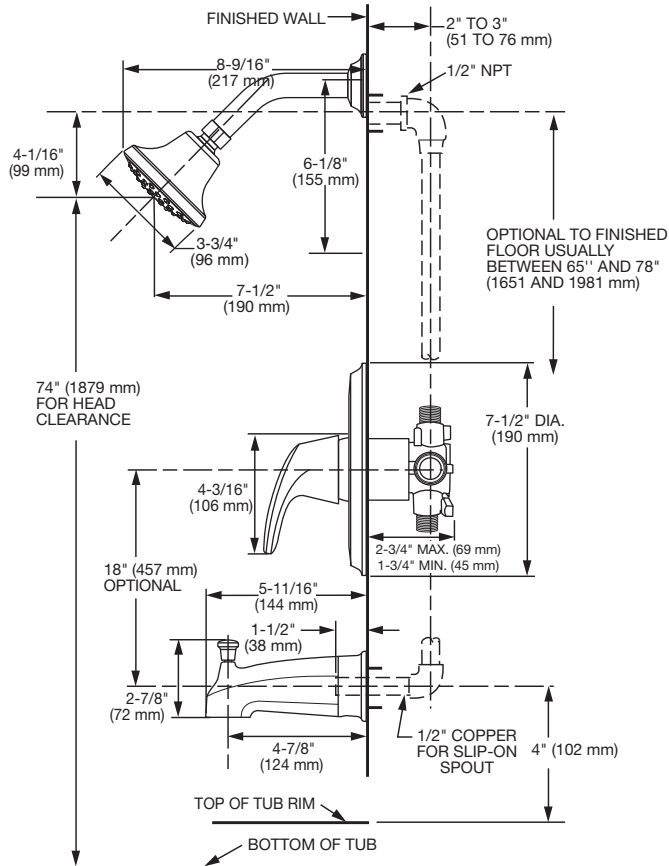
Adjustable Wrench



Channel Locks

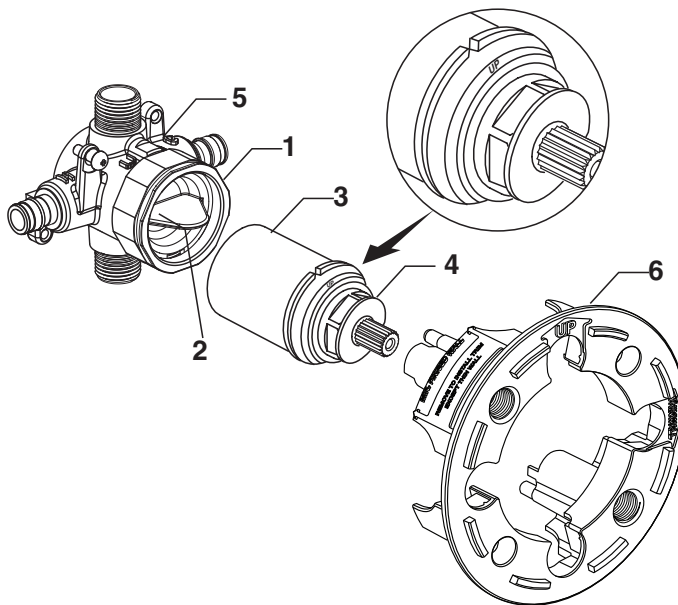
### ROUGHING-IN DIMENSIONS

- To assure proper positioning in relation to wall.  
Note roughing-in dimensions.



### 1 CARTRIDGE INSTALLATION

- Remove **PLASTER GUARD (6)**  
(Keep it installed for thin wall Installation).
- Remove **BONNET NUT (1)** by unthreading it  
Counter clockwise. Remove test **CAP (2)**.
- Remove **PROTECTIVE HOUSING (3)** from  
**CARTRIDGE (4)**. Install with "UP" text on top.
- Reinstall **BONNET NUT (1)** onto **VALVE BODY (5)**  
and tighten firmly with 12 Nm or 9 lbs/ft.



**NOTE:** Specified tightening torque  
of **BONNET NUT (1)** is critical to  
assure sealing function.

## 2 STANDARD WALL INSTALLATION

- **Figure 1.** Remove plaster guard from valve. Push CAP (1) over VALVE CARTRIDGE (2) until seated against stop.
- **Figure 2.** Push ESCUTCHEON (3) onto CAP (1) and attach to valve body with LONG SCREWS (4).

### THIN WALL INSTALLATION

- **Figure 1a.** Push CAP (1) over VALVE CARTRIDGE (2) until seated against stop.
- **Figure 2a.** Push ESCUTCHEON (3) onto CAP (1) and attach to valve body with LONG SCREWS (4).

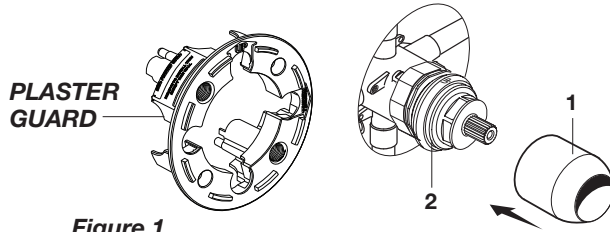


Figure 1.

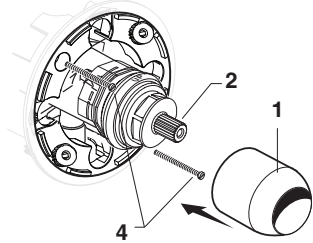


Figure 1a.

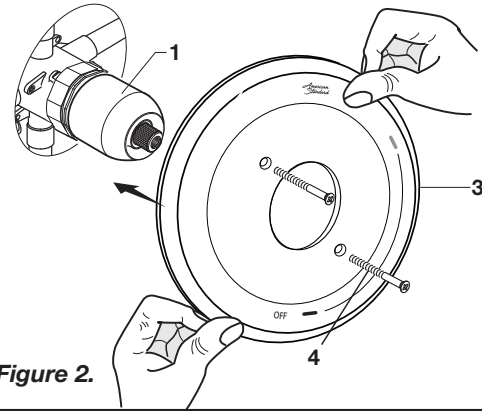


Figure 2.

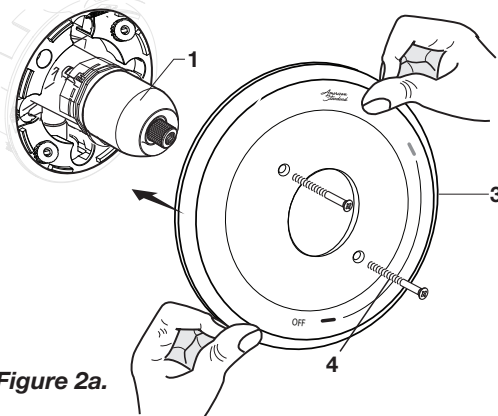
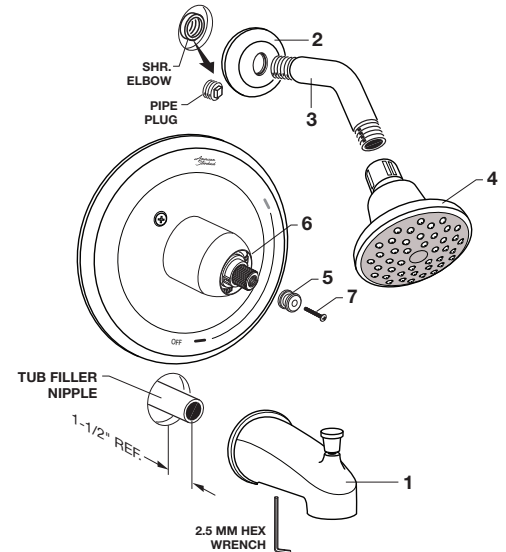


Figure 2a.

## 3 INSTALL TUB SPOUT, SHOWER HEAD, SHOWER ARM WITH FLANGE

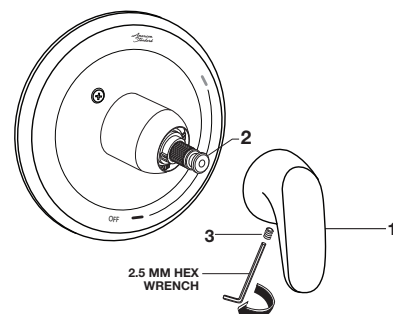
**CAUTION** Protect finish on SHOWER HEAD and TUB SPOUT when installing.

- Remove pipe cap and plug from shower and tub rough piping.
- Slip TUB SPOUT (1) onto tub nipple and tighten with 2.5 mm Hex Wrench. **CAUTION: Protect finish on TUB SPOUT when installing.**
- Install SHOWER ESCUTCHEON (2) onto SHOWER ARM (3). Apply sealant or Teflon tape to threads on both ends of SHOWER ARM (3) and thread longer leg of SHOWER ARM (3) into shower elbow.
- Thread SHOWER HEAD (4) onto SHOWER ARM (3).
- Thread ADAPTER (5) onto CARTRIDGE (6) and thread SCREW (7) on.



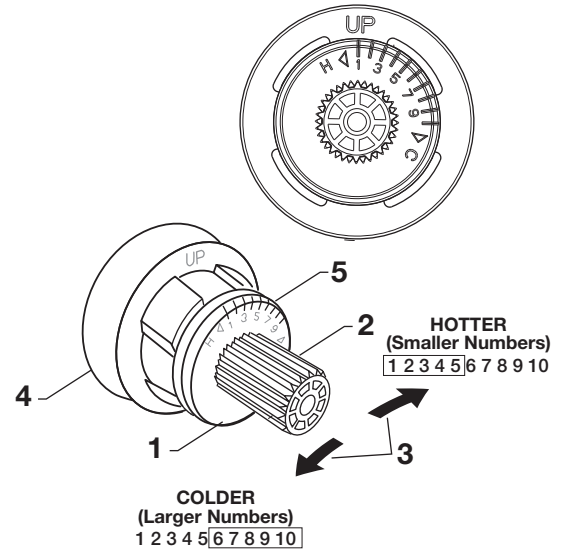
## 4 HANDLE INSTALLATION

- Install HANDLE (1) by pushing it onto CARTRIDGE STEM (2) and tightening SET SCREW (3) from below with 2.5 mm Hex Wrench supplied.



## 5 ADJUST HOT LIMIT STOP

- By restricting HANDLE rotation and limiting the amount of hot water allowed to mix with the cold, the HOT LIMIT SAFETY STOP (1) reduces risk of accidental scalding. To set the maximum hot water temperature of your faucet valve, adjust the setting on the HOT LIMIT SAFETY STOP (1).
- Turn CARTRIDGE STEM (2) to the OFF position (coldest setting) before making adjustment to HOT LIMIT STOP (1). Pull forward and rotate counterclockwise one number to limit hot water temperature. Use NUMBERS (5) on CARTRIDGE (4) on HOT LIMIT STOP (1) for indication.



## 6 SERVICE

### TO GAIN ACCESS TO VALVE FOR SERVICING

**CAUTION** Turn off hot and cold water supplies before beginning.

- Remove HANDLE (see step 3 and reverse).
- Remove ESCUTCHEON and CARTRIDGE CAP (see step 1 and reverse).

### VALVE LEAKS WHEN SHUT OFF

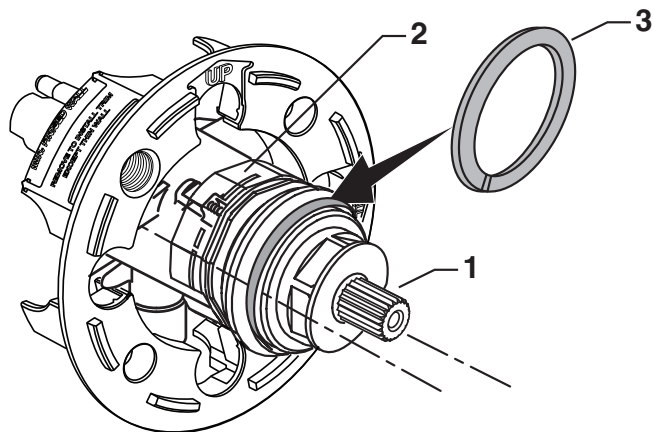
- Remove CARTRIDGE, see STEP 1 and STEP 2 and REVERSE process.
- Clean SEALS on the side of CARTRIDGE. Clean inside sealing surface of VALVE BODY.
- Re-assemble CARTRIDGE. Install trim. Turn on water supply and check for leaks.

### REPLACING CARTRIDGE

- To remove CARTRIDGE (1), install split WASHER (3) between the ridge on the cartridge and the bonnet nut (only supplied with replacement cartridge) as shown.
- Proceed to unthread BONNET NUT (2) counter clockwise.  
**Note:** CARTRIDGE (1) should be pulling out while unthreading BONNET NUT (2).
- Upon removal of the old Cartridge, install a new cartridge and secure it with BONNET NUT (Hand tighten).

### BACK TO BACK INSTALLATION

- **NOTE:** Must purchase specialized back to back cartridge. (Part number M970640-0070A)
- Remove CARTRIDGE (1) as detailed in steps above.
- Install back to back cartridge.



## 7 CARE INSTRUCTIONS:

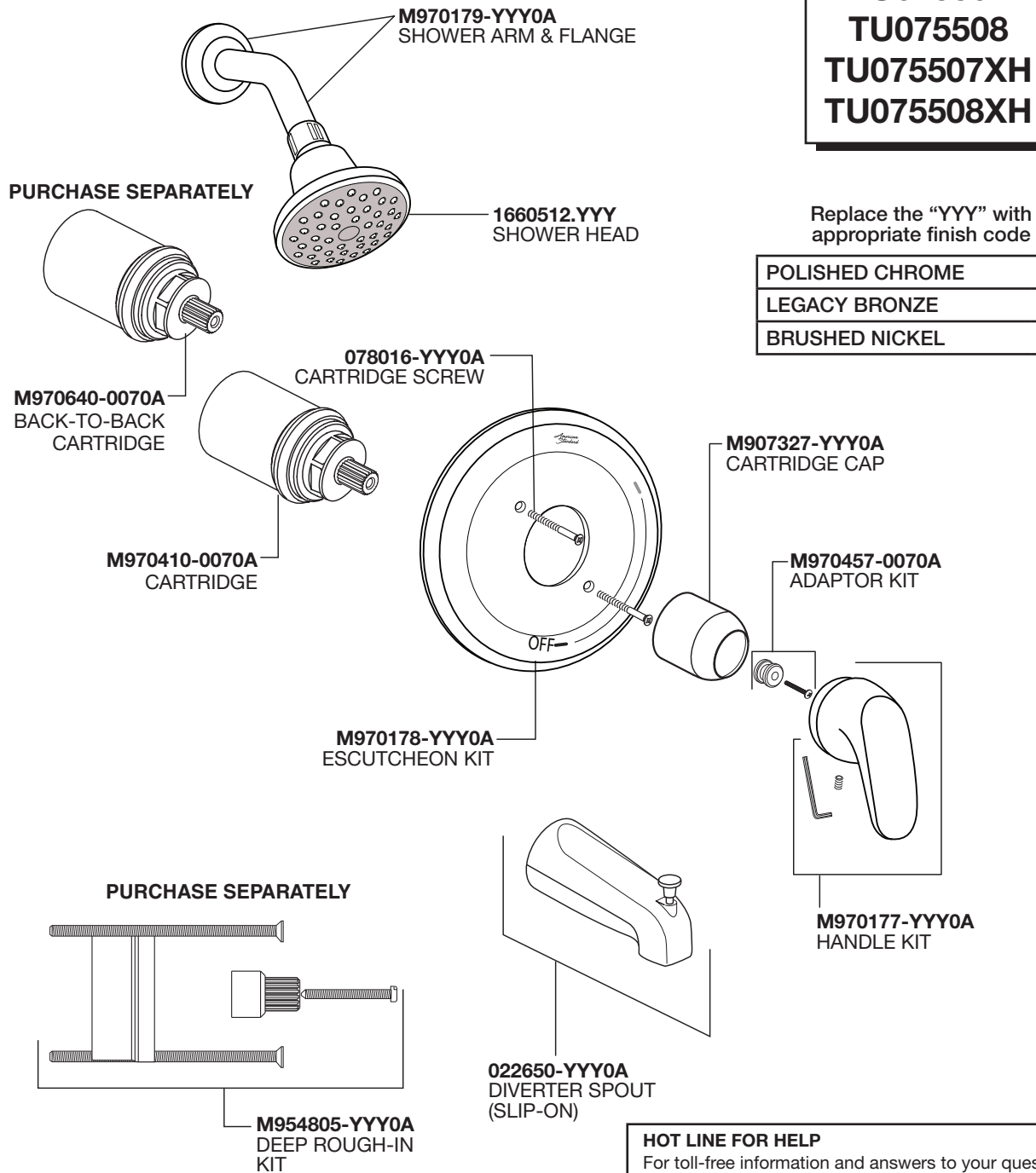
- DO: SIMPLY RINSE THE PRODUCT CLEAN WITH CLEAR WATER. DRY WITH A SOFT COTTON FLANNEL CLOTH.**
- DO NOT: DO NOT CLEAN THE PRODUCT WITH SOAPS, ACID, POLISH, ABRASIVES, HARSH CLEANERS, OR A CLOTH WITH A COARSE SURFACE.**

# American Standard

## Colony® Pro Pressure Balancing Bath and Shower Trim Kit

MODEL NUMBER

**TU075500**  
**TU075507**  
**TU075508**  
**TU075507XH**  
**TU075508XH**



Replace the "YYY" with appropriate finish code

POLISHED CHROME	002
LEGACY BRONZE	278
BRUSHED NICKEL	295

PART OF **LIXIL**

### HOT LINE FOR HELP

For toll-free information and answers to your questions, call:  
1 (800) 442-1902

Mon. - Fri. 8:00 a.m. to 8:00 p.m. EST  
Saturday 10:00 a.m. to 4:00 p.m. EST

IN CANADA 1-800-387-0369  
(TORONTO 1-905-306-1093)

Weekdays 8:00 a.m. to 7:00 p.m. EST

IN MEXICO 01-800-839-1200

