

## MODULAR BOOK SHELVES

### ASSEMBLY INSTRUCTION



**ASSEMBLY INSTRUCTION**

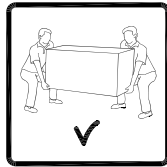
**ASSEMBLY TIPS :**

- 1.Remove hardware from box and sort by size.
- 2.Please check to see that all hardware and parts are present prior to start of assembly.
- 3.Please follow attached instructions in the same sequence as numbered to assure fast & easy assembly.



**Warning !**

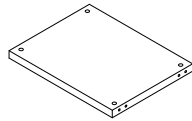
- 1.Don't attempt to repair or modify parts that are broken or defective.Please contact the store immediately.
- 2.This product is for home use only and not intended for commercial establishment.



**ASSEMBLY TIME PER UNIT: 40 MINUTES**

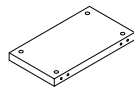
**PARTS IDENTIFICATION:**

(A) LEFT SIDE PANEL



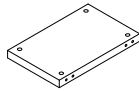
2PCS

(B) RIGHT SIDE PANEL



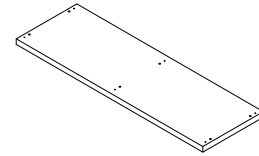
4PCS

(C) MIDDLE DIVIDER PANEL



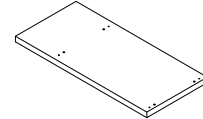
2PCS

(D) BOTTOM PANEL



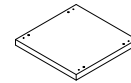
2PCS

(E) SHELF



2PCS

(F) TOP PANEL

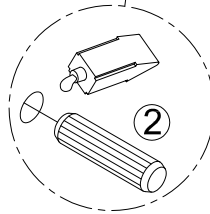
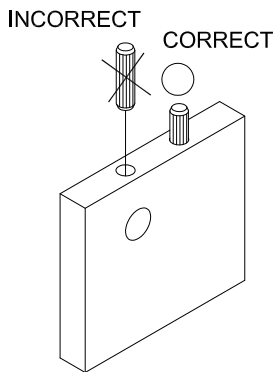
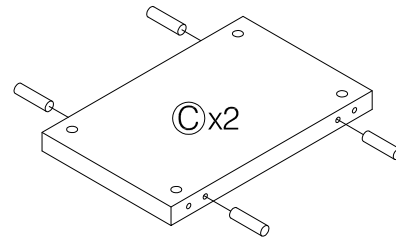
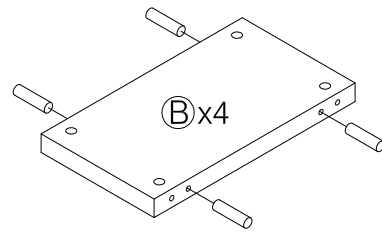
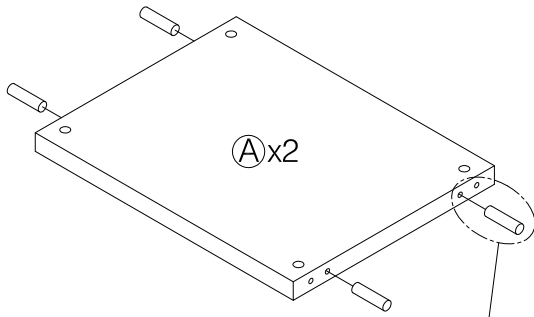
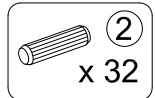


2PCS

Z HARDWARE PACKAGE							
NO	DESCRIPTION	FIGURE	Q'TY	NO	DESCRIPTION	FIGURE	Q'TY
1	GLUE 40g		1PC	4	CAM LOCK $\phi$ 15x12mm		32PCS
2	WOODEN DOWEL $\phi$ 8x30mm		32PCS	5	STICKER $\phi$ 20mm		6PCS
3	CAM BOLT $\phi$ 7x35.5mm		32PCS				

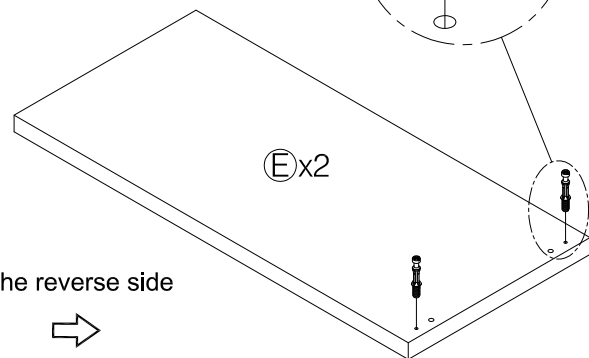
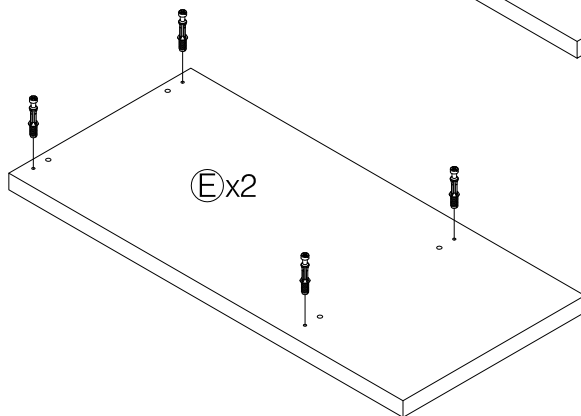
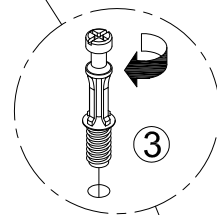
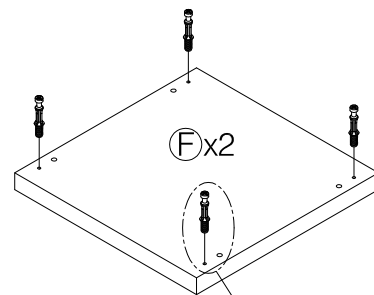
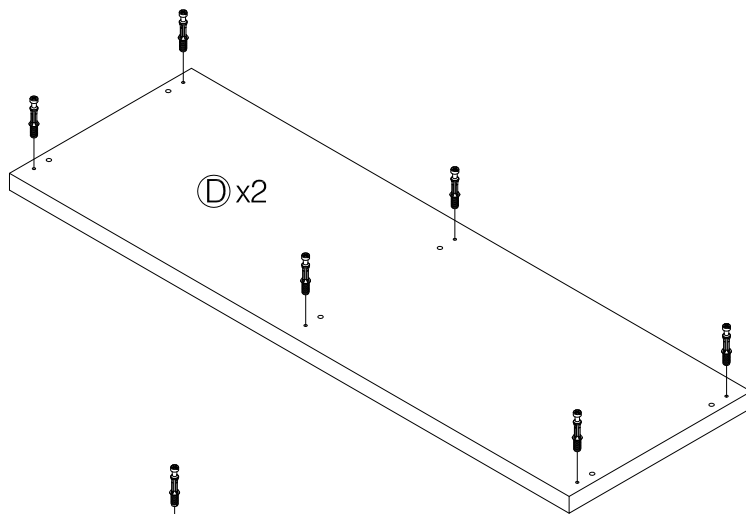
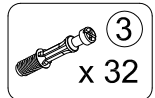
Z HARDWARE PACKAGE							
NO	DESCRIPTION	FIGURE	Q'TY	NO	DESCRIPTION	FIGURE	Q'TY
6	ANTI-TIP STRAP 170x15mm		2PCS	8	WALL SCREW $\phi$ 4x25mm		2PCS
7	WALL PLUG 6x30mm		2PCS	9	SCREW $\phi$ 4x16mm		2PCS

STEP 1 :



Apply glue on all wooden dowels to ensure integrity of the structure.

STEP 2 :

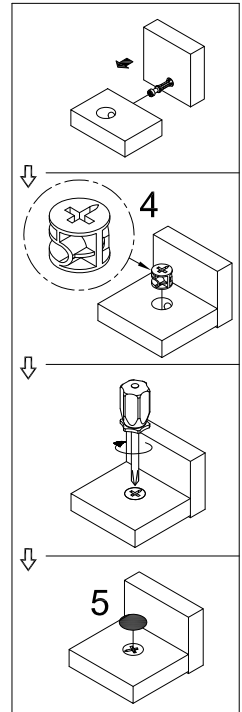
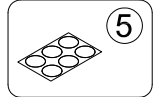
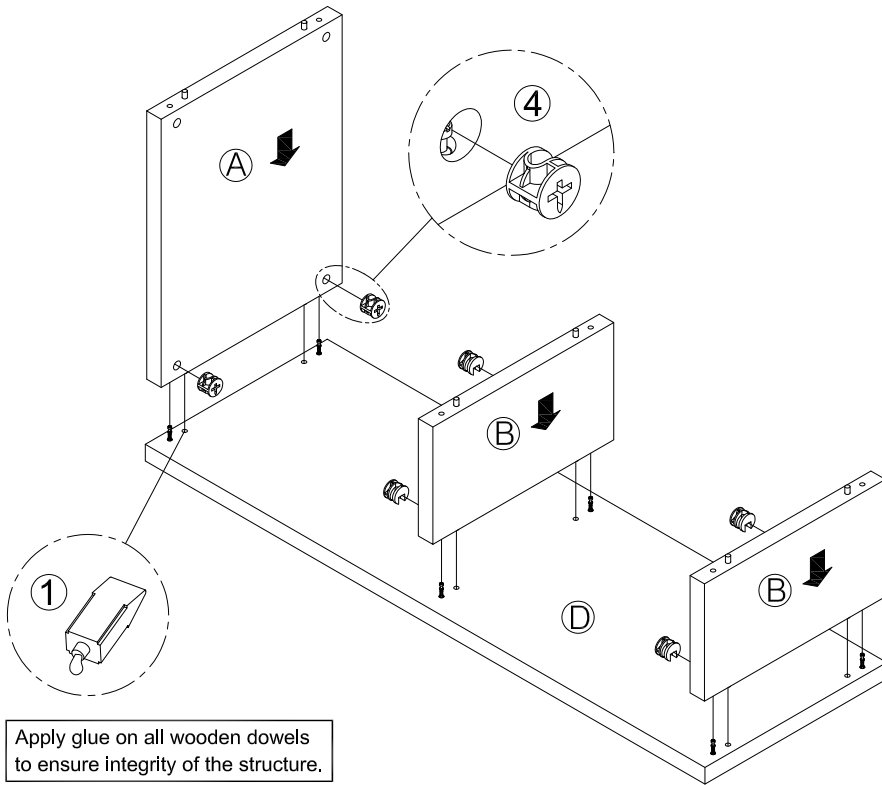


the reverse side

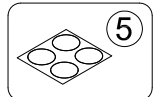
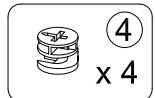
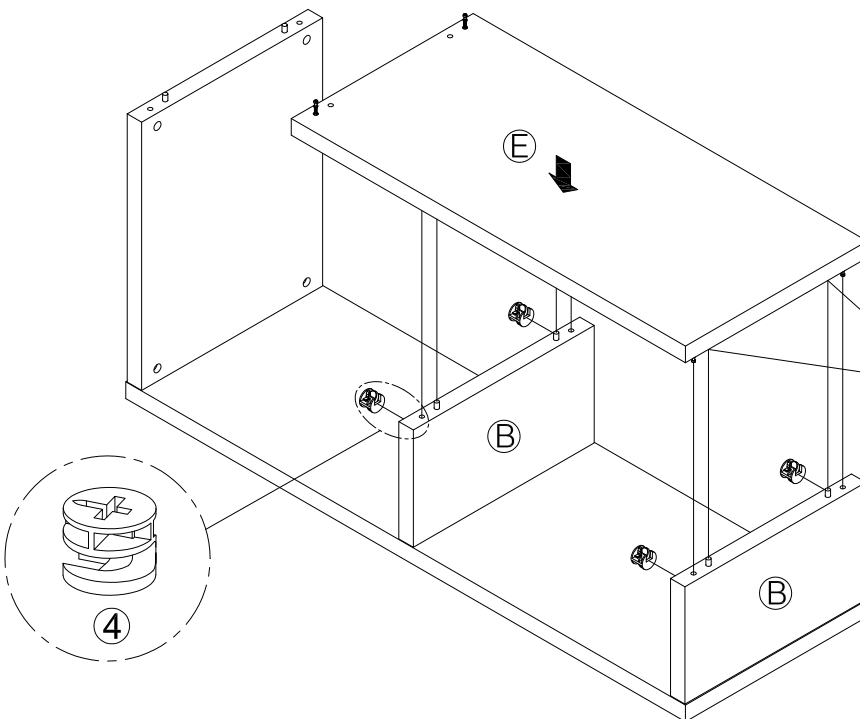


# ASSEMBLY INSTRUCTION

## STEP 3 :

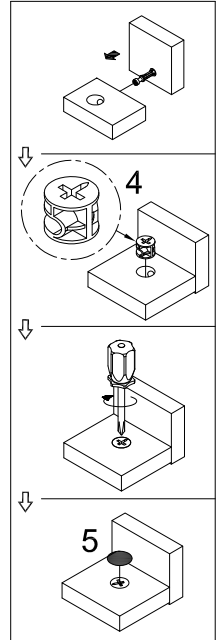
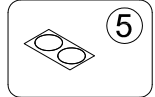
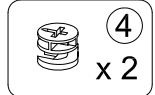
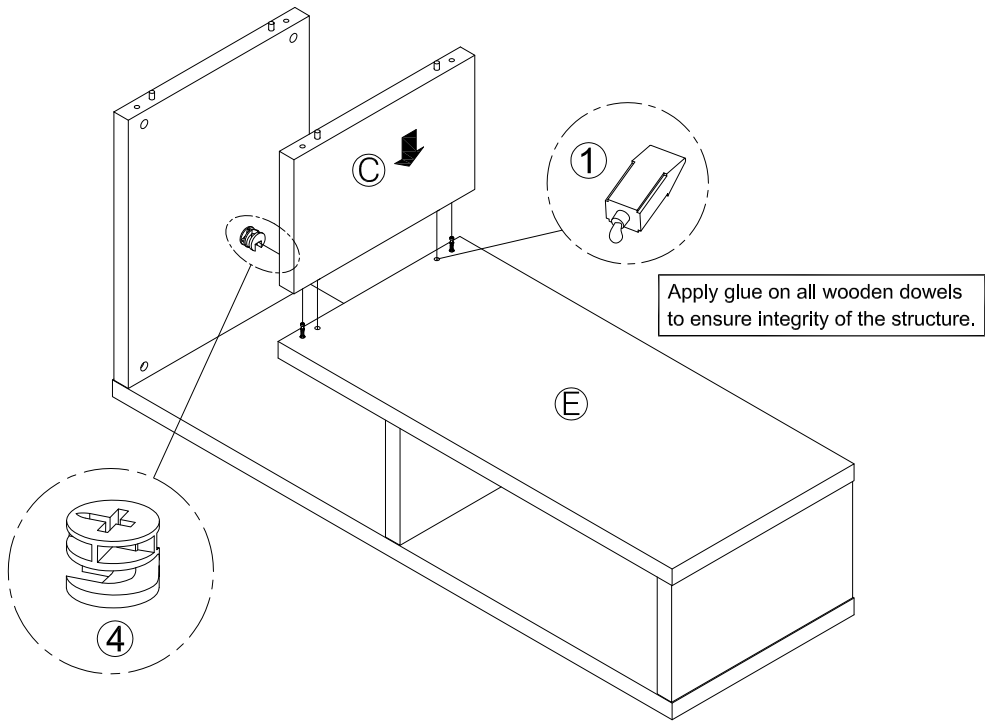


## STEP 4 :

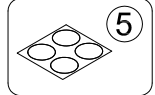
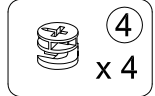
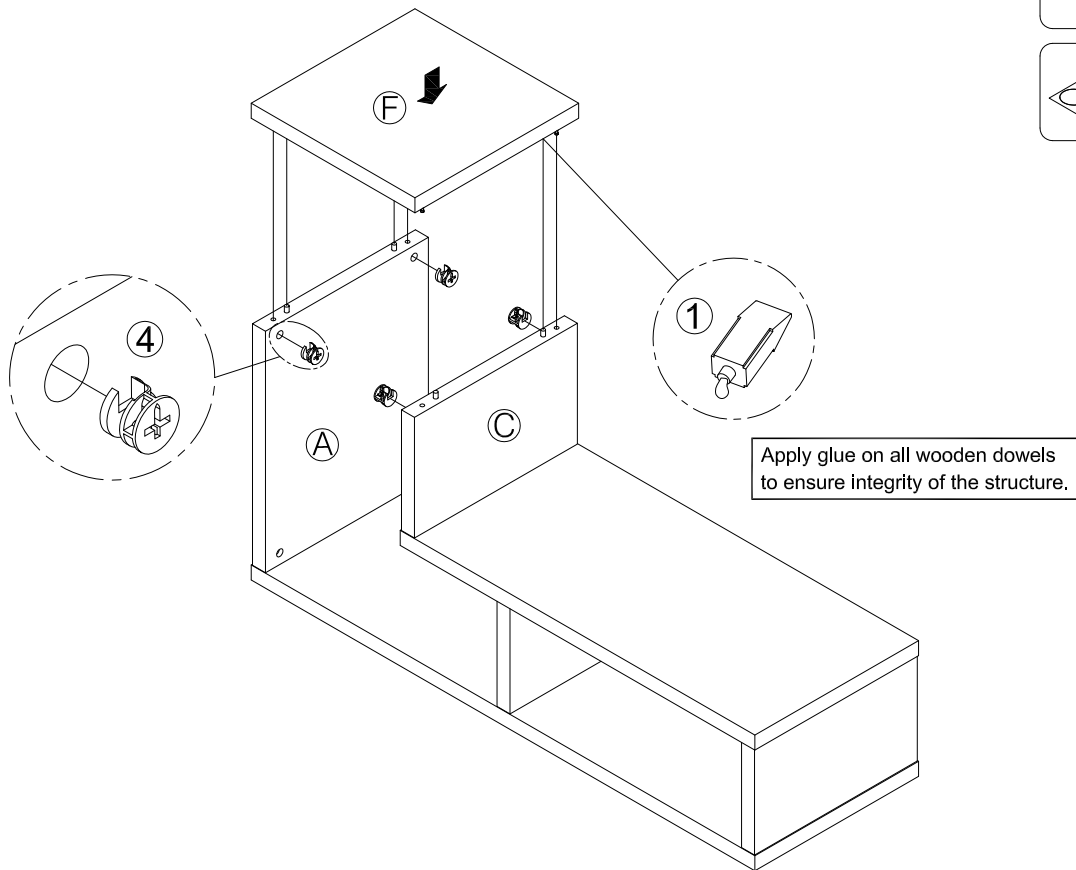


# ASSEMBLY INSTRUCTION

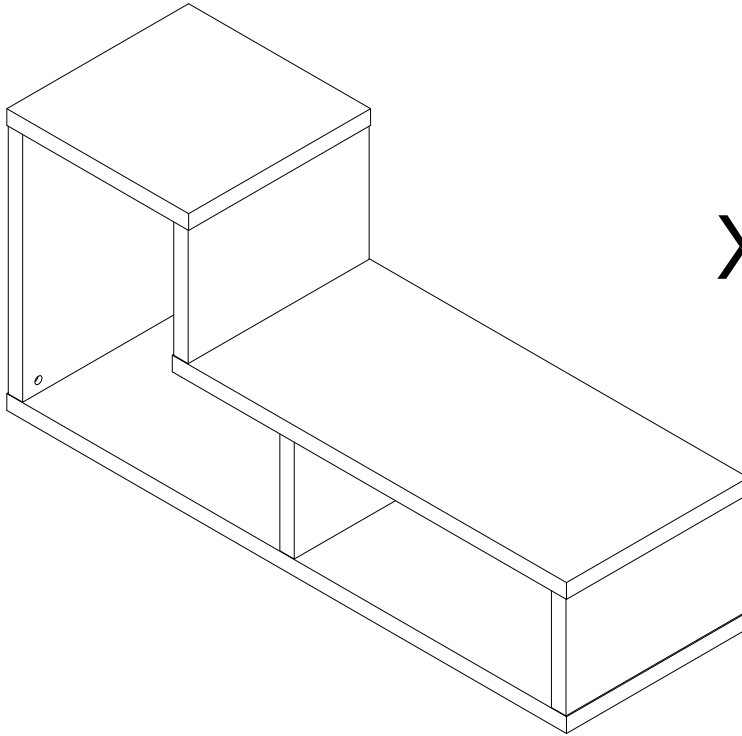
## STEP 5 :



## STEP 6 :



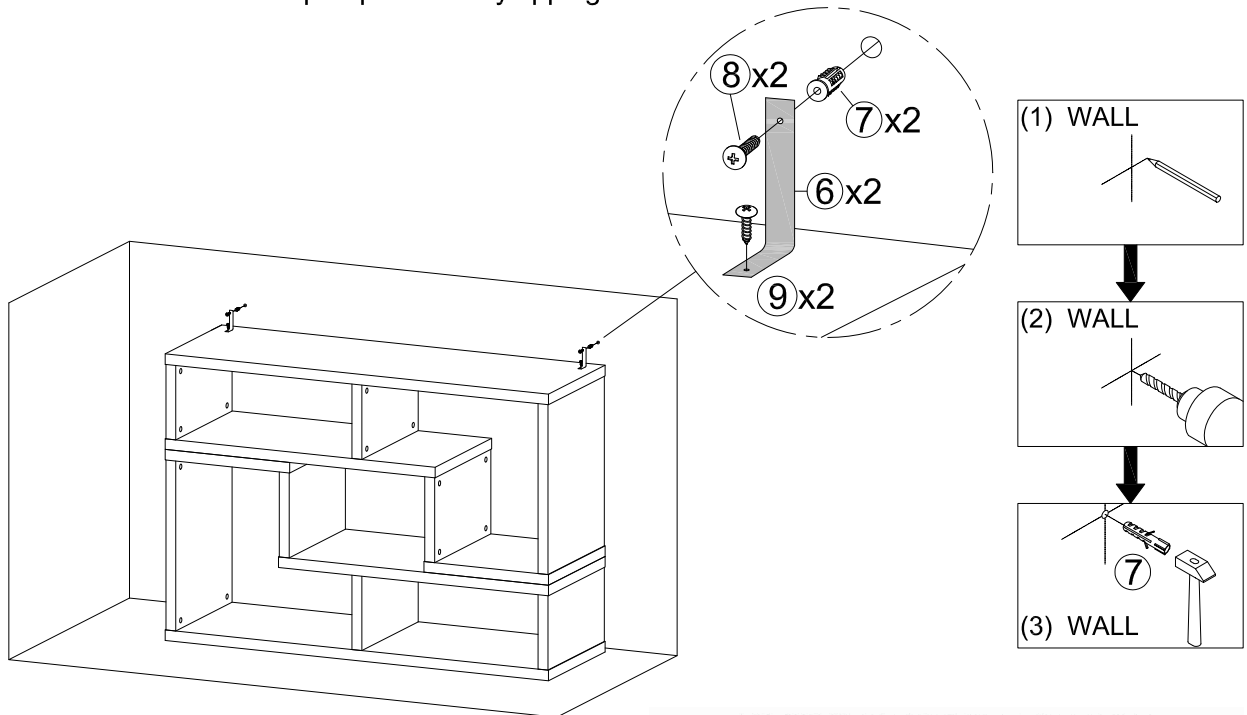
STEP 7 :



x 2

STEP 8 : ATTENTION: ANTI TIPPING SAFEGUARD

Please install the anti-tipping hardware as shown in the drawing.  
This can help to prevent any tipping issues.



**FURNITURE TIPPING RESTRAINT**

**WARNING**

**Injury may result from tipping furniture**

This restraint is not a substitute for proper adult supervision.  
This restraint may provide protection against tipping furniture.

Do not allow children to climb on furniture.

Failure to detach this restraint before moving furniture may  
result in injury and damage

