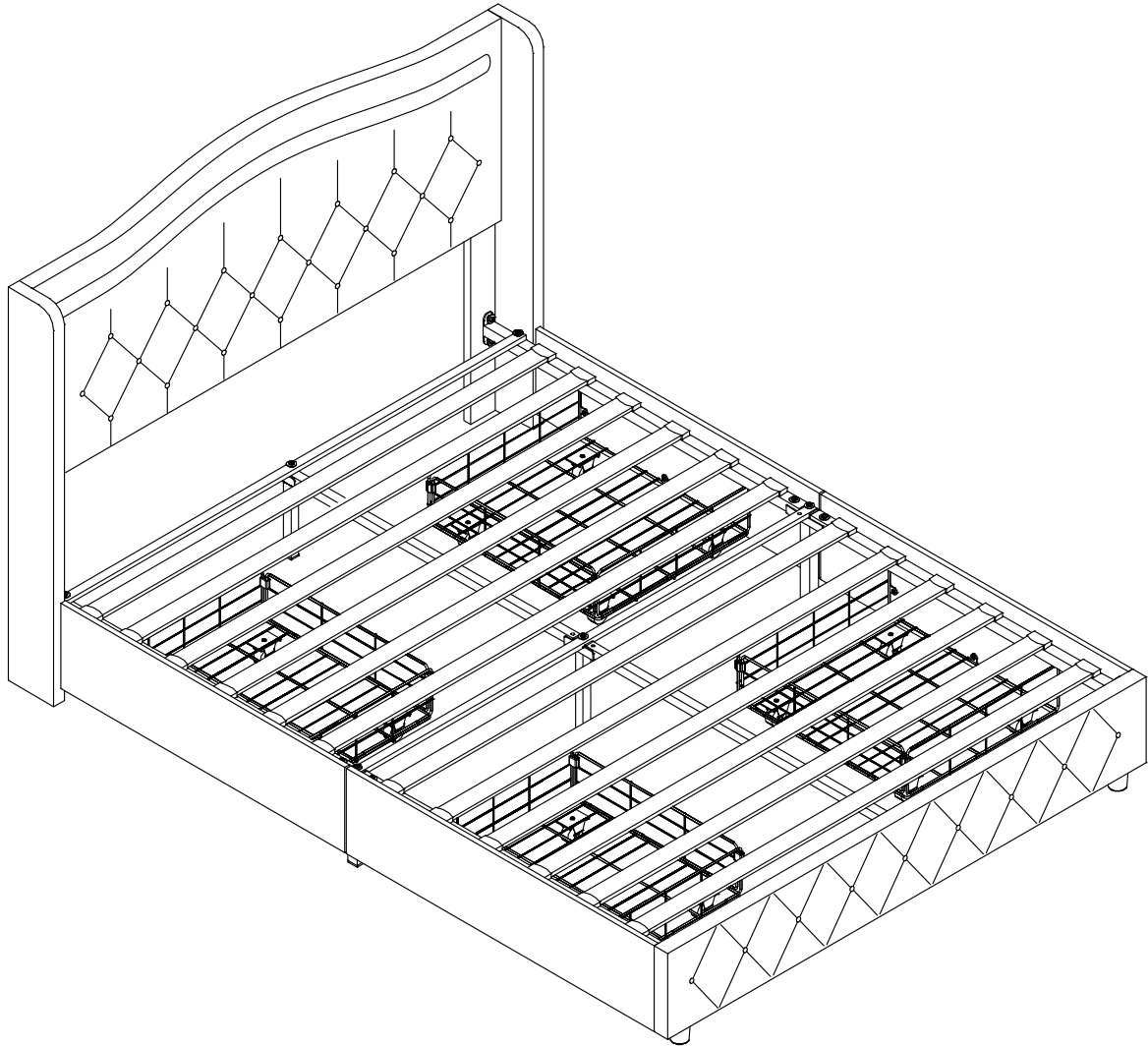


# Instruction Manual



**Bed Frame (Full Size)**

**EN**

Thank you for purchase on our products. Please contact us if you have difficulty with assembly or need replacement parts. Our customer service is here to assist you. Please attach your User Name or Order ID so that we can assist you better.

## **WARNING**

Serious or fatal injury may occur from unexpected assembly or use.

1. During the assembly process, keep all parts away from babies or children.
2. Use of tip-over restraints may only reduce, but not eliminate the risk of tip-over.
3. Unless specially designed to accommodate, do not set heavy objects on top of this product.
4. Place the heaviest items on the lowest shelf.
5. Never allow children to climb or bang on drawers, doors or shelves.

**DE**

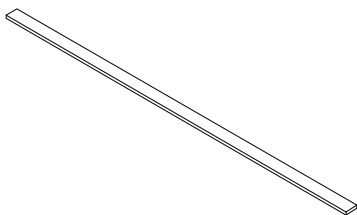
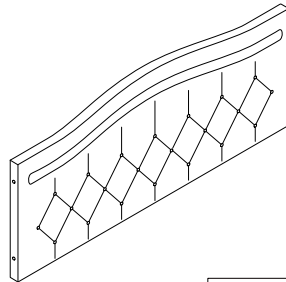
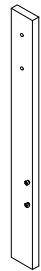

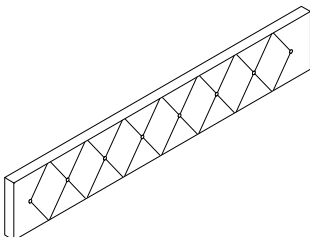
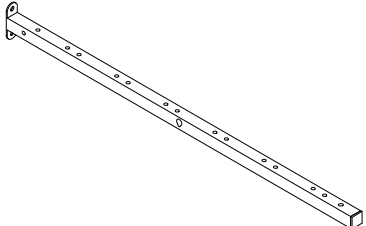
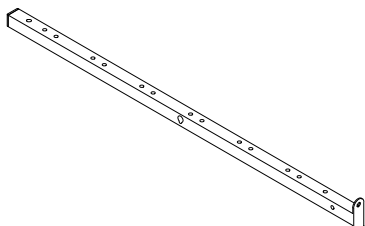
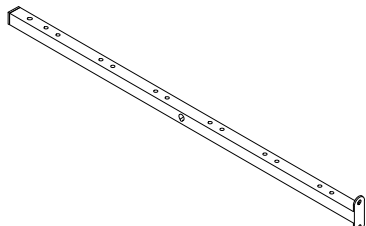
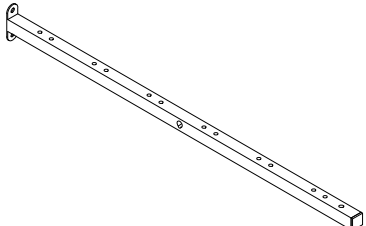
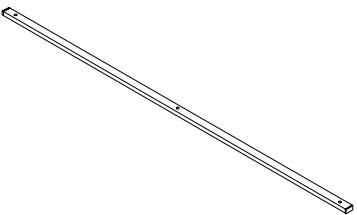
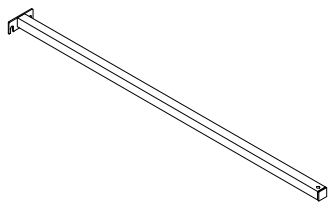
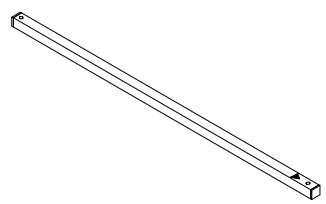
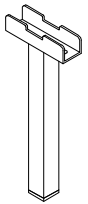
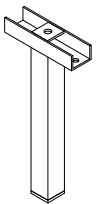
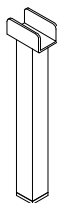
Vielen Dank für Ihren Kauf von uns Produkten. Bitte kontaktieren Sie uns, wenn Sie Probleme mit Montage haben oder Ersatzteile benötigen. Wir Kundenservice ist für Sie da. Bitte geben Sie Ihren Benutzernamen oder Ihre Bestellnummer an, damit wir Sie besser unterstützen können.

## **WARNUNG**

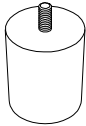
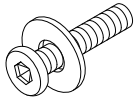
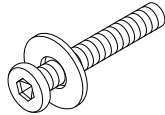
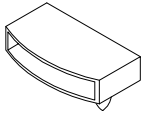
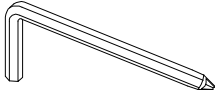
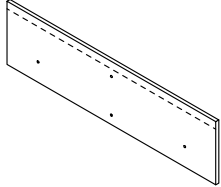
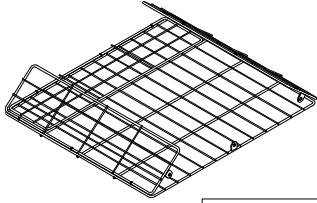

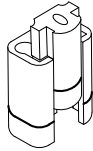
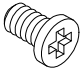
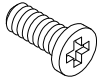
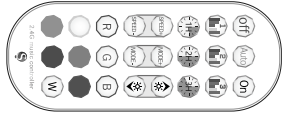
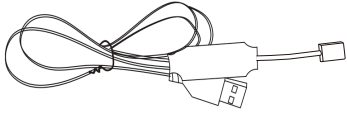
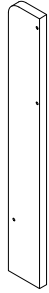
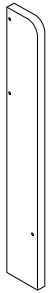
Bei unerwarteter Montage oder Verwendung können schwere oder tödliche Verletzung auftreten.

1. Legen Sie in den Montageprozess alle Teile weg von Babys oder Kindern.
2. Die Verwendung von Kippsicherungen kann die Gefahr eines Kippens nur verringern, jedoch nicht beseitigen.
3. Setzen Sie bitte keine schweren Gegenstände auf dieses Produkt, es sei denn, dass das Produkt speziell für die Unterbringung konzipiert wird.
4. Legen Sie bitte die schwersten Gegenstände auf das unterste Regal.
5. Erlauben Sie nie Kindern, auf Schubladen, Türen oder Regale zu klettern oder zu knallen.

## Assembly Instruction of (Bed)

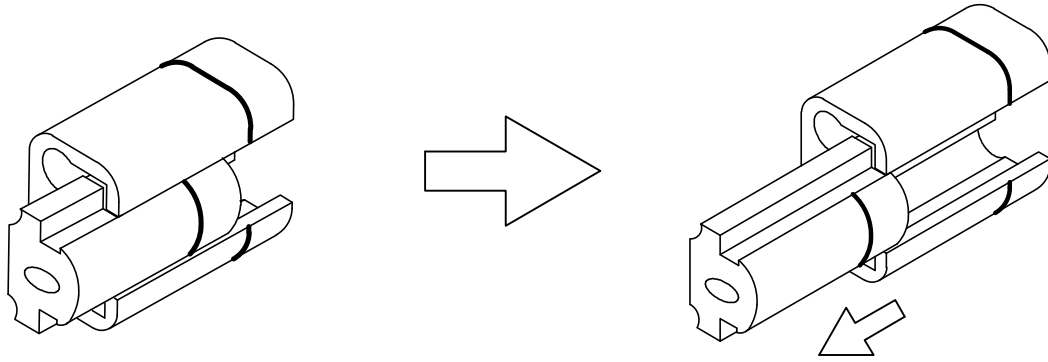
<p><b>A</b> Slat</p>  <div style="text-align: right; border: 1px solid black; padding: 2px; width: fit-content; margin-left: auto;">12PCS</div>	<p><b>C</b> Headboard</p>  <div style="text-align: right; border: 1px solid black; padding: 2px; width: fit-content; margin-left: auto;">1PC</div>	<p><b>D</b> Headboard side leg</p>  <div style="text-align: right; border: 1px solid black; padding: 2px; width: fit-content; margin-left: auto;">1PC</div>
<p><b>D1</b> Headboard side leg</p>  <div style="text-align: right; border: 1px solid black; padding: 2px; width: fit-content; margin-left: auto;">1PC</div>	<p><b>E</b> Footboard</p>  <div style="text-align: right; border: 1px solid black; padding: 2px; width: fit-content; margin-left: auto;">1PC</div>	<p><b>F1</b> Side cross beam</p>  <div style="text-align: right; border: 1px solid black; padding: 2px; width: fit-content; margin-left: auto;">1PC</div>
<p><b>F2</b> Side cross beam</p>  <div style="text-align: right; border: 1px solid black; padding: 2px; width: fit-content; margin-left: auto;">1PC</div>	<p><b>F3</b> Side cross beam</p>  <div style="text-align: right; border: 1px solid black; padding: 2px; width: fit-content; margin-left: auto;">1PC</div>	<p><b>F4</b> Side cross beam</p>  <div style="text-align: right; border: 1px solid black; padding: 2px; width: fit-content; margin-left: auto;">1PC</div>
<p><b>G</b> Middle cross beam</p>  <div style="text-align: right; border: 1px solid black; padding: 2px; width: fit-content; margin-left: auto;">2PCS</div>	<p><b>H</b> Back Middle cross beam</p>  <div style="text-align: right; border: 1px solid black; padding: 2px; width: fit-content; margin-left: auto;">1PC</div>	<p><b>I</b> Front Middle cross beam</p>  <div style="text-align: right; border: 1px solid black; padding: 2px; width: fit-content; margin-left: auto;">1PC</div>
<p><b>J</b> Middle leg</p>  <div style="text-align: right; border: 1px solid black; padding: 2px; width: fit-content; margin-left: auto;">1PC</div>	<p><b>K</b> Edge of the foot</p>  <div style="text-align: right; border: 1px solid black; padding: 2px; width: fit-content; margin-left: auto;">2PCS</div>	<p><b>L</b> Front Leg</p>  <div style="text-align: right; border: 1px solid black; padding: 2px; width: fit-content; margin-left: auto;">1PC</div>

## Assembly Instruction of (Bed)

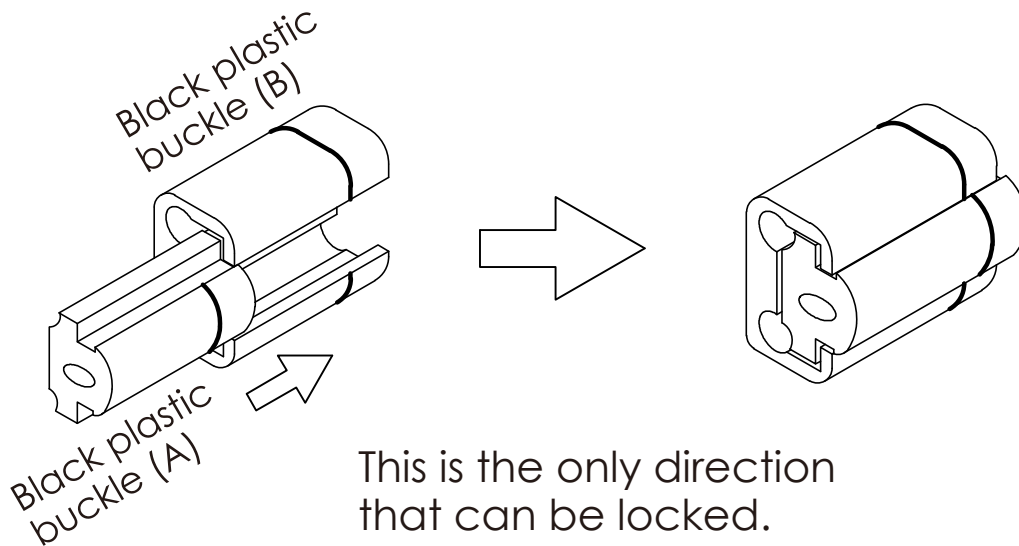
<p><b>M</b> Bed leg</p>  <p style="text-align: right;">2PCS</p>	<p><b>N</b> Innerscrew</p>  <p>M8×45mm      20+1PCS</p>	<p><b>N1</b> Innerscrew</p>  <p>M8×60mm      2PCS</p>
<p><b>O</b> Edge slab</p>  <p style="text-align: right;">24+2PCS</p>	<p><b>P</b> Inner allen wrench</p>  <p style="text-align: right;">1PC</p>	<p><b>Q</b> Drawer panel</p>  <p style="text-align: right;">4PCS</p>
<p><b>R</b> Drawer</p>  <p style="text-align: right;">4PCS</p>	<p><b>S</b> Drawer wheel</p>  <p style="text-align: right;">16PCS</p>	<p><b>T</b> Drawer connector</p>  <p style="text-align: right;">8PCS</p>
<p><b>U</b> Screw</p>  <p>M6×12mm      16+2PCS</p>	<p><b>V</b> Screw</p>  <p>M6×15mm      12PCS</p>	<p><b>W</b></p>  <p style="text-align: right;">1PC</p>
<p><b>X</b></p>  <p style="text-align: right;">1PC</p>	<p><b>R1</b> Left wing</p>  <p style="text-align: right;">1PC</p>	<p><b>R2</b> Right wing</p>  <p style="text-align: right;">1PC</p>

## Assembly Instruction of (Drawer)

### STEP 1

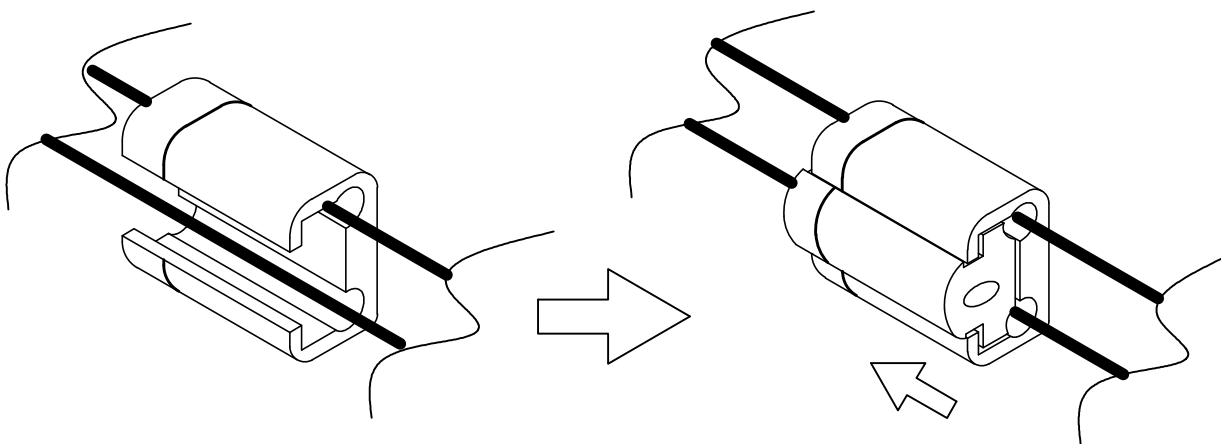


You can pull the buckle out by following the direction indicated by the arrow



This is the only direction that can be locked.

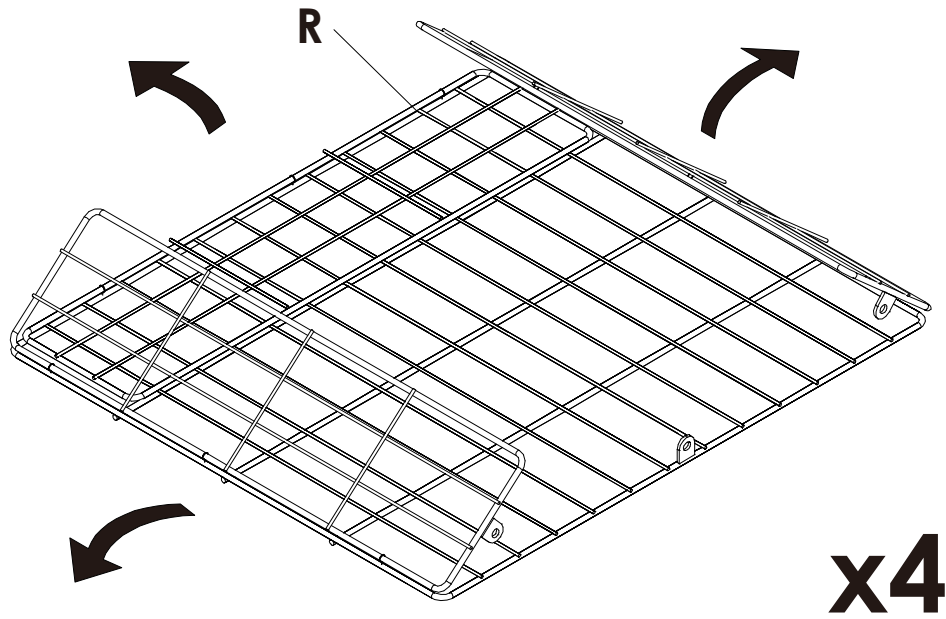
### STEP 2



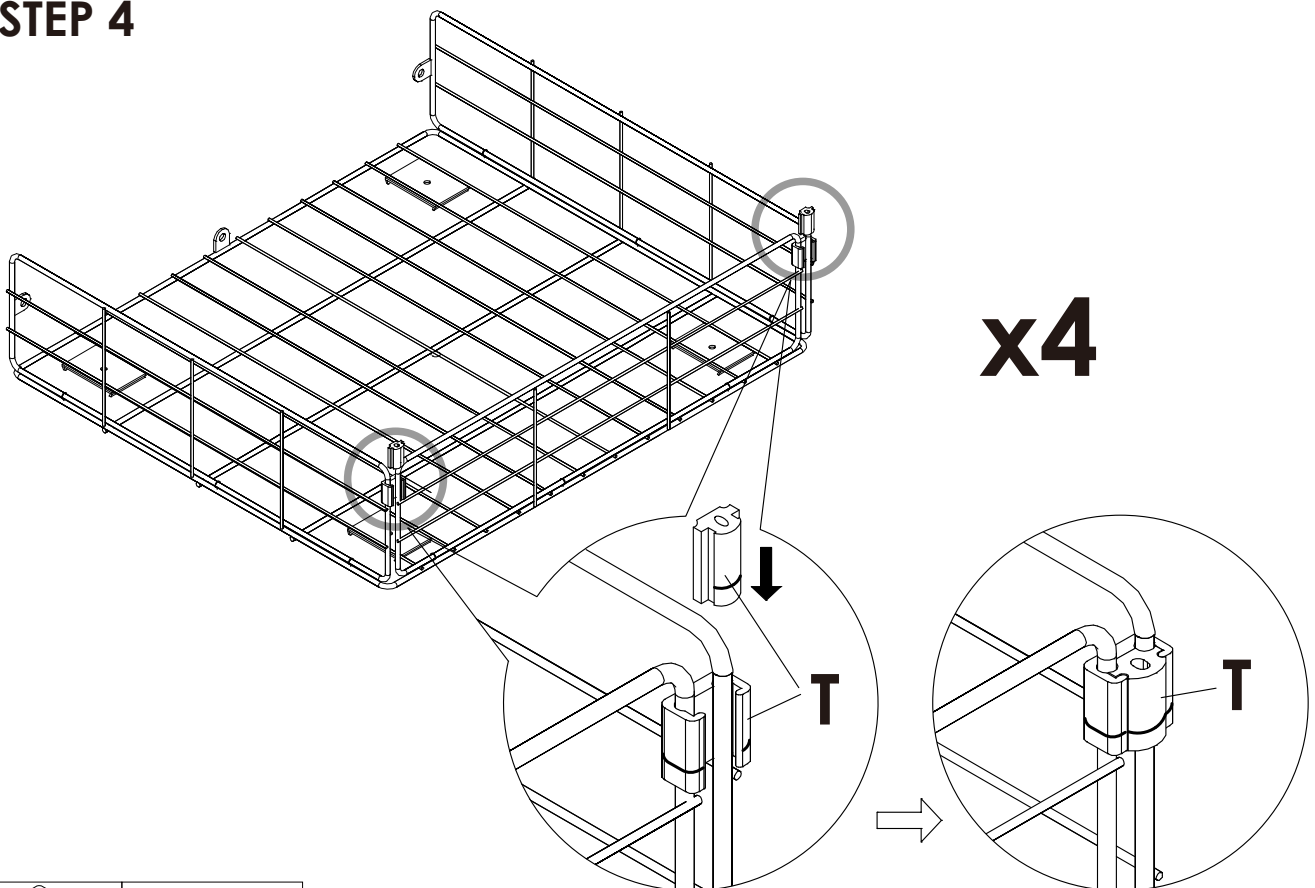
Place round iron tube as shown for better drawer assembly

# Assembly Instruction of (Drawer)

## STEP 3



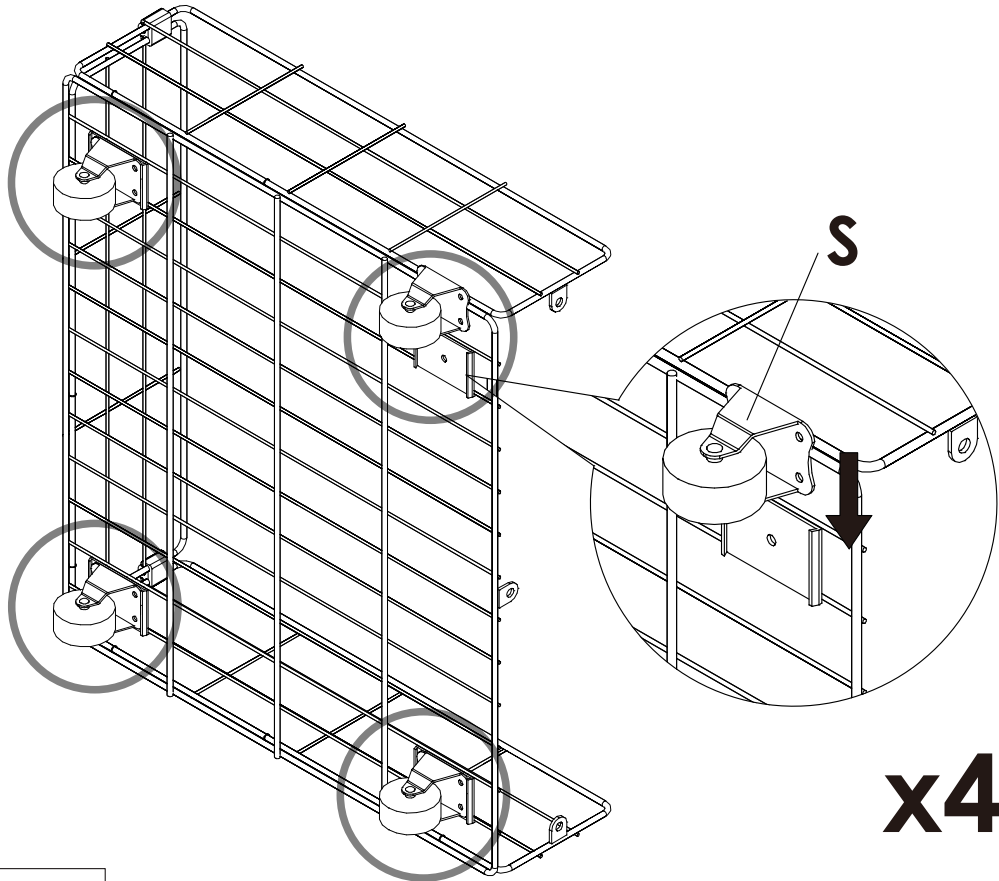
## STEP 4



T x 8PCS

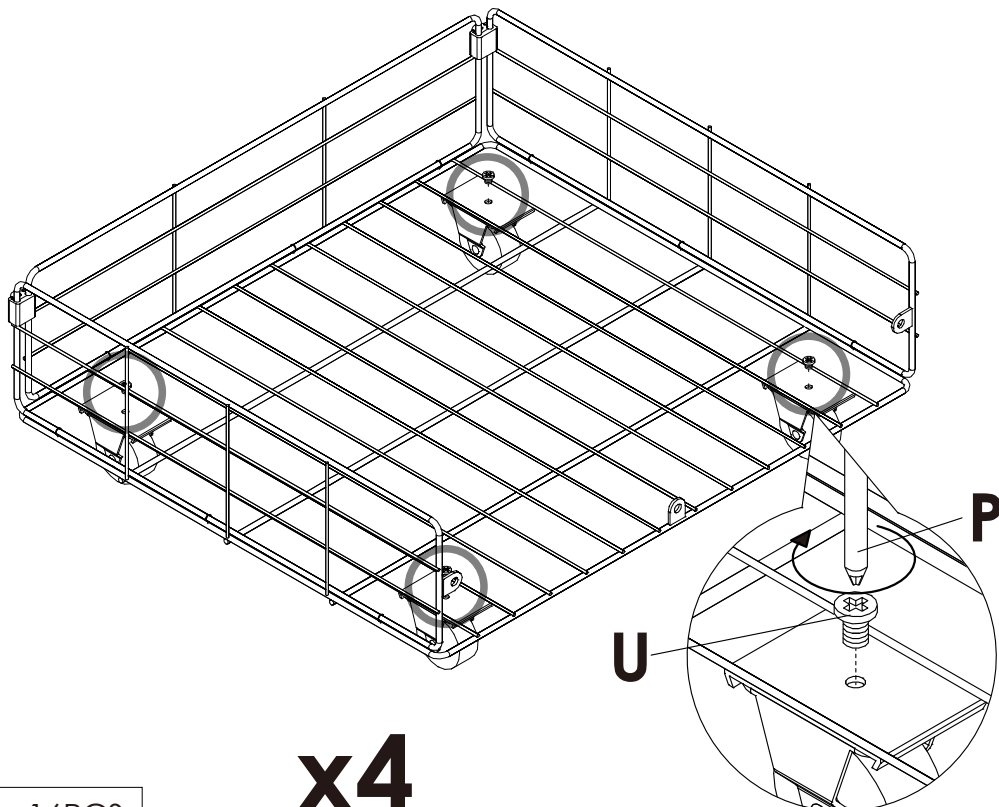
# Assembly Instruction of (Drawer)

## STEP 5



**S** x 16PCS

## STEP 6



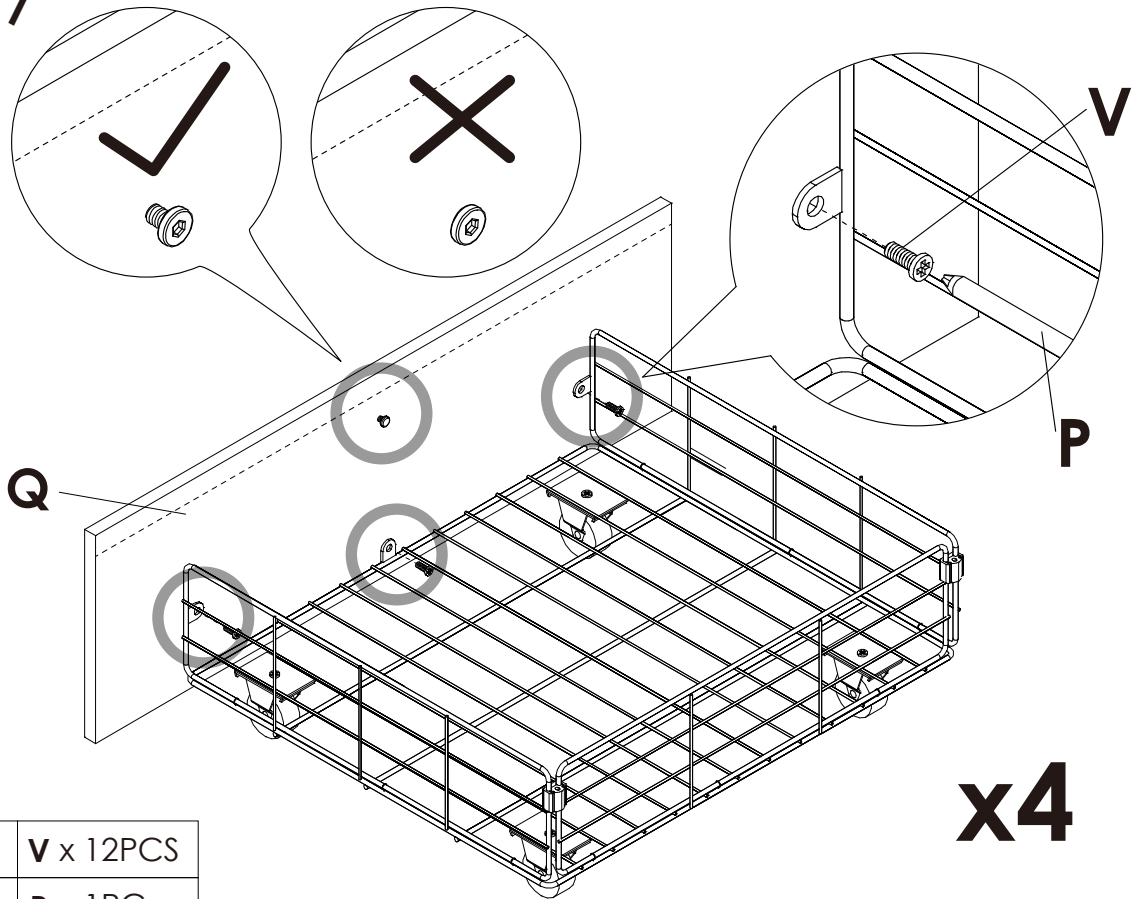
**U** x 16PCS



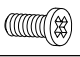

**P** x 1PC

# Assembly Instruction of (Drawer)

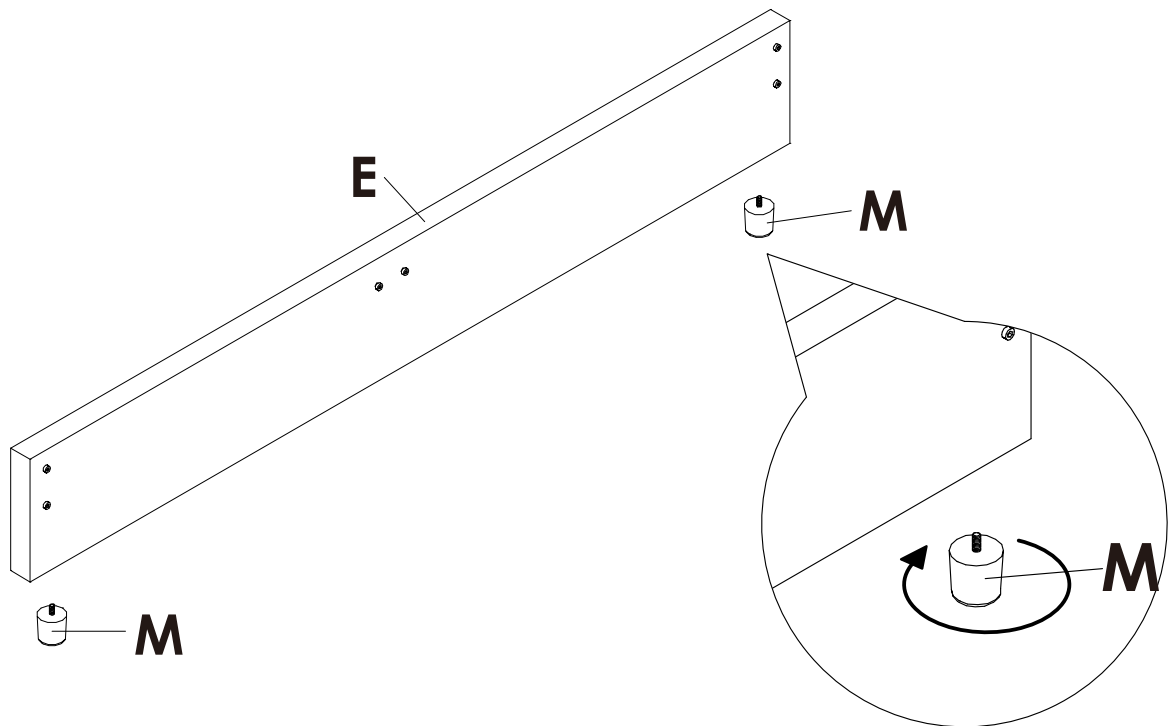
## STEP 7



x4

	V x 12PCS
	P x 1PC

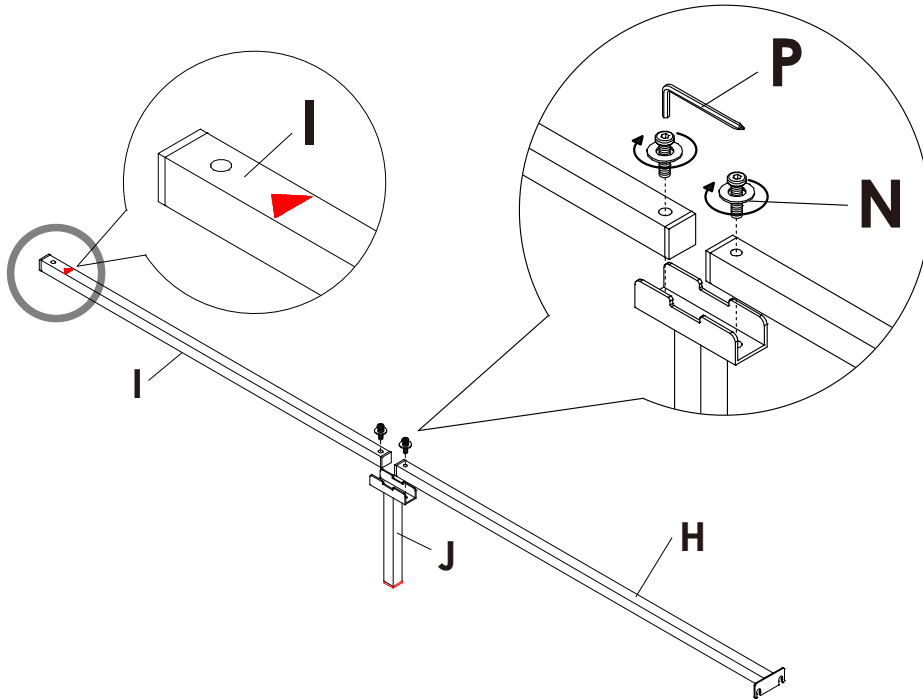
## STEP 8





# Assembly Instruction of (Bed)

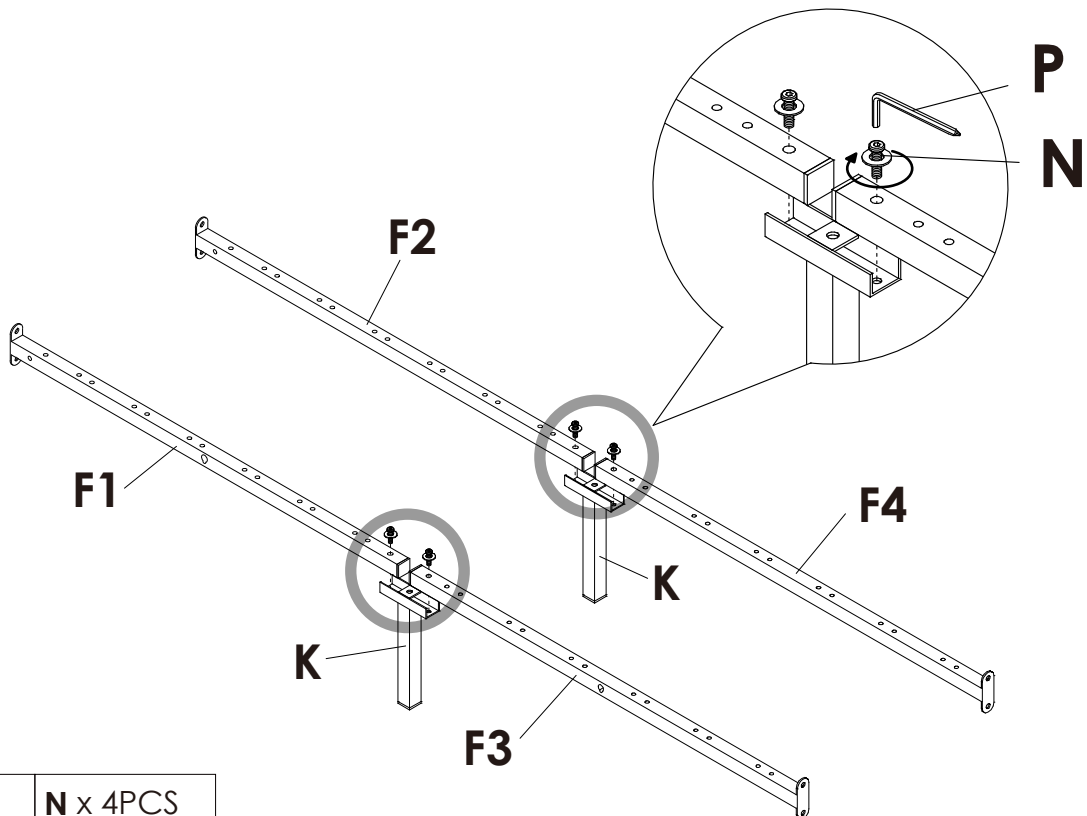
## STEP 9

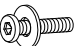

Noted that the middle cross beam, the direction of the red arrow is the front



	N x 2PCS
	P x 1PC

## STEP 10



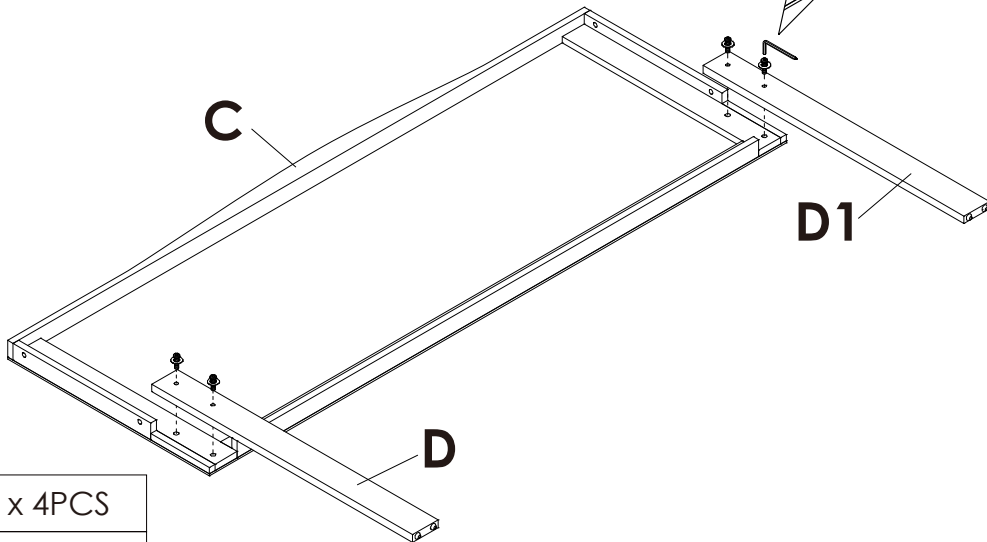
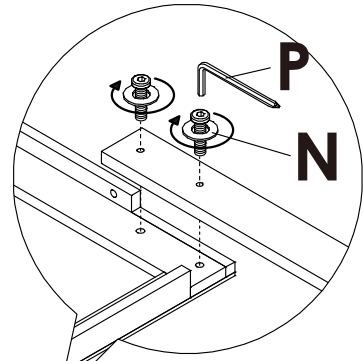
	N x 4PCS
	P x 1PC

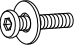

# Assembly Instruction of (Bed)

## STEP 11



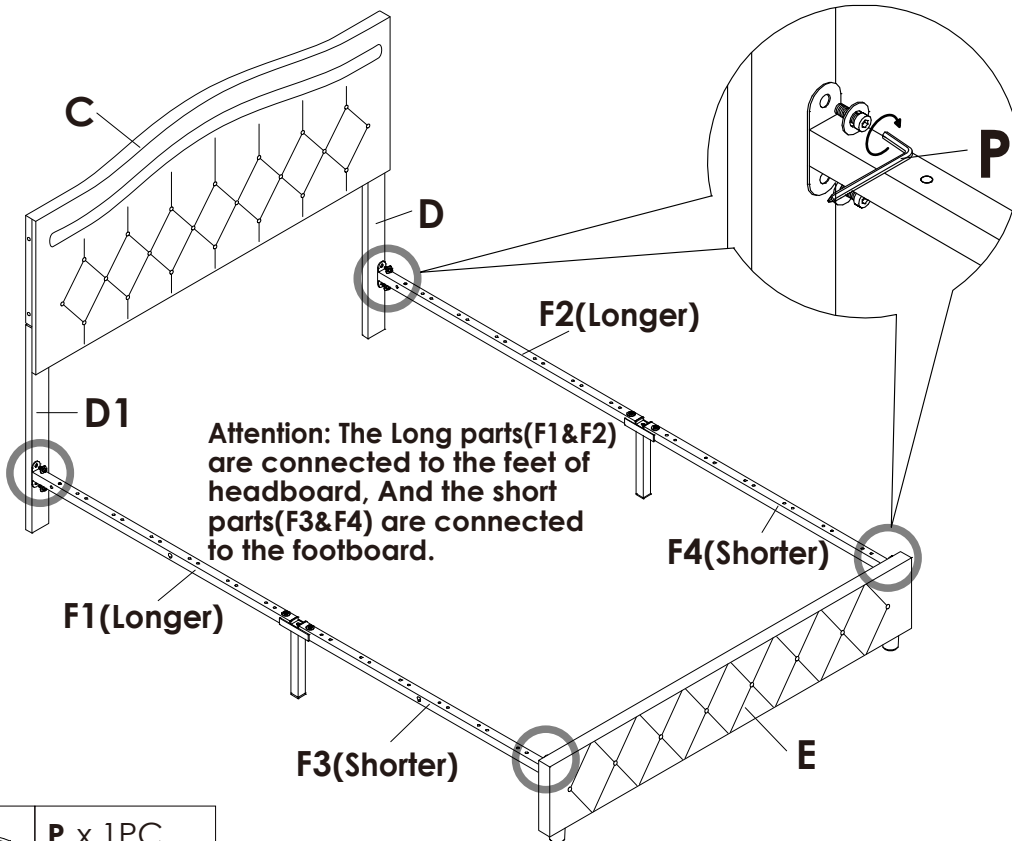
**Attention:**  
The legs #D&D1 of headboard could not be exchanged.



	N x 4PCS
	P x 1PC

## STEP 12

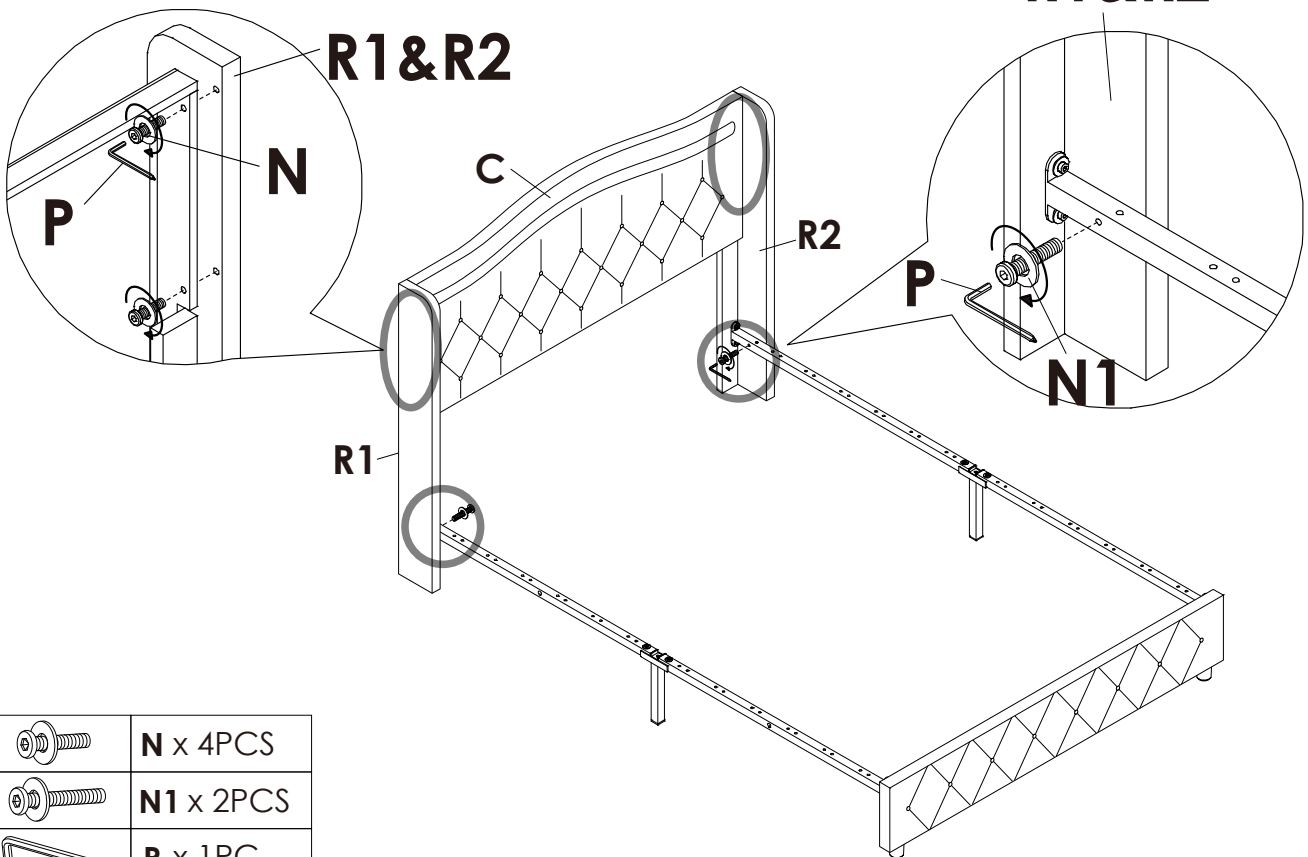
Loosen the screw of headboard side leg and both sides of footboard, hanging the bracket and tight the innerscrew.



	P x 1PC
---	---------

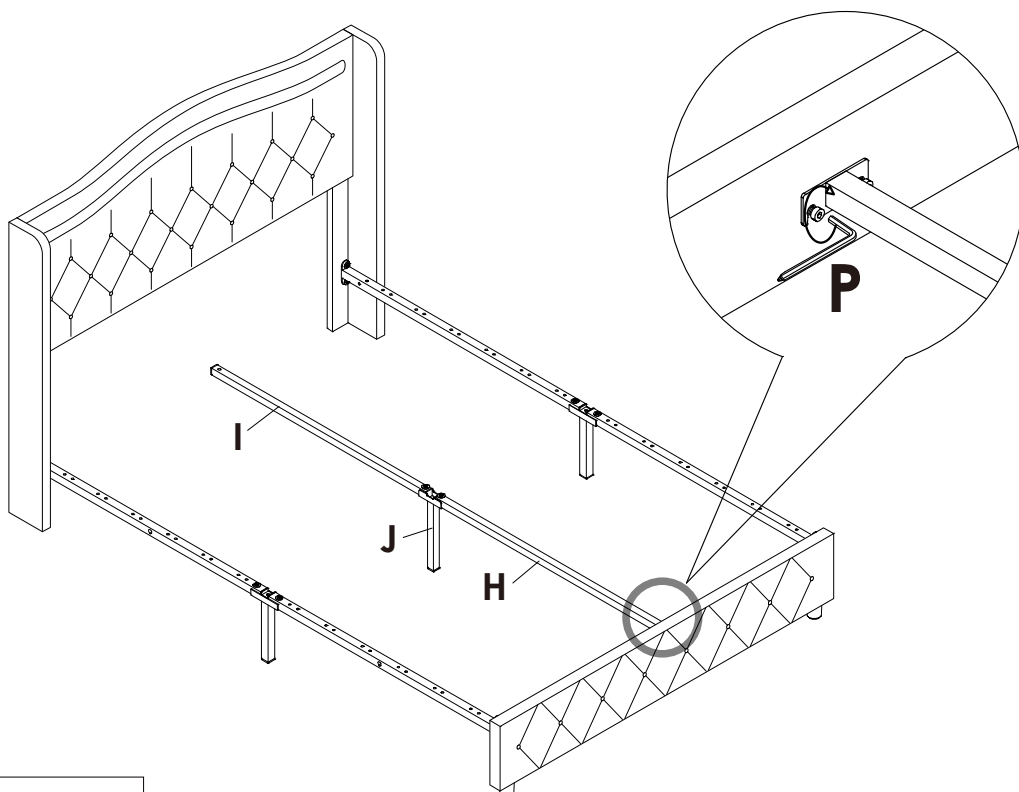
# Assembly Instruction of (Bed)

## STEP 13



## STEP 14

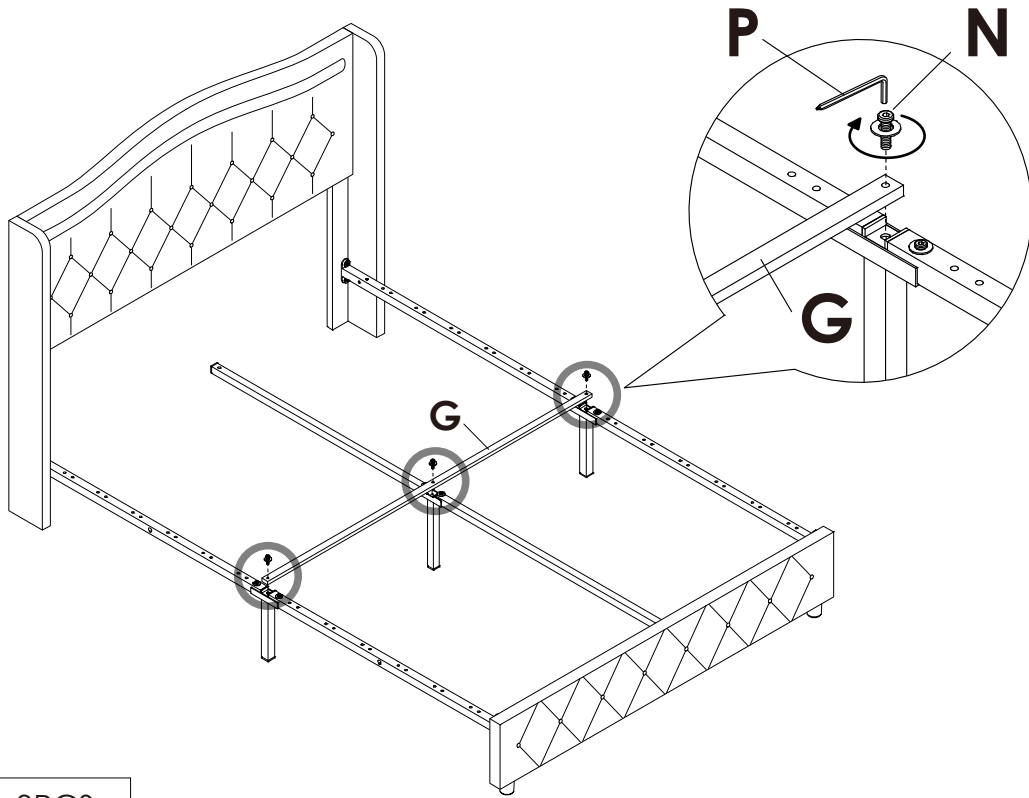
Loosen the screw of the middle of footboard, hanging the bracket and tight the innerscrew.

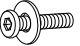



	P x 1PC
---	---------

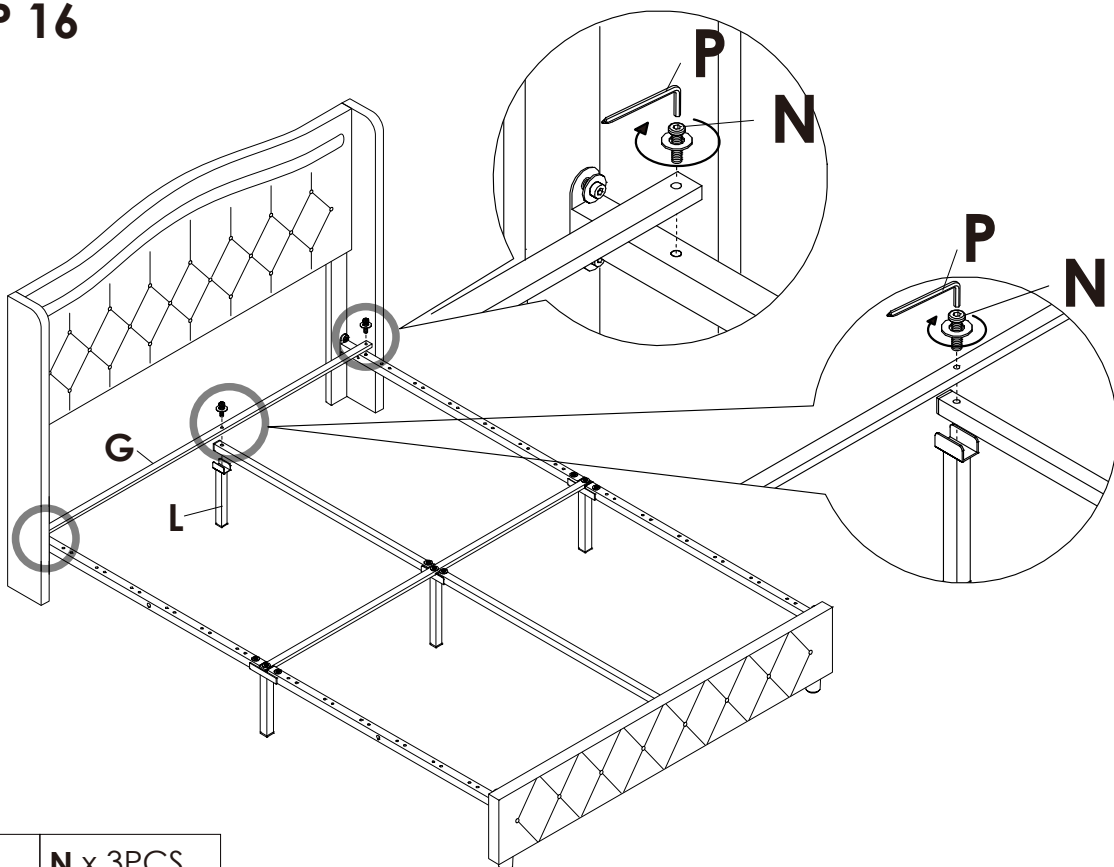
# Assembly Instruction of (Bed)

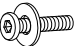

## STEP 15



	<b>N</b> x 3PCS
	<b>P</b> x 1PC

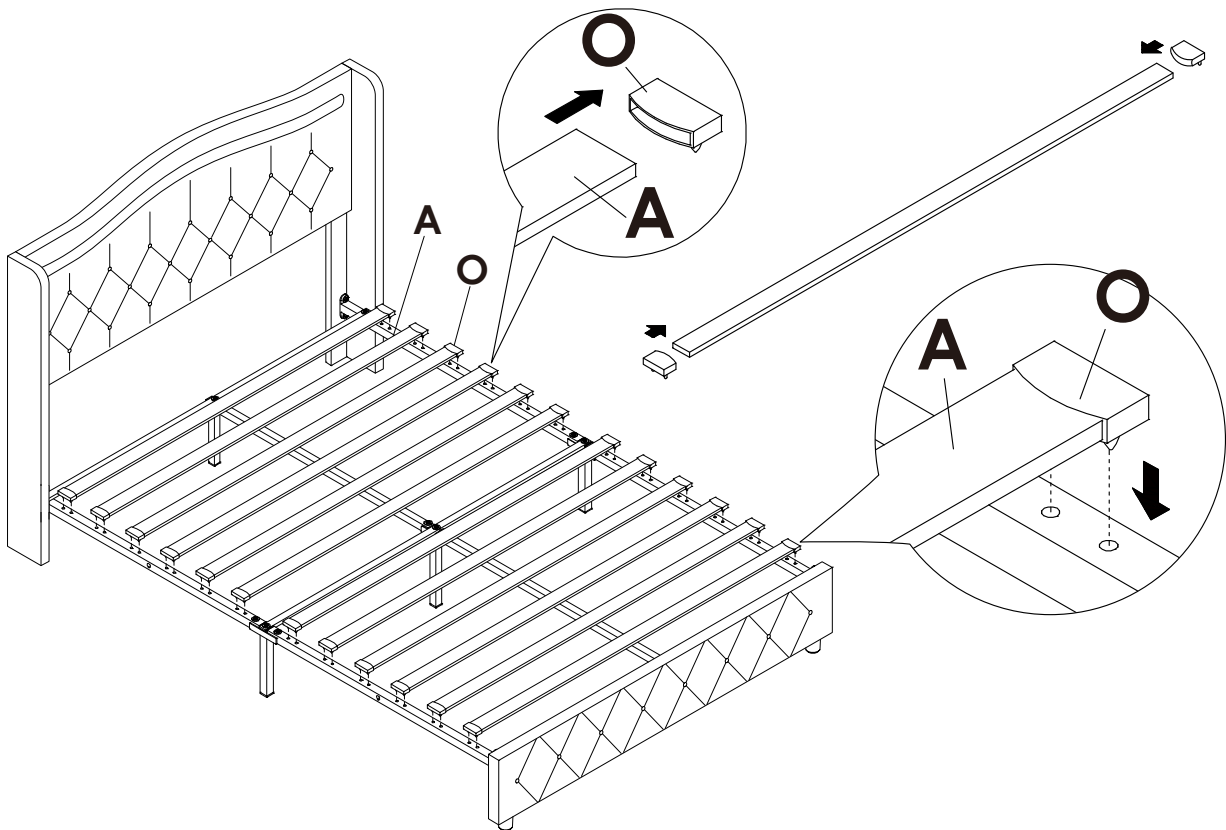
## STEP 16



	<b>N</b> x 3PCS
	<b>P</b> x 1PC

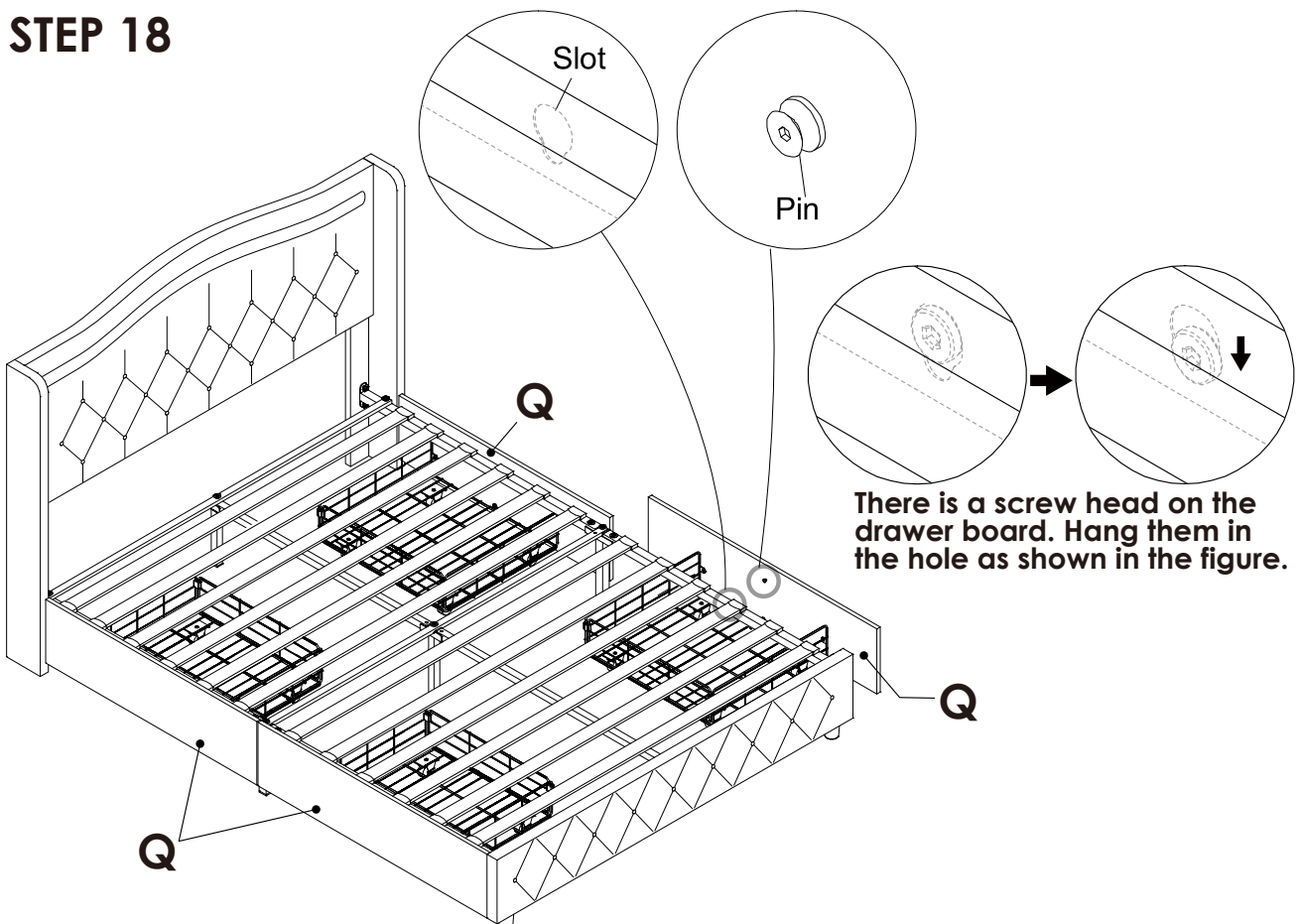
# Assembly Instruction of (Bed)

## STEP 17



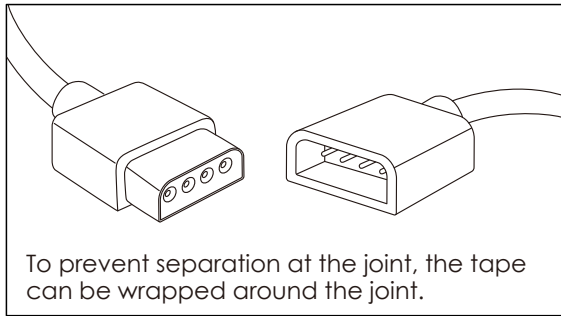
O x 24PCS

## STEP 18

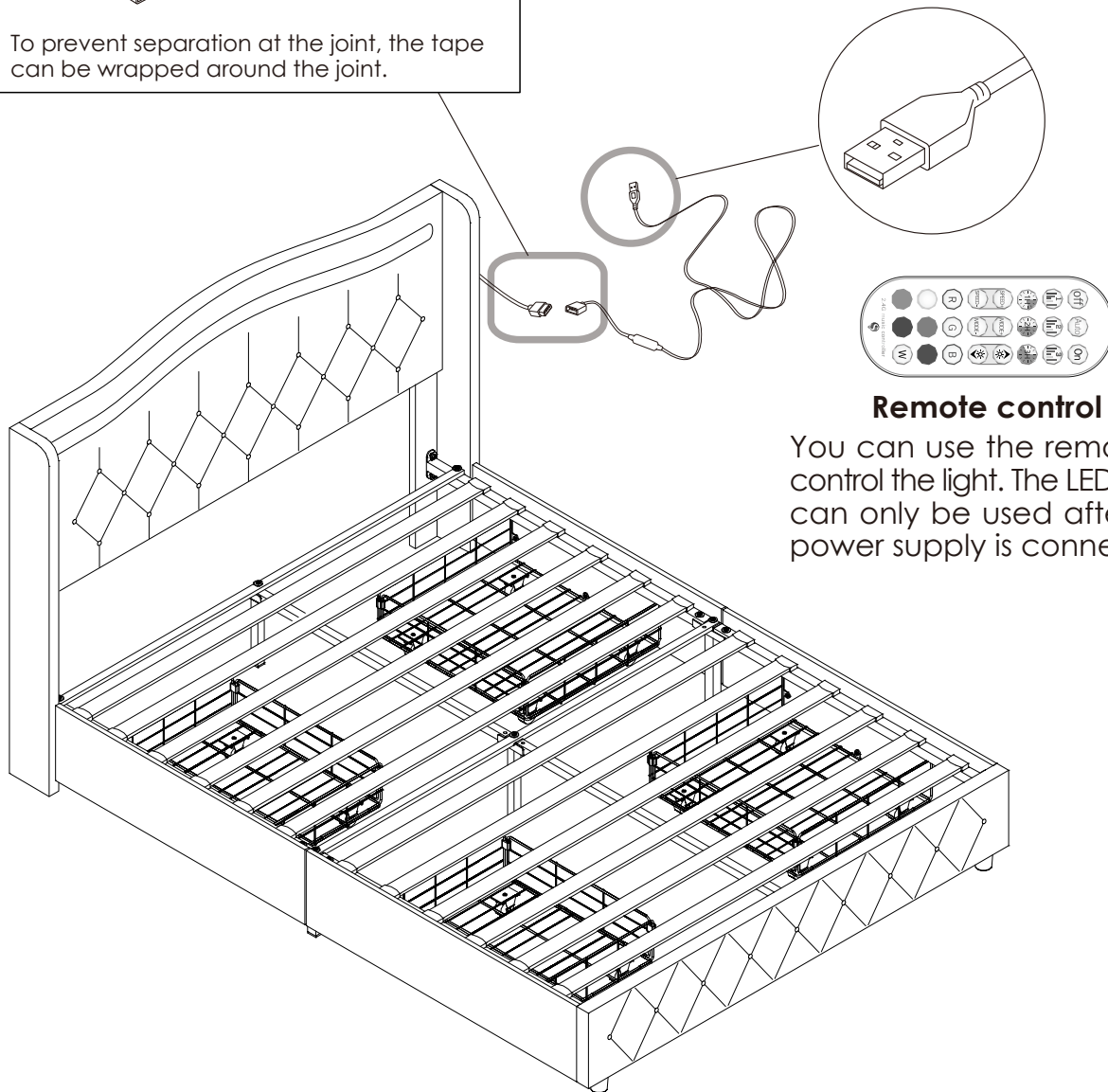


# Assembly Instruction of (Bed)

## STEP 19



**NOTE:** The black part of the receiver (X) needs to be exposed to air in order to better control the LED light.



Please scan the QR code on the manual/controller and install the application.

Step1: Please make sure your phone has Bluetooth enabled.

Step2: The LED light will automatically connect to the APP.

