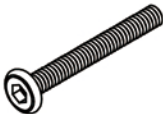
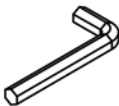








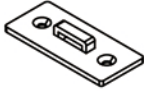

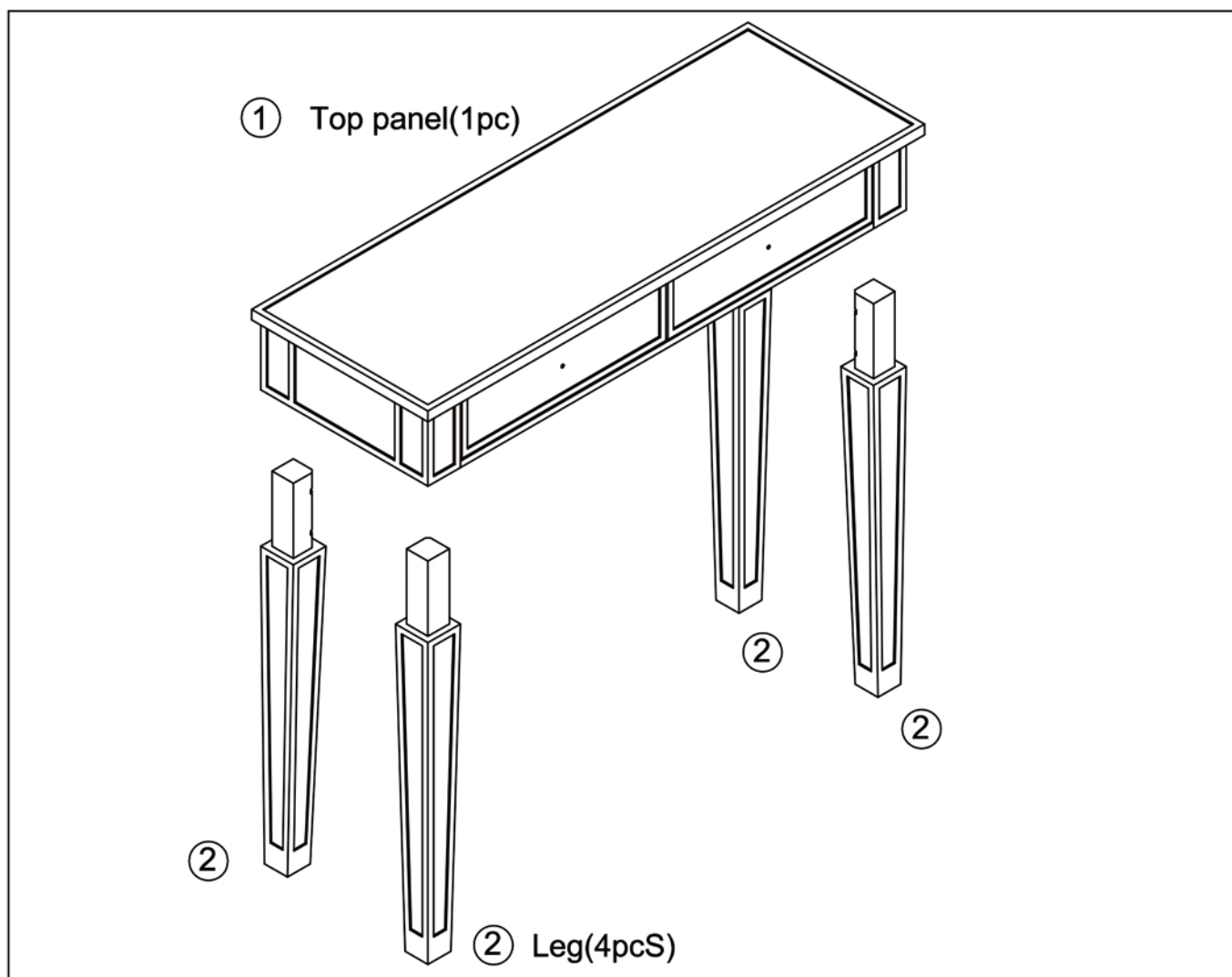


## Hardware List

(A)		(B)		(C)		(D)	
Bolt(8pcs)		Allen wrench(1pc)		Anchor(1pc)		Eyelet screw(1pc)	
(E)		(F)		(G)		(H)	
Washer(8pcs)		Cable tie(1pc)		Short screw(2pcs)		Screw(2pcs)	
(I)		(J)		(K)		(L)	
Knob(2pcs)		Polishing cloth(1pc)		Plastic bracket(1pc)		Sleeve(2pcs)	

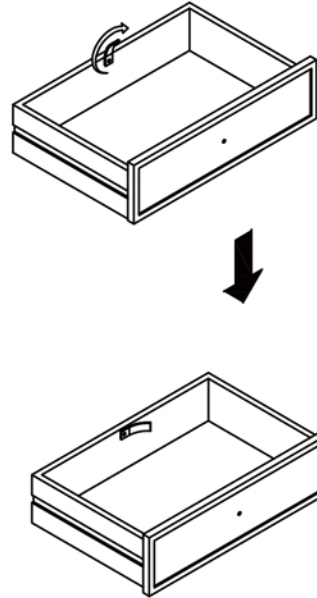
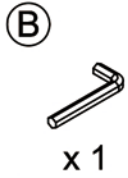
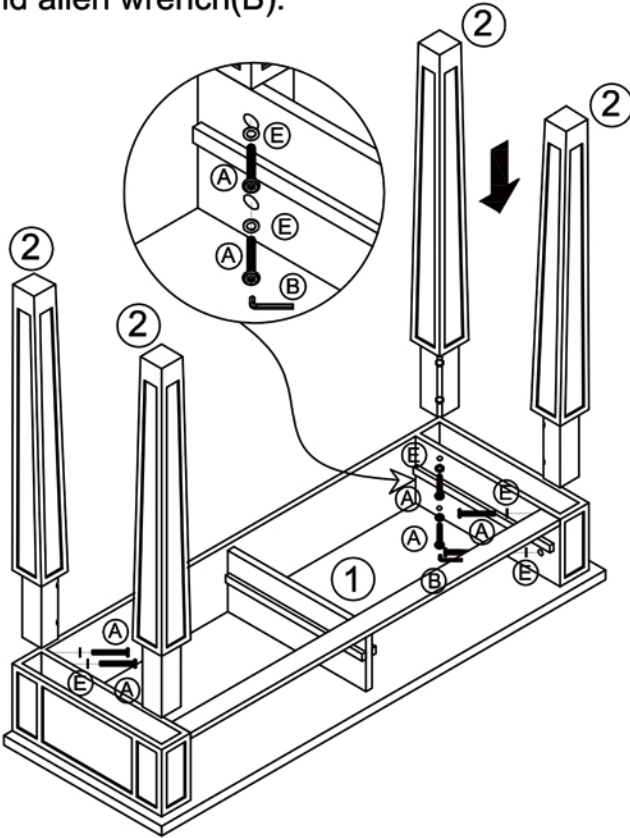
## Panel List



## Step 1

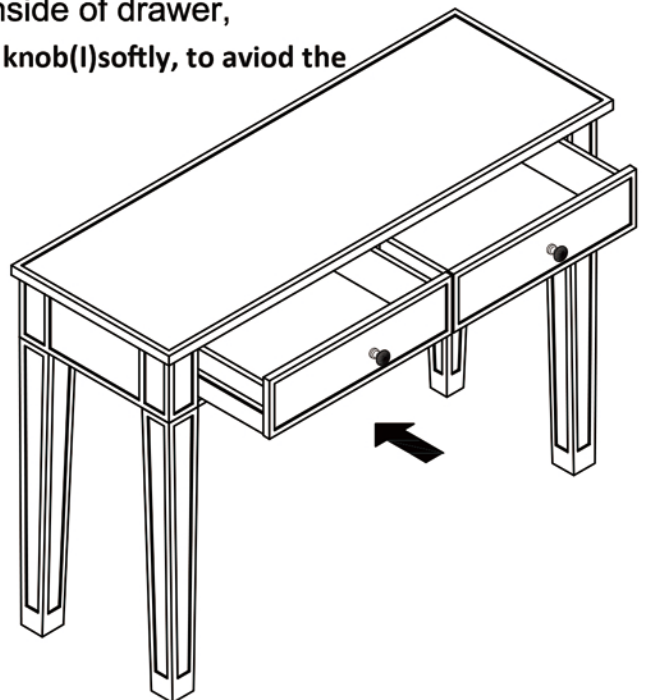
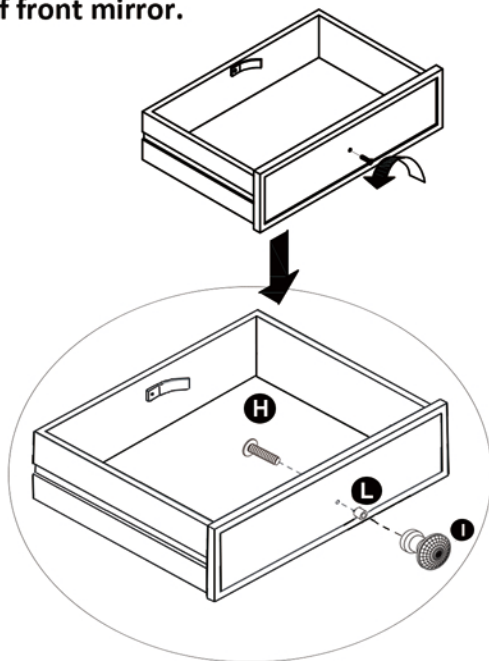
\*Assemble face down on carpet or soft surface.\*

1. Remove drawers from top panel (1). Make sure to move drawer stop so that drawer can be removed.
2. Connect legs (2) to top panel (1) as show using bolts(A), washers(E) and allen wrench(B).



## Step 2

1. Remove knob (I) from inside of drawer to outside of drawer using a hand held screwdriver, Screw (H) goes on inside of drawer,
2. Cause please! Sleeve (L) must be installed with knob (I) softly, to avoid the broken of front mirror.



### Step 3

1. Connect plastic bracket (K) to unit as show using short screws(G).
2. Insert cable tie (F) into plastic bracket (K) as show.
3. Drill hole slightly smaller than anchor (C) into drywall and gently tap anchor into hole,
4. Insert eyelet screw (D) into anchor and fasten unit to wall using cable tie (F)

