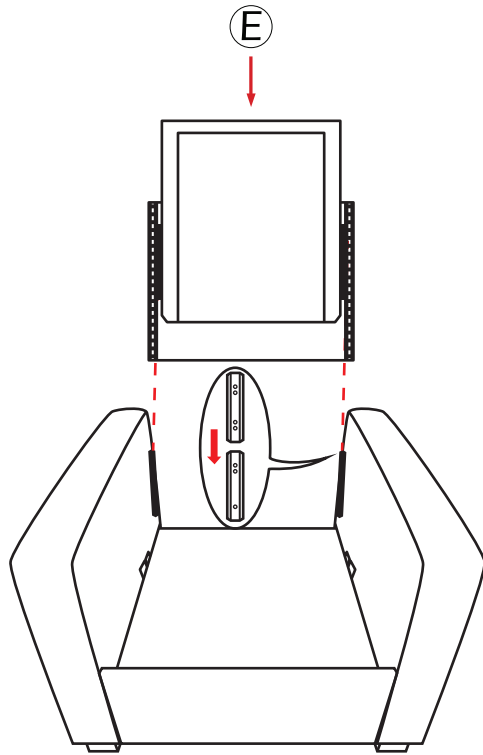


Model: _____

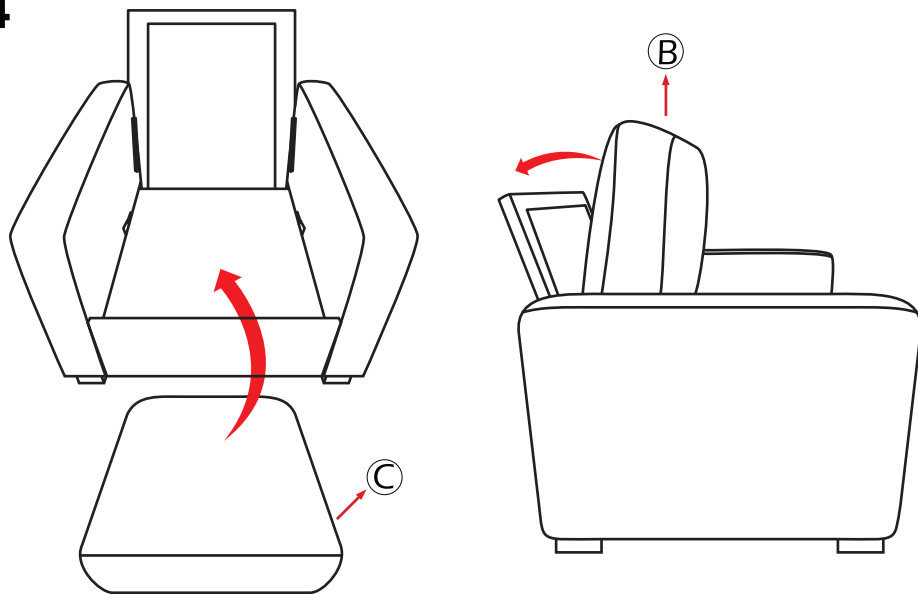
Lot No: _____

Date of Purchase: _____

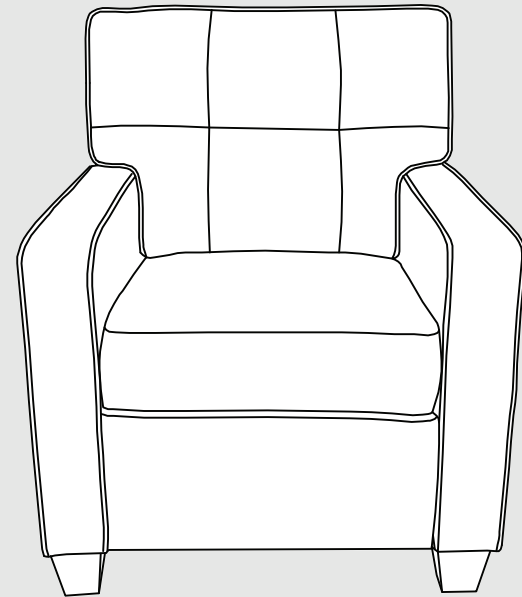
3



4



CHAIR



ADULT ASSEMBLY REQUIRED

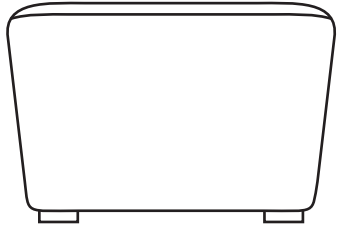
If you are missing any parts or have any questions regarding assembly, do not return this item to the retailers store. Please call our toll-free customer service number and have this assembly manual open to the parts list ready to provide the model name, and part name or number.



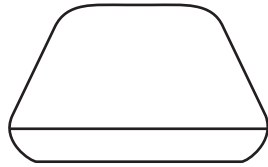
WARNING: This product may contain small components, please ensure they are kept away from small children.

PARTS AND HARDWARE

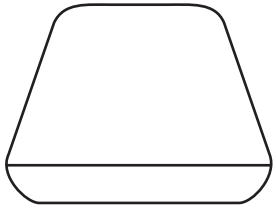
Avoid using sharp objects such as a knife to cut open packing as you may accidentally damage the upholstery.



A. Arms
2x
(*packed in separate box)



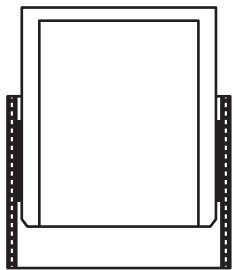
B. Back Cushion
1x



C. Seat Cushion
1x



D. Base Connector
1x



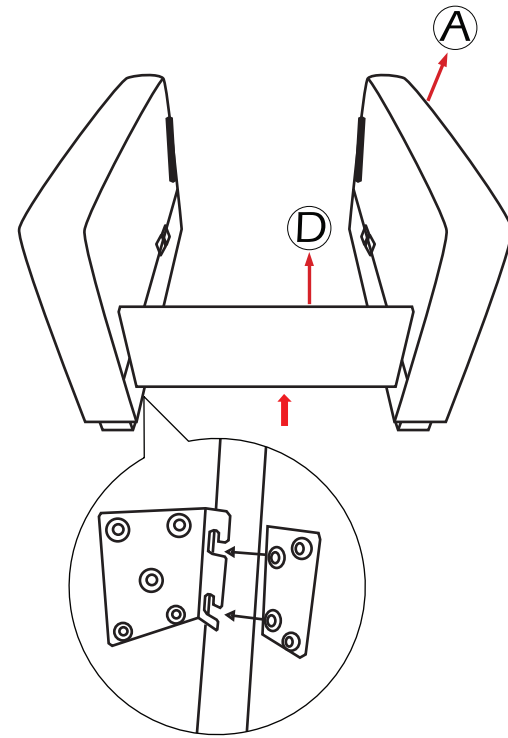
E. Backrest
1x



F. Seat Base
1x

ASSEMBLY INSTRUCTIONS

1



2

