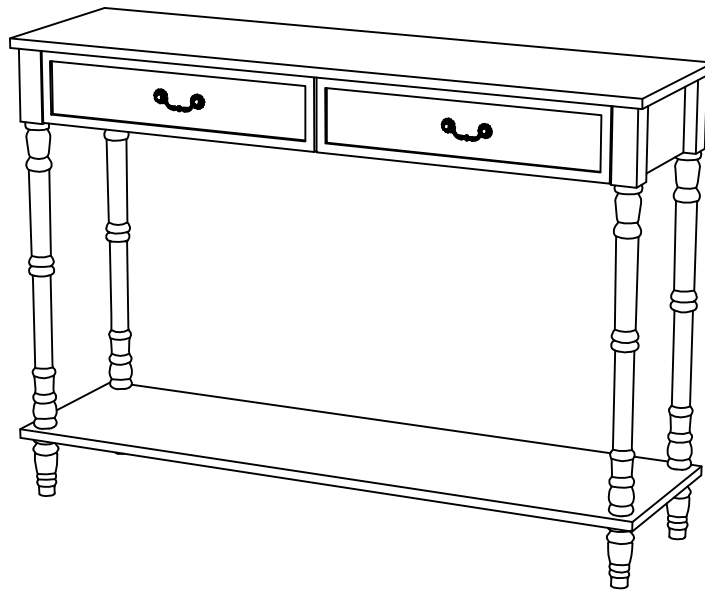


ASSEMBLY INSTRUCTIONS

Console Table



NOTE TO CUSTOMERS:

- For ease and speed of assemble we recommend that before you commence each step of the assembly that you identify all the parts required to complete that step.
- We recommend that where possible you allow sufficient space to assemble the item as close as possible to the place where it will be once assembled.
- For the protection of your furniture we recommend that the product is placed on protected surfaces during assembly to prevent any damage.
- During assembly do not over tighten, as this may damage the product.
- Please ensure you retain all the product packaging until the item completely assembled.
- Please periodically check all fittings and re-tighten as necessary.
- Never allow any liquids to remain on your furniture as absorption can cause the wood to warp or the finish to de-laminate.
- It is recommended that this item should be assembled by two adults.

To insert a cam lock: (Please read below instructions before assembling)

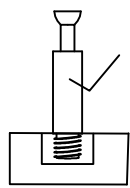
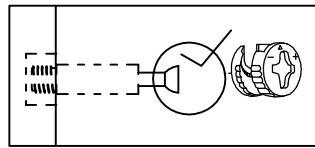


Diagram A



1. Insert cam screw into hole as shown in diagram A .

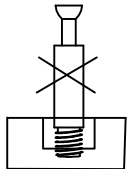
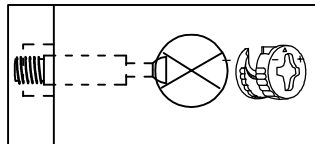


Diagram B



Make sure not to insert the cam screw:
Too deep as shown in figure B as this will cause the
cam screw to be misaligned and unable to
interlock properly.

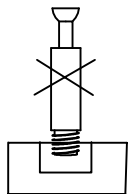
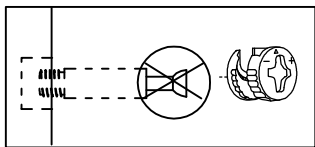
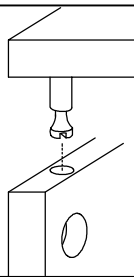


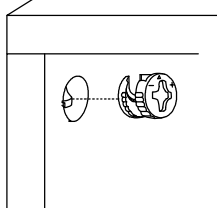
Diagram C



Also avoid inserting the cam screw too close to the
surface of the hole as shown in figure C, as this will
cause the cam lock to be too loose, and not interlock
properly.



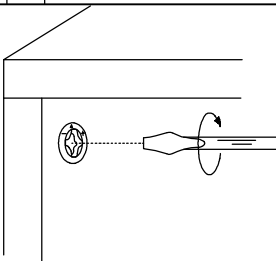
2. Connect the panels together.



ARROW SIGN



3. When inserting the cam lock make sure the arrow
of the cam lock faces the cam screw.



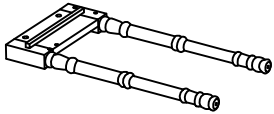
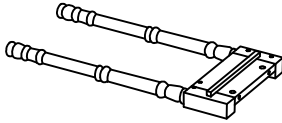
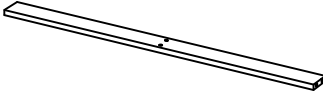

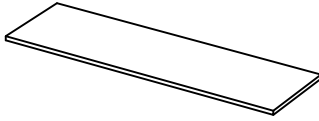

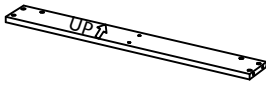

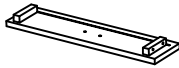



4. To tighten the cam lock turn the cam lock clockwise
90-180 degree or until the arrow is facing opposite
the place cam lock was inserted.

**NOTE: DO NOT USE AN AUTOMATIC
SCREWDRIVER TO TIGHTEN CAM LOCKS.**

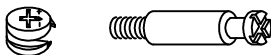






Note:

- Read these instructions carefully before assembling.
- Tools required : Phillips screwdriver, flat screwdriver.
- Find a clean, smooth area on which to work , such as a carpet, in order to avoid scratching the wood surfaces.
- Wait to dispose of the packing material until assembly is complete and all parts and hardware are accounted for.
- Two or more people might be required for assembly.

Part List

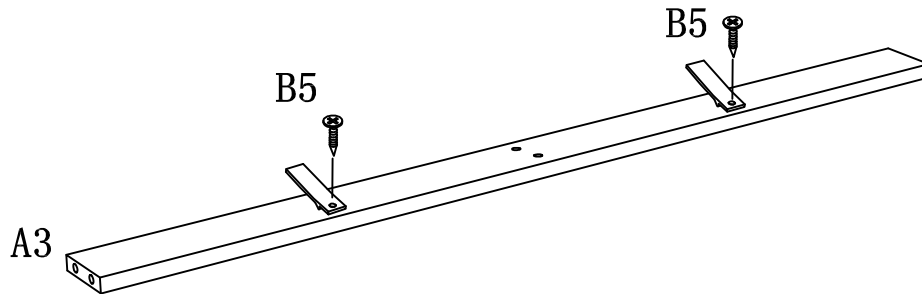
<p>A1. Quantity of 1</p>  <p>Left Frame</p>	<p>A2. Quantity of 1</p>  <p>Right Frame</p>	<p>A3. Quantity of 1</p>  <p>Connect Bar</p>	<p>A4. Quantity of 1</p>  <p>Divider</p>
<p>A5. Quantity of 1</p>  <p>Top Panel</p>	<p>A6. Quantity of 1</p>  <p>Bottom Panel</p>	<p>A7. Quantity of 1</p>  <p>Back Panel</p>	<p>A8. Quantity of 4</p>  <p>Leg</p>
<p>A9 (L&R). Quantity of 2</p>  <p>Drawer Front Panel</p>	<p>A10. Quantity of 4</p>  <p>Drawer Side Panel</p>	<p>A11. Quantity of 2</p>  <p>Drawer Back Panel</p>	<p>A12. Quantity of 2</p>  <p>Drawer Bottom Panel</p>

Hardware List

<p>B1. Quantity of 19</p>  <p>Camlock & Cambolt</p>	<p>B2. Quantity of 1</p>  <p>Wood Dowel</p>	<p>B3. Quantity of 16</p>  <p>Screw</p>	<p>B4. Quantity of 2</p>  <p>Handle with bolts</p>
<p>B5. Quantity of 2</p>  <p>Stopper with screw</p>	<p>B6. Quantity of 1</p>  <p>Anchor with Screw</p>	<p>B7. Quantity of 1</p>  <p>Anti-tip kit</p>	


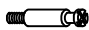
Step 1

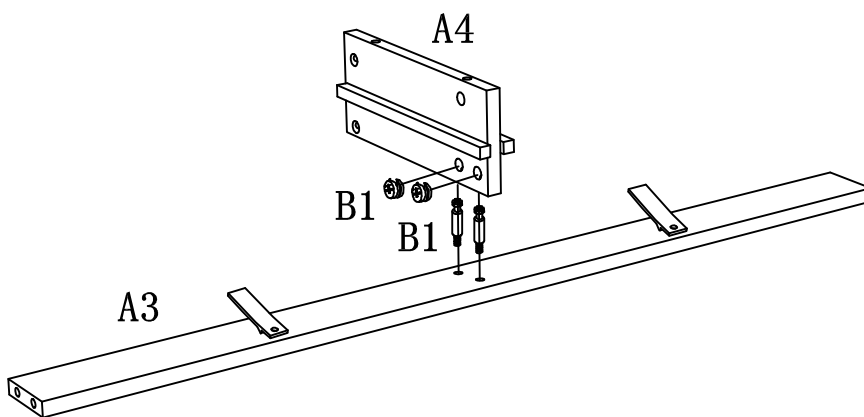
B5:   2SETS



Attach Stoppers B5 to Connect Bar A3 using included Screws.


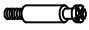
Step 2

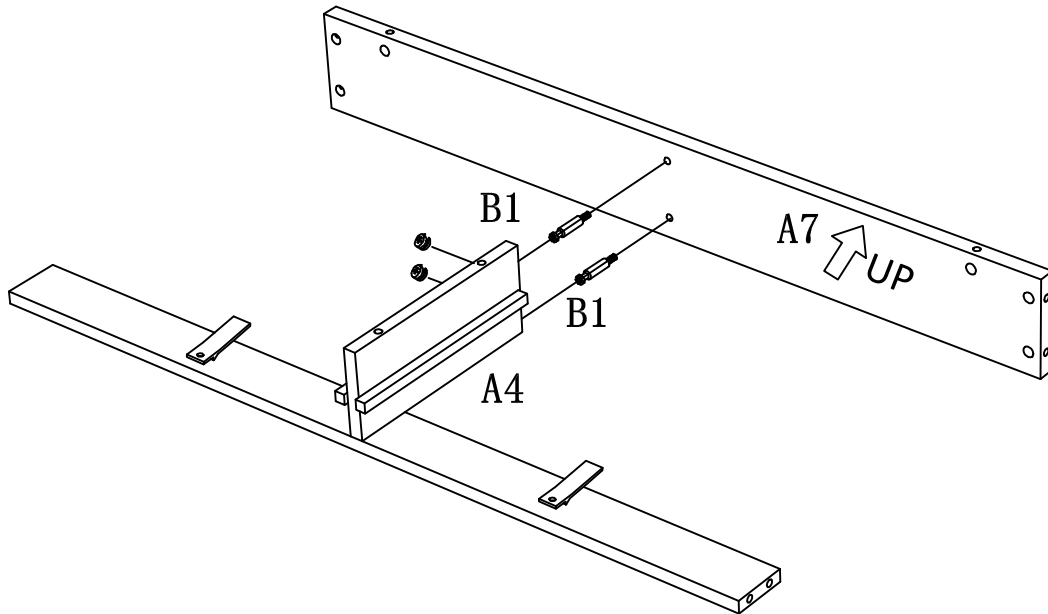
B1:   2SETS



Attach Divider A4 to Connect Bar A3 using Cambolts and Camlocks B1.


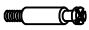
Step 3

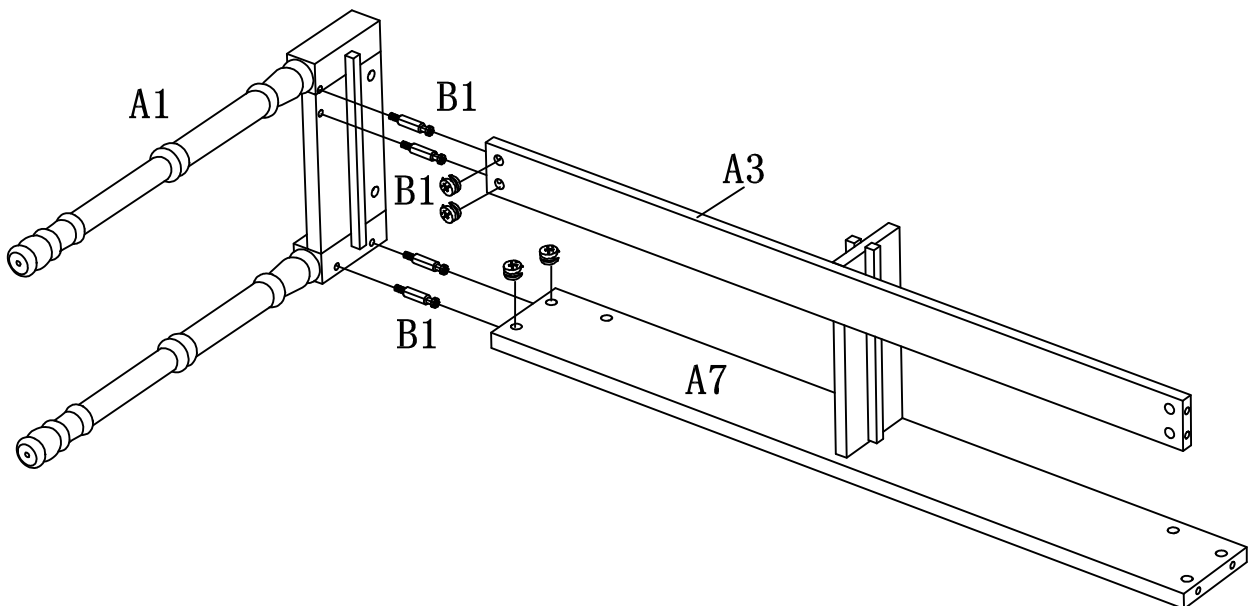
B1:   2SETS



Attach Divider A4 to Back Panel A7 using Cambolts and Camlocks B1.


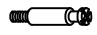
Step 4

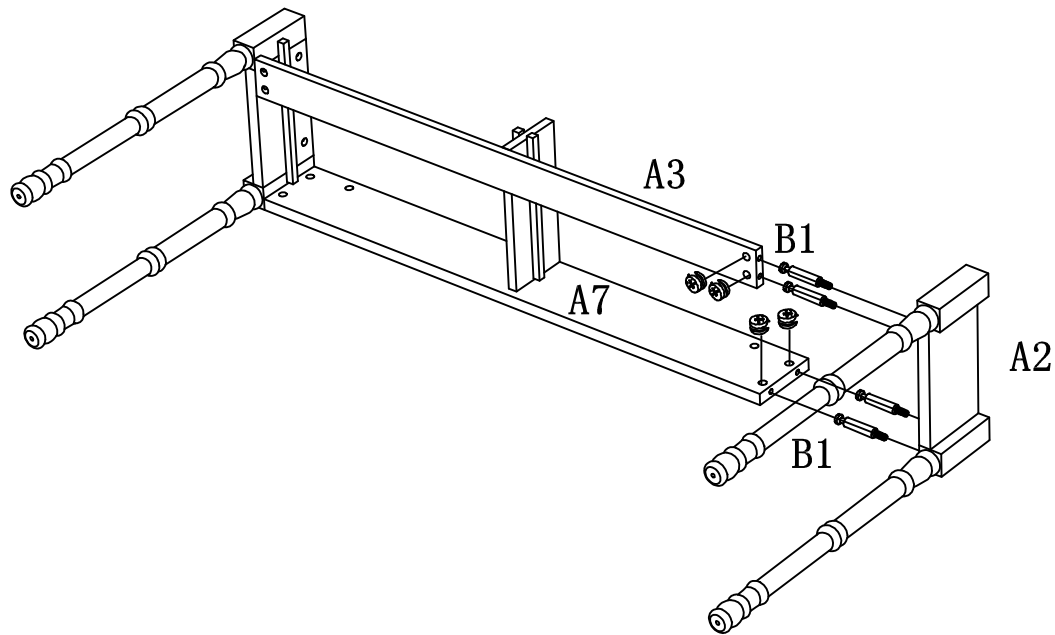
B1:   4SETS



Attach Left Frame A1 to Connect Bar A3 and Back Panel A7 using Cambolts and Camlocks B1.


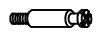

Step 5

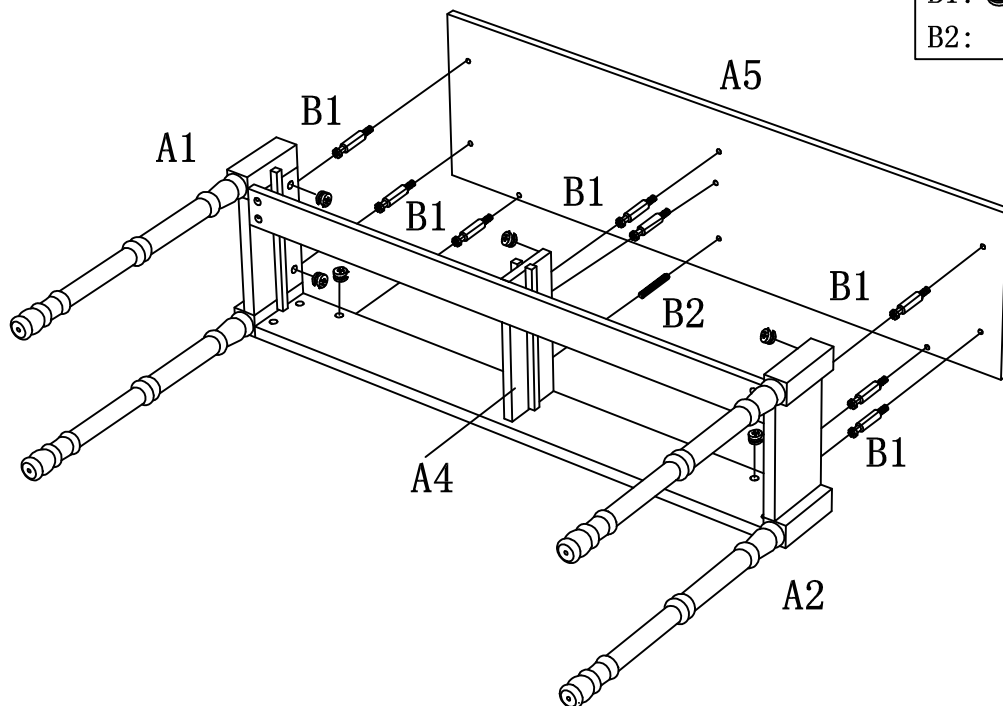
B1:   4SETS



Attach Right Frame A2 to Connect Bar A3 and Back Panel A7 using Cambolts and Camlocks B1.

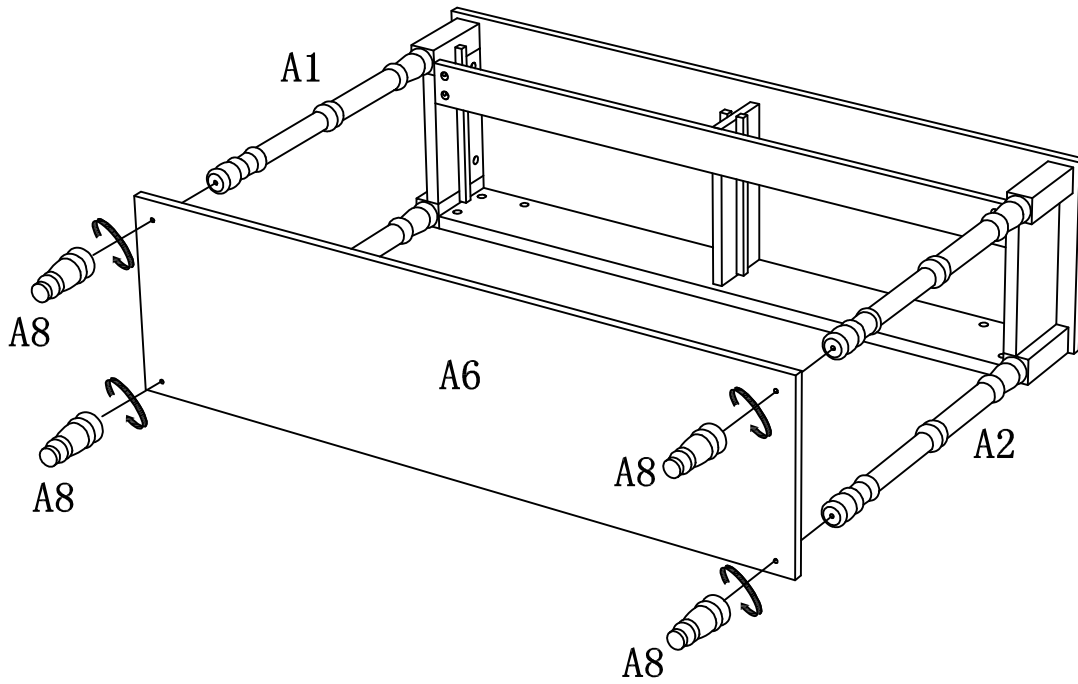
Step 6

B1:   8SETS
B2:  1PC



Attach Top Panel A5 to Divider A4 and Frames A1&A2 (L&R) using Cambolts & Camlocks B1 and Wood Dowel B2.

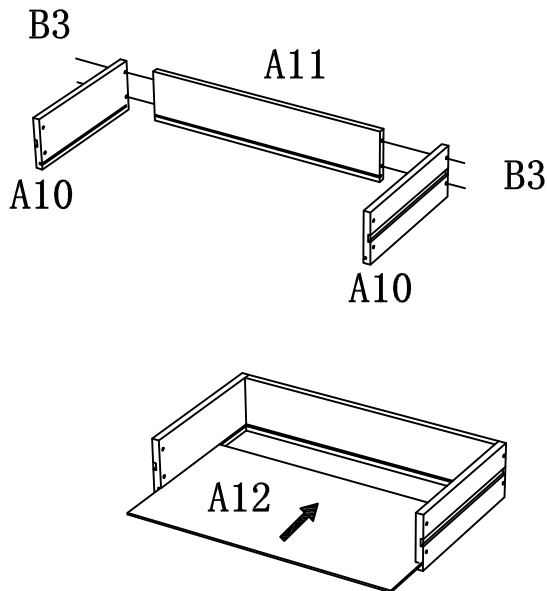
Step 7



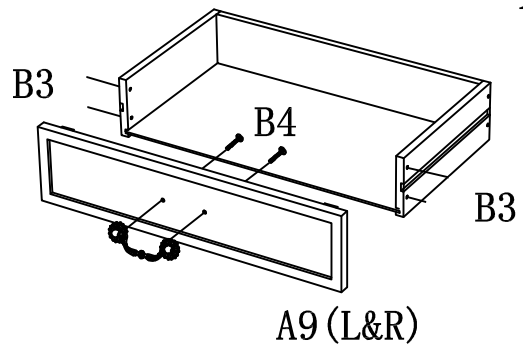
Attach and tighten Legs A8 by inserting the legs through the Bottom Panel A6 and attach it to Frames A1&A2.

Step 8

B3:		16PCS
B4:		2SETS



X2



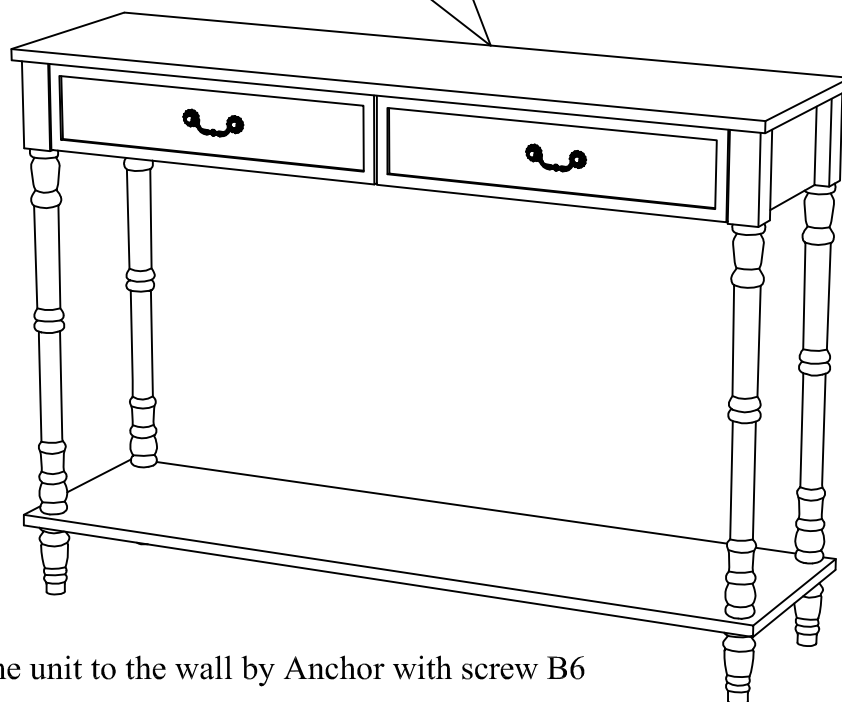
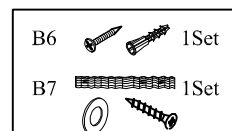
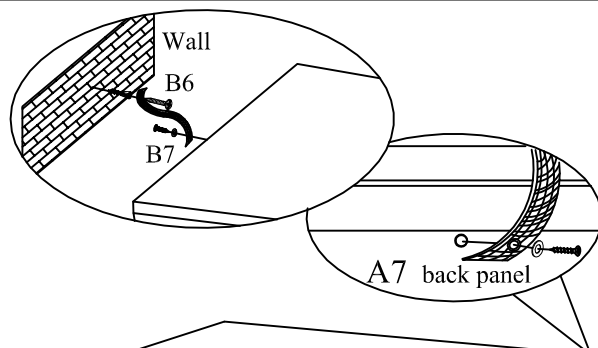
- 1). Assemble Drawer Side Panels A10 to Drawer Back Panel A11 using Screws B3.
- 2). Insert Drawer Bottom Panel A12 into the grooves on the Drawer Side Panels A10 and Drawer Back Panel A11.
- 3). Attach Handle B4 to Drawer Front Panel A9 using included bolts, then attach Drawer Front Panel to Drawer Side Panels A10.

Step 9



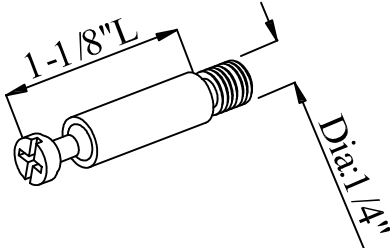
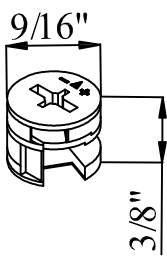
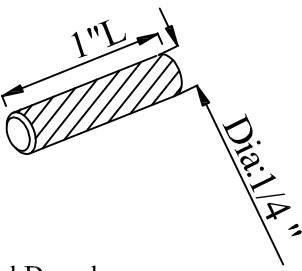
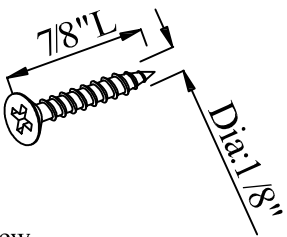
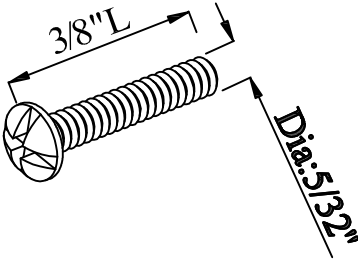
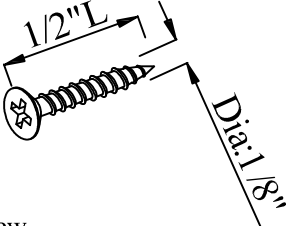
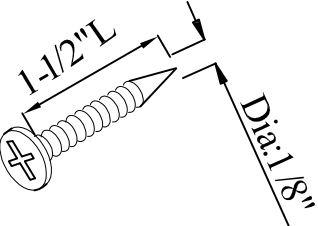
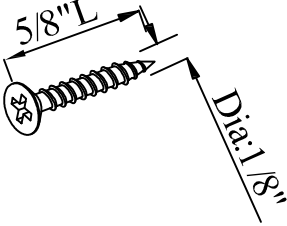
Put drawers into the unit as shown above.

Step 10



For your safety, please attach the unit to the wall by Anchor with screw B6 and Anti-tip kit B7.

APPENDIX: Dimension of Hardwares in this AI.

<p>B1.</p>  <p>Cambolt</p>	<p>B1.</p>  <p>Camlock</p>	<p>B2.</p>  <p>Wood Dowel</p>
<p>B3.</p>  <p>Screw</p>	<p>B4.</p>  <p>Bolt</p>	<p>B5.</p>  <p>Screw</p>
<p>B6.</p>  <p>Screw</p>	<p>B7.</p>  <p>Screw</p>	



WARNING:

**Serious or fatal crushing injuries can occur from furniture tip-over.
To help prevent tip-over:**

- Place heaviest item in the lowest drawers.
- Unless specifically designed to accommodate, do not set TVs or other heavy objects on top of this product.
- Never allow children to climb or hang on drawers, doors or shelves.
- Never open more than one drawer at a time. (OR)
- Do not defeat or remove the drawer interlock system.

Use of tip-over restraints may only reduce, but not eliminate the risk of tip-over.