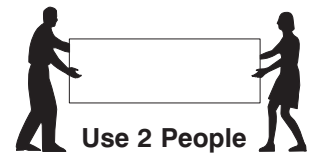
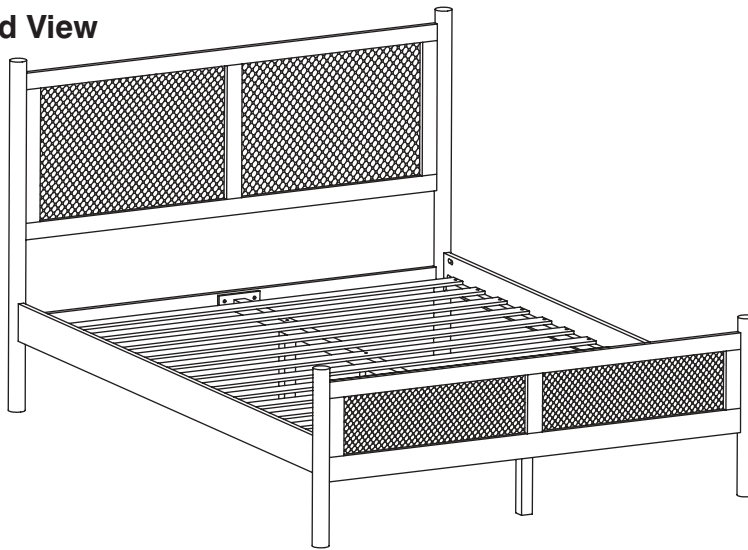


0224-1 Queen Bed

Assembly Instructions

WI-0324

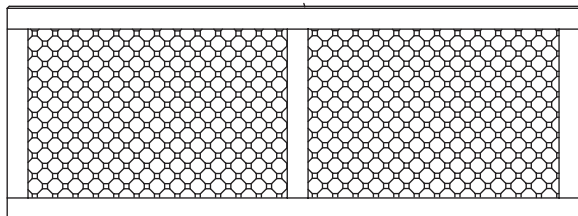
1 Assembled View



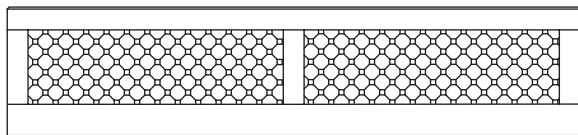
Note: Do not assemble using power tools. This can cause the bolts to be overtightened

2 Parts List

Parts in Box A:



A Headboard Panel
x 1

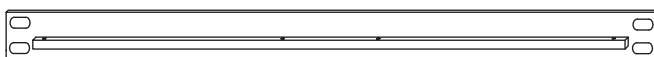


B Footboard Panel
x 1

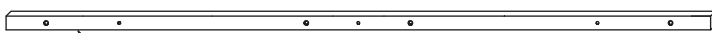


C Headboard Support x 1

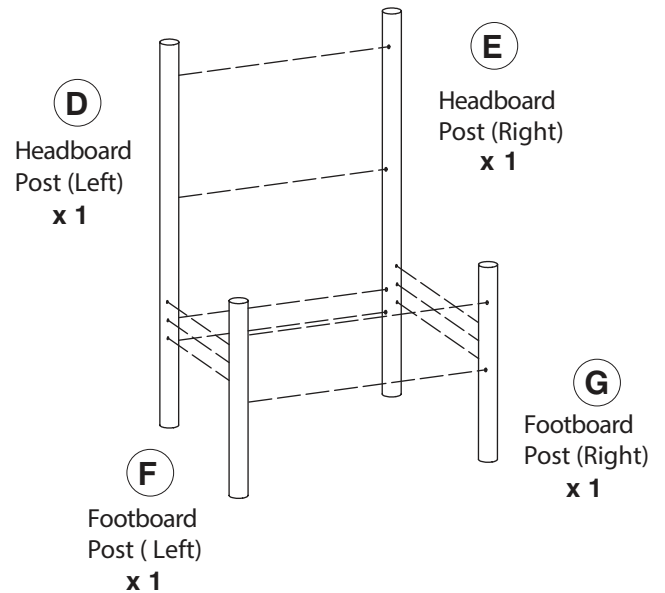
Parts in Box B:



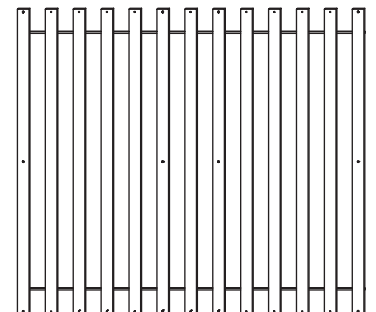
H Side Rail x 2



J Long Support x 1



K Support Leg
x 3



L Set of Bed Slats
x 1

0224-1 Queen Bed

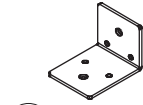
Assembly Instructions

WI-0324

3 Hardware List



1 M4 Allen Key
x 1



2 Center Rail
Bracket x 2



3 Adjustable
Foot x 3



4 Wood Screw
(M4 x 32mm) x 18



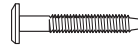
5 Wood Dowel
(10 x 40mm) x 4



6 Barrel Nut
x 3



7 M6 x 15mm
JCB x 4

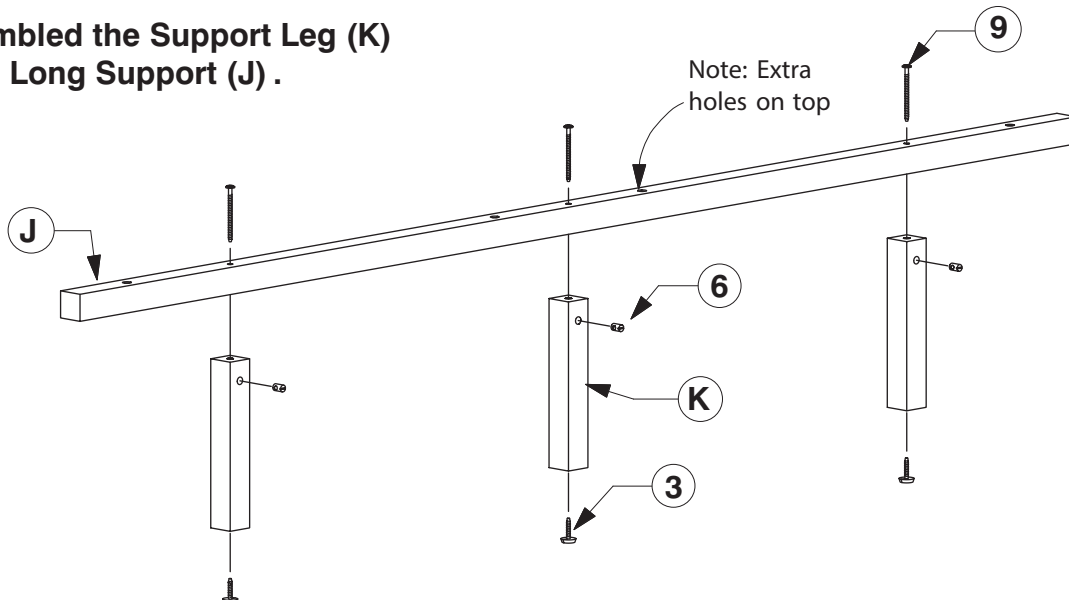


8 M6 x 40mm
JCB x 32

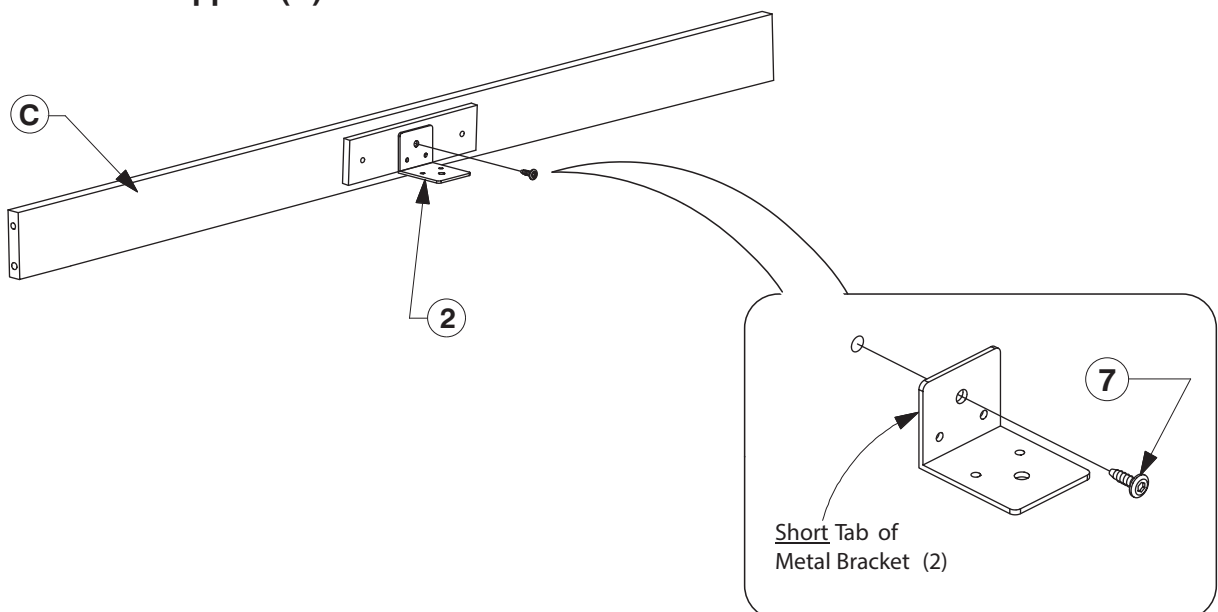


9 M6 x 90mm JCB
x 3

4 Assembled the Support Leg (K) to the Long Support (J).



5 Fit the Center Rail Bracket (2) to the Headboard Support (C).

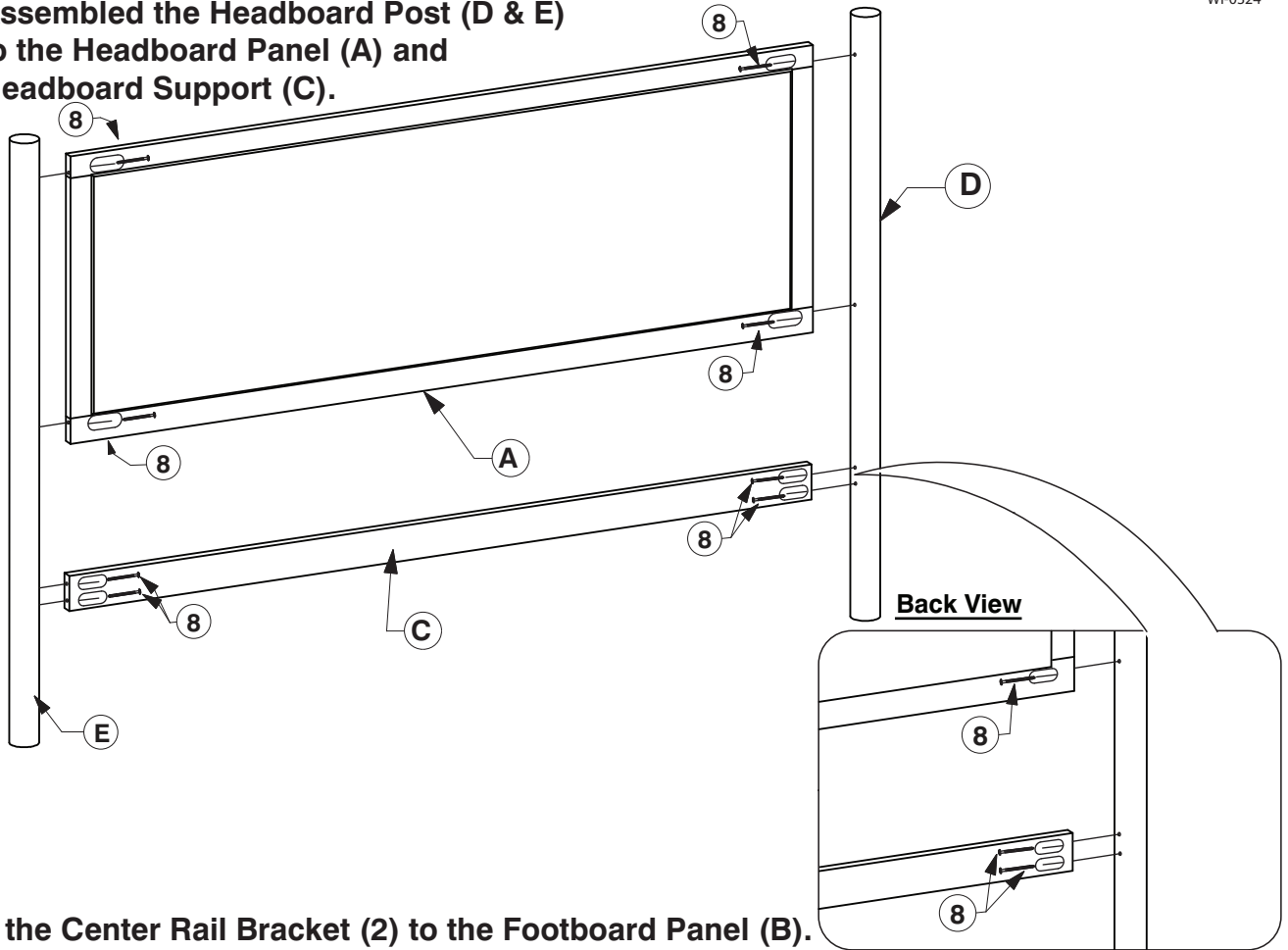


0224-1 Queen Bed

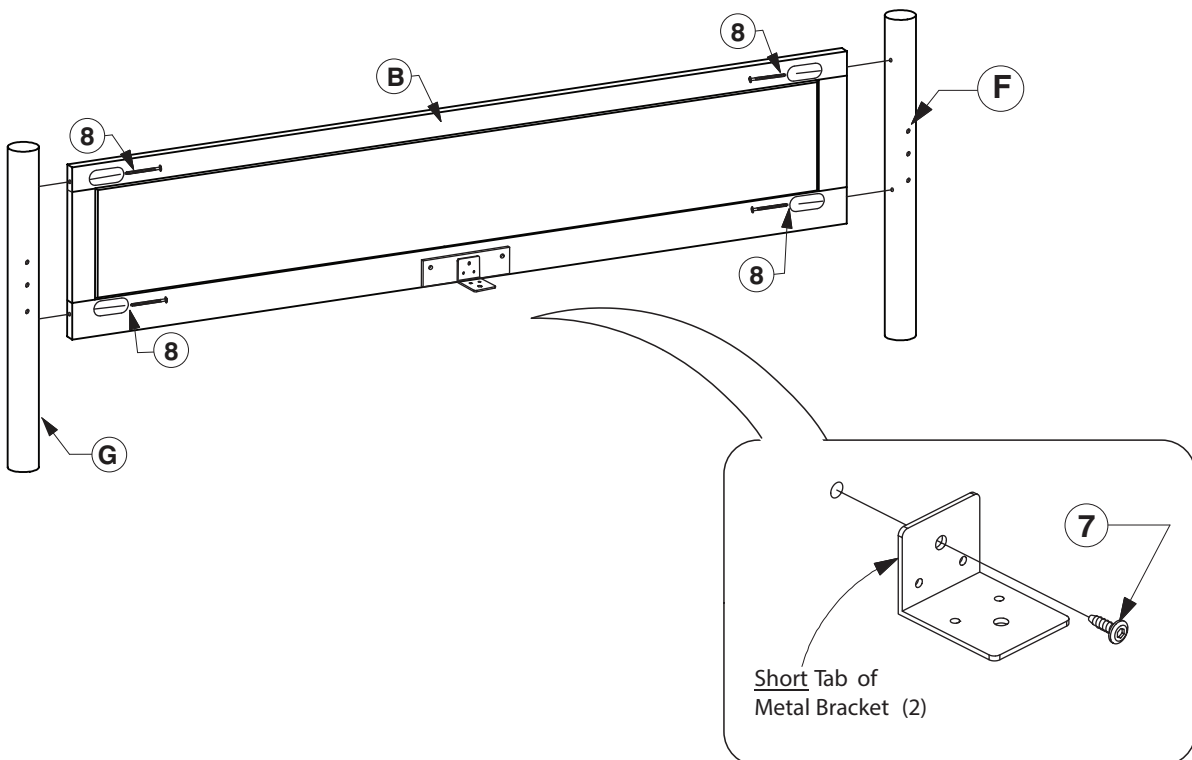
Assembly Instructions

WI-0324

- 6** Assembled the Headboard Post (D & E) to the Headboard Panel (A) and Headboard Support (C).



- 7** Fit the Center Rail Bracket (2) to the Footboard Panel (B). Assembled the Footboard Post (F & G) to the Footboard Panel (B).

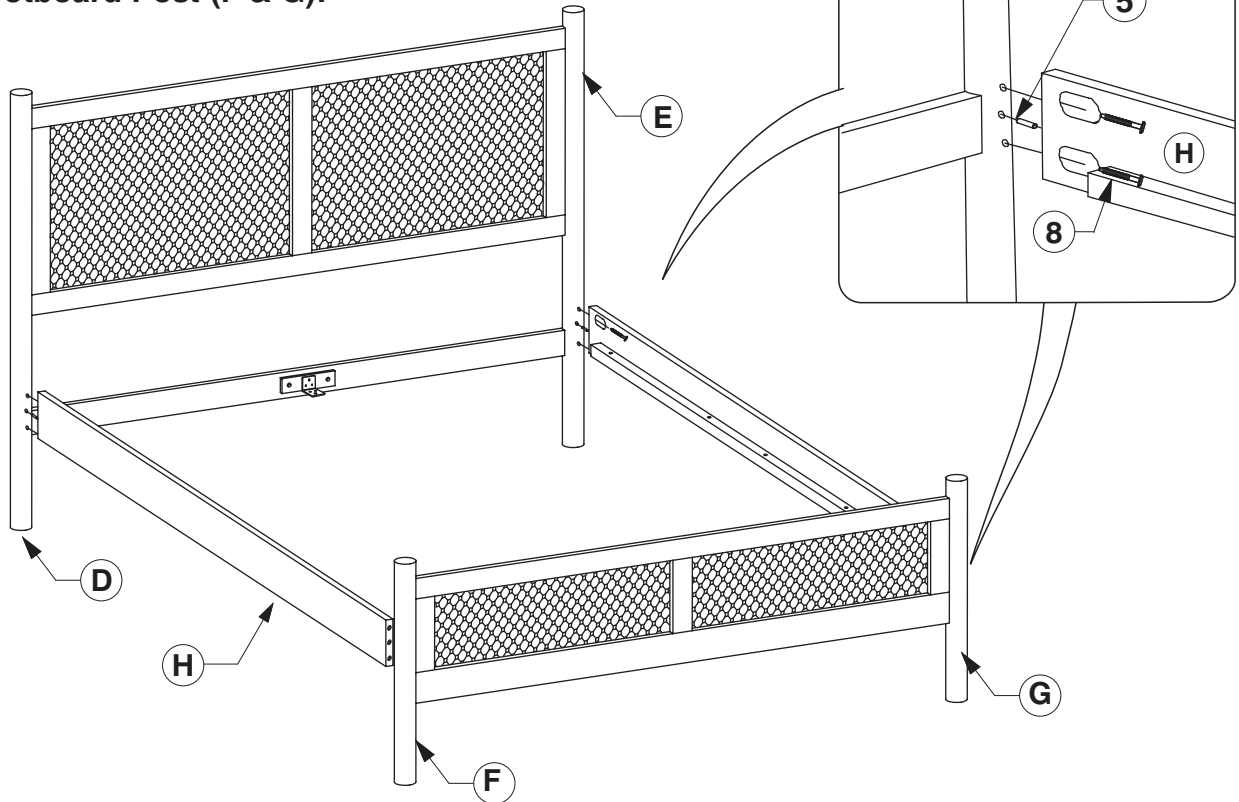


0224-1 Queen Bed

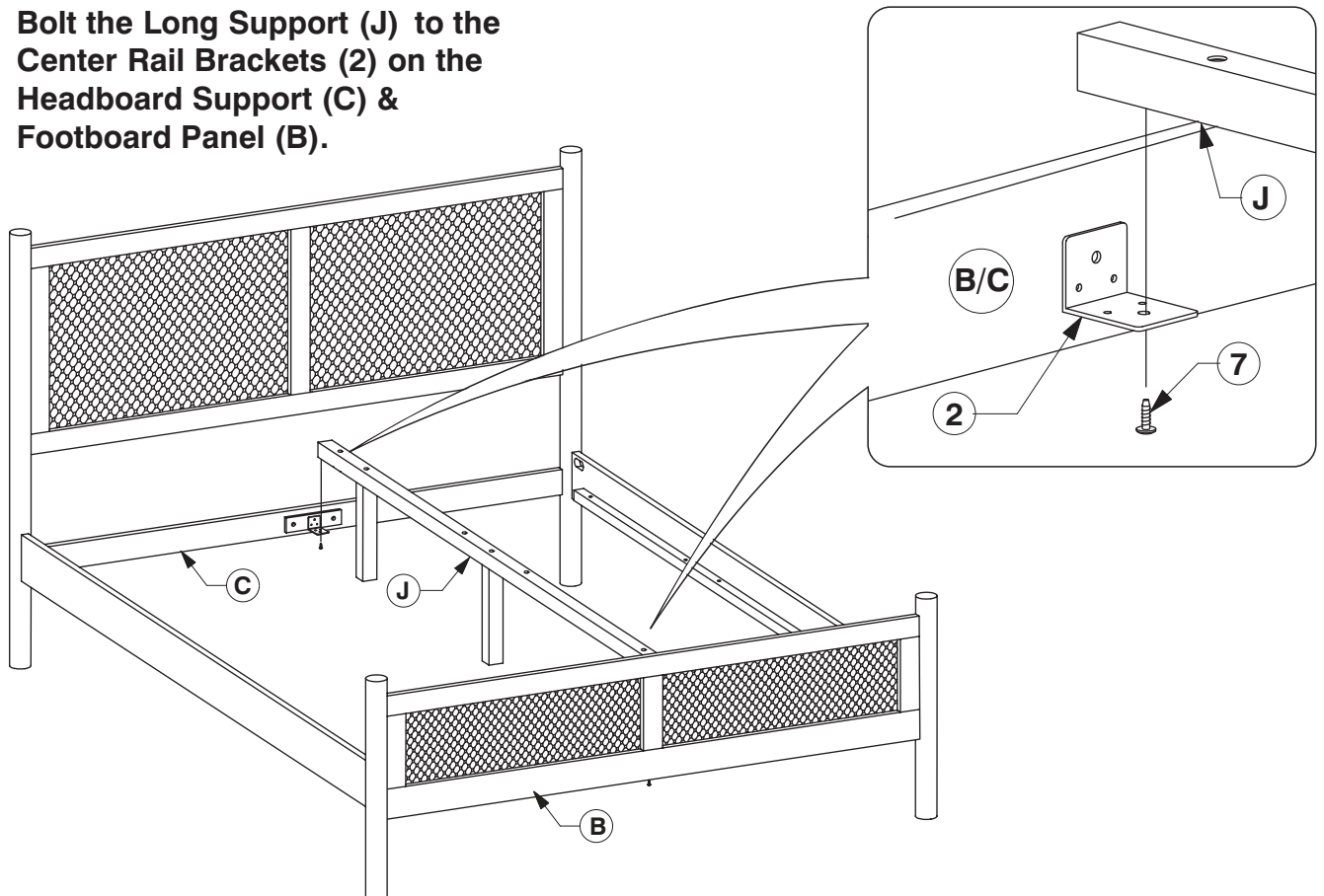
Assembly Instructions

WI-0324

- 8** Assemble the Side Rail (H) to the Headboard Post (D & E) & Footboard Post (F & G).



- 9** Bolt the Long Support (J) to the Center Rail Brackets (2) on the Headboard Support (C) & Footboard Panel (B).



0224-1 Queen Bed

Assembly Instructions

WI-0324

10 Bolt & screw the Bed Slats (L) to the Side Rail (H).

