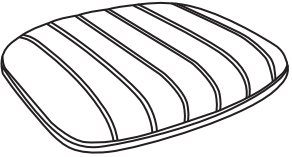
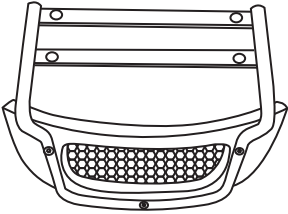
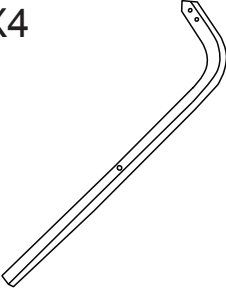

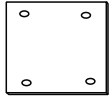
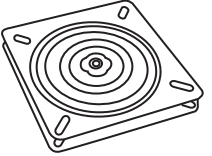
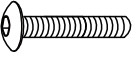
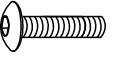
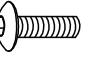



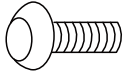
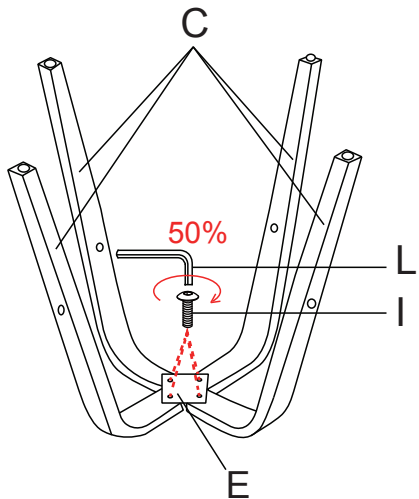


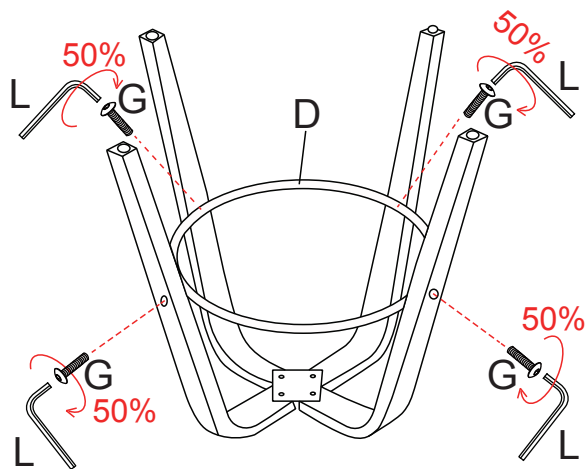
<p>AX1</p> 	<p>BX1</p> 	<p>CX4</p> 	<p>DX1</p> 	<p>EX1</p> 	<p>FX1</p> 	
<p>GX4+1Ext</p>  <p>M6X30mm</p>	<p>HX2+1Ext</p>  <p>M6X25mm</p>	<p>IX14+1Ext</p>  <p>M6X20mm</p>	<p>JX2</p>  <p>PLASTIC WASHER</p>	<p>KX6+1Ext</p>  <p>PLASTIC CAP</p>	<p>LX1</p>  <p>M6</p>	<p>MX1</p>  <p>SPARE FOOTNAIL</p>

1



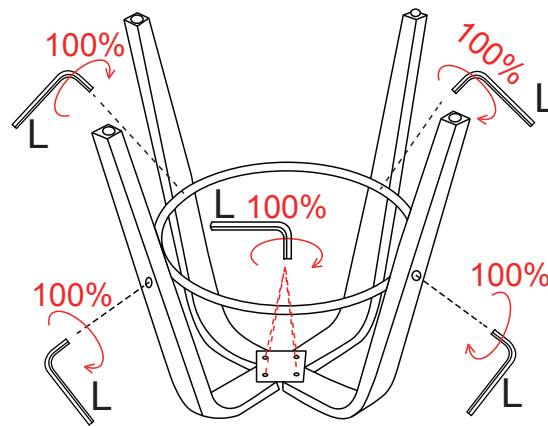
Note: Do NOT tighten the screws(I) in step 1

2



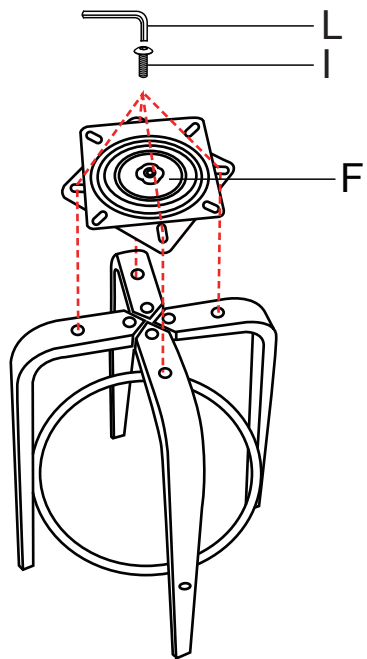
Note: Do NOT tighten the screws(G) in step 2

3

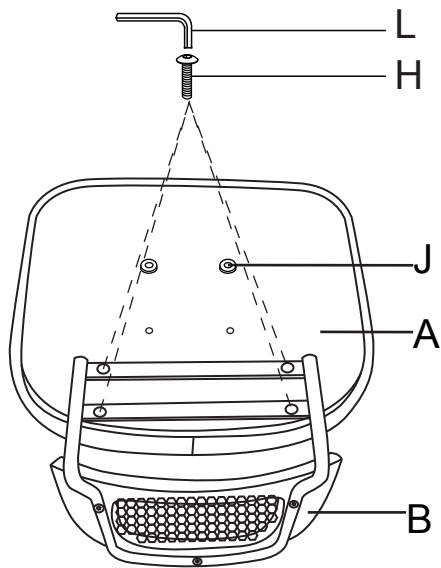


Note: Tighten the screws(I) and screws(G) in step 3

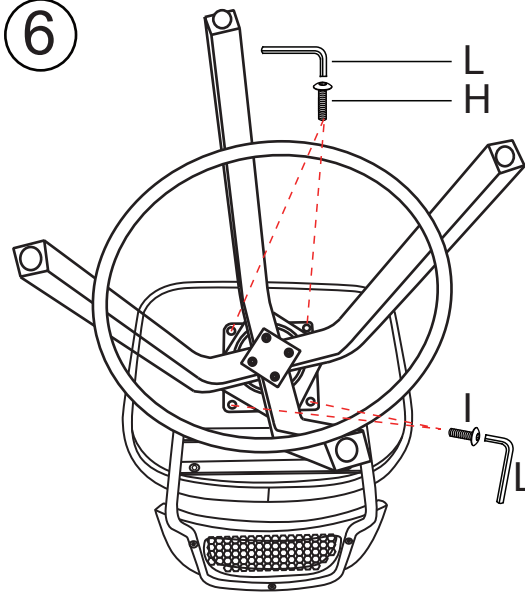
4



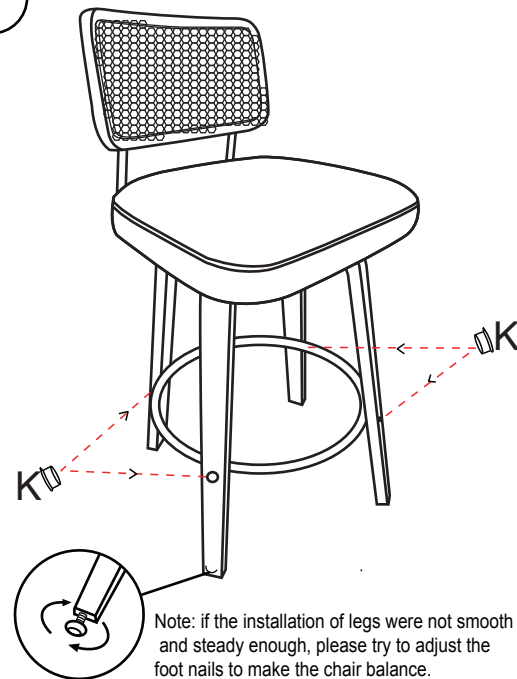
5



6



7



Note: if the installation of legs were not smooth and steady enough, please try to adjust the foot nails to make the chair balance.