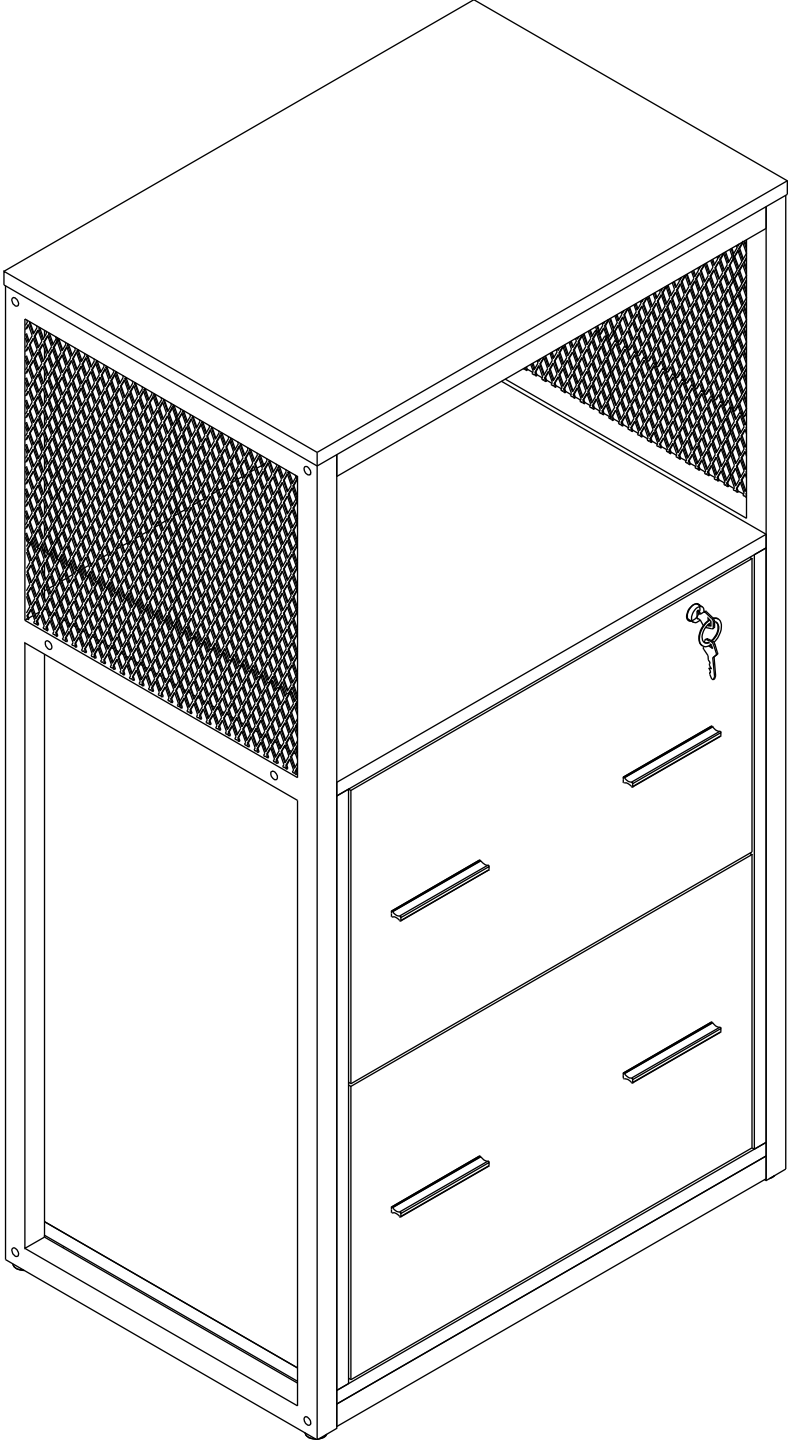


HOGA-C0341/HOGA-C0342

File Cabinet



Thanks for purchasing one of our products, please read carefully the assembly instructions before the installation (Attention: Do not tighten the screws before all screws are in place). THIS INSTRUCTION BOOKLET CONTAINS IMPORTANT SAFETY INFORMATION. PLEASE READ AND KEEP FOR FUTURE REFERENCE.

PART NO.	PARTS	QTY
①		X1
②		X1
③		X1
④		X1
⑤		X2
⑥		X1
⑦		X2
⑧		X1
⑨		X1
⑩		X2

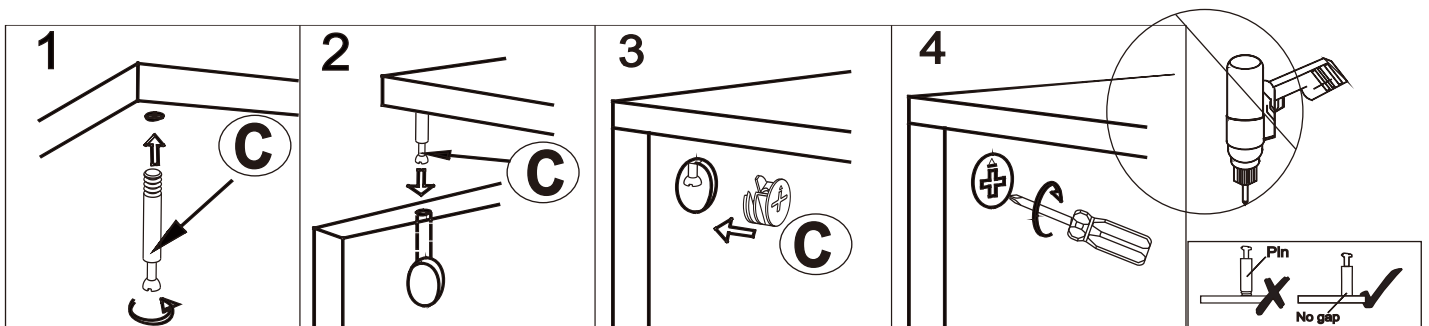
PART NO.	PARTS	QTY
⑪		X2
⑫		X2
⑬		X2
⑭		X2
⑮		X4
⑯		X2
⑰		X4
⑱		X4
⑲	14"	X4

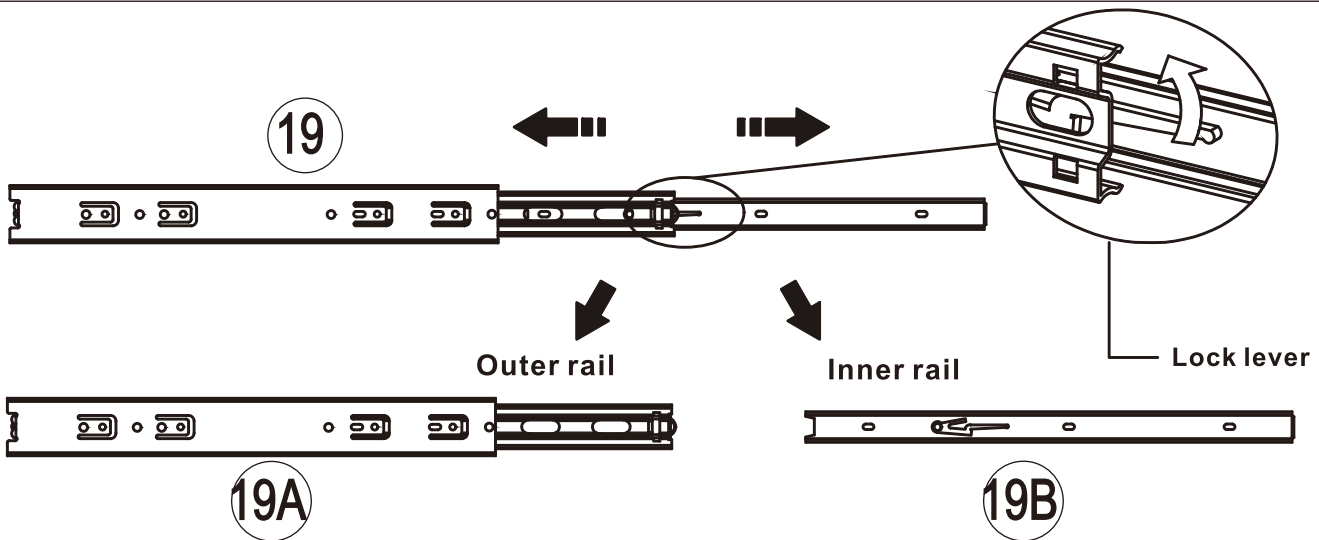
PART NO.	QTY.	PARTS	
A	4	M6X50mm	
B	16	M6X35mm	
C	20	M6X44mm	
D	12	M5X38mm	
E	10	M4X28mm	
F	8	4x18mm	
G	4	3.5x20mm	

PART NO.	QTY.	PARTS	
H	30	3.5x14mm	
I	4	109X16X8	
J	1		
K	4	Ø6.2x16mm	
L	4	M6x10xH7mm	
M	1		
N	6		

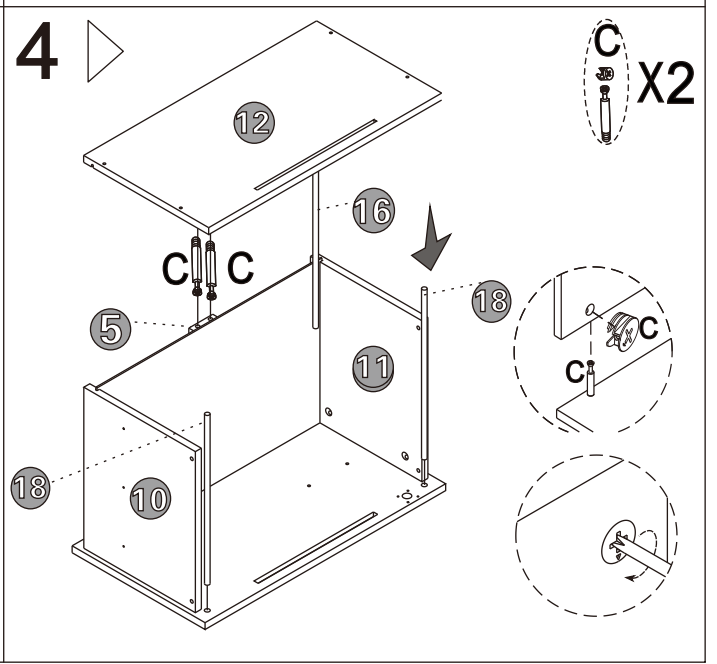
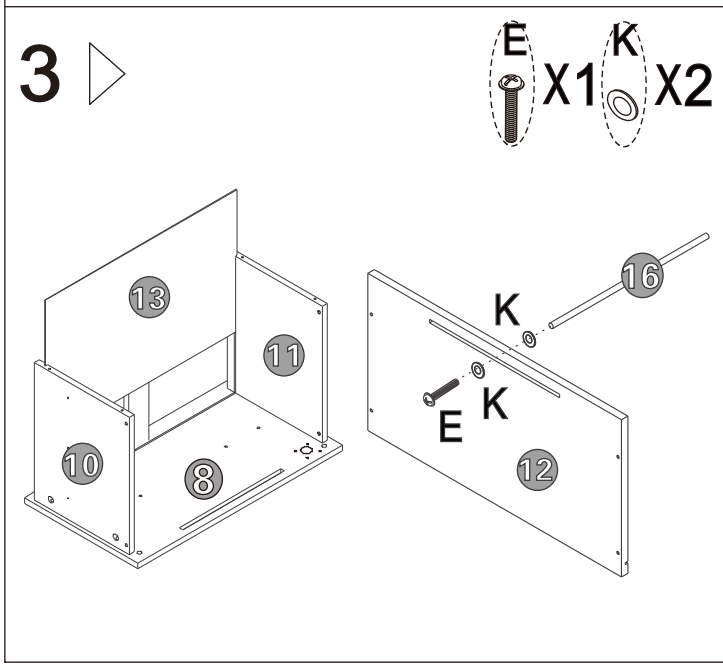
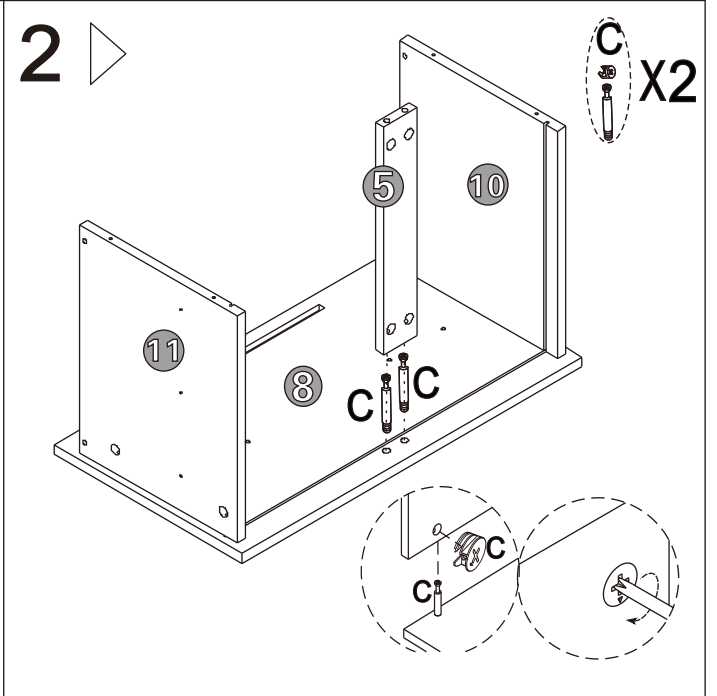
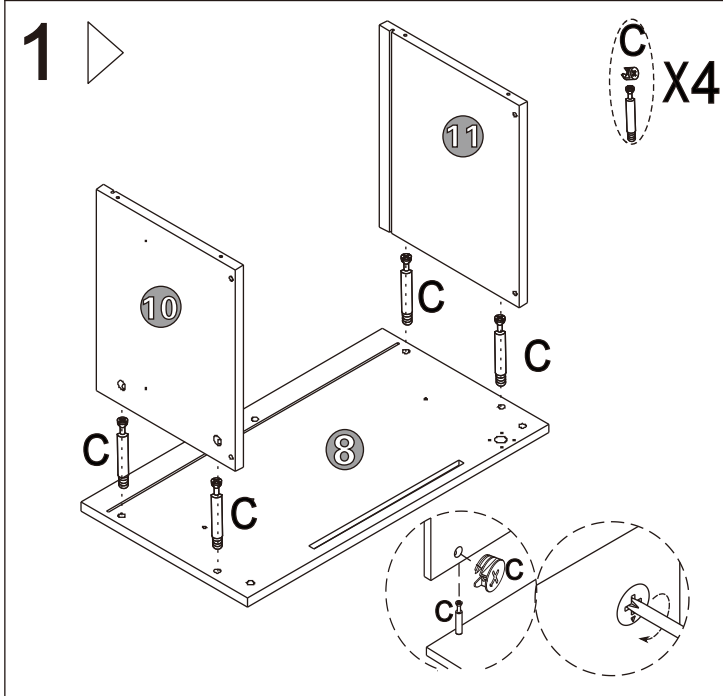
Installation of Cams and Pins :

Screw the Pin into hole. To set Cams correctly, ensure the arrow on the Cam opening to the hole of the Pin it is locking. Lock Cam by turning Cam head with screwdriver to be tighten. Please don't use an electric screwdriver to assemble the unit.

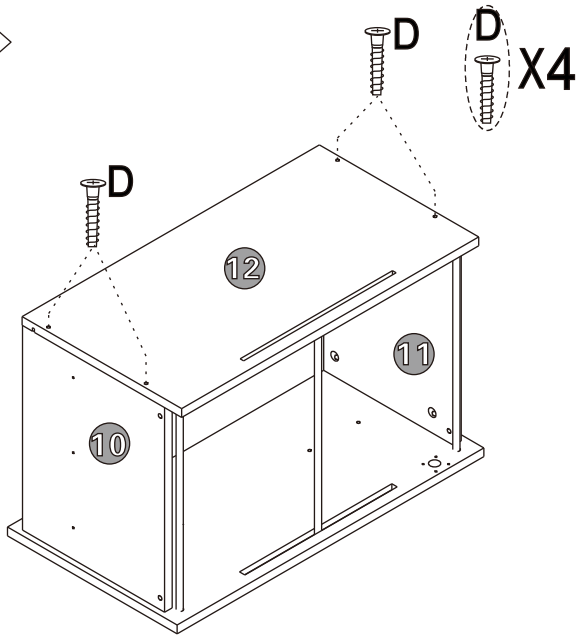




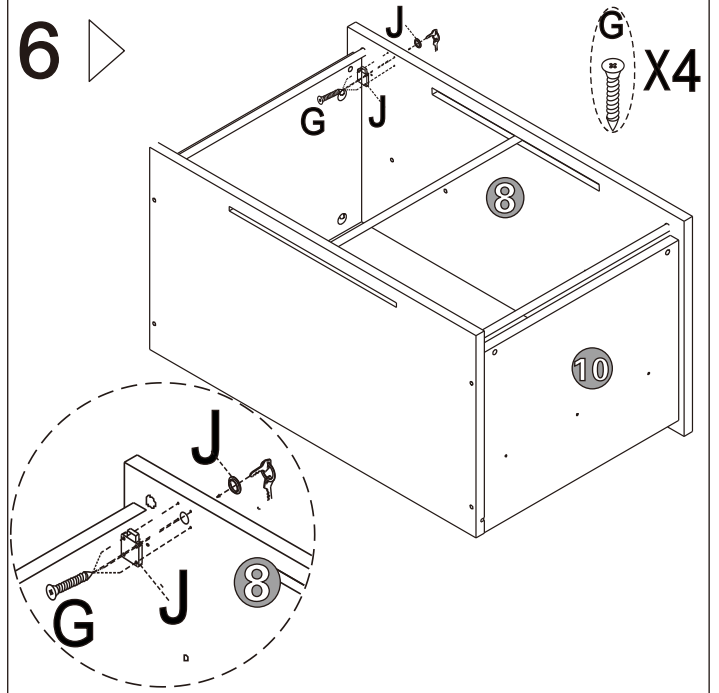
Soft Reminder: Before installing the drawer slides, you need to disassemble it into two parts. The outer guide 19A is installed on the inside of the cabinet; the inner guide 19B is installed on the outside of the drawer;



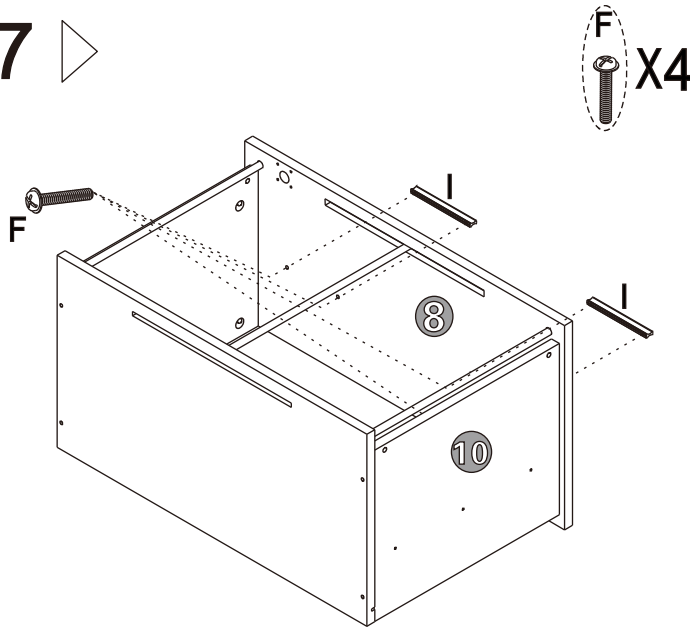
5 ▶



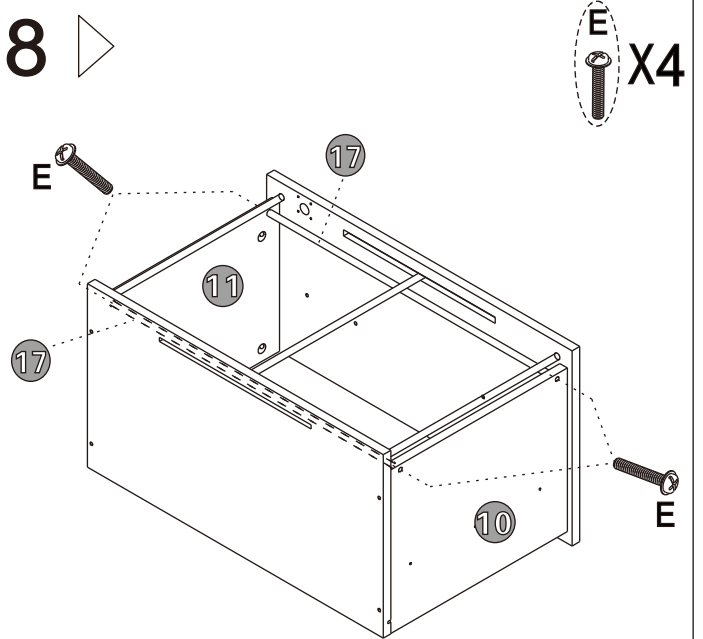
6 ▶



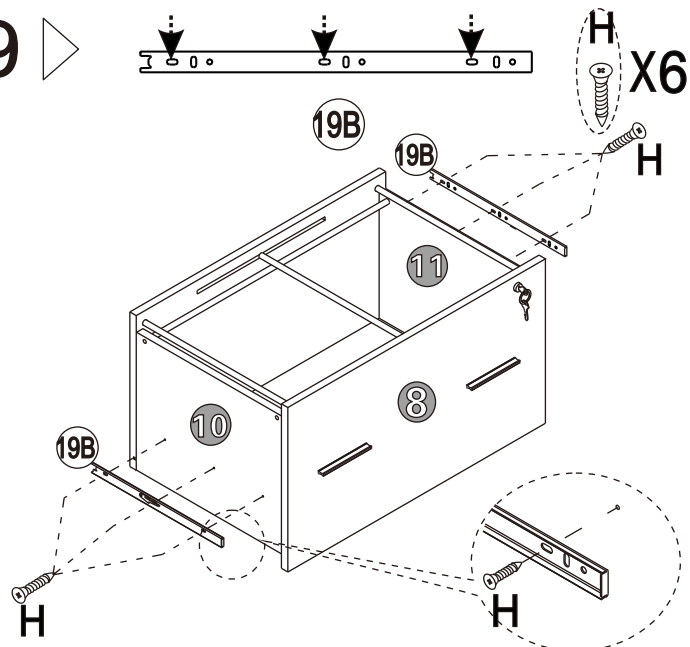
7 ▶



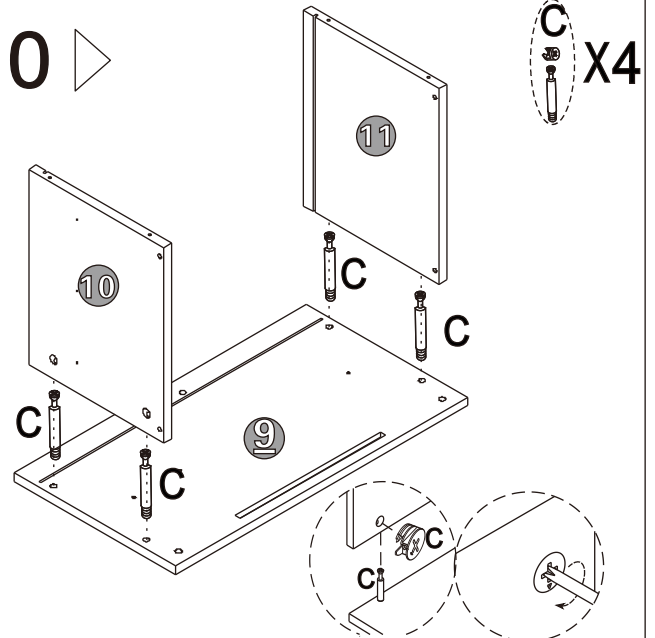
8 ▶



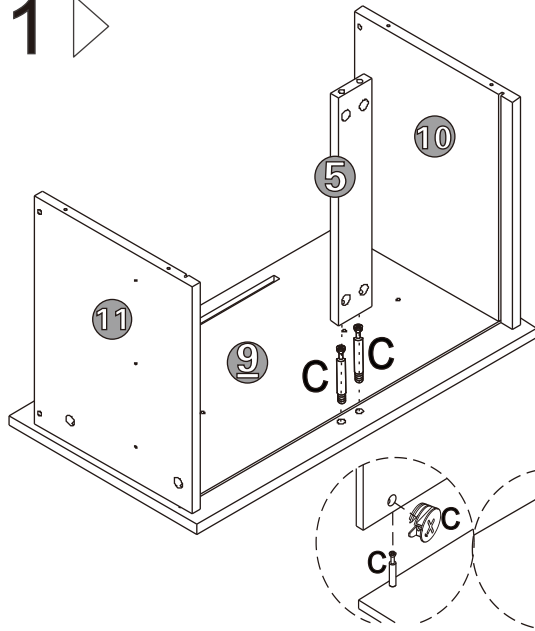
9 ▶



10 ▶

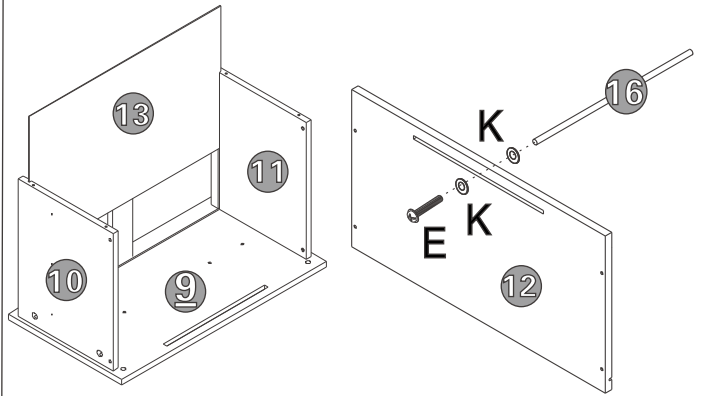


11 ▶



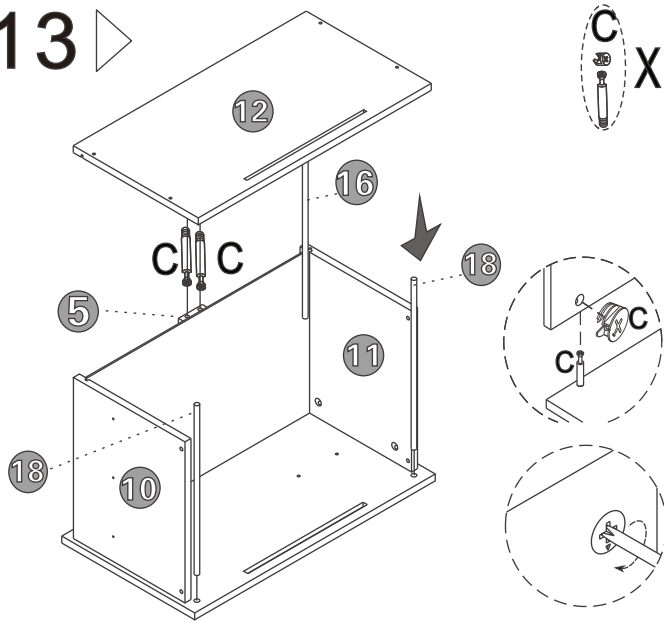
C X2

12 ▶



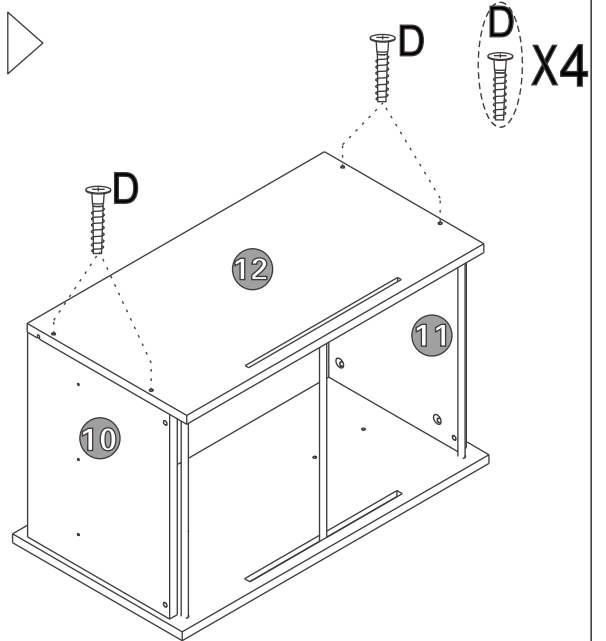
E X1 K X2

13 ▶



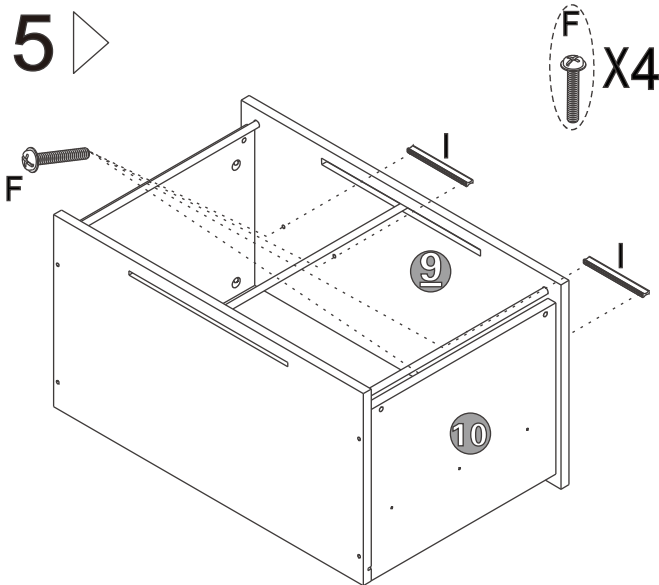
C X2

14 ▶



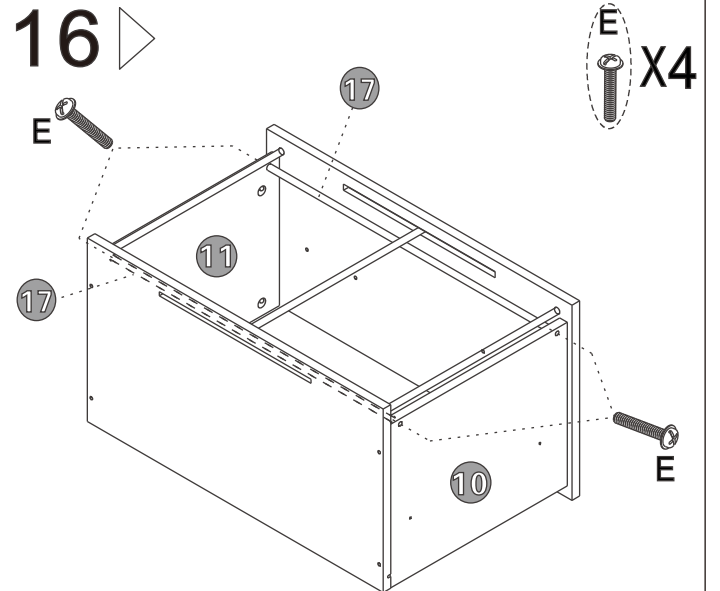
D X4

15 ▶

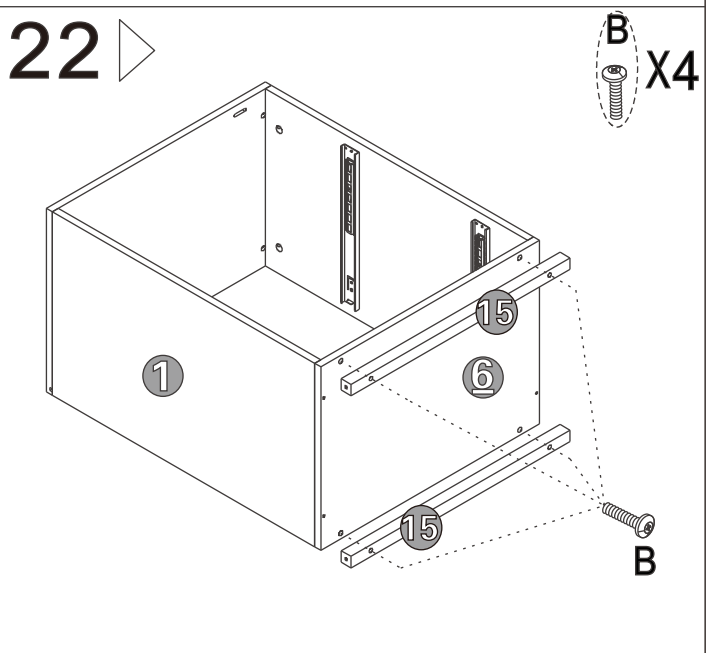
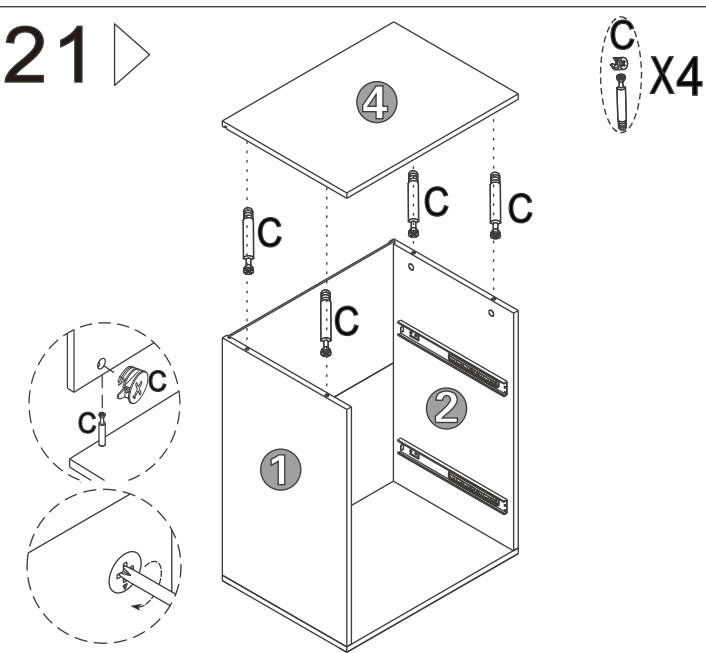
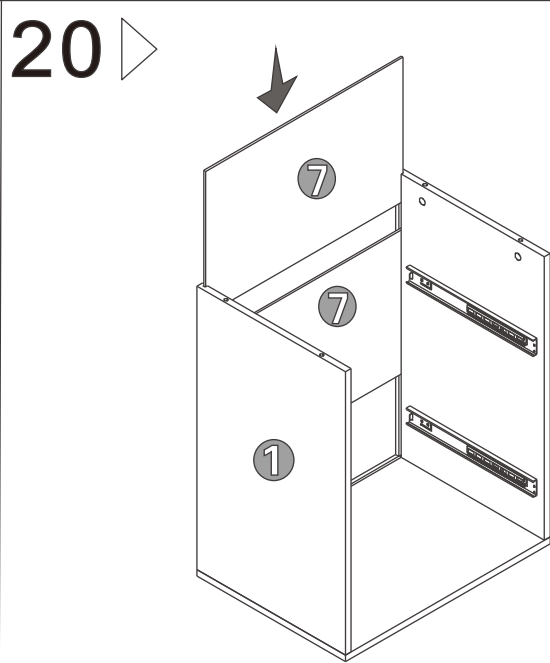
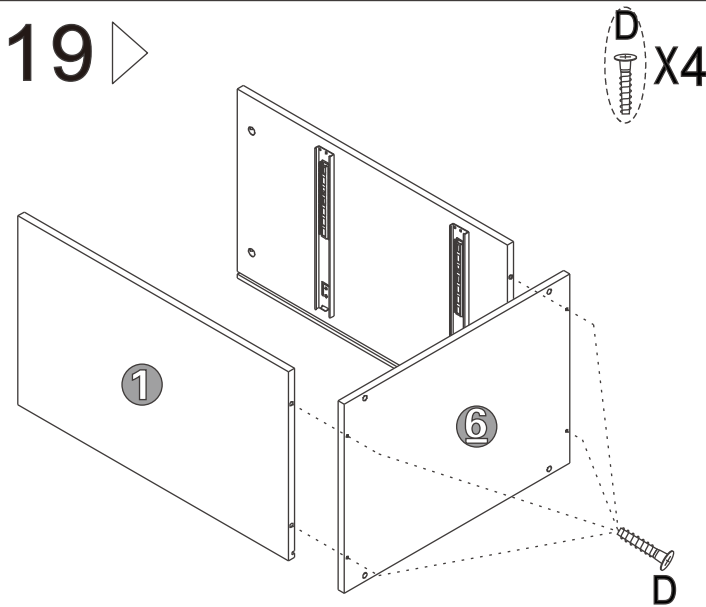
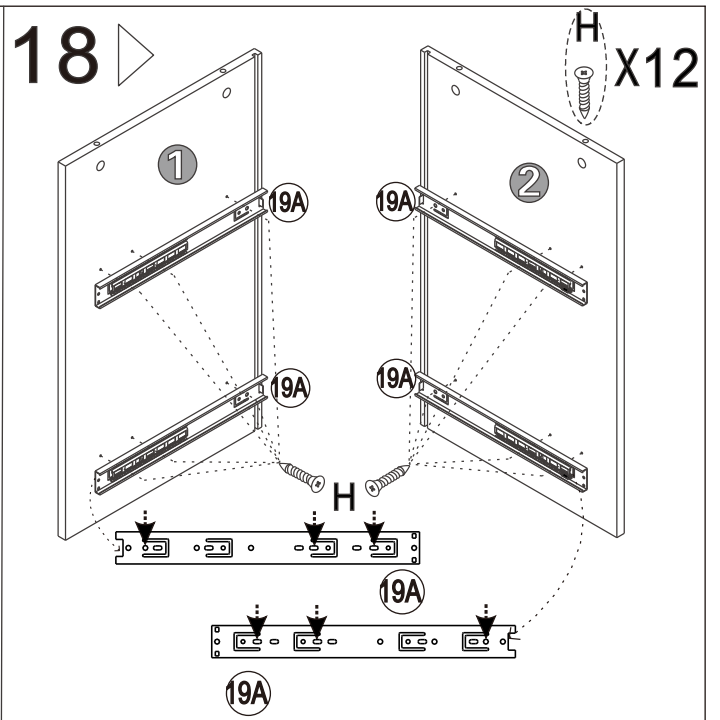
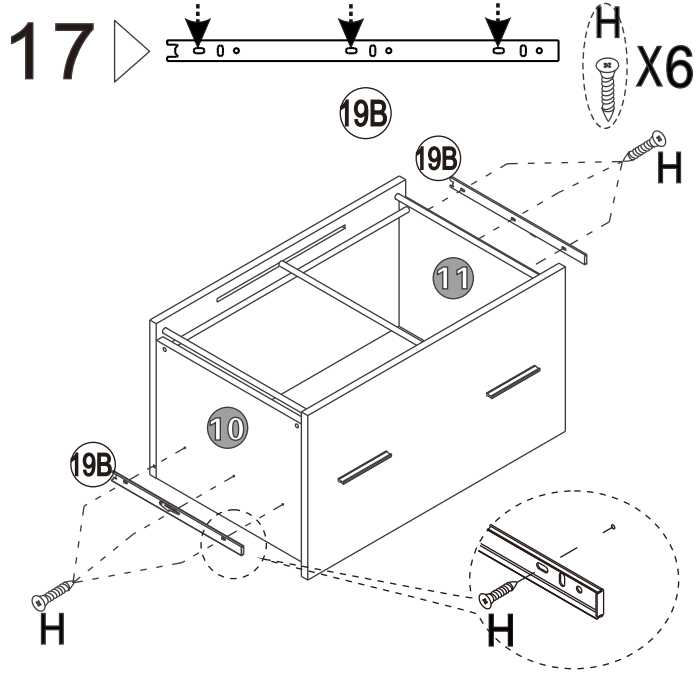


F X4

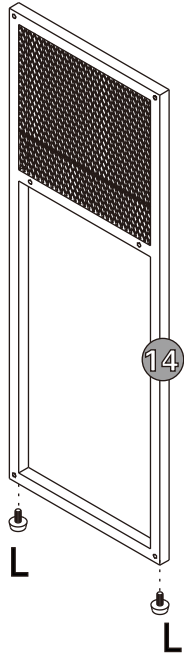
16 ▶



E X4

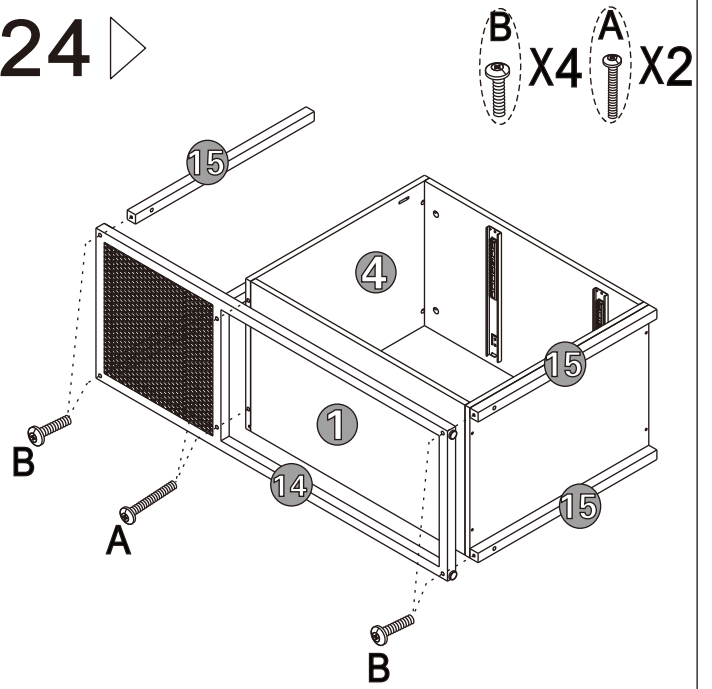


23 ▶

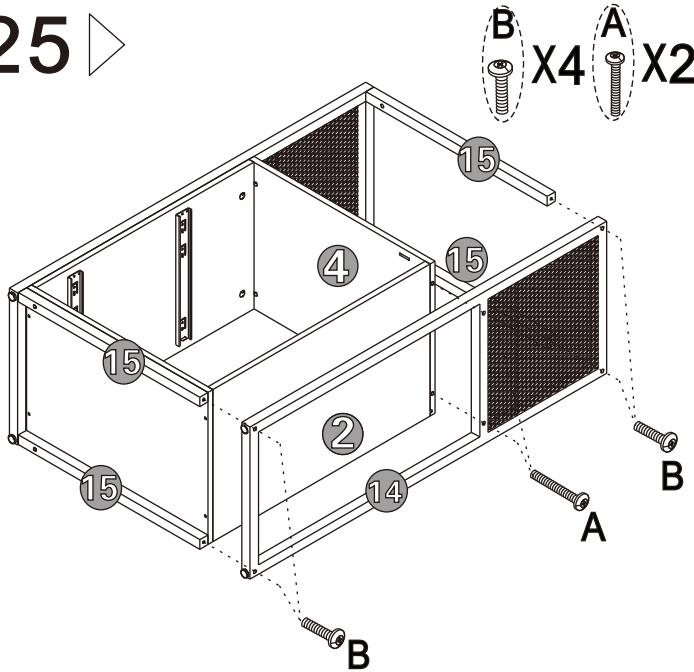


X2

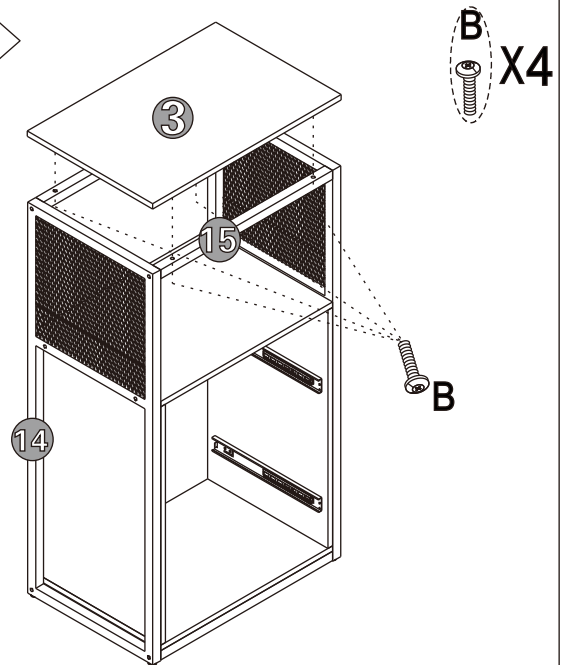
24 ▶



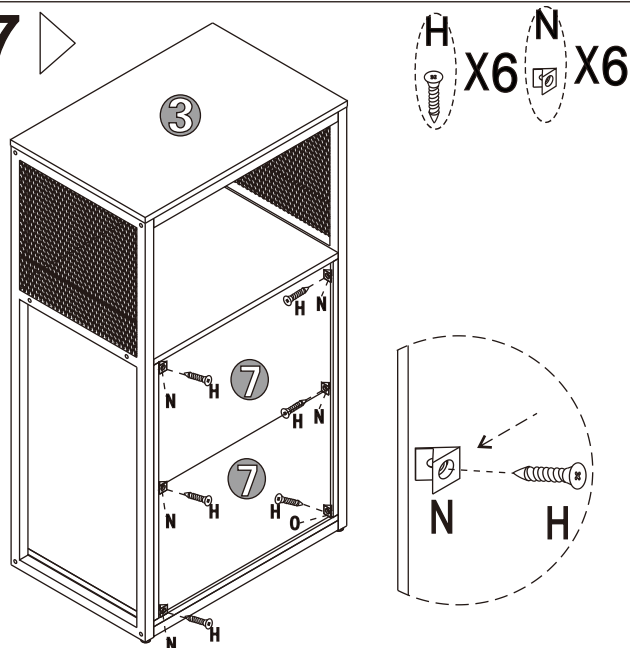
25 ▶



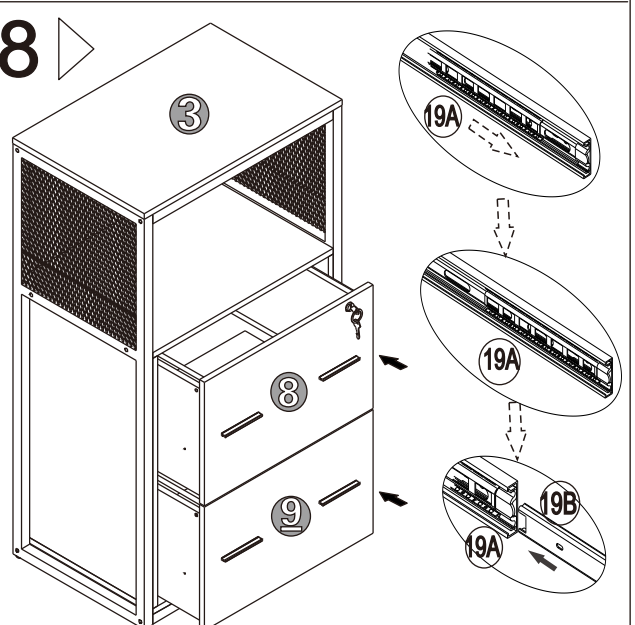
26 ▶



27 ▶



28 ▶





No heartburn, when we handle the return

Give us or shoot us a message,
we will arrange you a free
replacement with zero hassle

Our way



Give us a Email



Replacement



You

support@tribesigns.com

Their way



Re-package item



Schedule pick-up



Track package



Replacement



You

We really don't want you to go through the hassle of re-packaging your item
and sending it back, because let's be honest...nobody has time for that.