

Assembly Instruction Sheet

product cleaning tips. Go to the **Care + Maintenance** selection.

Tools Required: Flathead screwdriver, Phillips screwdriver, pliers, wire cutters, wire strippers, electrical tape, safety glasses.

Light Source: (5) G9 Base Clear G9 Xenon Bulbs 40W Maximum (supplied).

Estimated Assembly Time: 20-30 minutes

Preparation: Identify and inspect all parts before beginning installation. Check package content list and diagrams below to be sure all parts are present. If any parts are missing or damaged, do not attempt to assemble, install, or operate the fixture. Contact customer service for replacement parts.

⚠ Warnings and Cautions

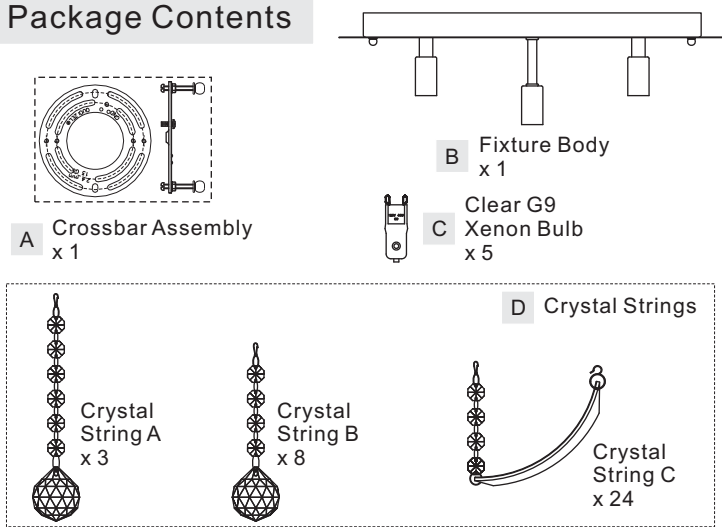
Turn off electricity at circuit breaker or main fuse box before installation. Consult a licensed electrician if in doubt.

These instructions are provided for your safety. It is very important you read them completely before installing the fixture. We strongly recommend that a licensed, professional electrician perform the installation.

Disconnect fixture from power source before replacing bulbs. Make sure bulbs are given sufficient time to cool before removal.

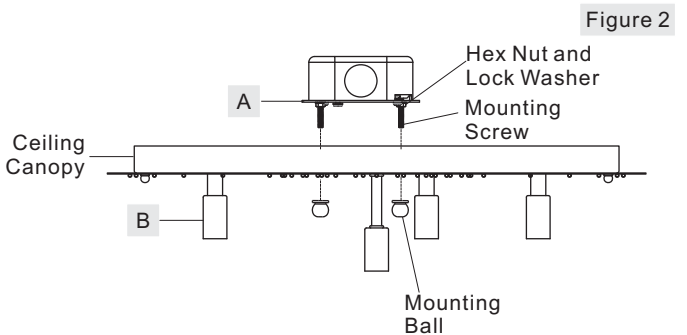
Do not touch the bulb with bare hands use a cloth or glove.

Package Contents



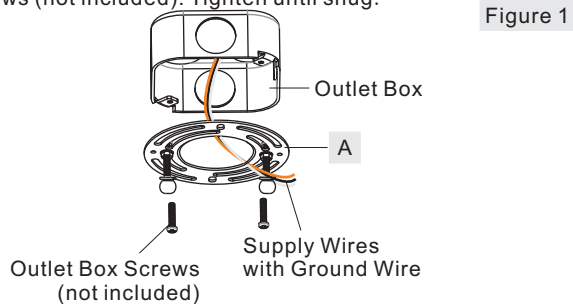
(Step 2 Continued)

the preassembled hex nut and lock washer and then screwing the mounting screws in or out of the crossbar until the correct length is achieved. Once the Fixture Body (B) is secure, remove the mounting ball and Fixture Body (B) and proceed to Step 3.



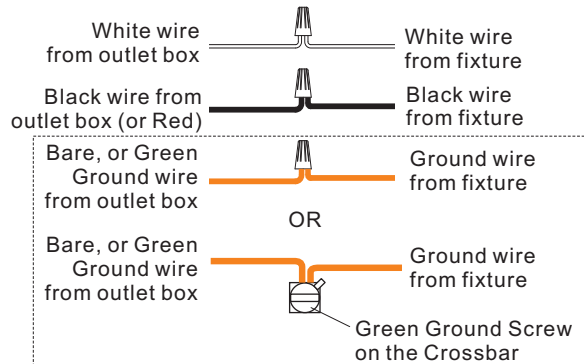
STEP 1 - Install Crossbar Assembly

A. Pass the supply wires with ground wire through the Crossbar Assembly (A). Attach the Crossbar Assembly (A) to Outlet Box with the head of Green Ground Screw facing you. Secure it with Outlet Box Screws (not included). Tighten until snug.



STEP 3 - Wire Connections

A. Use standard wire connectors (not included) to make all wire connections. Twist connectors until wires are tightly joined together. Wrap each connection with approved electrical tape and carefully stuff all the connected wires into the Outlet Box.



STEP 2 - Test Fit the Ceiling Canopy to the Crossbar Assembly

A. Remove the mounting balls from the Crossbar Assembly (A). Place the ceiling canopy and the Fixture Body (B) onto the Crossbar Assembly (A) and secure with mounting balls. Note: The ceiling canopy and the Fixture Body (B) should be snug against the ceiling and held tight with the mounting balls. If it is not, adjust the length of the mounting screws on the Crossbar Assembly (A) by unscrewing

STEP 4 - Install the Fixture

A. Remove Protective Film from Ceiling Canopy. Position the ceiling canopy and Fixture Body (B) onto the Crossbar Assembly (A). Place the holes in the ceiling canopy over the mounting screws. Secure the Fixture Body (B) by using the mounting balls and hand tighten the mounting balls until snug.

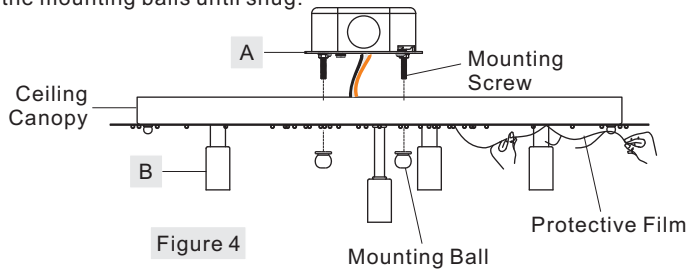
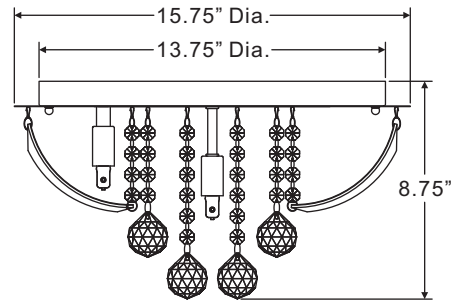
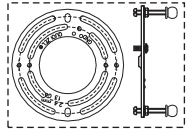


Figure 4

FINISH: POLISHED CHROME



STEP 5 - Install Bulbs and Crystal Strings

A. Insert bulbs (C) into sockets and push snugly into place.
IMPORTANT: Do not touch the bulb with bare hands use a cloth or glove.
 (Refer to CRYSTAL STRINGS DISTRIBUTION)
 B. Attach Crystal Strings A to locations "A" on the Fixture Body (B) first. And then attach Crystal Strings B to locations "B" on the Fixture Body (B).
 C. Attach the beads end of the Crystal Strings C to inner locations "C" on the Fixture Body (B) first. And then attach the crystal end of the Crystal String C to outer locations "C" on the Fixture Body (B).

Your fixture is now assembled and ready to use. Enjoy!

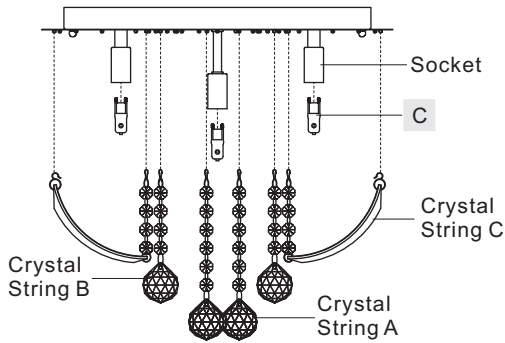
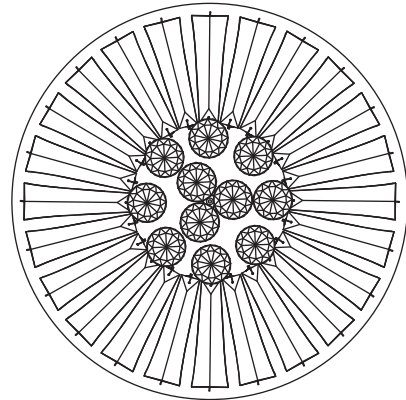
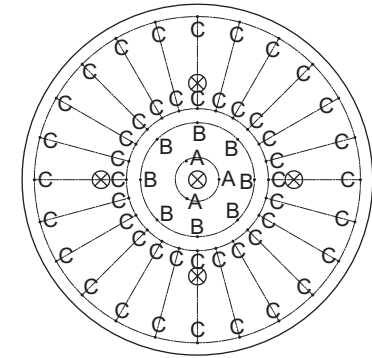


Figure 5



NOTE: ALL DIMENSIONS ARE ROUNDED UP TO THE NEAREST 1/4"



CRYSTAL STRINGS DISTRIBUTIONS

CAUTION FOR BULB REPLACING

- A. When replace bulb, turn off power and allow lamp to cool. For safety purpose, wear gloves and eye protection.
- B. If bulb is scratched or cracked, DO NOT use the lamp to avoid breakage during use or installation.
- C. Use only in fixtures rated for lamps wattage and voltage.
- D. Prevent the bulb from contacting liquid or combustible materials.