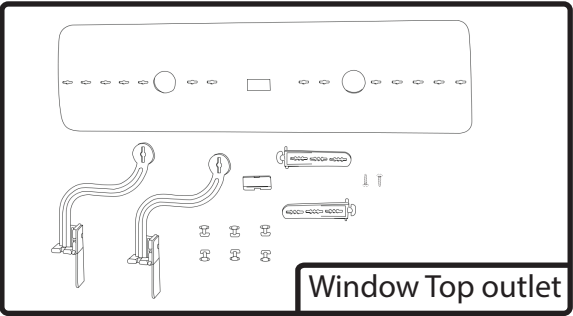
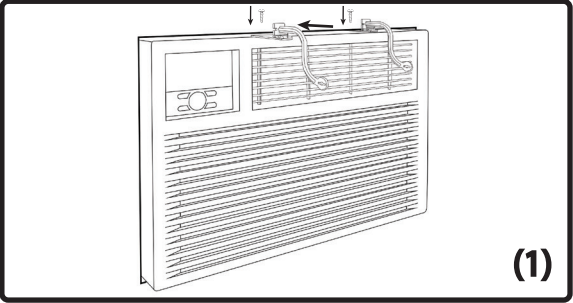


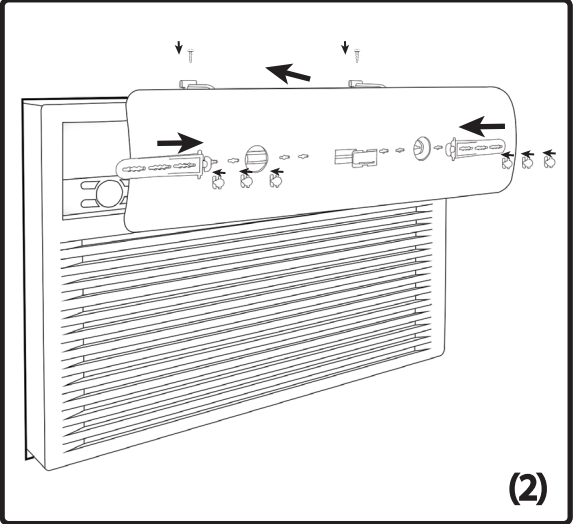
Installation Guide For Window Top outlet AC Deflector :



● **Installing the Arms :**
insert the arms to the top section of the air conditioning unit, Use screws to secure the supporting arms to the top of the air conditioner for added stability as shown in image (1).



● **Deflector Installation :**
Fix the deflector to the installed arms using the provided clamps and clips. Make sure the deflector is firmly secured, as shown in image (2).



● **Adjusting Airflow Direction :**
Once the installation is complete, adjust the deflector to direct the airflow to your desired direction, as shown in image (3).



Scan QR code for installation video

