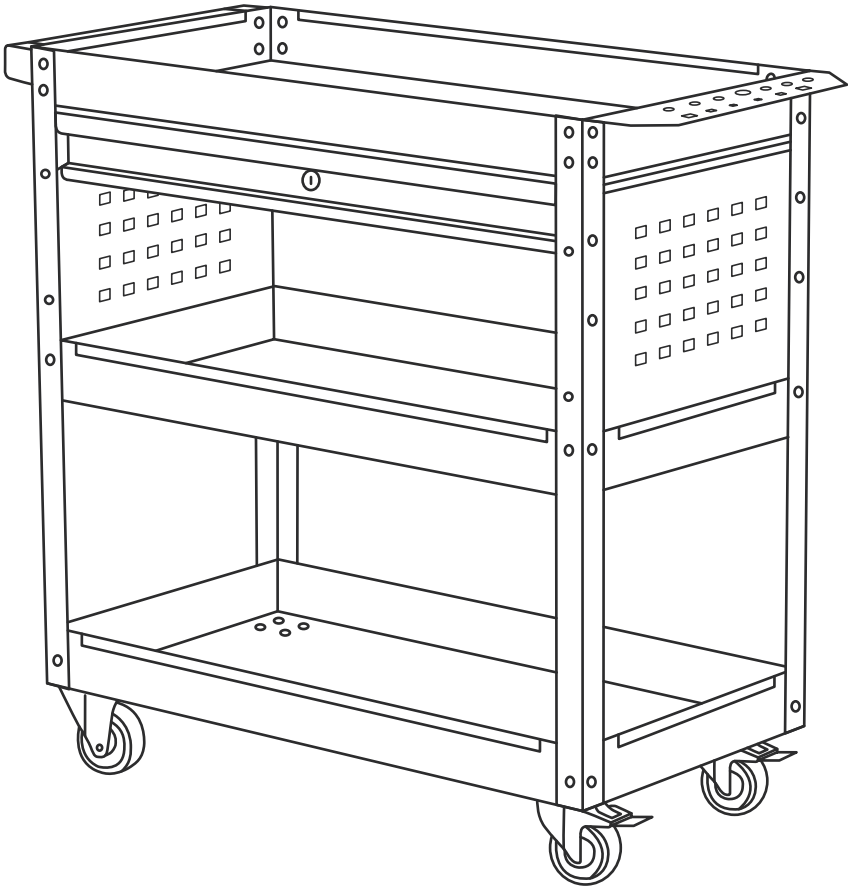
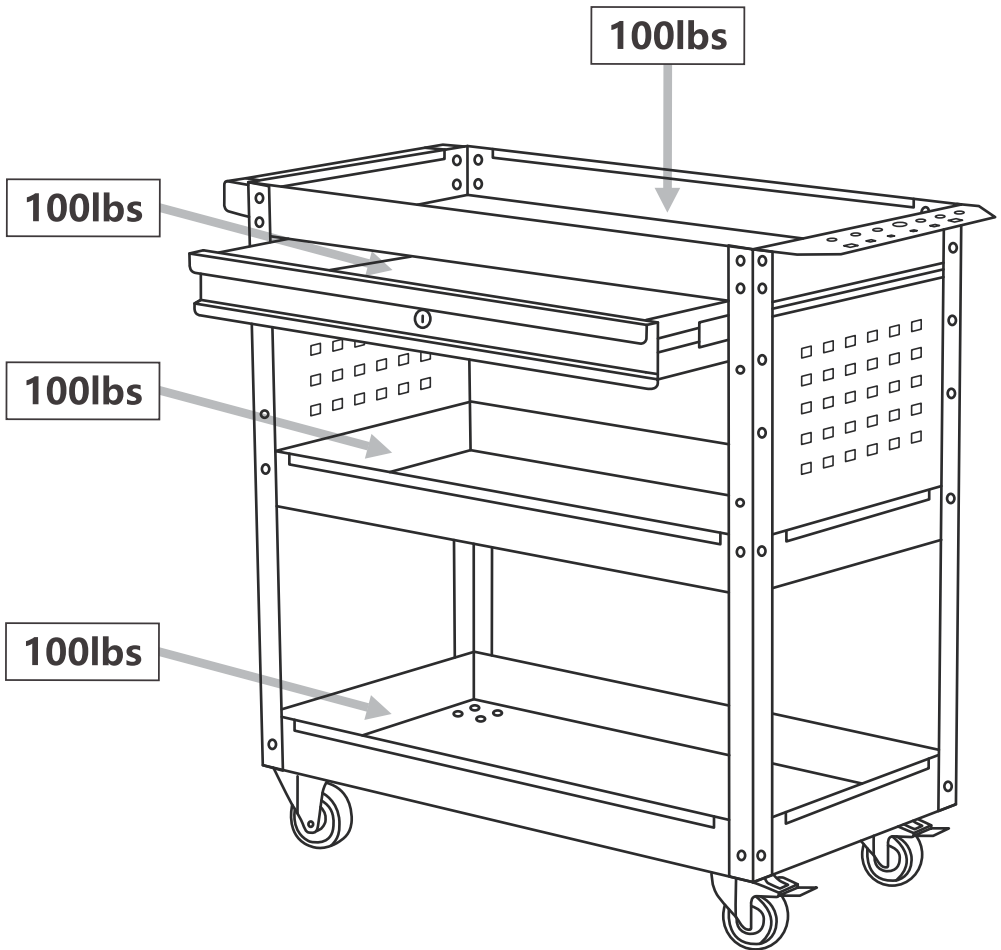


3-TRAY TOOL CART WITH DRAWER

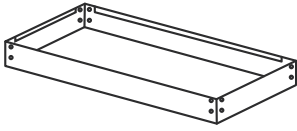


MAXIMUM LOADS

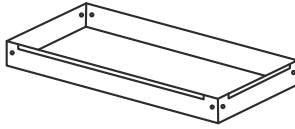


The maximum loading capacity is **400lbs**

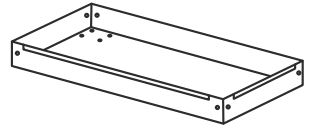
Parts Listing



① Top Tray x1



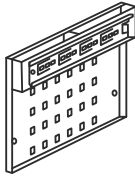
② Middle Tray x1



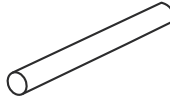
③ Bottom Tray x1



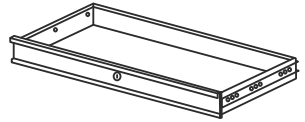
④ x4



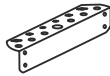
⑤ x2



⑦ x1



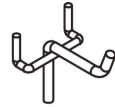
⑨ x1



⑥ x1



⑧ x1



⑩ x4



⑪ x2



⑫ x2



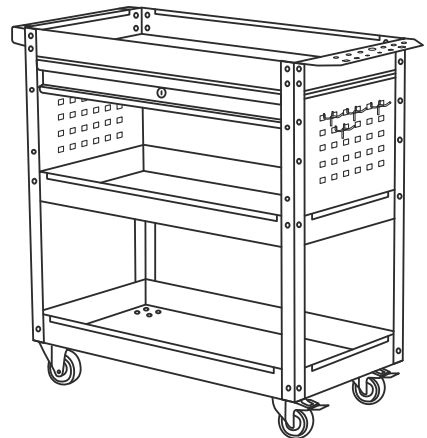
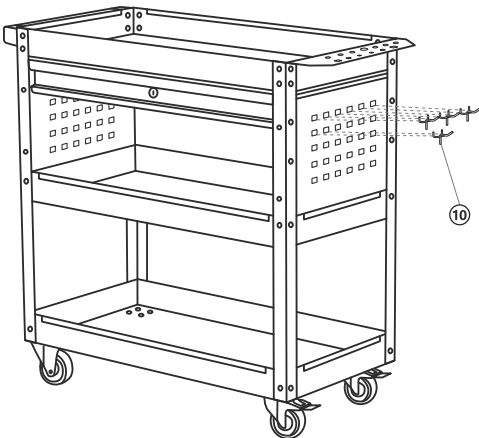
⑬ x2



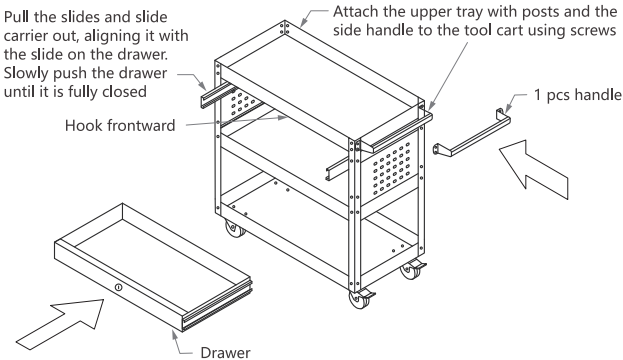
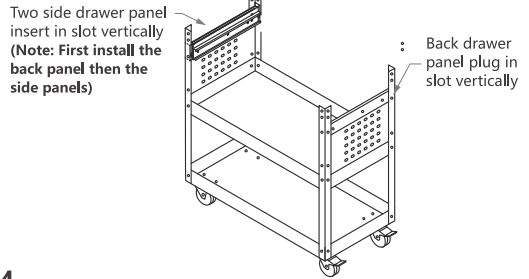
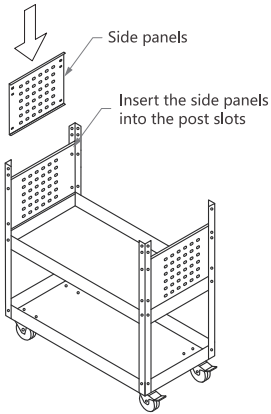
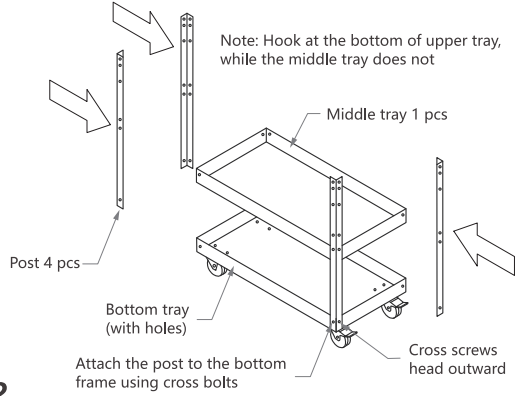
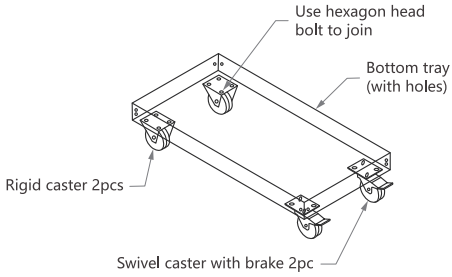
⑭ x40



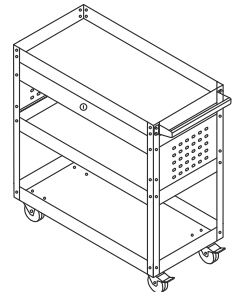
⑮ x16



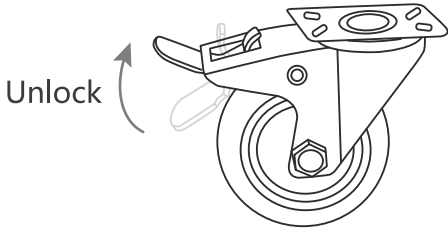
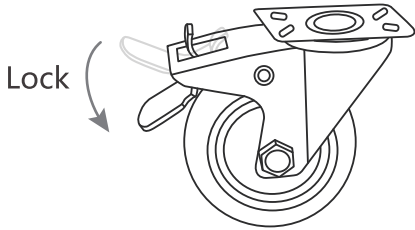
Instruction



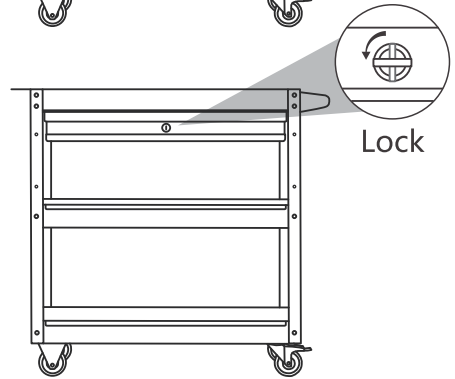
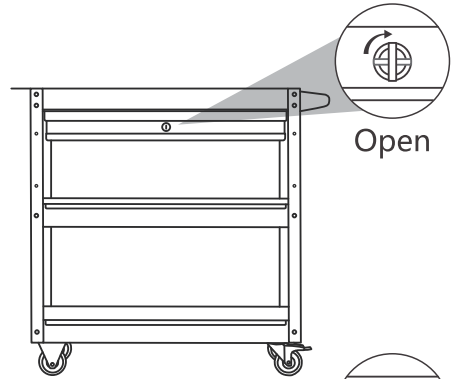
Installation Completed



Two Casters with Brakes

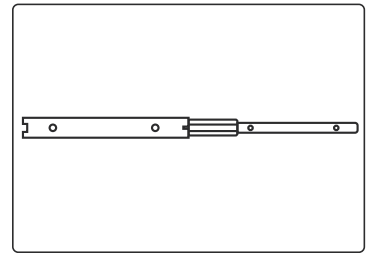


Locking System



Sliding Drawers

The ball slides have black retaining clips. To remove a drawer, simultaneously release these clips by pushing up the right slide and down the left slide. Pull the drawer completely and take it out. To reinstall the drawer, replace it on its slides and push it completely.



▲ NOTES:

- Lubricate the top and bottom channels of the drawer slides at least twice a year.
- The maximum loading capacity is 400lbs.

CARE AND MAINTENANCE:

- Clean the item with a damp cloth and a mild detergent.
- Never use solvent, alkaline or acidic cleaning products as this can damage the surfaces of your tool box.

⚠ IMPORTANT SAFETY INFORMATION

- Do not step on the item, you could get hurt.
- The item must not be remoulded. Any modifications made could compromise its safe use, resulting in potential physical or material damage.
- This item has been manufactured exclusively for private use and is only suitable for indoor use.
- Before assembly, please check that all parts listed are present.
- If any parts are damaged or missing, please do not assemble the item, incorrect or incomplete assembly may result in injury.
- Install the item on a flat, horizontal surface and make sure you have enough space for assembly.
- Follow exactly each step in the order of assembly instructions.
- When assembling parts, be careful not to cut or pinch yourself.
- We recommend wearing gloves during assembly.
- Do not deform parts by forcing during assembly.
- When placing the hooks on the perforated wall, make sure they are properly engaged to prevent them from falling.
- The stability of this item is primarily ensured by the proper distribution of the loads placed inside and in the drawers. To avoid any risk of tipping, here are some rules to respect:
 - Place the heaviest loads in the lower compartment;
 - Do not overload drawers (Refer to the diagram on page 6 for maximum loads)