

USE AND CARE GUIDE



52-INCH 5-BLADE INDOOR CEILING FAN

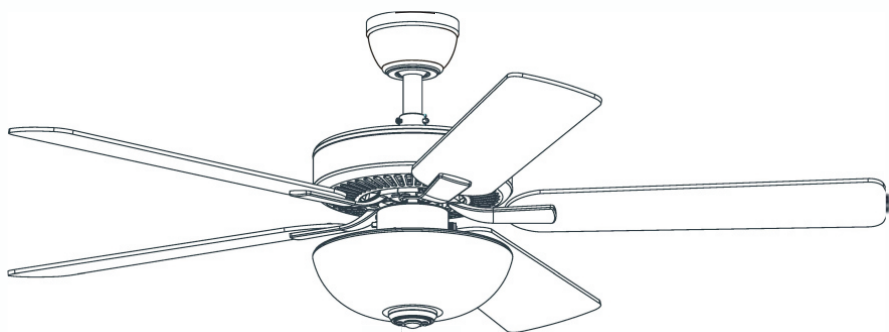


Table of Contents

Table of Contents.....	2	Assembly & Installation	6-10
Safety Information	2	Standard Ceiling Mounting	6
Warranty	3	Blades & Light Kit Installation.....	7-8
Pre-installation	3	Hanging the Fan	8-9
Specification	3	Install Canopy	10
Tools Required	3	Fan Balance	10
Hardware included	4	Care and Cleaning	11
Package Contents	4	Troubleshooting	11
Wiring Diagram	5	Use of Remote.....	12

Safety Information

1. To reduce the risk of electric shock, ensure the electricity has been turned off at the circuit breaker or fuse box before beginning.
2. All wiring must be in accordance with the National Electrical Code ANSI/NFPA 70 and local electrical codes. Electrical installation should be performed by a qualified licensed electrician.
3. The outlet box and support structure must be securely mounted and capable of reliably supporting 110lbs. (50kg). Use only UL Listed outlet boxes marked "Acceptable for Fan Support of 110lbs. (50kg) or less."
4. The fan must be mounted with a minimum of 7 ft (2.1 m) clearance from the trailing edge of the blades to the floor.
5. Do not operate the reversing switch while the fan blades are in motion. You must turn the fan off and stop the blades before you reverse the blade direction.
6. Do not place objects in the path of the blades.
7. To avoid personal injury or damage to the fan and other items use caution when working around or cleaning the fan.
8. Electrical diagrams are for reference only. Light kits that are not packed with the fan must be UL-listed and marked suitable for use with the model fan you are installing. Switches must be UL General Use Switches. Refer to the instructions packaged with the light kits and switches for proper assembly.
9. After making electrical connections, spliced conductors should be turned upward and pushed carefully up into the outlet box. The wires should be spread apart with the grounded conductor and the equipment-grounding conductor on one side of the outlet box.
10. All setscrews must be checked and retightened where necessary before installation.



WARNING: To reduce the risk of personal injury, do not bend the blade brackets (also referred to as flanges) during assembly or after installation. Do not insert objects in the path of the blades.



WARNING: To reduce the risk of fire, electric shock or personal injury, mount to outlet box marked "acceptable for fan support of 110lbs.(50Kg) or less" and use screws provided with the outlet box.



WARNING: To reduce the risk of fire or electric shock, do not use this fan with any solid-state speed control device.



WARNING: To avoid possible electrical shock, turn the electricity off at the main fuse box before wiring. If you feel you do not have enough electrical wiring knowledge or experience, contact a licensed electrician.



WARNING: Electrical diagrams are for reference only. Optional use of any light kit shall be UL-listed and marked suitable for use with this fan.



WARNING: Remove the rubber motor stops on the bottom of the fan before installing the blades or testing the motor.

Warranty

The supplier warrants the fan motor to be free from defects in workmanship and material present at time of shipment from the factory for a lifetime after the date of purchase by the original purchaser. The supplier also warrants that all other fan parts, excluding any glass or acrylic blades, to be free from defects in workmanship and material at the time of shipment from the factory for a period of one year after the date of purchase by the original purchaser. We agree to correct such defects without charge or at our discretion replace with a comparable or superior model if the product is returned. To obtain warranty service, you must present a copy of the receipts proof of purchase. All costs of removing and reinstalling the product are your responsibility. Damage to any part, such as by accident, misuse, improper installation or by affixing any accessories, is not covered by this warranty. Because of varying climatic conditions this warranty does not cover any changes in brass finish, including rusting, pitting, corroding, tarnishing or peeling. Brass finishes of this type wear best when protected from varying weather conditions. A certain amount of "wobble" is normal and should not be considered a defect. Servicing performed by unauthorized persons shall render the warranty invalid. There is no other express warranty. Hereby disclaims any and all warranties, including but not limited to those of merchantability and fitness for a particular purpose to the extent permitted by law. The duration of any implied warranty which cannot be disclaimed is limited to the time period as specified in the express warranty. Some states do not allow a limitation on how long an implied warranty lasts, so the above limitation may not apply to you. The retailer shall not be liable for incidental, or special damages arising out of or in connection with product use or performance except as may otherwise be accorded by law. Some states do not allow the exclusion of incidental or consequential damages, so the above exclusion or limitation may not apply to you. This warranty gives specific legal rights, and you may also have other rights which vary from state to state. This warranty supersedes all prior warranties. Shipping costs for any return of products as part of a claim on the warranty must be paid by the customer.

Pre-Installation

SPECIFICATION

Size	Speed	Volts	Amps	Watts	RPM	CFM	Net Weight	Gross Weight	Cube Feet
52"	1	120V	0.085	10.2	123	3396	(10.69lbs)	(14.33lbs)	(2-3cu. ft)
	2		0.113	13.56	138	4081			
	3		0.14	16.8	148	4356			
	4		0.15	18	163	4511			
	5		0.228	27.36	175	5280			
	6		0.301	36.12	192	5570			

The above data is for reference only. The motor speed of each ceiling fan varies.



NOTE: These are approximate measures. They do not include the amps and wattage used by the light kit.

Specifications & measurements shown are subject to +5% variations.

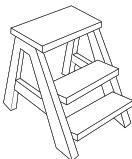
TOOLS REQUIRED



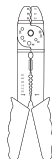
Phillips screwdriver



Flat blade screwdriver



Step ladder



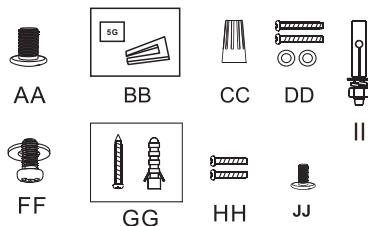
Wire stripper



Electrical tape





Pre-Installation (continued)

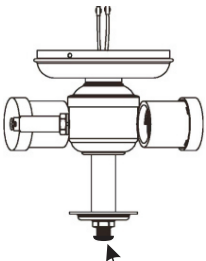
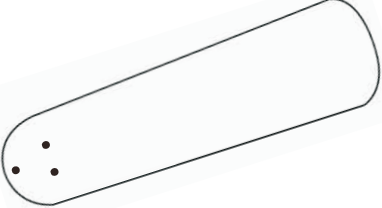
HARDWARE INCLUDED

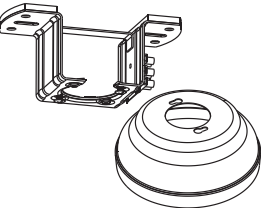
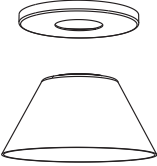
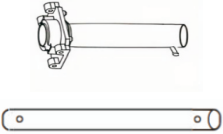



Outlet box	DD	Outlet box screws, M5x22mm + Washer (x2 + 1Spare)	3
	GG	Wooden screws M5x30mm + M5 plastic expansion screw	4
	II	Expansion screw M6x60mm	4
Blade And Bracket	AA	Blade attachment screw, M5x7mm (x15+1spare) + 1spare for downrod collar	17
	BB	Balance part pack	1
Spare and balance part	CC	Terminal cap	3
	FF	Blade bracket screw M6x10 + washer (spare part)	2
	HH	Canopy screw M4x20mm (spare part)	1
	JJ	Light kit screw M4x7mm (spare part)	1

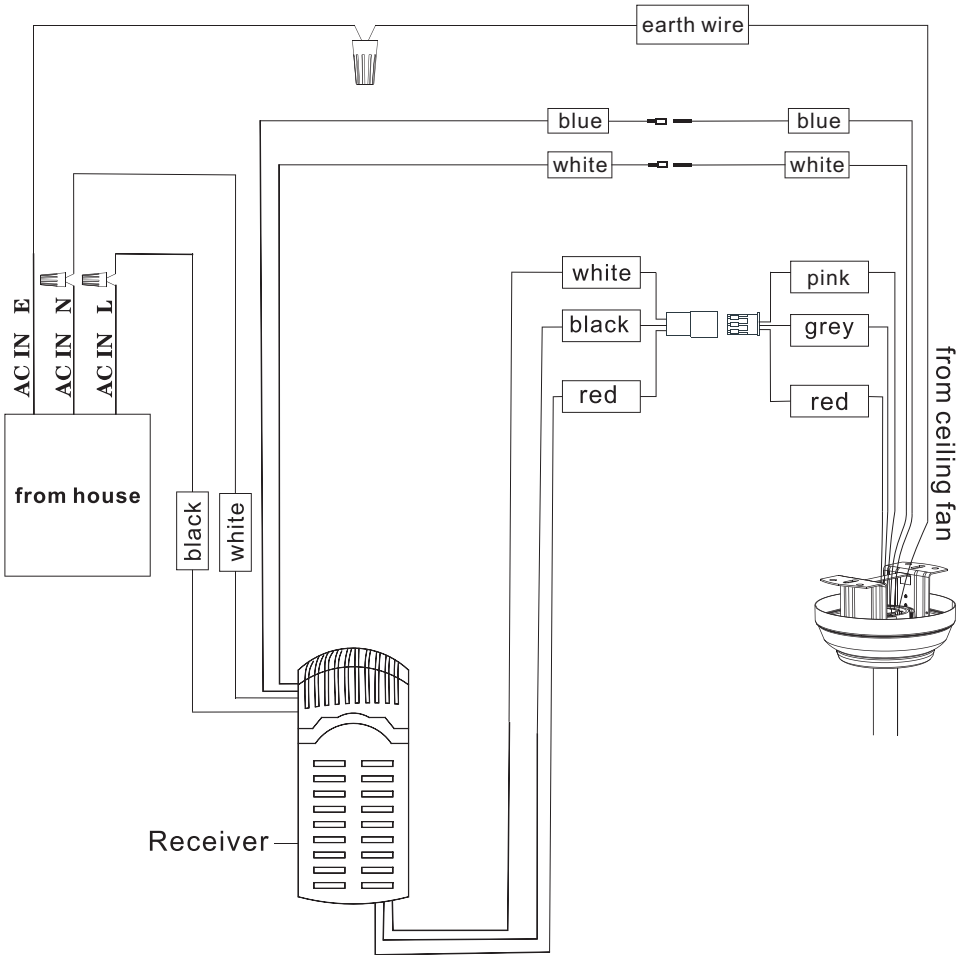
PACKAGE CONTENTS

			
A Motor Housing 1	B Bulb 2	C Lamp Shade 1	D Shade Cover 1

		G Remote 1
E Light Kit 1	F Blade 5	H Receiver 1

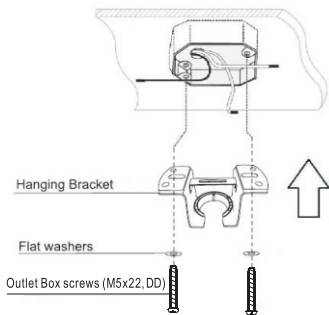
			
I Hanging Bracket 1	J Canopy cover 1	M 12cm & 25cm downrod 1	N Blade bracket 5

Wiring Diagram



- Connect the wire which from ceiling fan into the Receiver.
 - Connect the wire from the Receiver with the wire from the house.
 - Connect the wire from the ceiling fan to the house
- Important:** Receiver must be installed, for Remote, Wall Control or both.

Assembly – Standard Ceiling Mount



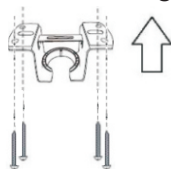
CAUTION: Be sure outlet box is grounded properly and that a earth wire (green or bare) is present.

Install hanging bracket to outlet box using original screws, spring washers and flat washers provided with new or original outlet box.



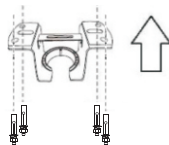
CAUTION: It is very important that you use the proper hardware when installing the hanging bracket as this will support the weight of the fan

Wood ceiling



Wooden screws M5x30mm & M5 Plastic expansion screw

Concrete ceiling



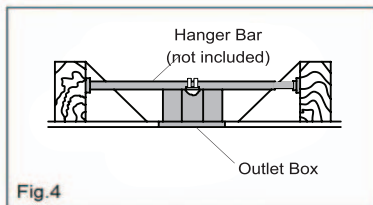
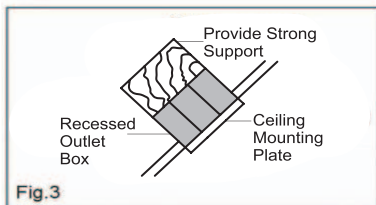
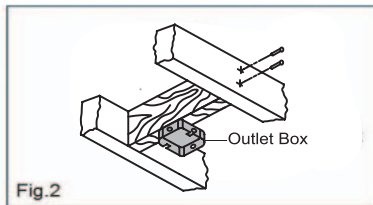
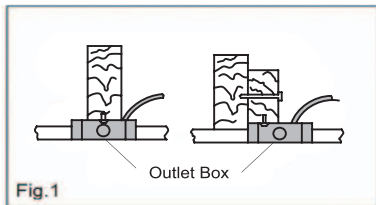
Expansion Screw M6x60mm

ELECTRICAL OUTLET BOX

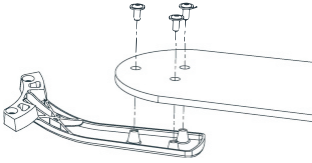


WARNING: Contact a qualified electrician to replace the outlet box if it is not suitable for ceiling fans

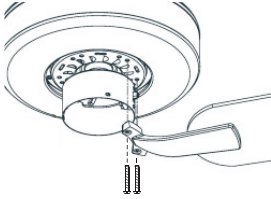
- If there is an existing outlet box, ensure it is clearly marked "Suitable for Fan Support". If not, it must be replaced with an approved one.
- Secure the outlet box (or make sure the existing box is secured) directly to the building structure. Use appropriate fasteners and building materials. Wood joist and outlet box must be able to support a minimum of 50kgs.
- Fig. 1,2,3 and 4 are examples of different ways to mount the outlet box in different situations. A hanger support bar may be required.



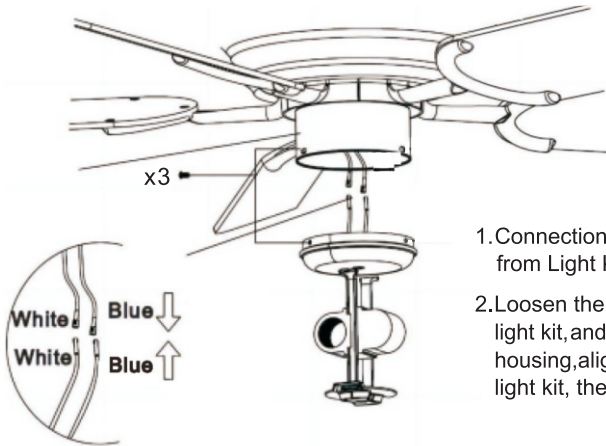
Installation- Blade and Light Parts



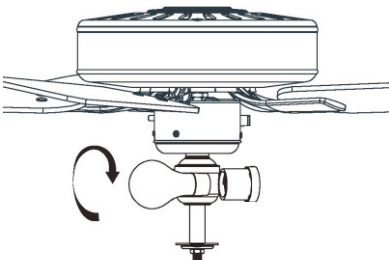
1. Attach the blade to the blade Bracket, using the screws (AA)
2. Repeat to finish all 5 blades and brackets installation.



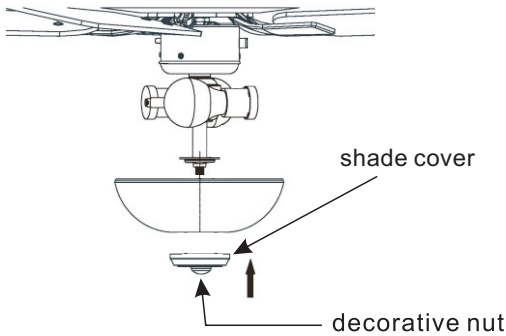
1. Take off the screws and washers on the motor and store them well
2. Attach the blade brackets on the motor, align the holes on both and install with above screws and washer
3. Repeat to finish all blade brackets installation to the motor housing.



1. Connections the 2 wires from motor and 2 wires from Light Kit White to white, blue to blue
2. Loosen the pre-installed screws on the top of the light kit, and put the Light-kit attached to the motor housing, align the holes on motor housing and the light kit, then tighten all these screws.

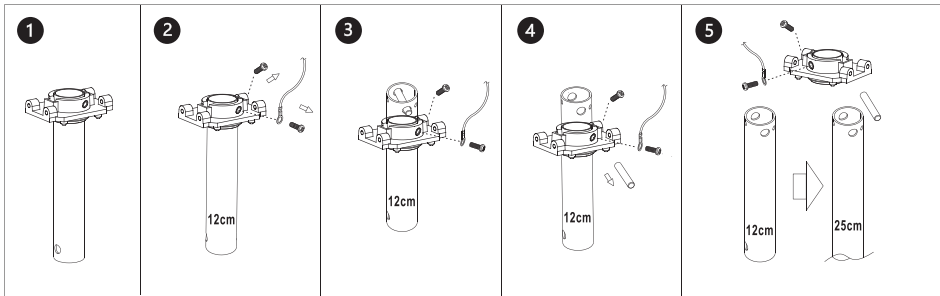


Install the bulbs



1. Take off the decorative nut.
2. Insert the lamp shade.
3. Put on the shade cover through the screw-bolt at bottom.
4. Turn the decorative nut onto the screw-bolt to fix lamp shade and shade cover.

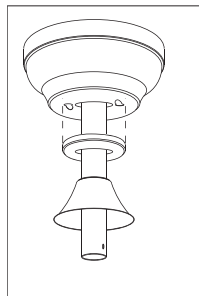
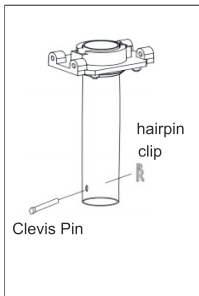
Assembly – Hanging the Fan



Follow up on the height of the house and choose the appropriate downrod. If a 12 cm downrod is suitable, this step can be skipped.

- 1). Loosen the two fixing screws (as shown in Figure 2).
- 2). Push the downrod upwards (as shown in Figure 3) out of the horizontal tip (as shown in Figure 4).
- 3). Then pull out the 12 cm downrod to replace another 25 cm downrod (as shown in Figure 5).
- 4). After replacement, follow the above installation steps 4-3-2 to install until it is restored to the state shown in Figure 1.
- 5). Finally, you must pay attention that the two fixing screws must be firmly locked.

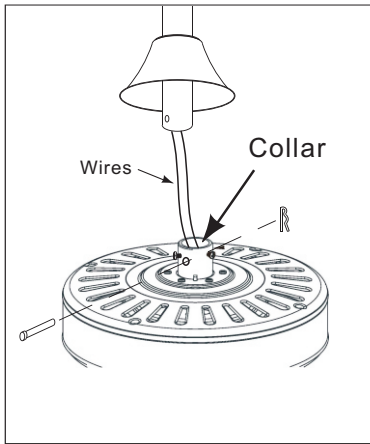
Install downrod assembly



WARNING

It is critical that the clevis pin and the screw in the downrod support is properly installed and the screws are securely tightened. Failure to verify the clevis, hairpin clip or screws properly installation could cause the fan falling.

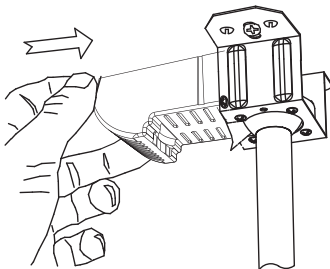
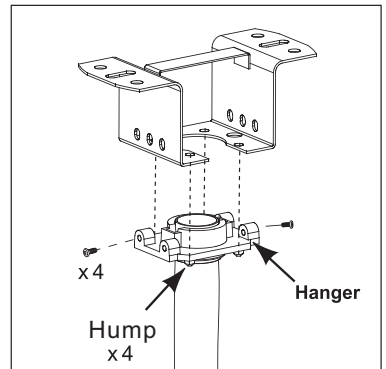
1. Take off the hairpin clip and the Clevis Pin
2. Install the canopy, canopy cover and collar cover on the downrod in this order.



3. Loosen the pre-installed screws on top of the Motor housing the Collar. Place the downrod into the Collar on motor housing, and all the electrical wires go through the downrod to the top end.

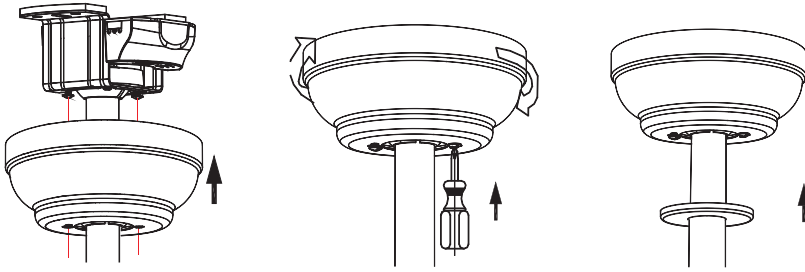
4. Align the Clevis Pin holes in the Downrod with the holes in the Collar. Be sure to push the straight leg of the Hairpin Clip through the hole near the end of the Clevis Pin until the curved portion of the Hairpin snaps around the Clevis Pin. Finally, re-tighten the two screws.

1. Take off the 4 screws (M4x10mm) from the hanger and store them well.
2. Carefully lift the fan, and put the downrod & Hanger assembly sit on the hanging bracket. Humps on the hanger must be properly aligned with holes on the hanging bracket.
3. Install the former 4 screws (M4x10mm) strongly, through the holes on hanging bracket



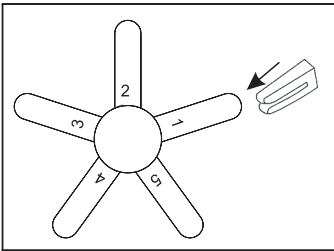
Carefully insert and install the Receiver into the Hanging Bracket. Connect the wires of the Receiver and the ceiling fan light to each other, as shown on page 5.

Install canopy

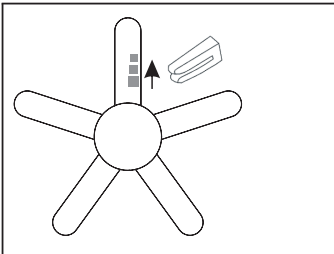


1. Loosen the canopy screws on the hanger, and push up the canopy. Align the key-hole and these screws.
2. Rotate the canopy clockwise, until it locked, and tighten both screws (HH).
3. Push the canopy cover up and the magnetics stick to the Canopy.

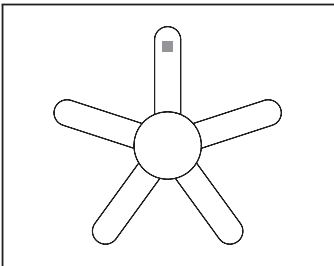
Fan Balance



- Run the fan in the low speed to check the wobbling problem existing or not. If wobbling exists, turn off the fan and put the balancing clip on the halfway of one of the blades, then run the fan to check again. If the wobbling issue persists or even worse, try another blade



- As soon you find the wobbling is less or better on one blade, that means this blade is the right one to work on. Run the fan to check the wobbling, and slide the balancing clip inch by inch to the external end of this blade. Finally you will find the right place on this blade for the balancing clip, there is no wobbling issue any more



- Stick one balancing pad on clip's right place on the blade, then run the fan to check the wobbling. The 2nd pad probably needed, and make sure the pad stucked strongly on the back side of the blade. You may need more, please contact us.

Care and Cleaning



WARNING: Make sure the power is off before cleaning your fan

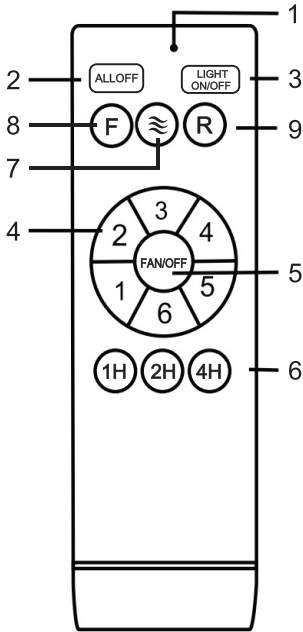
- Because of the fan's natural movement, some connections may become loose. Check the support connections, brackets, and blade attachments twice a year. Make sure they are secure. It is not necessary to remove the fan from the ceiling.
- Clean your fan periodically to help maintain its new appearance over the years. Do not use water when cleaning, as this could damage the motor or the wood, or possibly cause an electrical shock. Use only a soft brush or lint-free cloth to avoid scratching the finish. The plating is sealed with a lacquer to minimize discoloration or tarnishing.
- You can apply a light coat of furniture polish to the wood for additional protection and enhanced beauty. Cover small scratches with a light application of shoe polish.
- You do not need to oil your fan. The motor has permanently – lubricated sealed ball bearings.

Troubleshooting

Problem	Solution
The fan will not start	<ul style="list-style-type: none">□ Check the main and branch circuit fuses or breakers□ Check the line wire connections to the fan and switch wire connections in the switch housing□ Check the battery in the remote control□ Ensure you are in the normal range of 10-20 feet□ Turn the power off and ensure that the dip switch settings are the same on the remote control and receiver
The fan is noisy	<ul style="list-style-type: none">□ Ensure all motor housing screws are snug.□ Ensure the screws that attach the fan blade bracket to the motor hub are tight.□ Ensure the wire nut connections are not ratting against each other or the interior wall of the switch housing.□ Allow a 24-hour "breaking in" period. Most noises associated with a new fan disappear during this time.□ Ensure the screws securing the light kit and ensure the lamp cover is secure.□ Ensure the canopy is a short distance from the ceiling. It should not touch the ceiling.
The fan wobbles	<ul style="list-style-type: none">□ Check that all blade and blade arm screws are secure.□ Most fan wobble problems are caused when blade levels are unequal. Check this level by selecting a point on the ceiling above the tip of one of the blades. Measure from a point on the center of the blade to the point on the ceiling. Rotate the fan until the next blade is positioned for measurement, and measure from the same point on each blade to the ceiling. Repeat for each blade. Any measurement deviation should be within 1/8 in. Run the fan for ten minutes. If the fan continues to wobble please contact Customer Service.

Use of Remote Control

INSTRUCTIONS FOR REMOTE CONTROL



- 1.LED indicator
- 2.ALL OFF
- 3.Light: On/Off
- 4.Fan Speed Control
- 5.FAN OFF&Long Press to SETUP
- 6.Fan Timing
- 7.Natural Wind
- 8.Fan Forward
- 9.Fan Reverse

Tips:

- 1.The remote and controller/Receiver were setup to match each other in the manufacture, so that you can use the remote to control the fan and light.
2. While the remote can't control the fan or light, please check whether the battery is good or not.
 - 2.1 connection good or not
 - 2.2 A new batteries needed or notIf the batteries are good, but the remote can not control fan or light, please re-set up the remote to match the fan.
3. Too low battery voltage will affect the remote control distance and may cause remote fail. Please replace the battery in time
4. When not use for a long time, please take out the batteries of the remote control.
5. Setup procedure and button:
 - 5.1 Power off
 - 5.2 Keep Power Off (switch off, not remote all off button)for more than 1minute
 - 5.3 Power on, then press FAN/OFF buttons immediately, for 5 seconds
 - 5.4 You will see the light flash that means SETUP successfully.
 - 5.5 You can use the remote to control the fan and light
6. Make sure children don't play the remote.
7. For more assistants, please contact us for support.