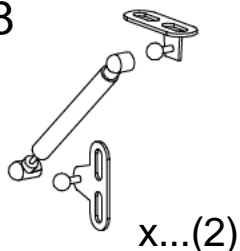
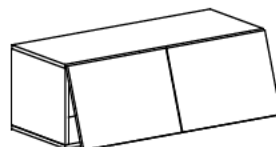


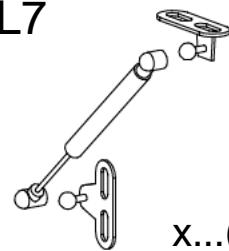
L8



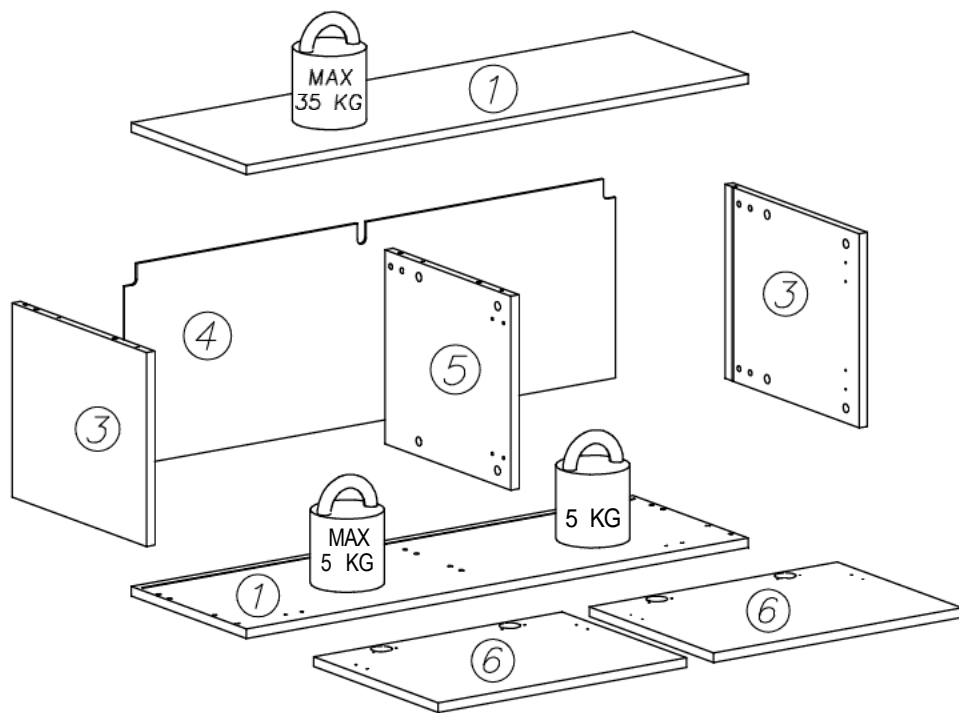
x...(2)



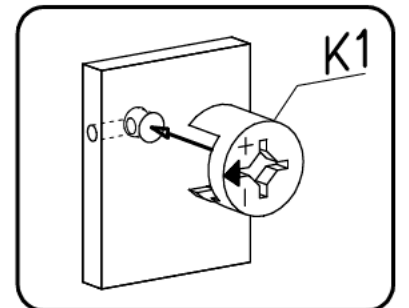
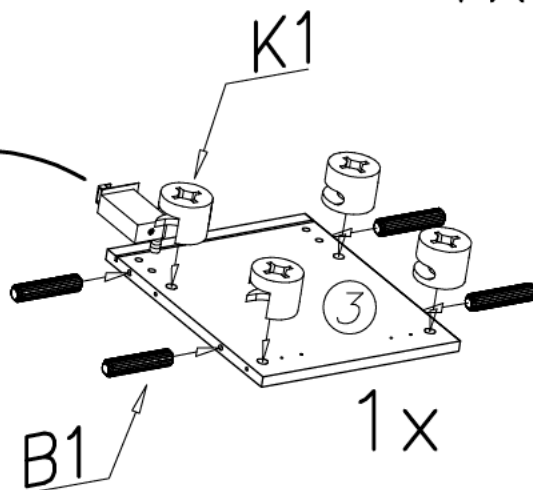
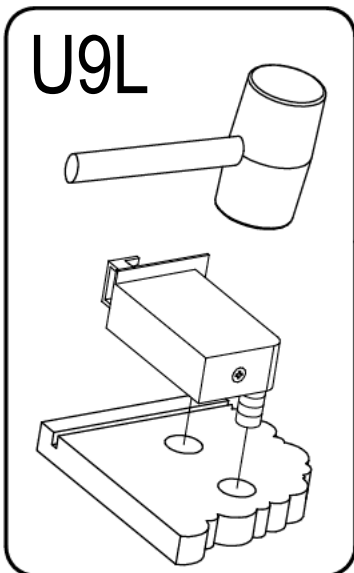
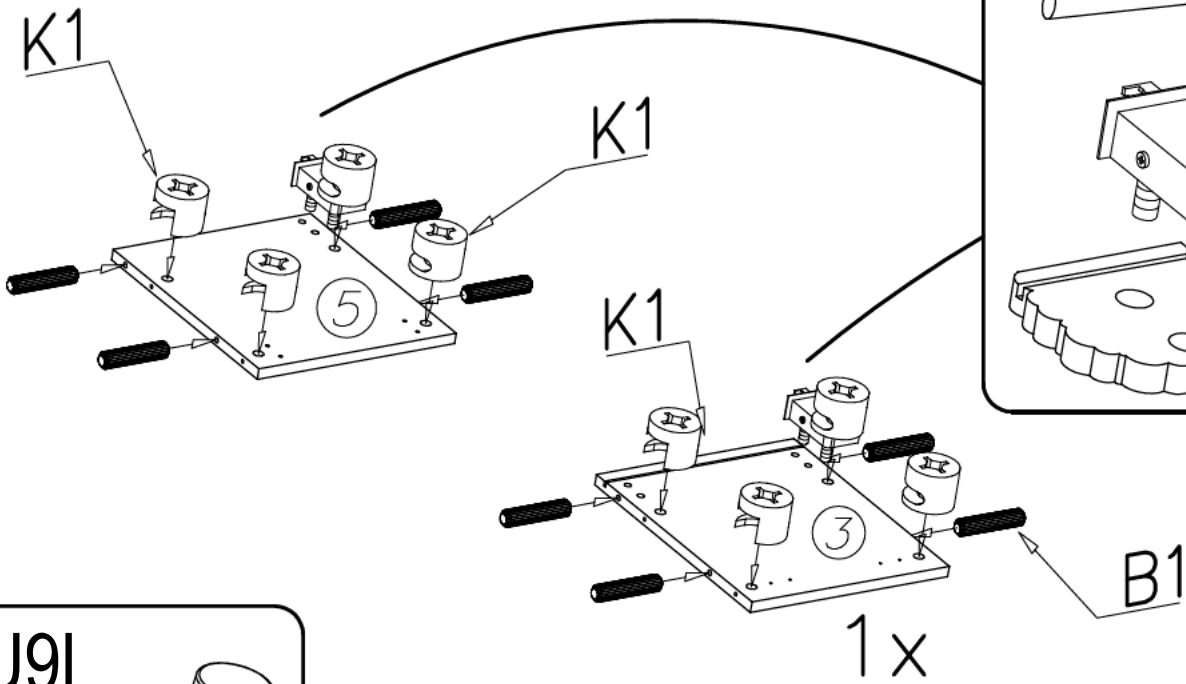
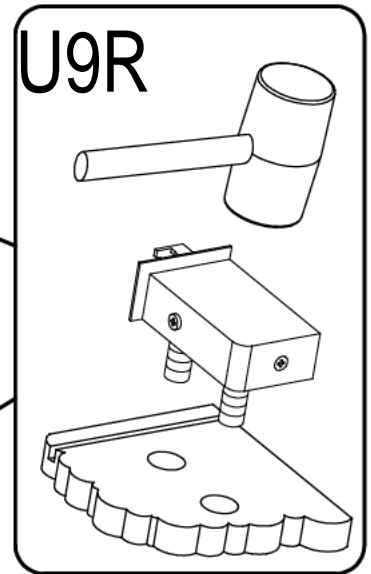
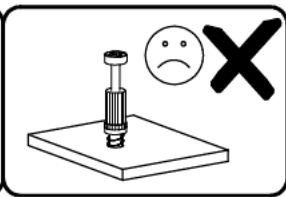
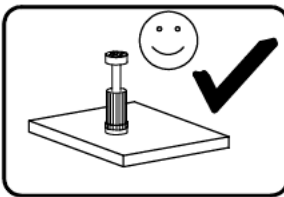
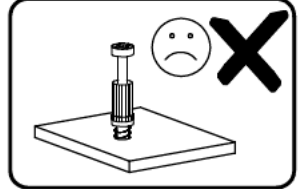
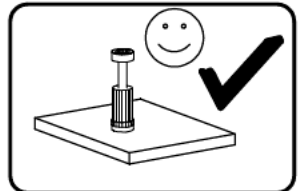
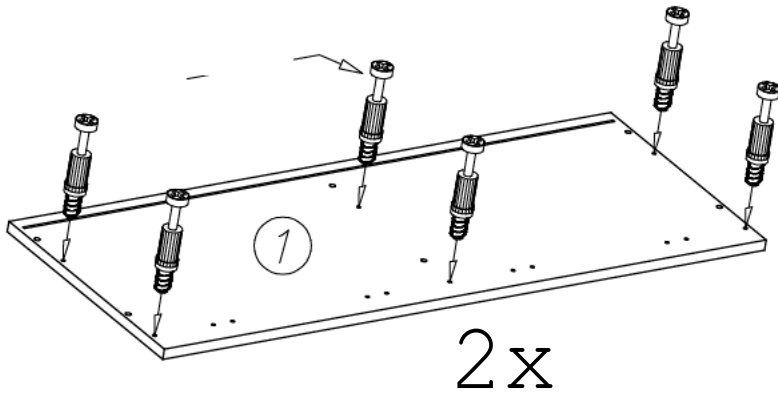
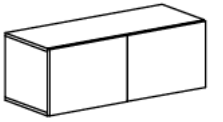
L7

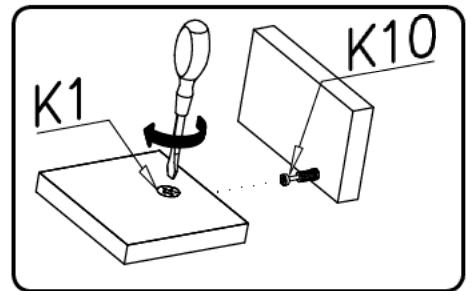
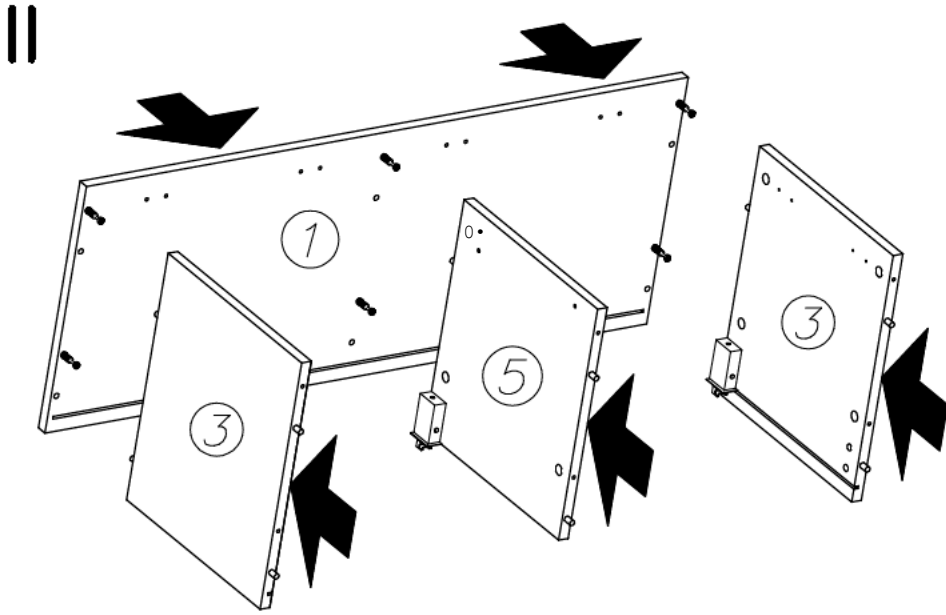
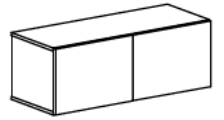


x...(2)

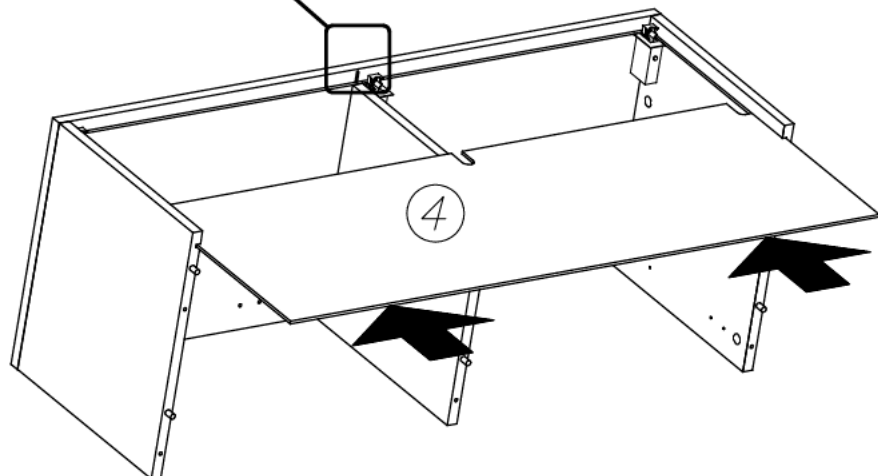
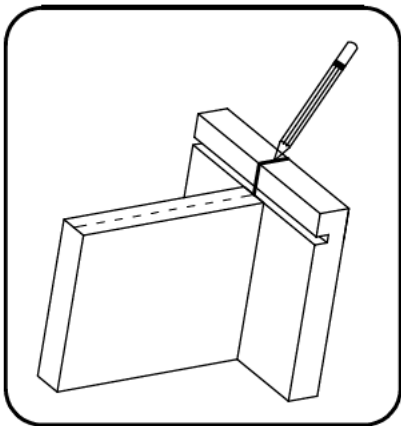


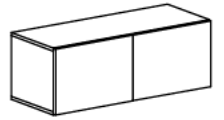
N7 M4x15 x...(2)	G32 3,5x16 x...(J6)	14 ø5 x...(4)	110 ø10 x...(4)	L13 -!*Æa•- x. (2)
U9L x...(1)	U9R x...(2)	U10L x...(1)	U10R x...(2)	G57 3,5x16 x...(4)
K1 ø15x12 x...(12)	I7 x...(12)	I1 x...(6)	U7 x...(3)	U8 ø10x60 x...(3)
K10 x...(12)	B1 ø8x35 x... (1)	C3 Z35PR x...(4)	D3 H.2 PZ35PR X...(4)	G34 3,5x16 x...(11)



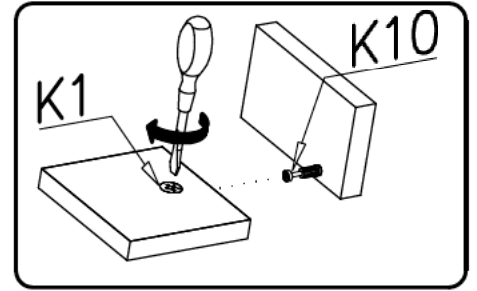
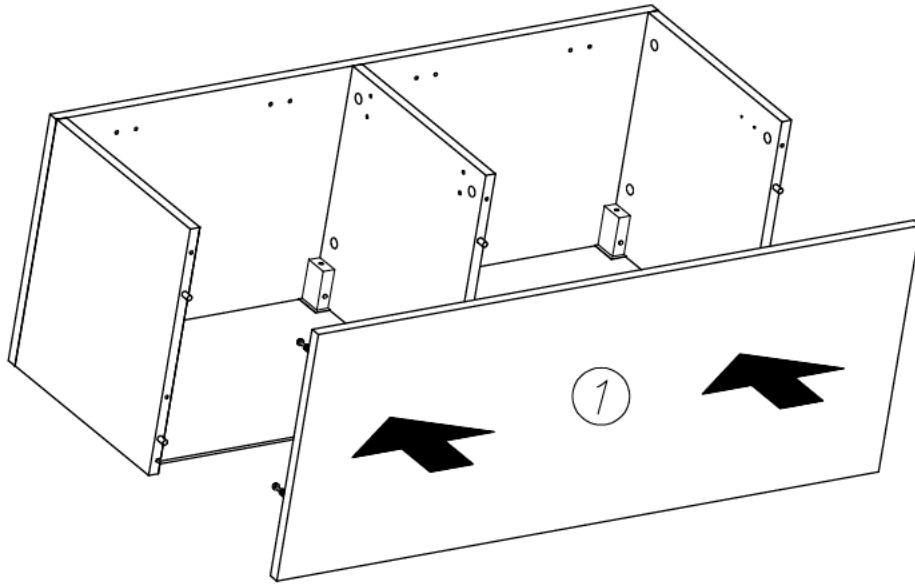


III

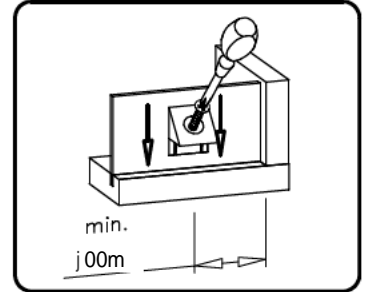
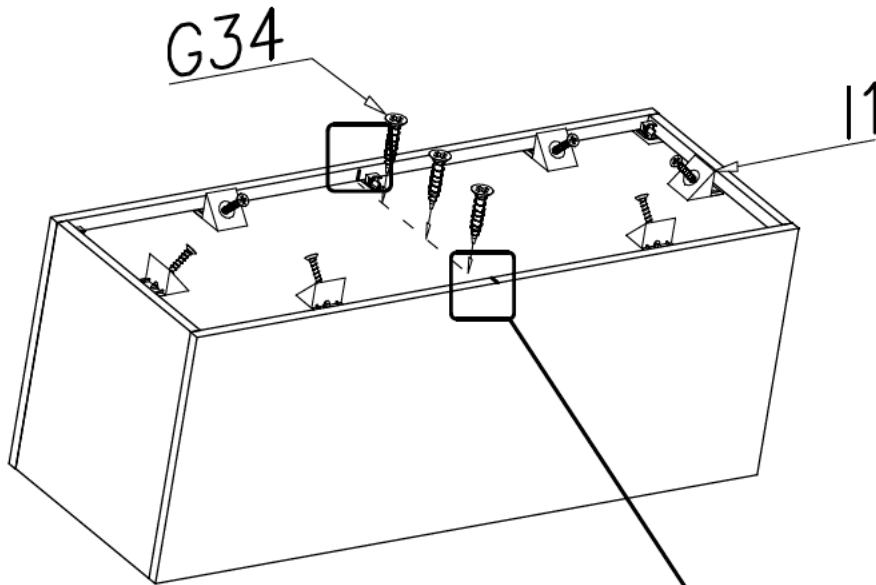




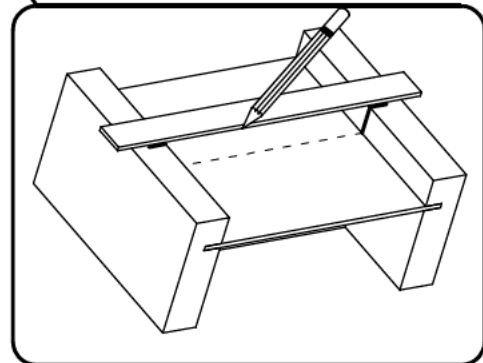
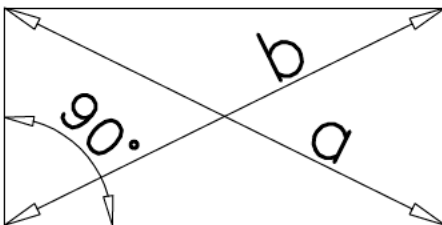
iv

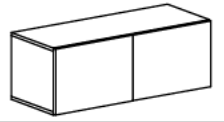


v

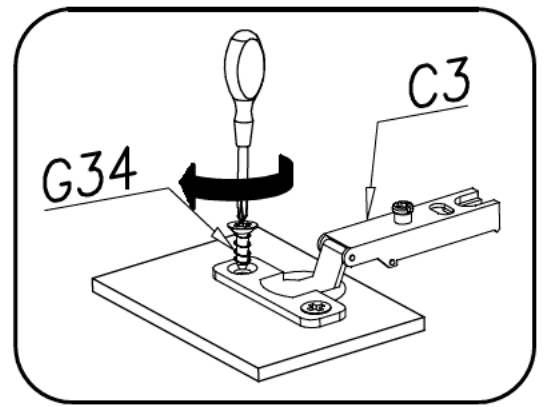
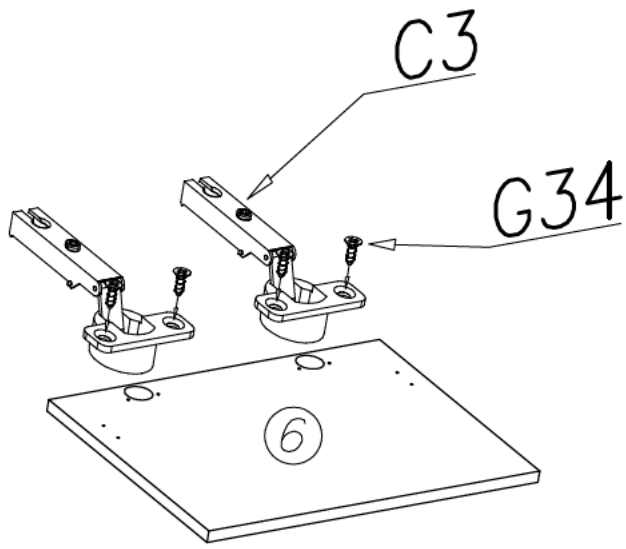


$a = b$

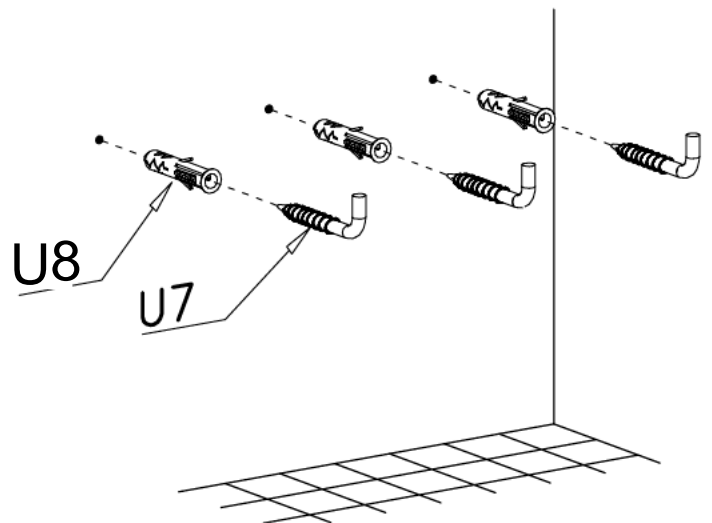
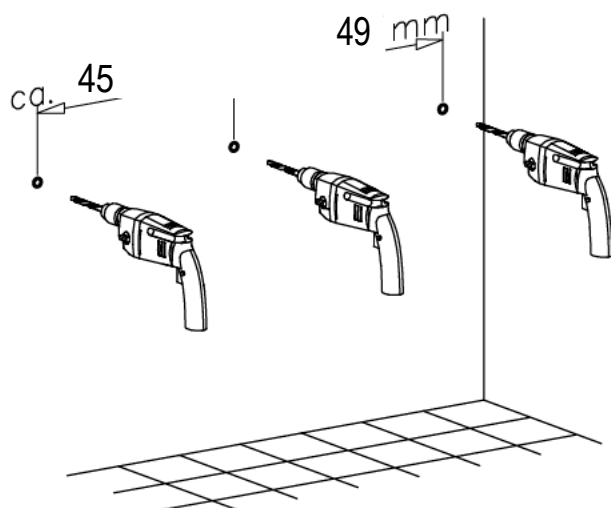
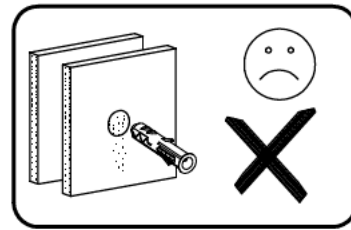
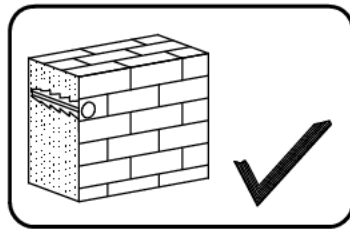


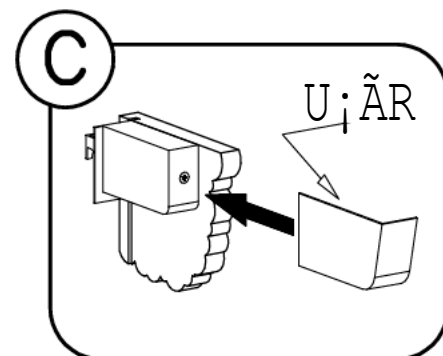
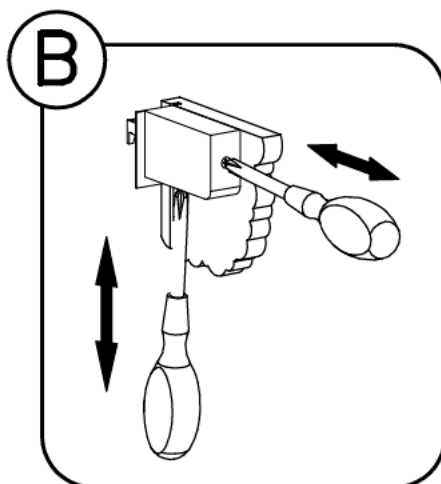
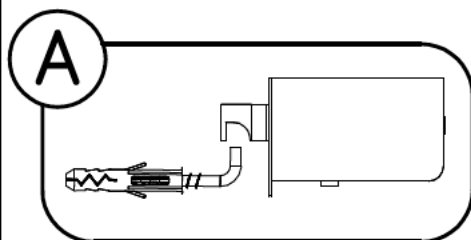
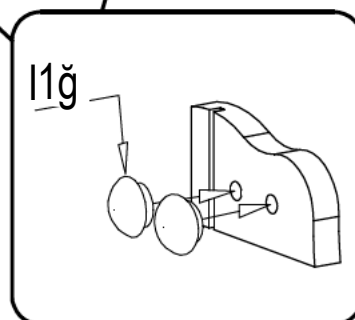
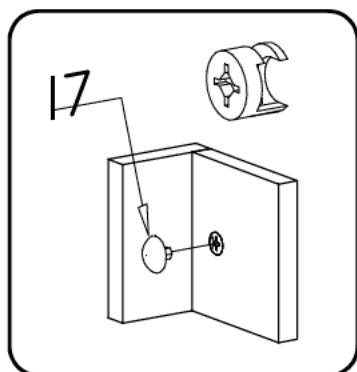
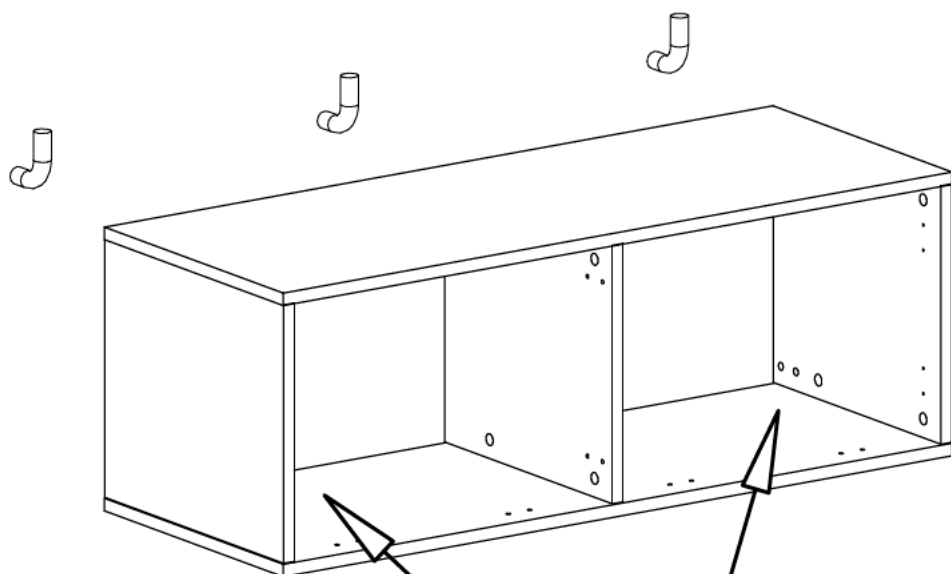
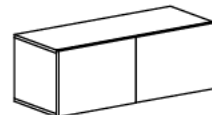


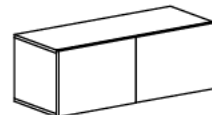
# VI



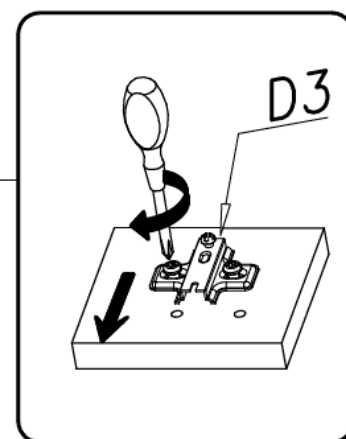
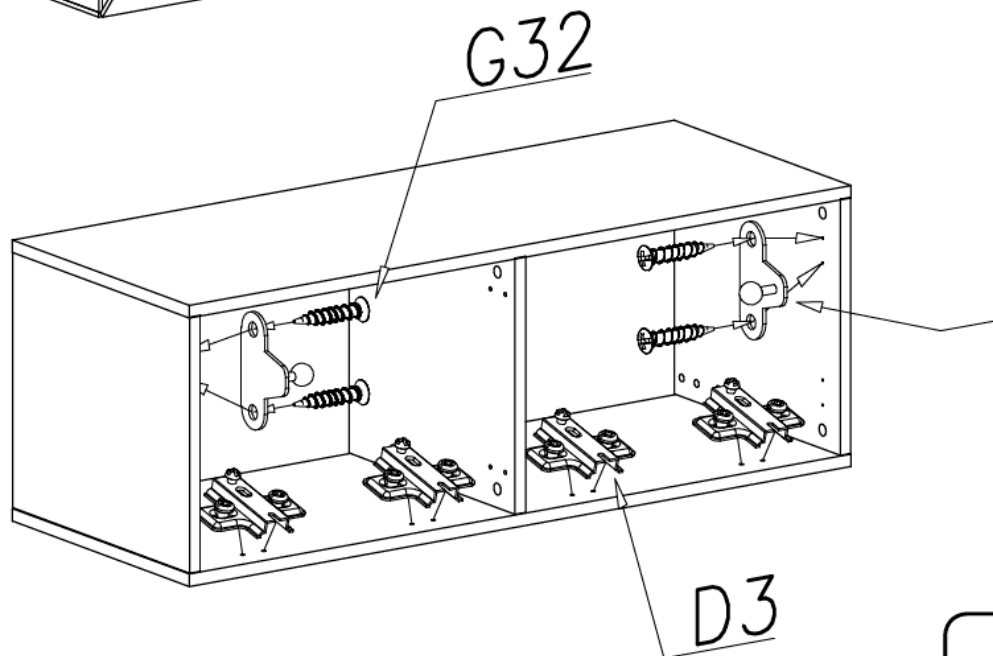
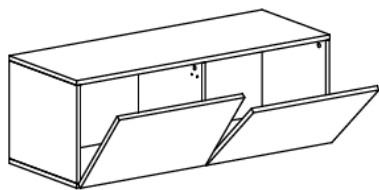
# VII



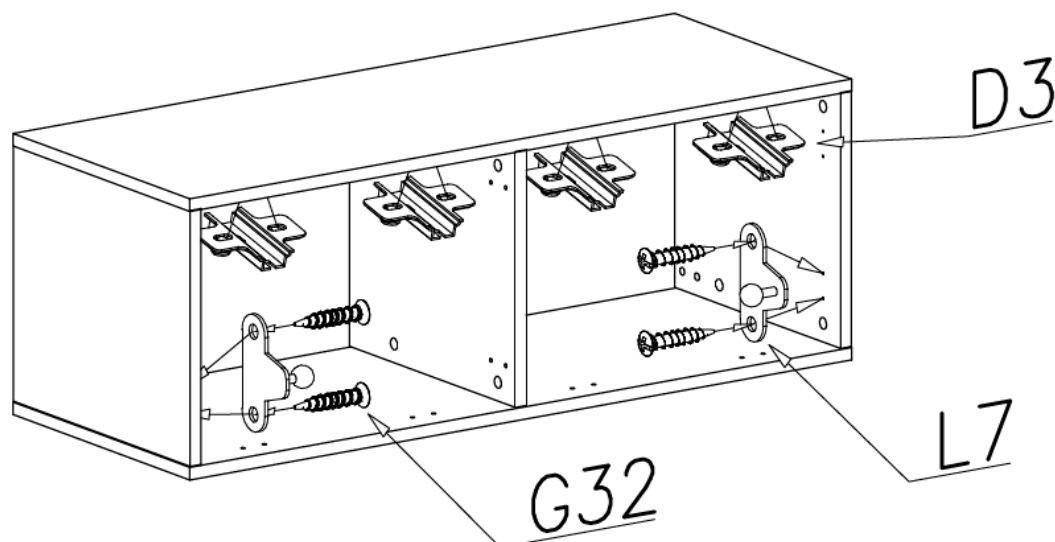
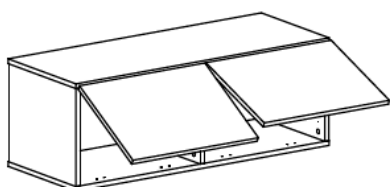


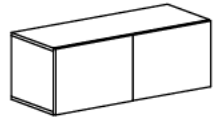


IX

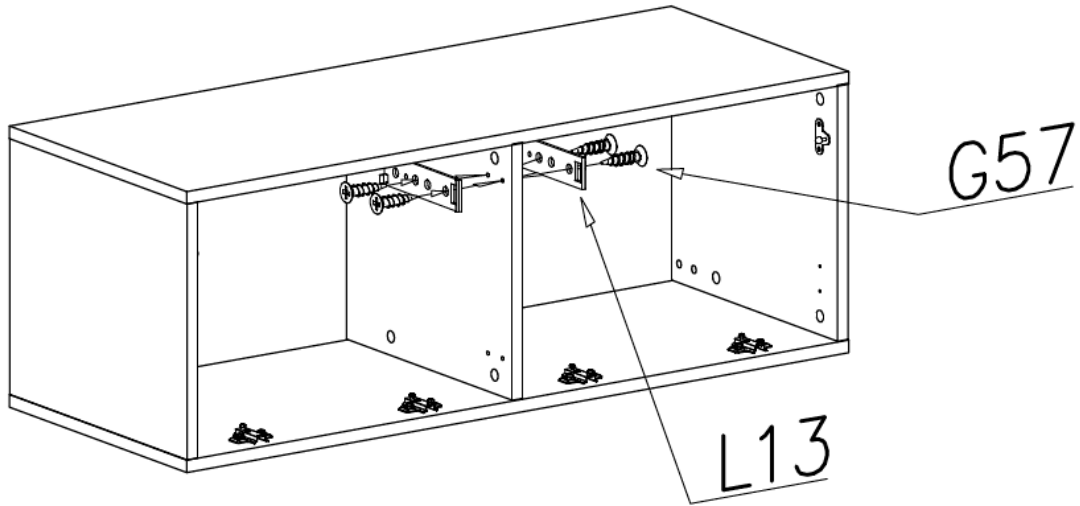
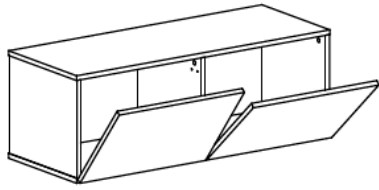


IX

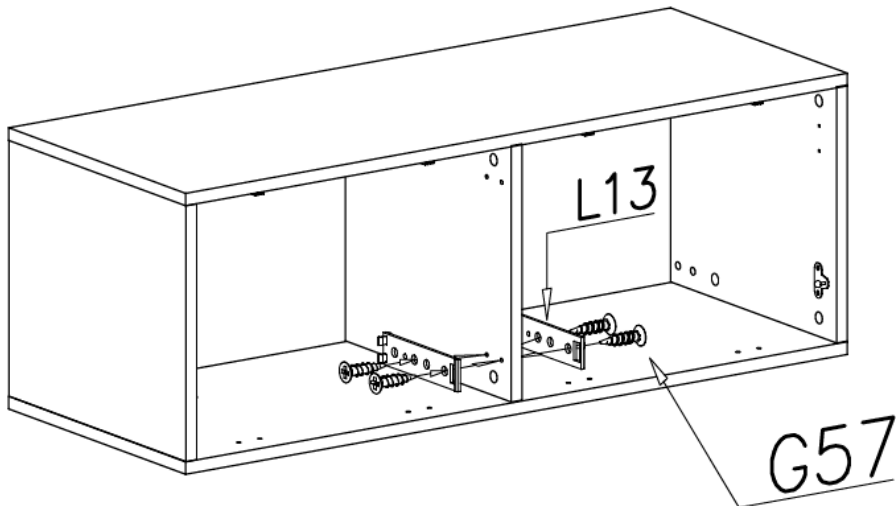
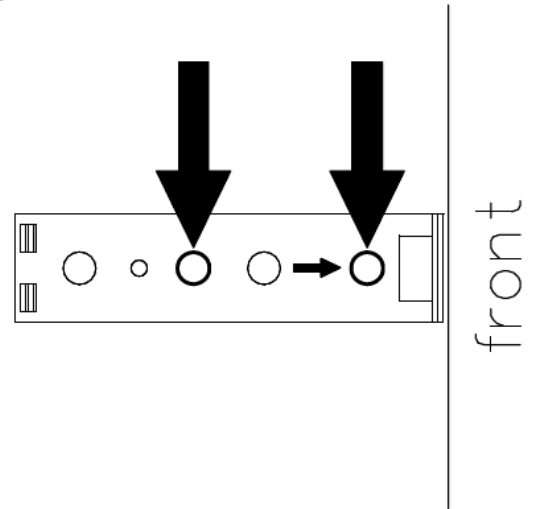
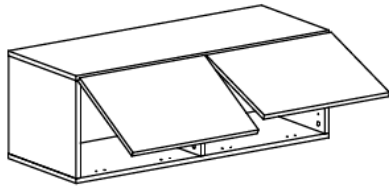


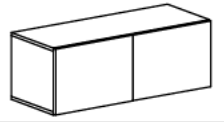


X

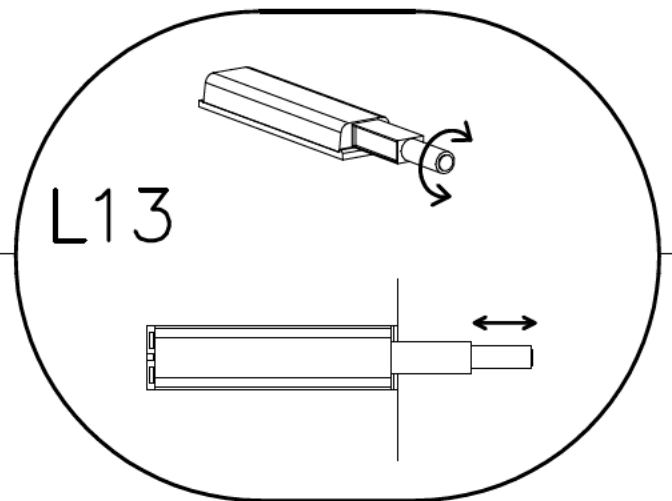
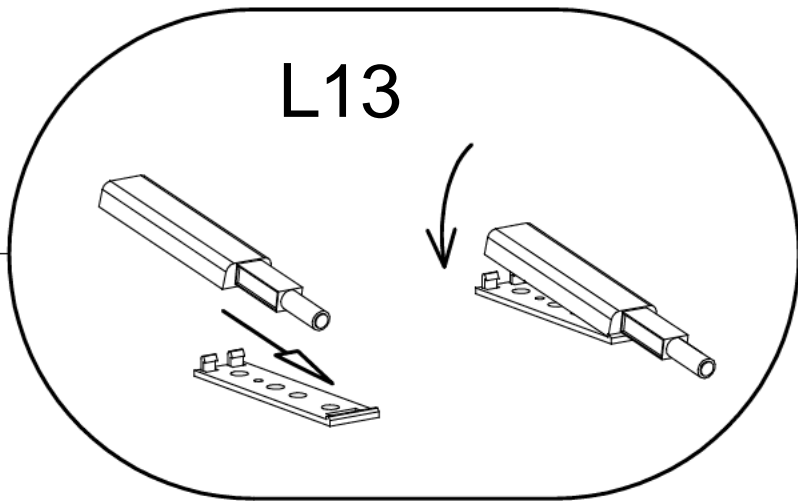
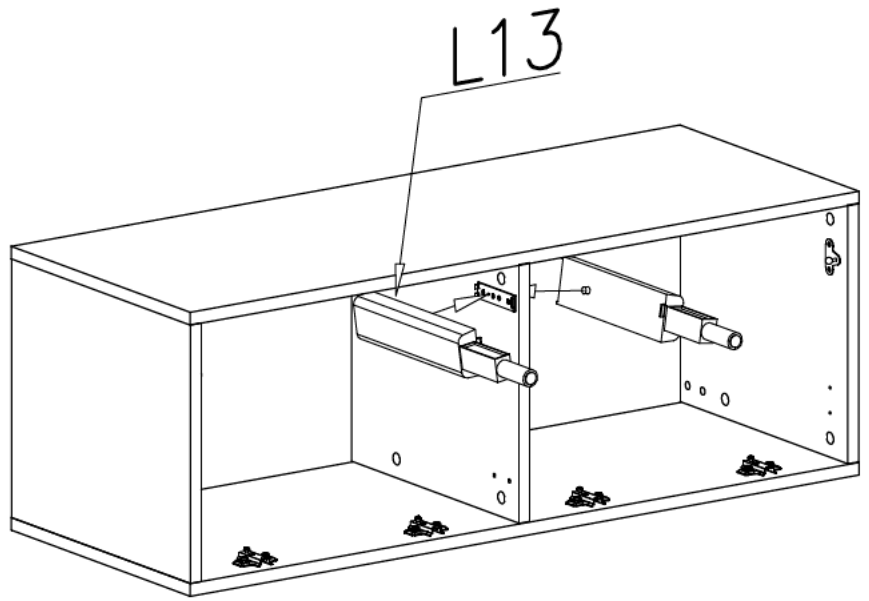
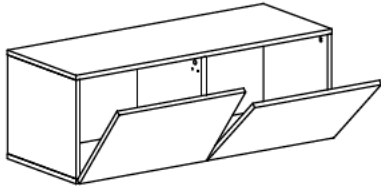


X

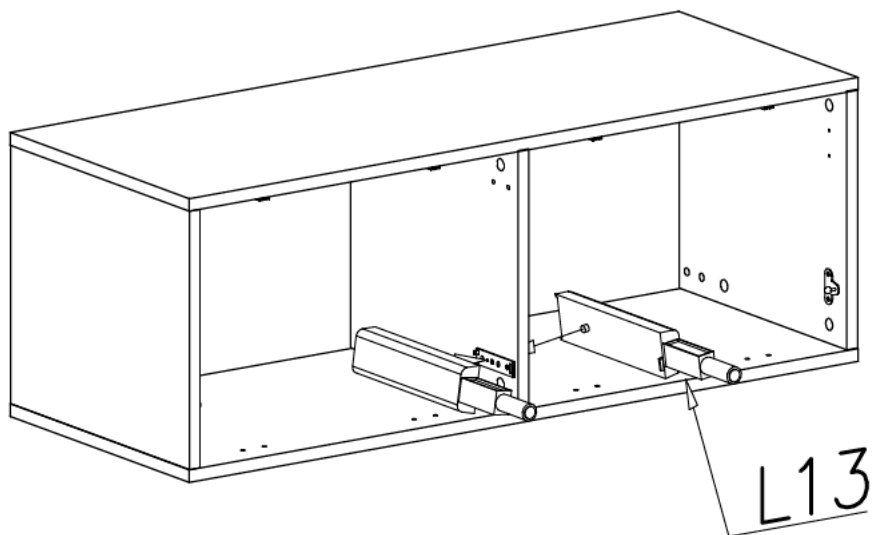
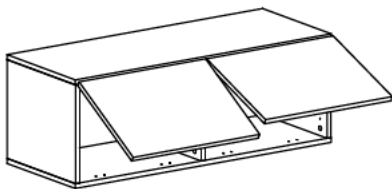


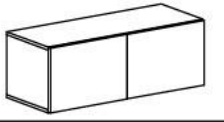


XI

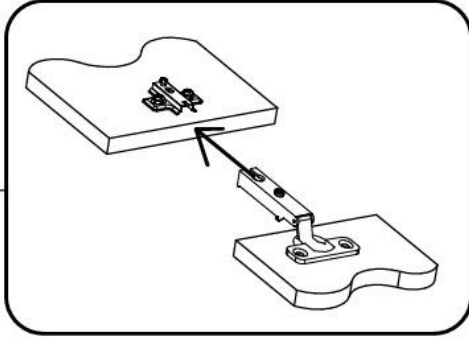
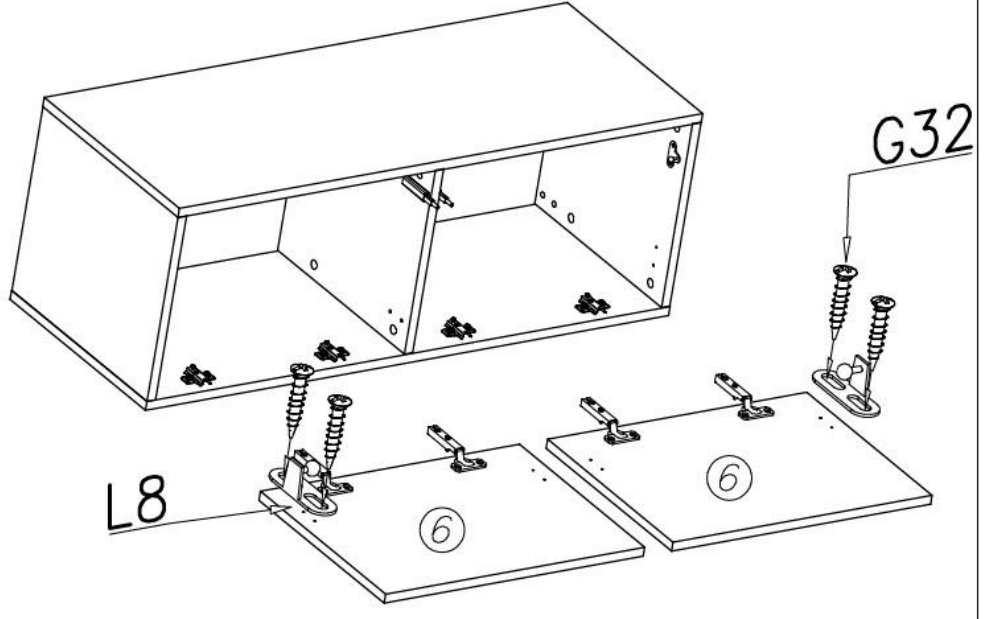
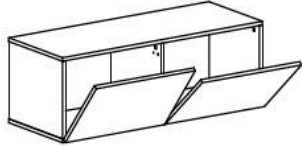


XI

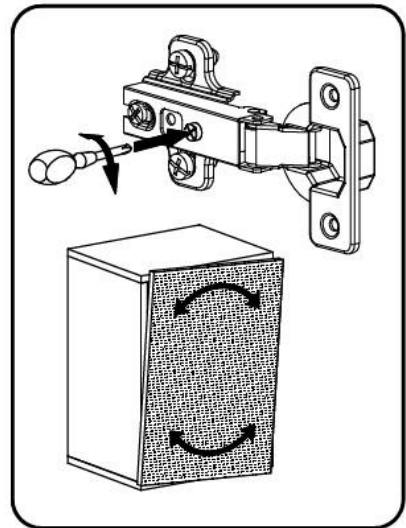
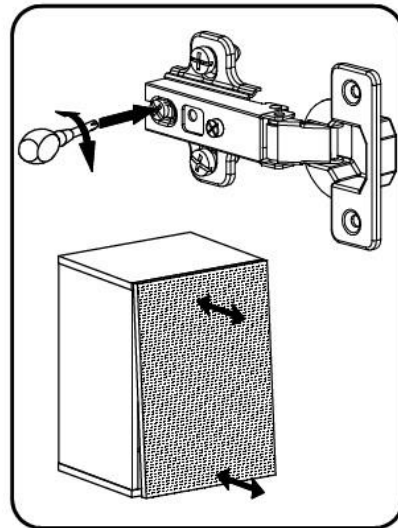
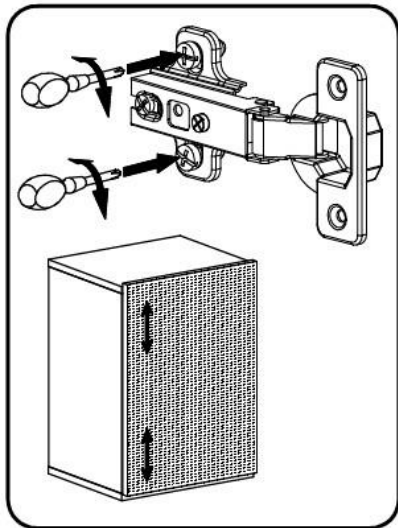
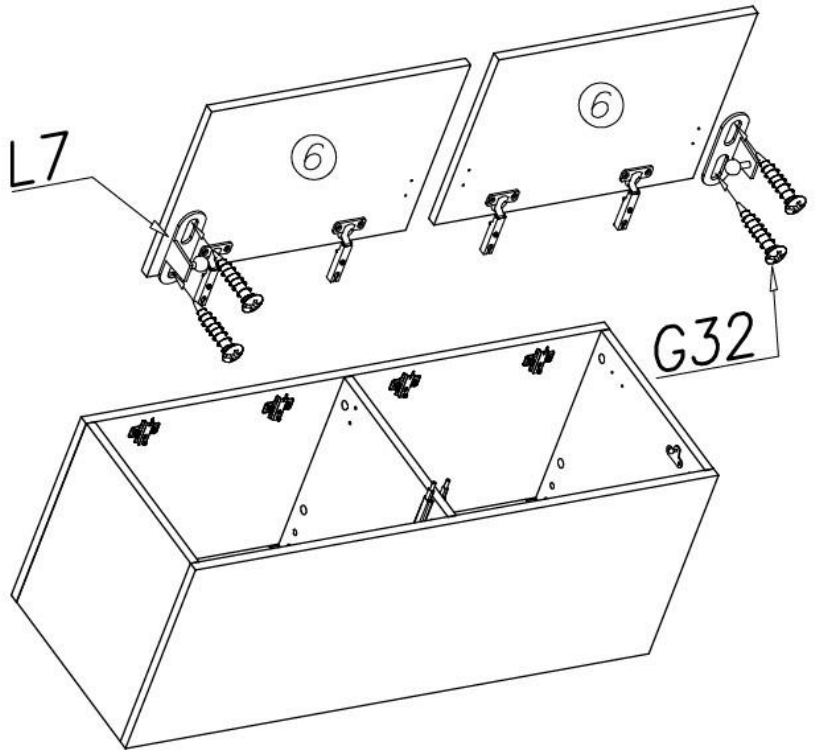
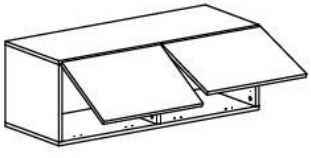


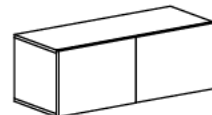


XII

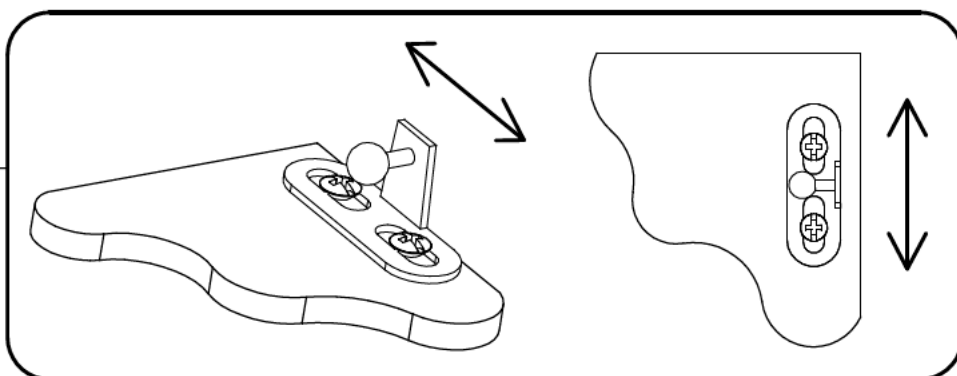
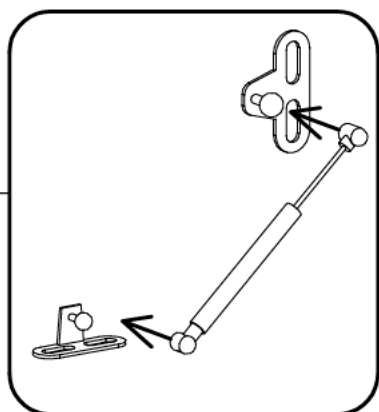
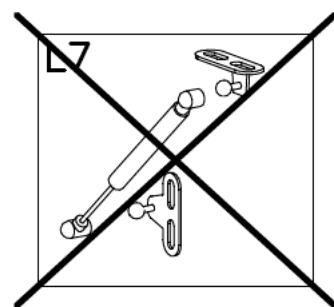
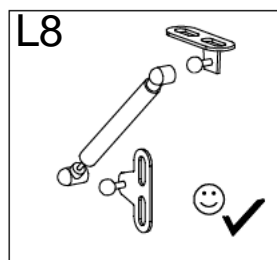
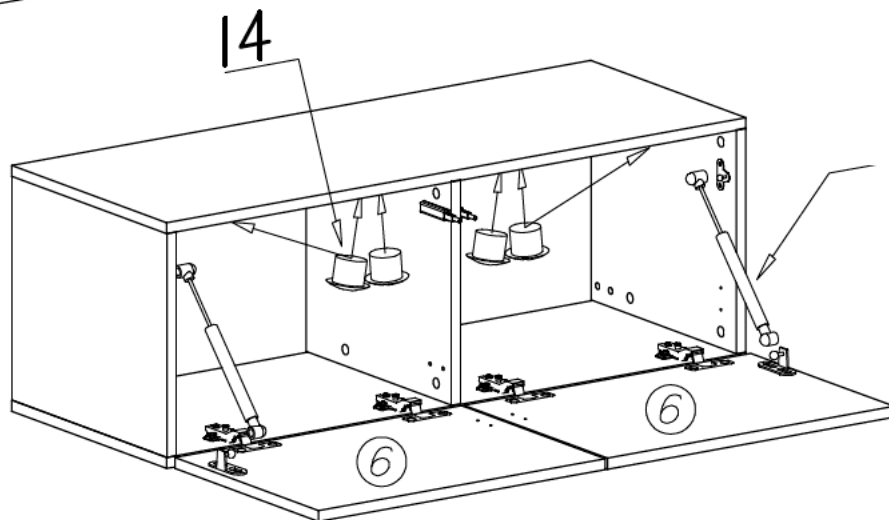
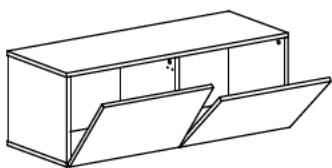


XII

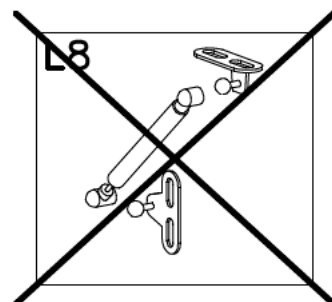
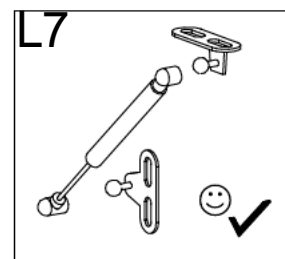
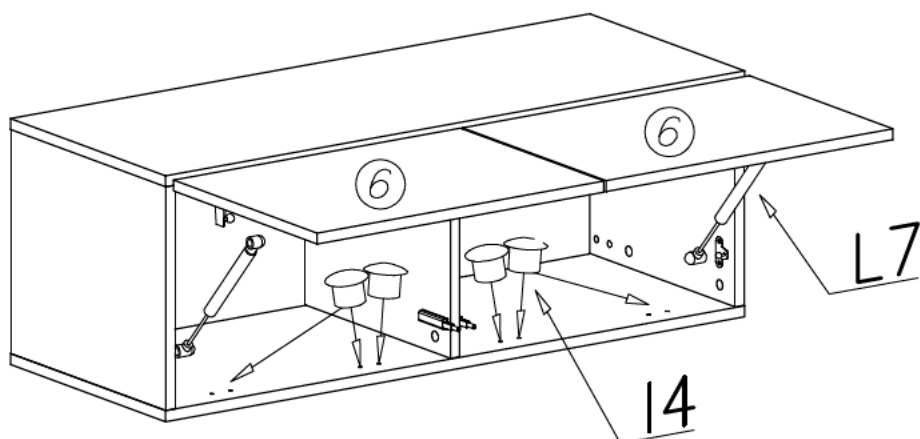
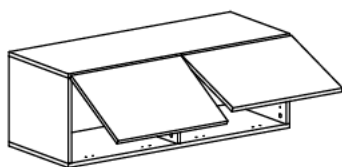


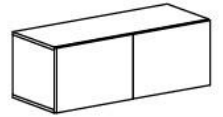


# XIII

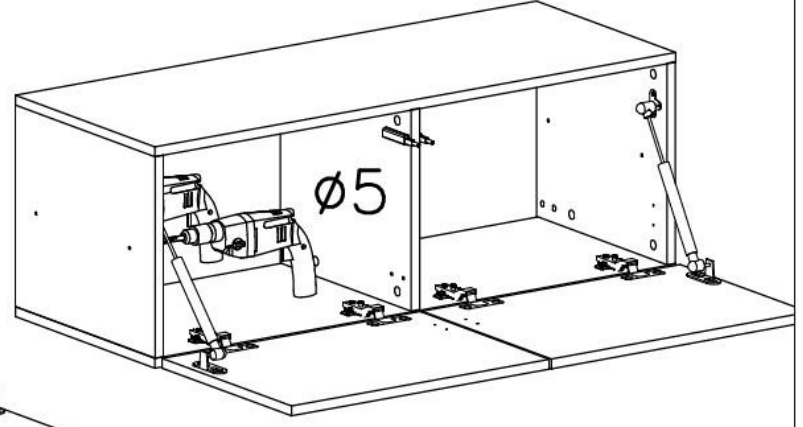
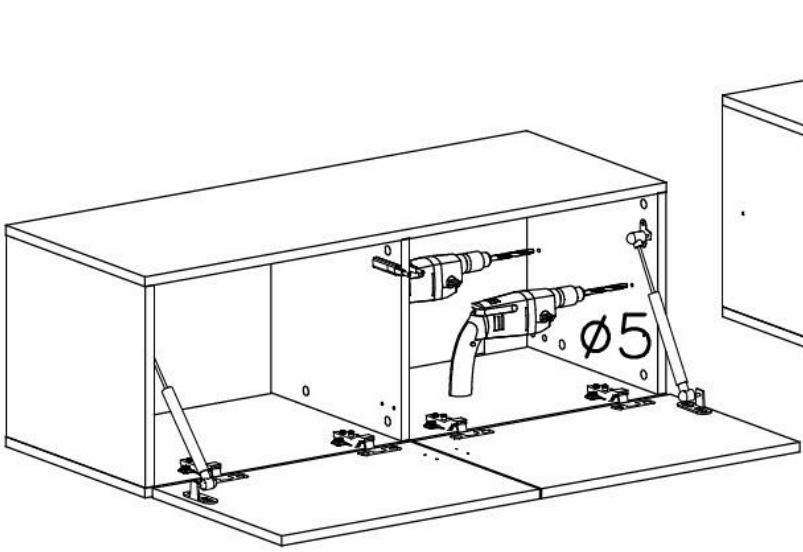
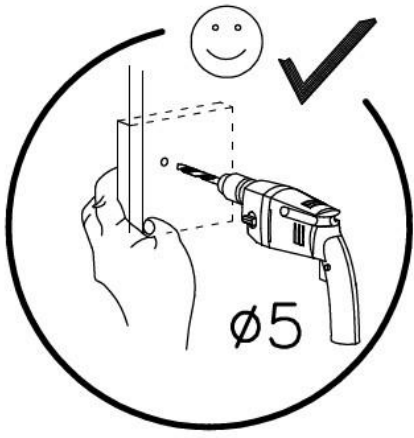


# XIII

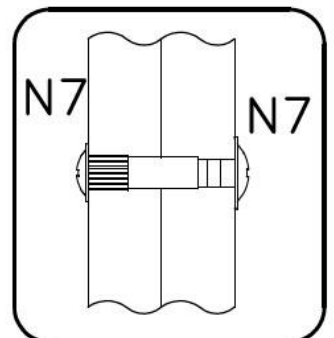
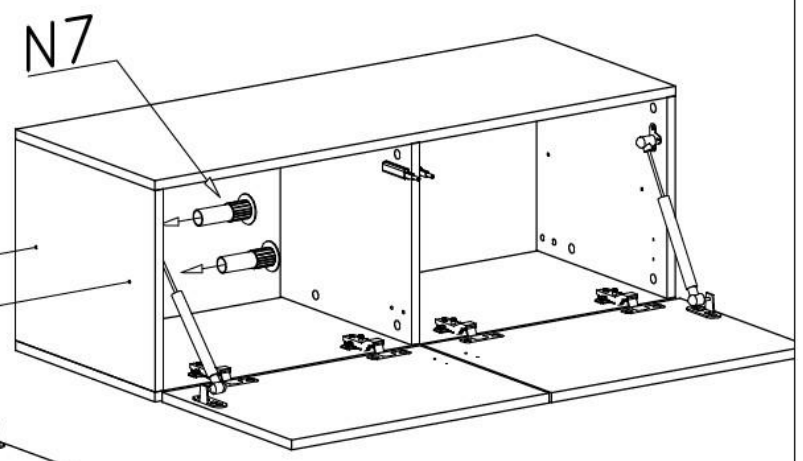
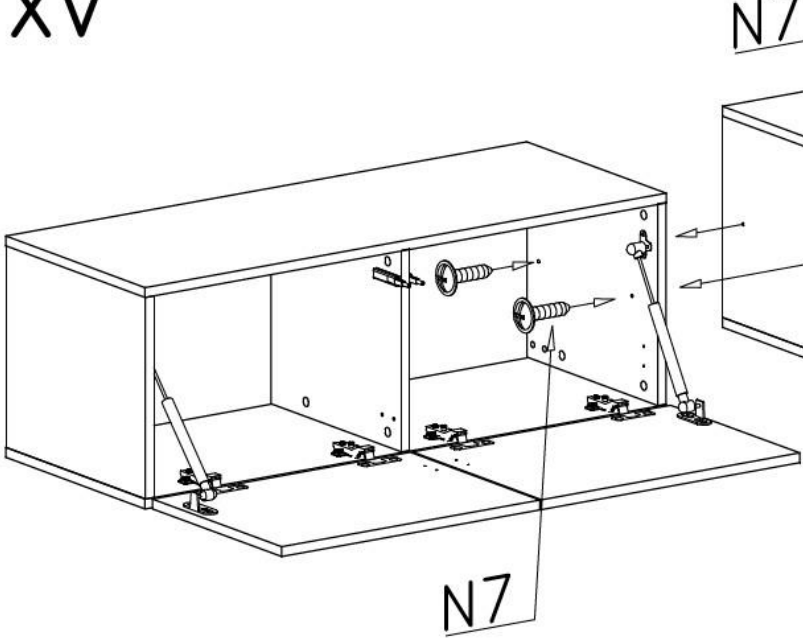


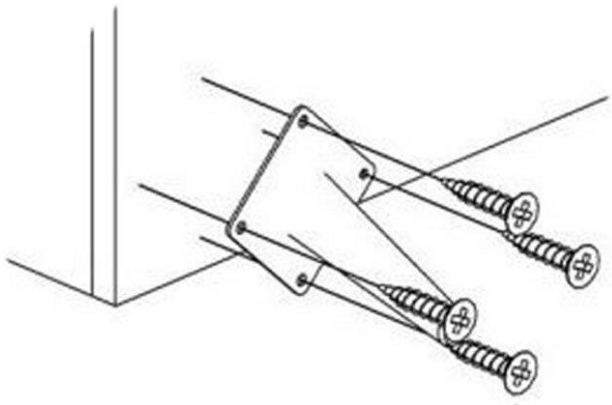


# XIV

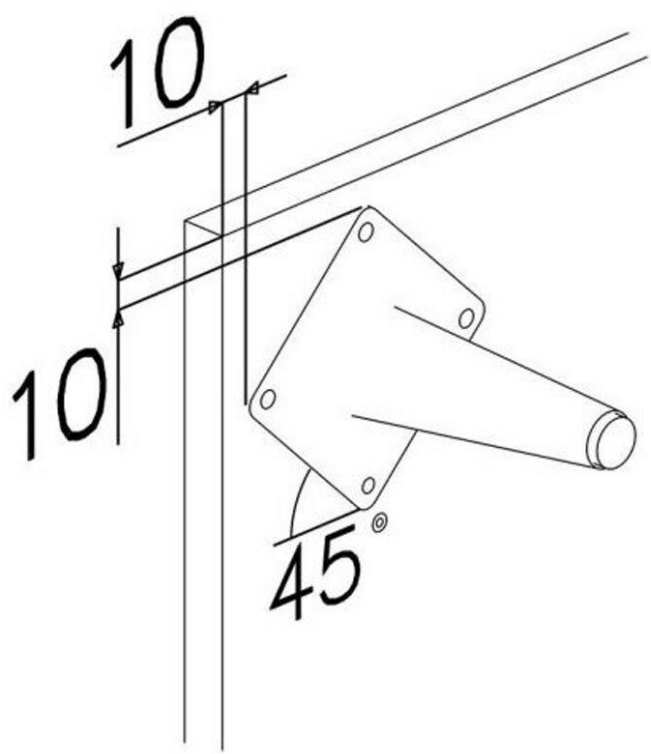


# XV





G4



LEG



G4 Ver. A  
4x16 x...(16)

x...(4)

