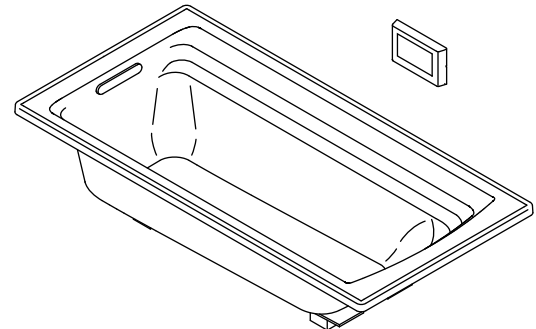


### 6' VIBRACOUSTIC® DROP-IN BATH K-1124-VB

ADA

#### Features

- Acrylic
- VibrAcoustic technology emits sound waves and offers a surround sound experience
- Six transducers and a control amplifier with 25' (7.6 m) of wiring
- User-friendly high-resolution color touch screen in polished chrome
- Slotted overflow for maximum bathing depth
- Comfort Depth® design offers a 19" (483 mm) step-over height
- Molded lumbar support and armrests for comfort
- Textured bottom surface
- Drop-in installation
- Reversible drain
- 72" (1829 mm) x 36" (914 mm) x 19" (483 mm)



#### Codes/Standards Applicable

Specified model meets or exceeds the following:

- ADA
- CSA B45.5/IAPMO Z124
- ICC/ANSI A117.1
- ASTM E162
- ASTM E662
- UL 1795

#### Colors/Finishes

- 0: White
- CP: Polished Chrome
- BN: Brushed Nickel
- Other: Refer to Price Book for additional colors/finishes

#### Specified Model

Model	Description	Colors/Finishes	
K-1124-VB	6' VibrAcoustic drop-in bath	<input type="checkbox"/> 0	<input type="checkbox"/> Other_____
<b>Recommended Accessories</b>			
K-7271	Clearflo slotted overflow brass bath drain <b>OR</b>	<input type="checkbox"/> CP	<input type="checkbox"/> Other_____
K-7272	Clearflo slotted overflow bath drain - PVC pipe	<input type="checkbox"/> CP	<input type="checkbox"/> Other_____
<b>Optional Accessories</b>			
1172315	VibrAcoustic interface mounting plate (non-CP finish)		<input type="checkbox"/> BN
K-1491	Bath pillow <b>(Continued)</b>	<input type="checkbox"/> 0	<input type="checkbox"/> Other_____

#### Product Specification

The acrylic VibrAcoustic bath shall be 72" (1829 mm) in length, 36" (914 mm) in width, and 19" (483 mm) in height. Bath shall be for drop-in installation. Bath shall feature VibrAcoustic technology offering a surround sound experience. Bath shall have six transducers and a control amplifier with 25' (7.6 m) of wiring. Bath shall feature user-friendly high-resolution color touch screen in polished chrome. Bath shall have molded lumbar support and armrests for comfort. Bath shall feature a textured bottom surface. Bath shall have slotted overflow for maximum bathing depth and features a Comfort Depth design for a 19" (483 mm) step-over height. Bath shall feature a reversible drain. Bath shall be Kohler Model K-1124-VB-\_\_\_\_\_.

# ARCHER®

K-1601	<b>(Continued)</b> Bath footstop	<input type="checkbox"/> 0	<input type="checkbox"/> Other_____
K-9529	Removable bath seat	<input type="checkbox"/> 0	

## Technical Information

Fixture*: *Approx. measurements for comparison only.			
Basin area, bottom	51-3/8" (1305 mm) x 21" (533 mm)		
Basin area, top	64-1/2" (1638 mm) x 30-1/2" (775 mm)		
Weight	81 lbs (36.7 kg)		
Water depth	15" (381 mm) to overflow		
Capacity	72 gal (272.5 L) to overflow		
Drop-in cutout		70-1/2" (1791 mm) x 34-1/2" (876 mm)	
Amplifier/control:	Power per channel	V	Hz
	15 (rms) W	120	50/60z

## Required Electrical Service

Dedicated circuit required, protected with Class A Ground-Fault Circuit-Interrupter (GFCI) or Residual Current Device (RCD): Amplifier/control, 120 V, 15 A, 50/60 Hz

## Installation Notes

Install this product according to the installation guide.

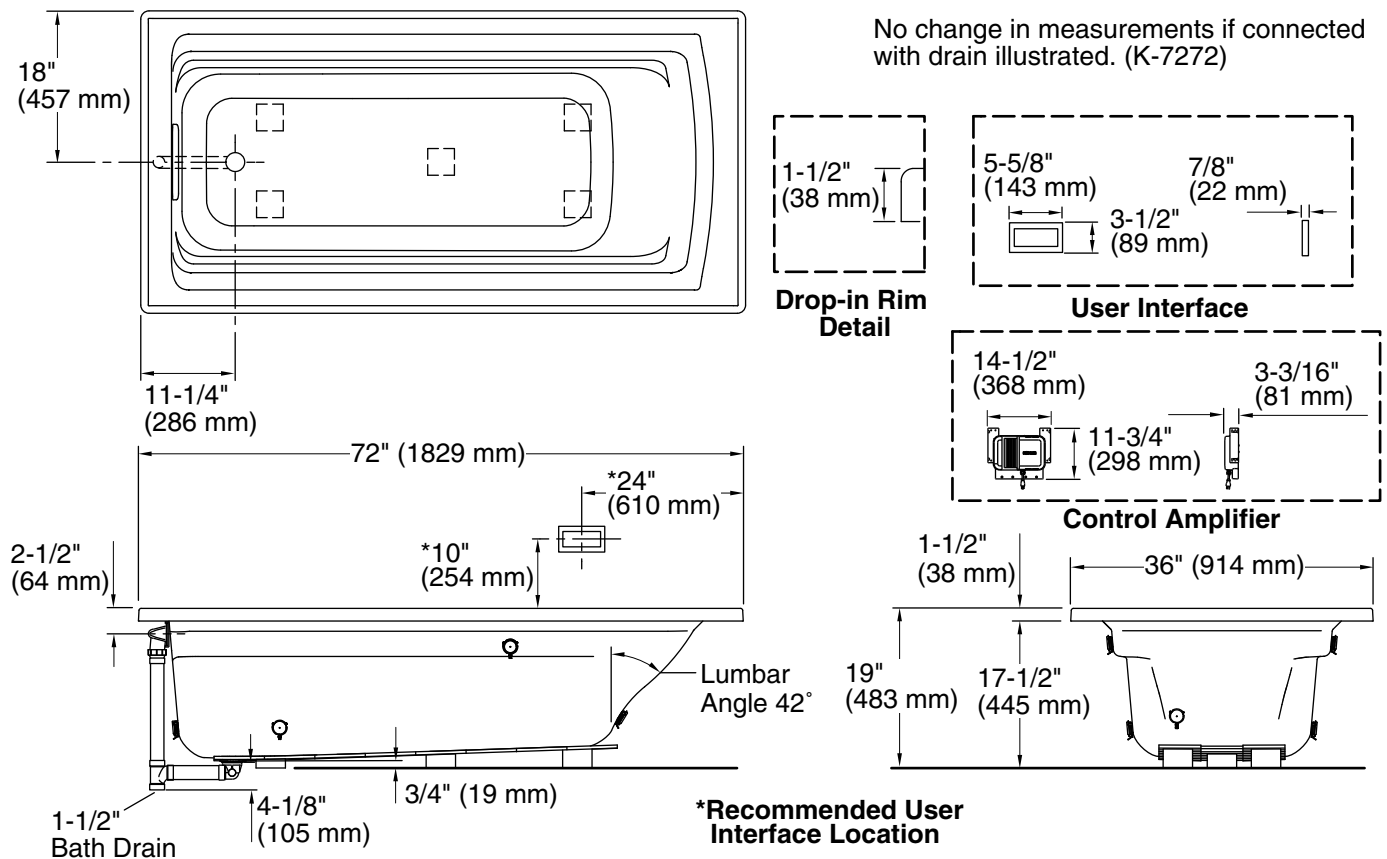
Control amplifier fits 16" (406 mm) center studs. A grounded outlet within the wall framing must be within 24" (610 mm) of the planned control amplifier.

Cables are included, 25' (7.6 m) each.

Floor support under this product must provide for a minimum of 39 lbs/square foot (190.4 kg/square meter) loading.

Will comply with **ADA** when installed per Section 607 Bathtubs of the Act.

Ensure that the bath, user interface, amplifier, and transducers are functional before completing the installation.



## Product Diagram