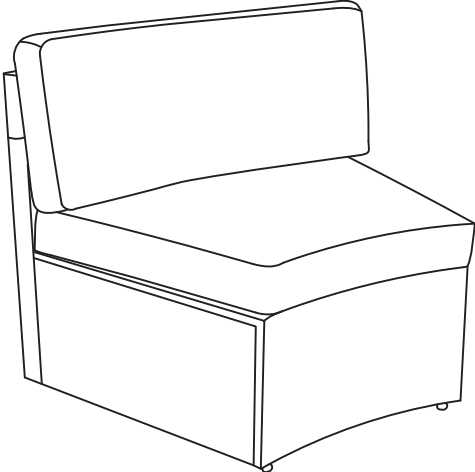


2 x Curved Sofas

x 2





**IMPORTANT, RETAIN FOR
FUTURE REFERENCE:
READ CAREFULLY.**

Safety

- For domestic use only.
- Always use on firm level ground.
- Don't tighten all the bolts before the product is fully assembled.
- It would be useful to ask someone to help you assemble the product.
- Periodic structural checks of this product should be undertaken, do not use if you have any doubts about its fitness for purpose.
- Do not stand on the seat.
- Do not let children play with this product.
- Maximum load per seat: 250 lbs.

At the beginning of the season

- Check to ensure that all components and fixings of this product are secure, do not use if you have any doubts about its fitness for purpose.

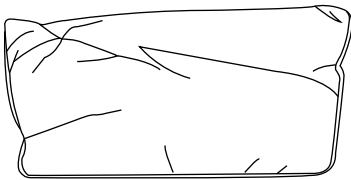
At the end of the season

- This product should be stored under cover during prolonged spells of adverse weather (wet or cold) and also during the winter (ideally in a garden shed or garage).
- Always clean and dry thoroughly before storage.

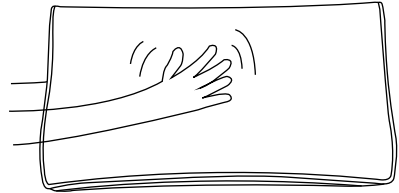
Tips for Cushions

In order to compress the package, we put the cushions in the gap of some parts. So there may be crinkle on the fabric. Don't worry. Just flap every corner of the cushion evenly and it will get back into its original shape soon.

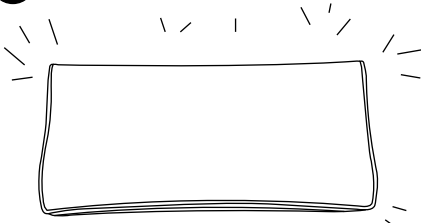
1



2



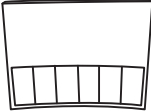
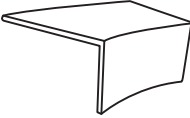
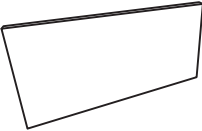

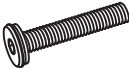

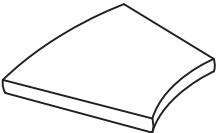
3



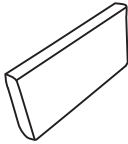

OK



COMPONENT LIST - CURVED SOFA

Item no.	Reference Image	Description	Qty.
A		Seat Back	1
B		Seat Base	1
G		Side Panel	2
I		Washer	10
H		M6X35 Head Cap Screws	10
Z1		Allen Key	1
J		Seat Cushion	1

COMPONENT LIST - CURVED SOFA

Item no.	Reference Image	Description	Qty.
K		Back Cushion	1
L		Adjustable Feet	5

NOTE:

When tightening the Screws, tighten sequentially.

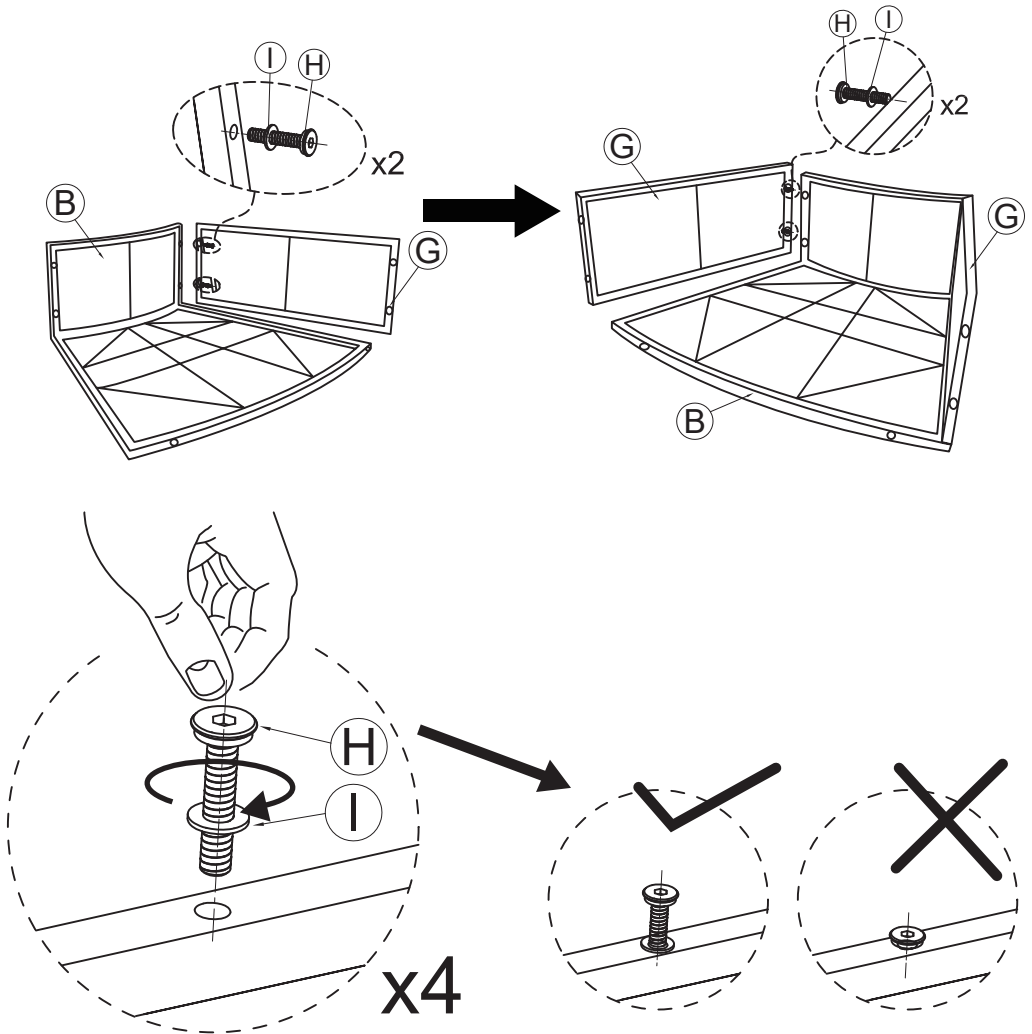
DO NOT tighten any Screws fully and then move on to the next one.

This may cause the frame to warp.

If there is still wobbles or screw holes cannot be aligned, loosen the bolts and execute this same process.

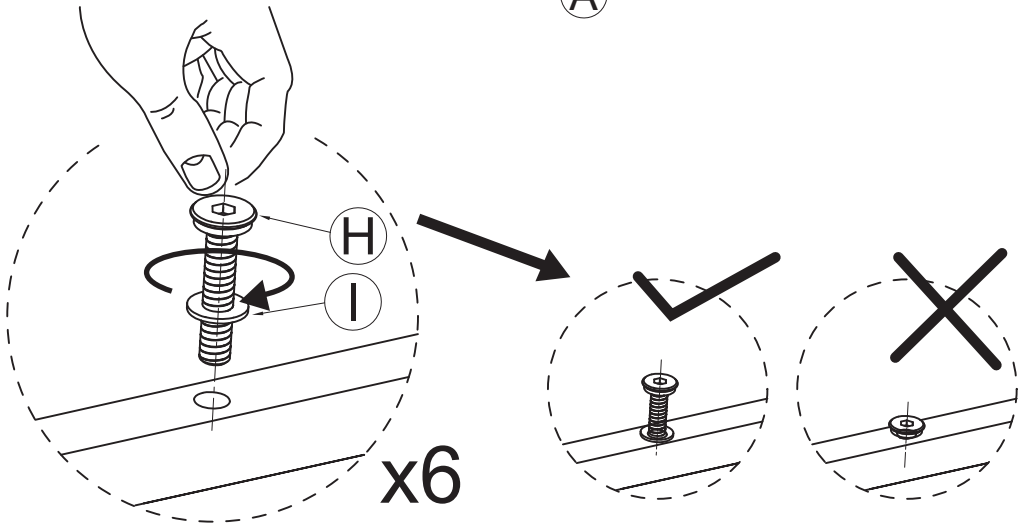
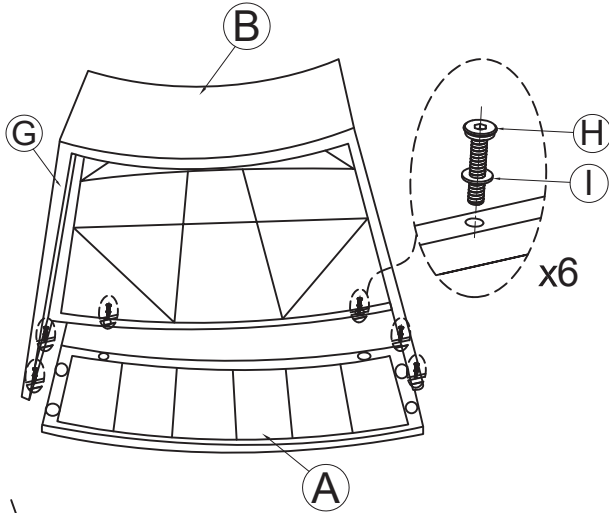
If the Sofa is not stable it could lead to damage to the product.

- 1** Attach the two Side Panels (G) to the Seat Base (B) by securing with Head Cap Screws (H) and Washers (I). Do this in 4 places.



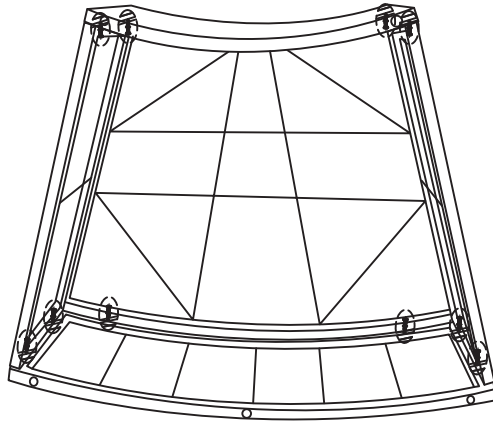
NOTE: DO NOT TIGHTEN THE SCREWS COMPLETELY.

- 2** Attach the two Side Panels (G) and Seat Base (B) to the Seat Back (A) by securing with Head Cap Screws (H) and Washers (I). Do this in 6 places.

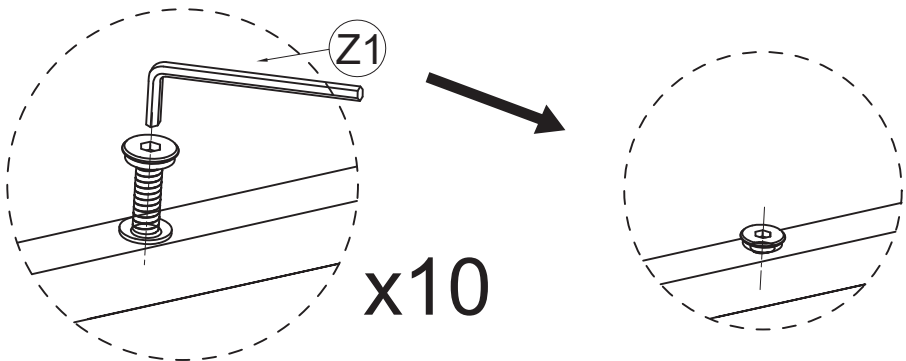


NOTE: DO NOT TIGHTEN THE SCREWS COMPLETELY.

3

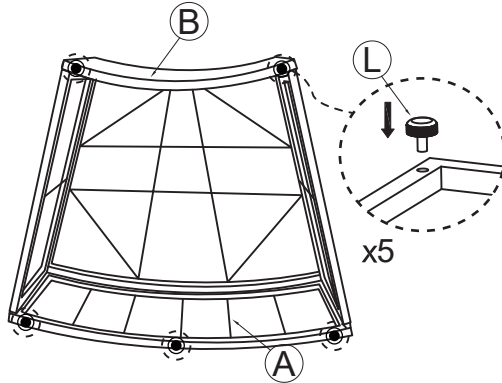


Tighten all 10 Screws into place with Allen Key (Z1).

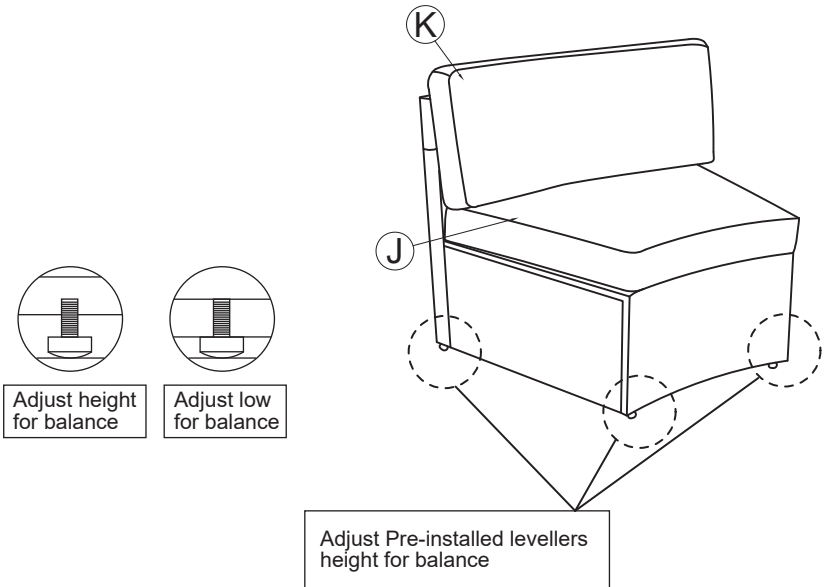


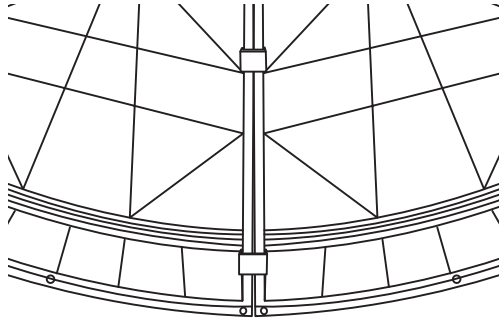
NOTE:IF ANY SCREW HOLES CANNOT BE ALIGNED,
LOOSEN ALL THE SCREWS AND GO BACK STEP
1 AND RESTART ASSEMBLY.

- 4** Complete the assembly of adjustable feet (L) as picture. Do this in 5 places.



- 5** Place the chair on a level surface, and adjust height for balance. Place Seat Cushion (J) and Back Cushion (K) on the chair. Your Chair is ready for use.





Sectional outdoor wicker patio sofa is very light weight in nature and subject to movement.

These high quality fasteners prevents movement between modules to maintain the aesthetically good look of your modular patio furniture set.

Two fasteners are recommended between Two adjoining module.

