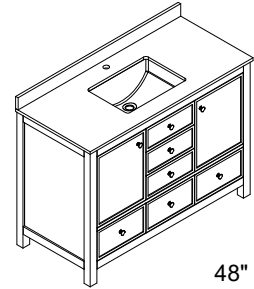
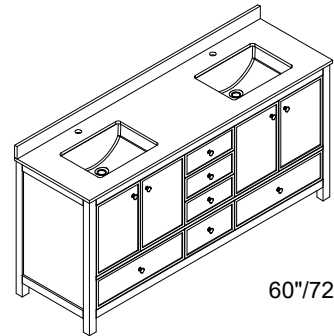


Bathroom Vanity

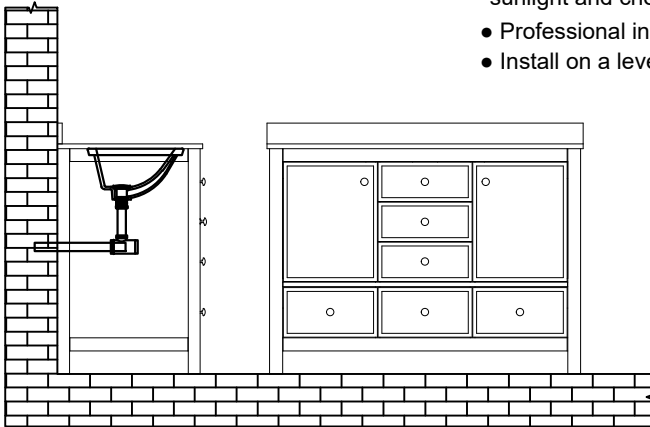
- Prior to installation please check received items against the "Packing List". Please report any missing items to your retailer immediately.
- Protect all surfaces from sharp objects, high heat sources, direct prolonged sunlight and chemical hazards.
- Professional installation recommended.
- Install on a level surface



48"

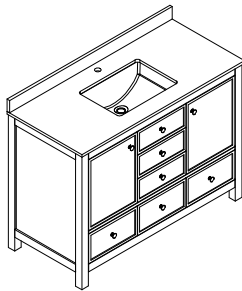


60"/72"

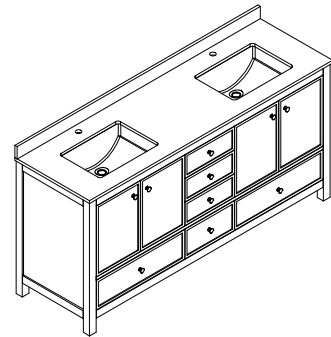


PACKING LIST

(Not all components may be included, depending upon your purchase)

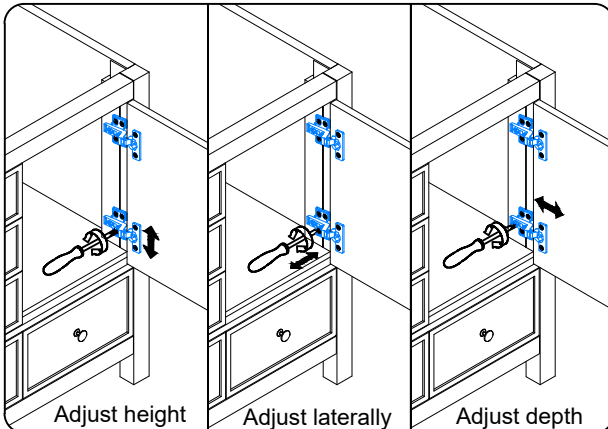


(48" Main Cabinet/1 + Counter /1+ Back Splash/1 +Sink/1)



(60"and 72" Main Cabinet/1 +Counter /1+Back Splash/1 +Sink/2)

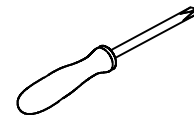
HOW TO ADJUST HINGES (if required)



REQUIRED TOOLS NOT IN BOX



Silicone sealant

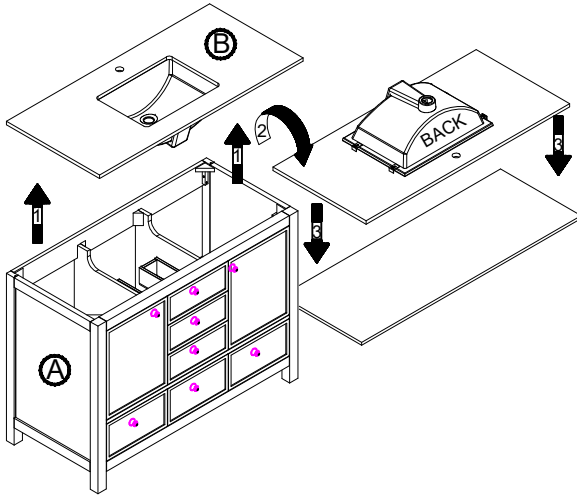


Phillips Screwdriver

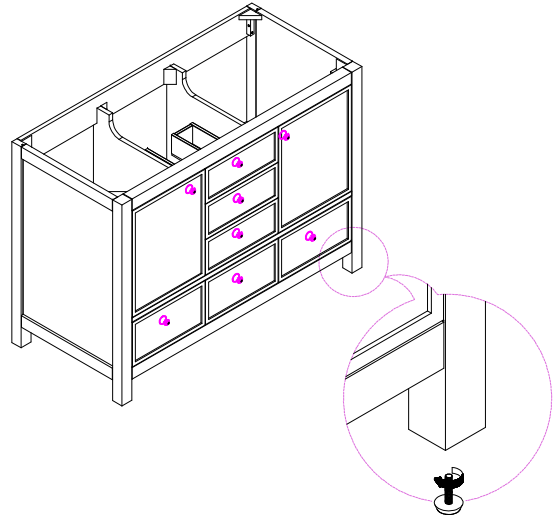
YD03
Installation Guide

Bathroom Vanity

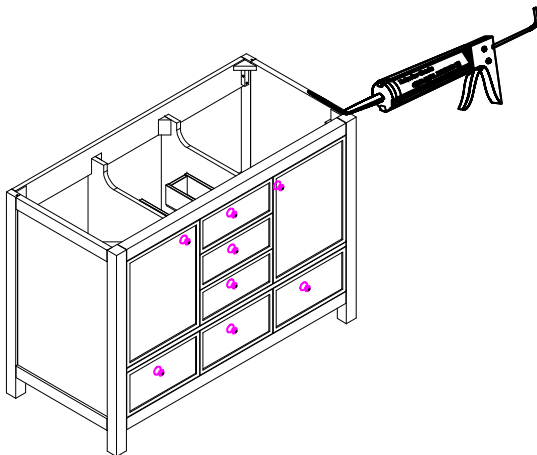
1. Please remove the top (B) from the vanity (A)
Place the top (B) and backsplash (C) face
down onto a scratch-free surface such
as a cardboard sheet that came in the packaging.



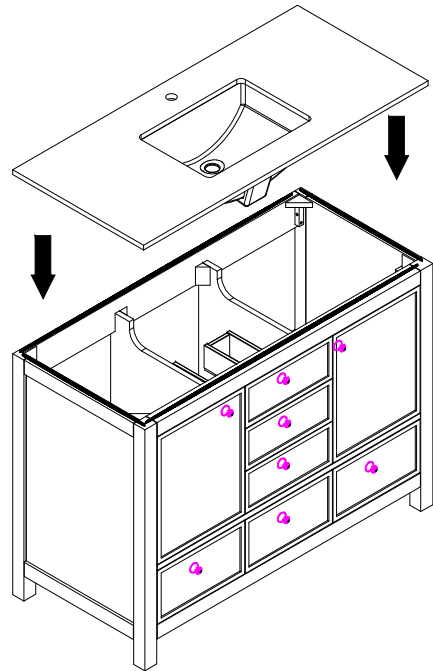
2- ATTACH BASE CABINET TO WALL
Place cabinet in desired location and determine where
the wall studs are. Adjust the feet if needed.



3- PREPARE BASE CABINET
Using a caulking gun, apply silicone around the top
of the base cabinet.



4 - SET COUNTERTOP IN PLACE
Carefully place the countertop, with the sink attached, onto the
cabinet and press down firmly.
Wipe away any excess silicone immediately.

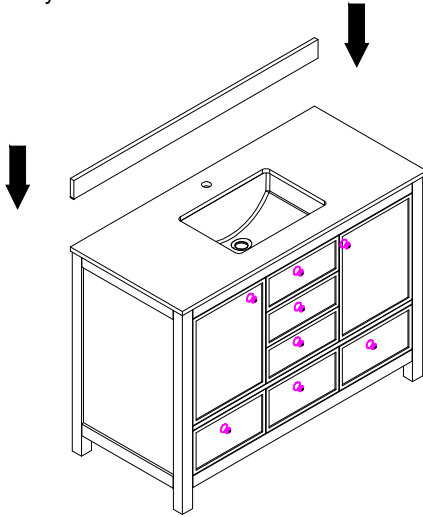


YD03
Installation Guide

Bathroom Vanity

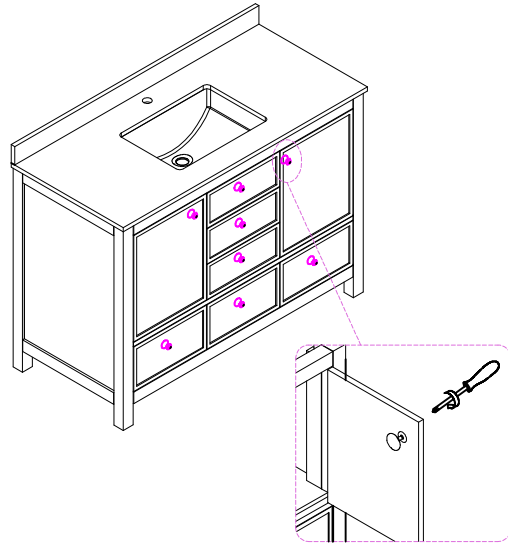
5 - SET BACKSPLASH

After the vanity is in place, use a caulking gun to apply silicone to the back and bottom unfinished sides of the backsplash. Press firmly down and back to set in place. Remove any excess silicone.



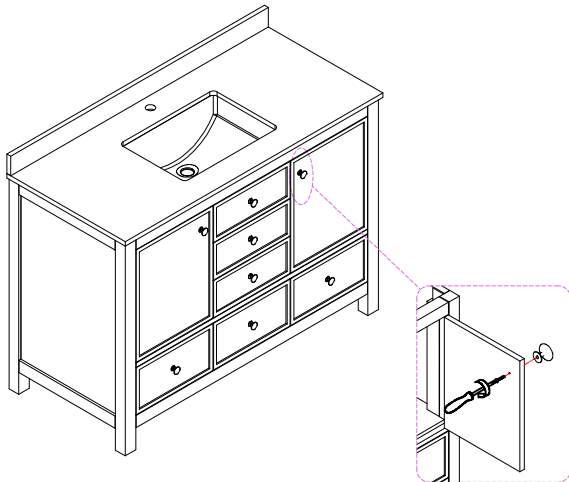
6 - SET HANDLES

The pull handle is installed inside the door and drawer. Need to dismantle it first.



7 - SET HANDLES

Unpack the handles and install them on the vanity. Do not over tighten when attaching. Short screws are for the door handles and long screws are for the drawer handles.




Short, for door handles


Long, for drawer handles

YD03
Installation Guide