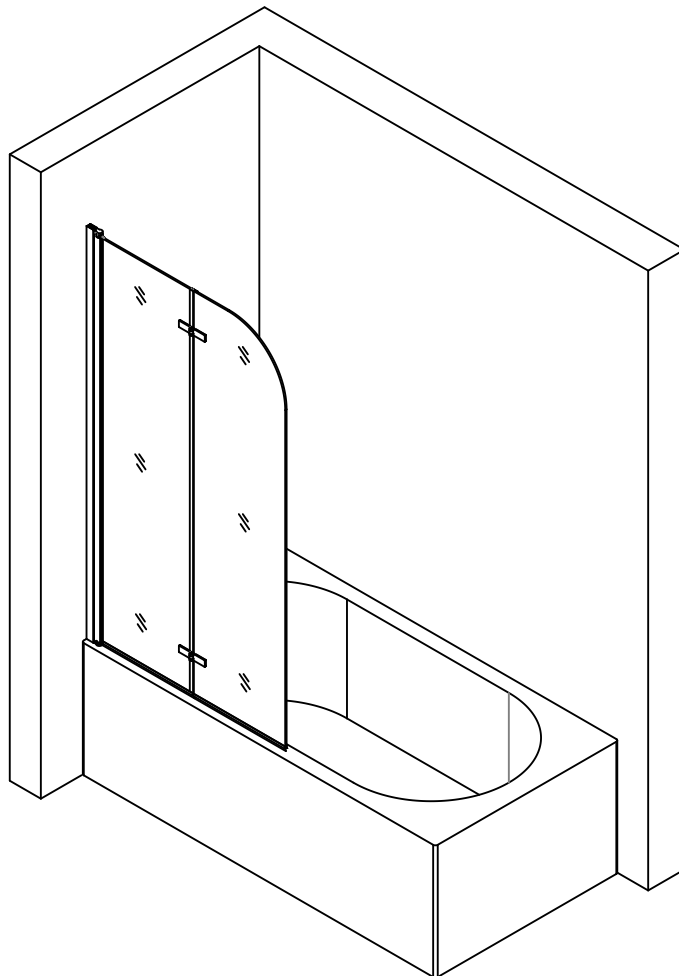


Shower Door Installation Guide

DS02-2



Plz do not just return when meeting difficulties in installation, just contact your seller for help.

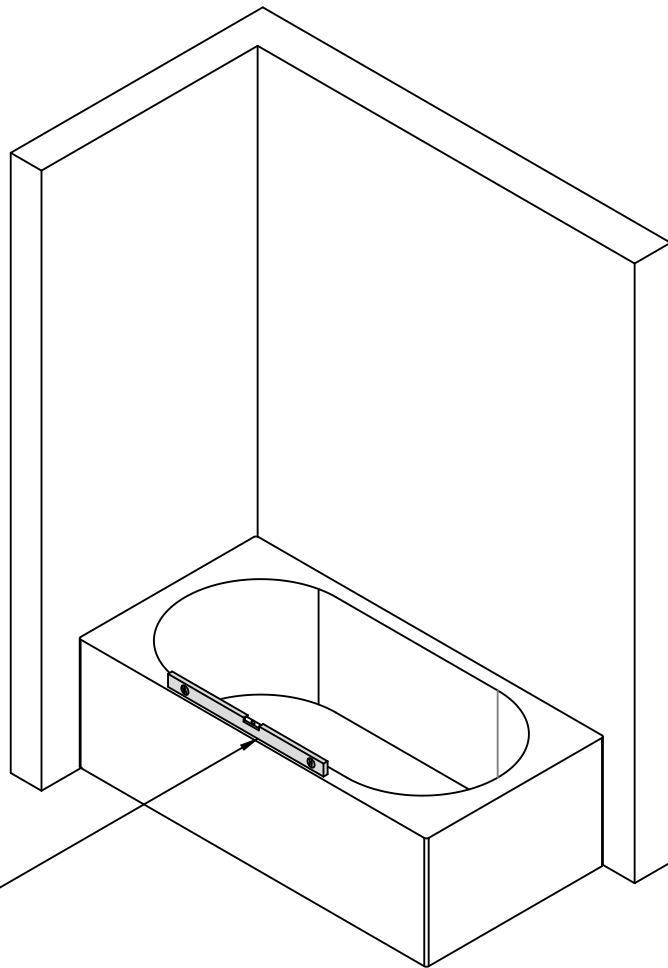
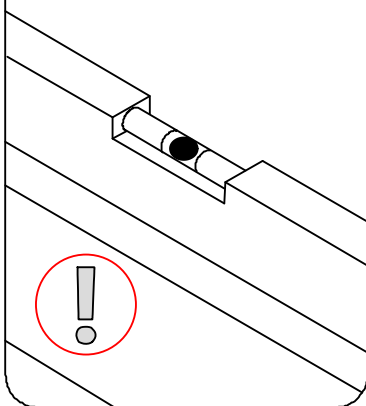
Model Specific Preparation



REQUIRED:

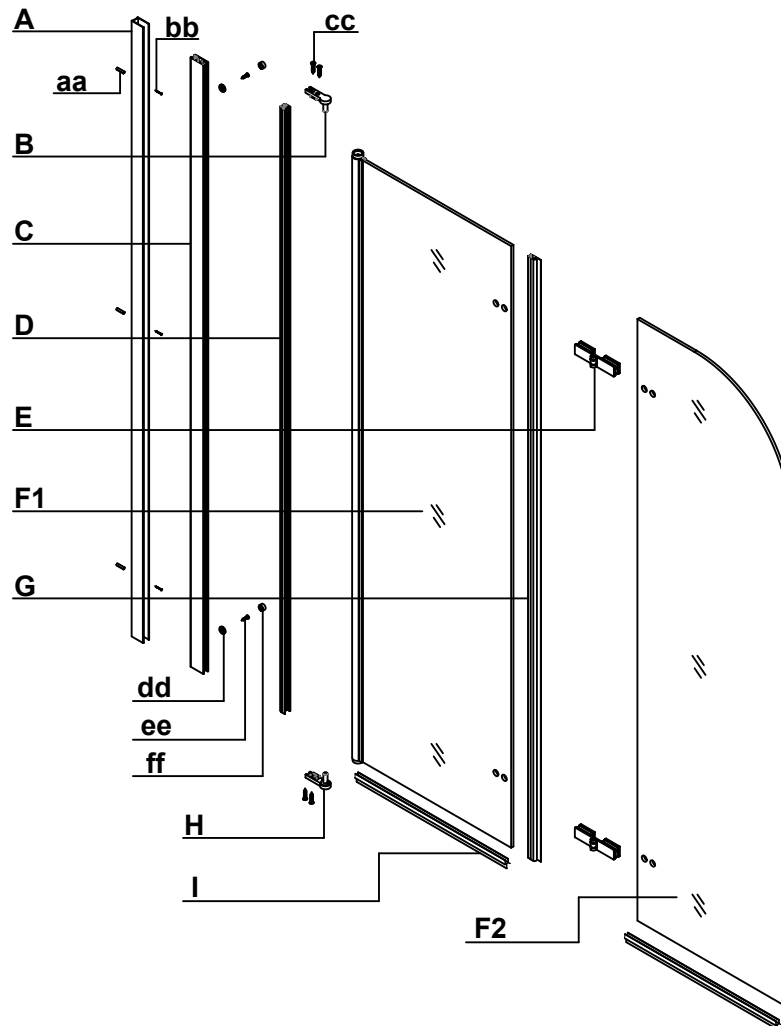
Inspect the shower threshold for level with a level or straightedge. Adjust the threshold as necessary until achieving perfectly horizontal.

The threshold must be perfectly horizontal.



SHOWER DOOR

PACKAGE CONTENT



PARTS LIST

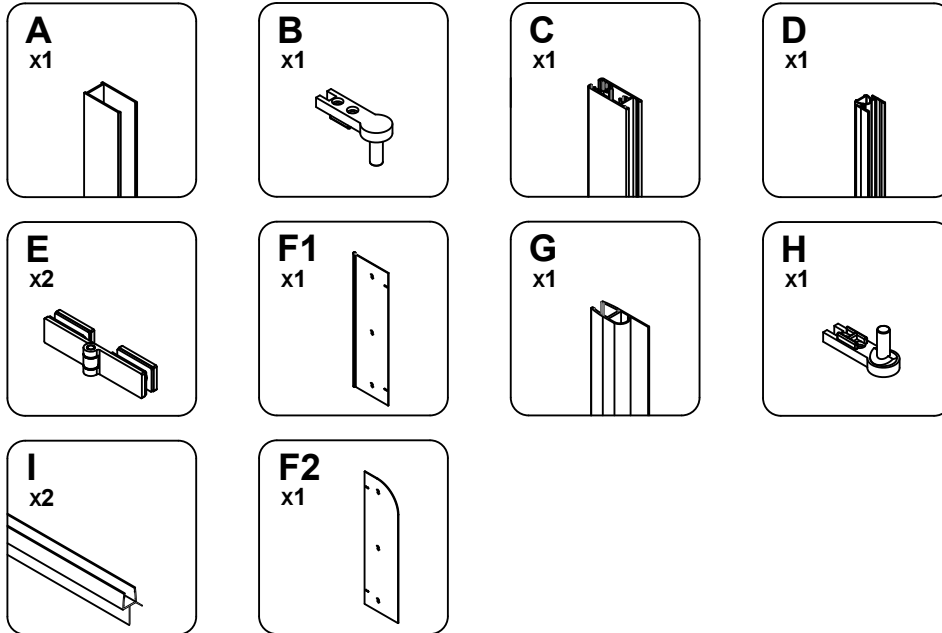
PART#	DESCRIPTION	QTY	PART#	DESCRIPTION	QTY
A	Wall Channel	1	F1	Pivot Door Panel	1
B	Top Pivot Block	1	G	Side Seal Strip	1
C	Side Profile	1	H	Adjustable Bottom Pivot Block	1
D	Seal Strip	1	I	Bottom Sweep Seal	2
E	Folding Hinge	2	F2	Hinge Glass Panel	1

NOTE

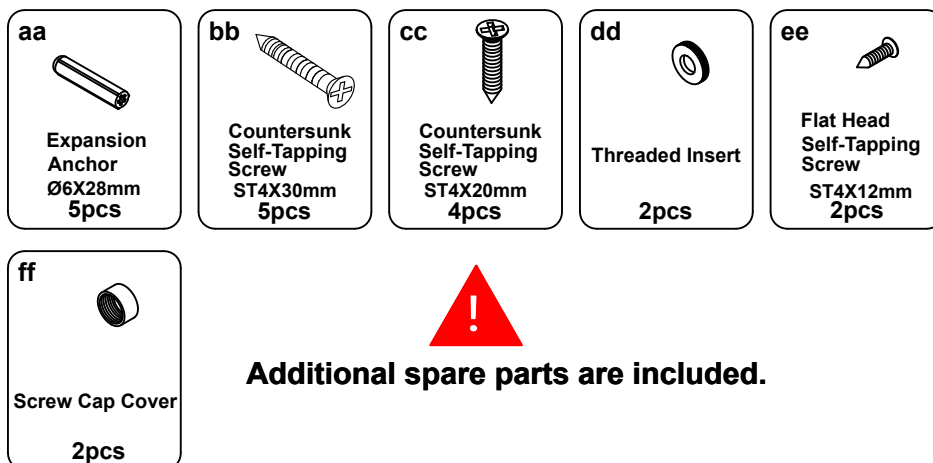
Please inspect all parts for any missing items before installation!
If any part is missing, please contact us.

SHOWER DOOR

PACKAGE CONTENT



HARDWARE CONTENT



NOTE Inspect all parts for any missing items prior to installation!
Contact us if any parts are missing.

SHOWER DOOR

TOOLS REQUIRED

Drill Bits



Ø1/4" & Ø5/16" (6 & 8mm) dia.
HSS

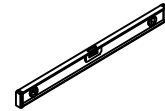
Screw Driver



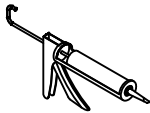
Drill



Level



Silicone



Measuring Tape



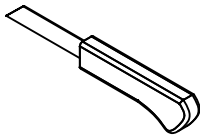
Soft Head Hammer



Pencil



Knife



**Masonry Drill Bit For Tile
Ø6mm**



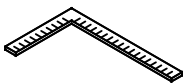
Safety Glasses



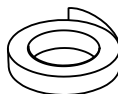
Gloves



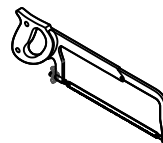
Carpenter's Squarer



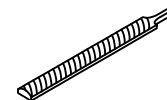
Masking or Painter's Tape



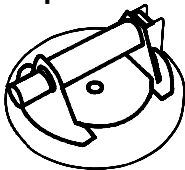
Hack Saw



Metal File



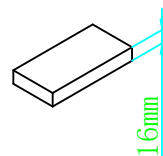
Glass suction Cup



**Drill Bit
Ø3mm**



wooden pad



SAFETY INFORMATION

CAUTION

Please carefully read the following important safety information before handling or installing this shower door. There is a risk of serious injury while handling this product.

To minimize these risks, please note:

- Always wear safety glasses and gloves while handling.
- Always follow the installation instructions.
- Inspect the glass for damage before installation.
- Extreme caution should be taken while handling the glass during installation, as the tempered glass may shatter if it comes into contact with a hard surface.
- Do not cut or modify the tempered glass, as it will shatter if cut.
- Carefully remove the product from its packaging and keep the packaging until the installation is complete.
- Inspect all parts for damage or missing items. If there is any damage or missing parts prior to installation, please contact your seller for help.
- Cover the drain with tape to prevent the loss of small parts.
- The shower base and finished walls should be installed before beginning the shower door installation.
- During installation, protect the shower floor with a drop cloth to prevent damage.
- This product should be installed by two people who are familiar with construction requirements. Professional installation is recommended!
- Keep this installation manual for future reference.

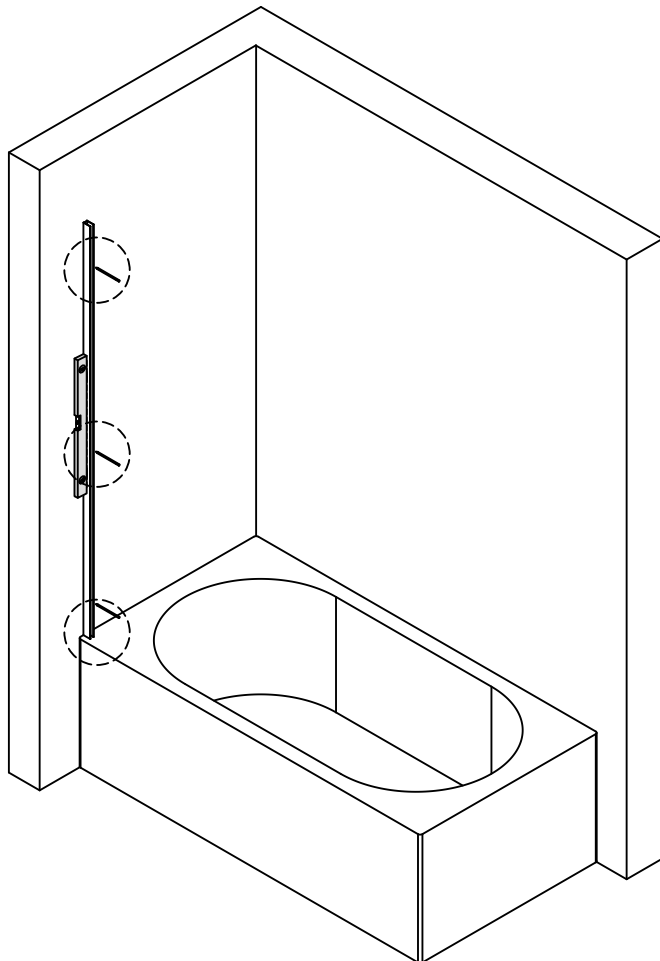
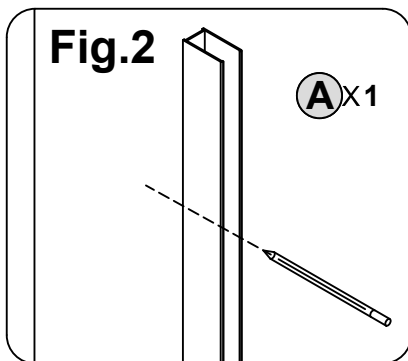
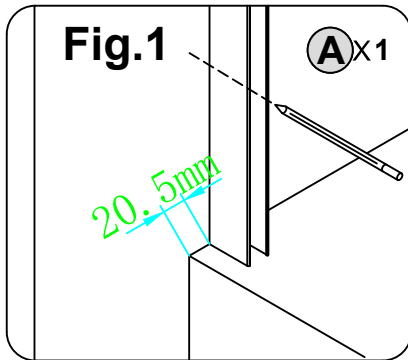
NOTE: Two people should perform this installation.



1 Install **Wall Channel (A)**

NOTE

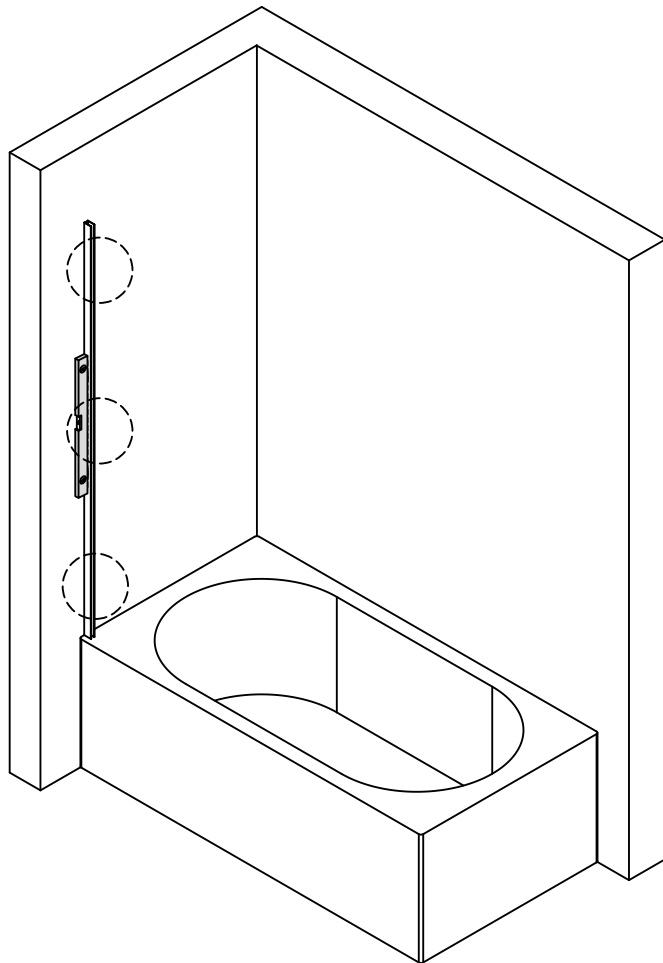
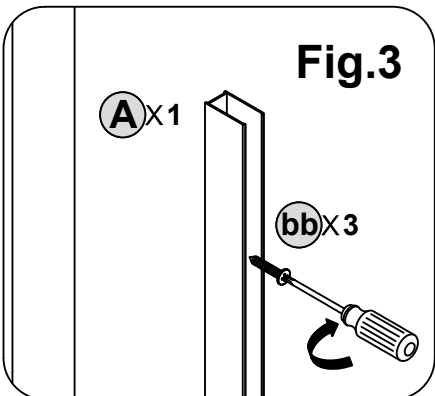
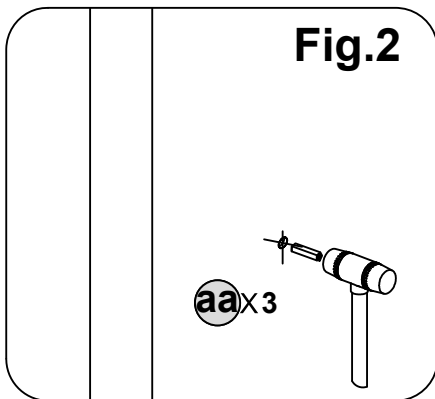
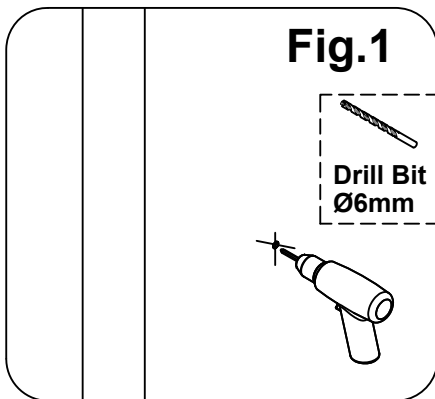
1. Position the **Wall Channel (A)** (13/16") (20.5mm) from the edge. Use a level to ensure the **Wall Channel (A)** is perfectly vertical.
2. Mark the drilling points on the wall through the holes in the **Wall Channel (A)** using a pencil.



2 Install Wall Channel (A)

NOTE

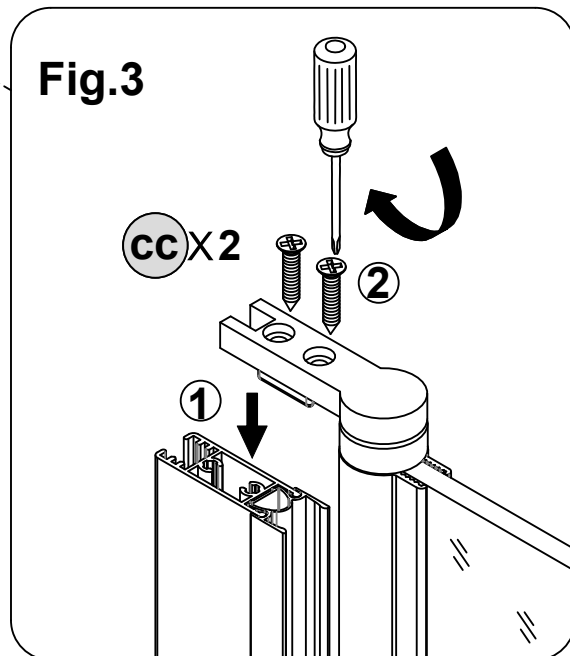
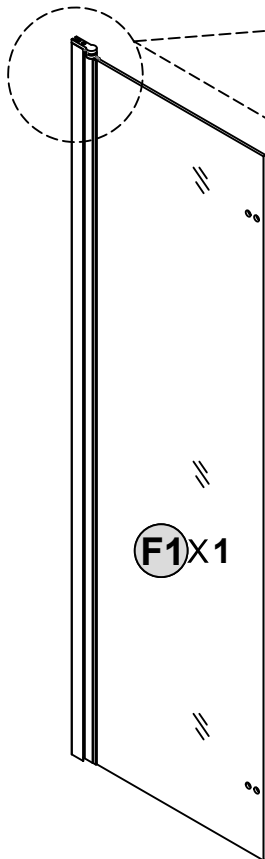
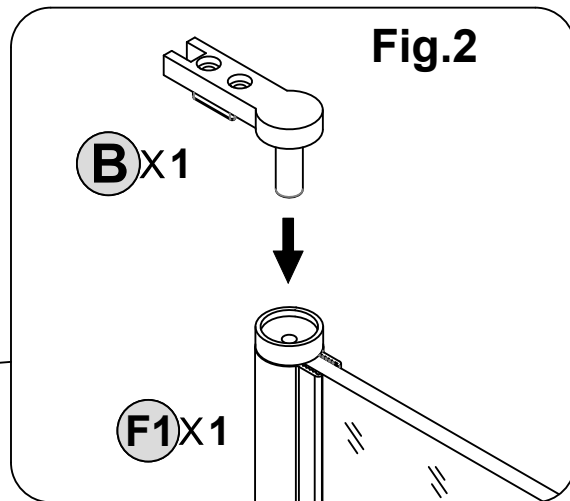
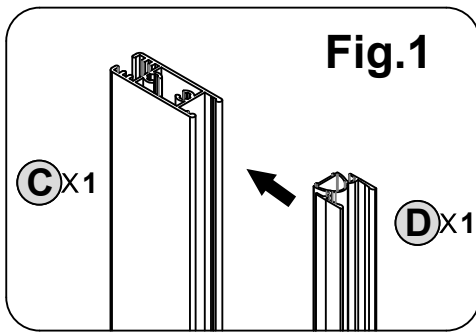
1. Remove the **Wall Channel (A)**. Drill **Ø6mm** holes at the marked points using an electric drill.
2. Tap the **expansion anchors Ø6x28mm (aa)** into the wall holes using a soft-head hammer.
3. Secure the **Wall Channel (A)** to the wall using **ST4x30mm countersunk self-tapping screws (bb)**, ensuring it remains perfectly vertical.



3 Install Top Pivot Block (B)

NOTE

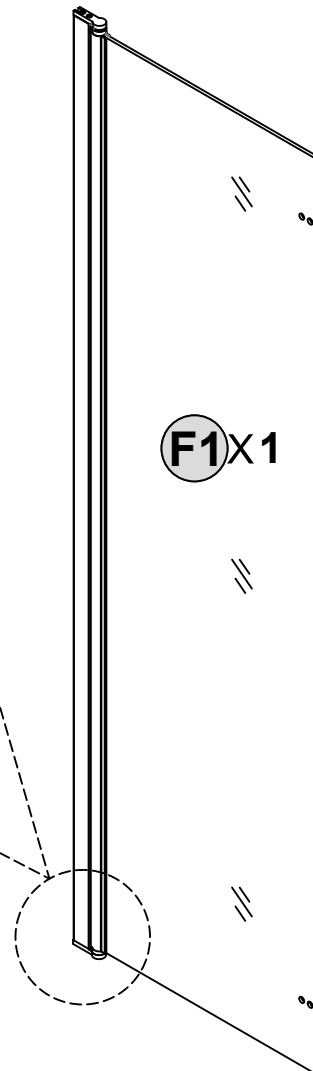
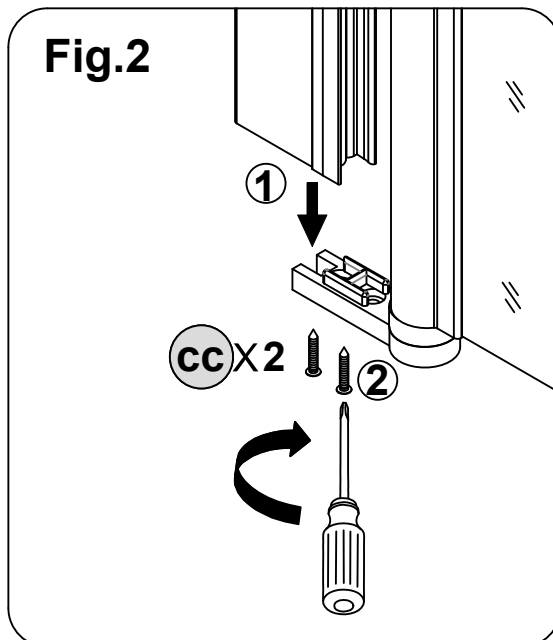
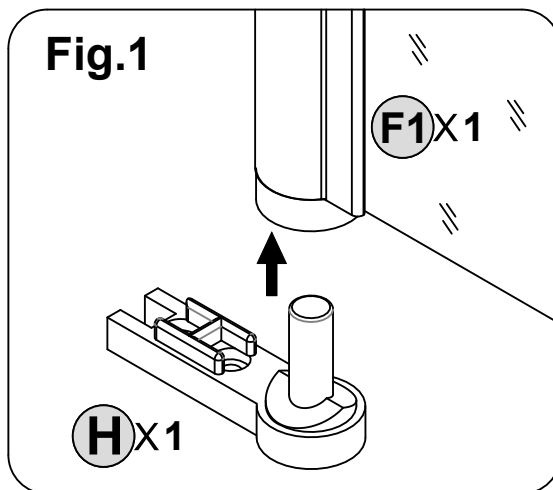
1. Clip the **Seal Strip (D)** into the channel of the **Side Profile (C)**.
2. Insert the **Top Pivot Block (B)** into the top hole of the **Pivot Door Panel (F1)**.
3. Engage the slot of the **Top Pivot Block (B)** into the **Side Profile (C)**. Secure it using **ST4x20mm countersunk self-tapping screws (cc)**.



4 Install **Adjustable Bottom Pivot Block (H)**

1. Insert the **Adjustable Bottom Pivot Block (H)** into the bottom hole of the **Pivot Door Panel (F1)**.
2. Engage the slot of the **Adjustable Bottom Pivot Block (H)** into the **Side Profile (C)**. Secure it using **ST4x20mm countersunk self-tapping screws (cc)**.

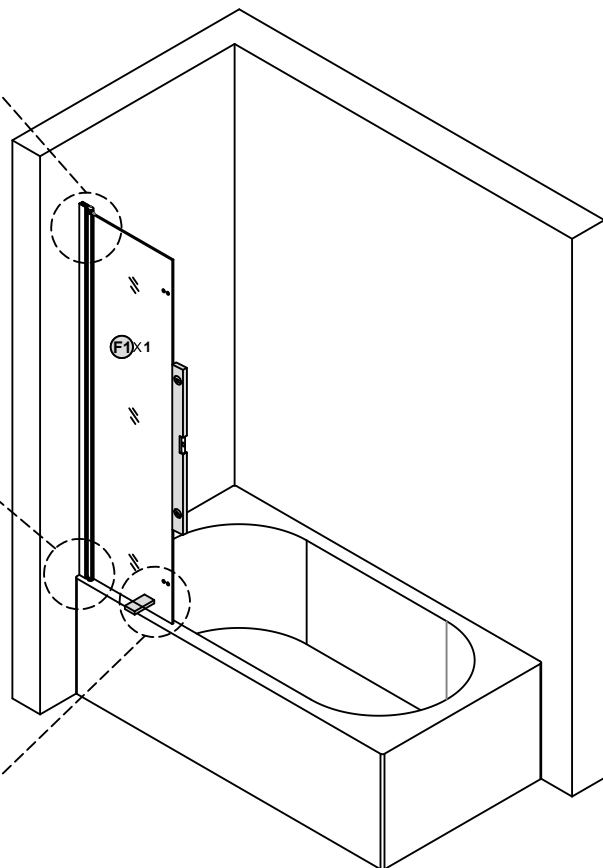
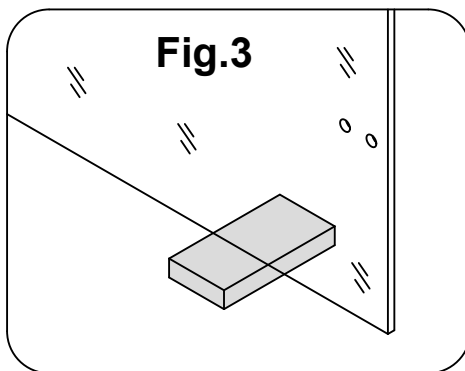
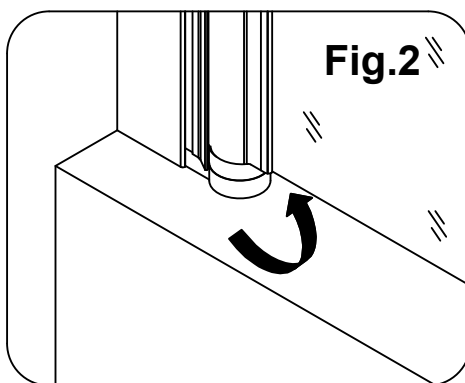
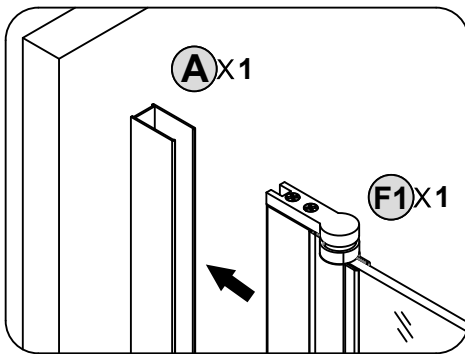
NOTE



5 Install **Pivot Door Panel (F1)**

NOTE

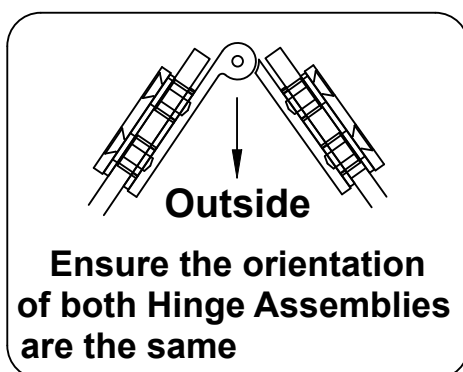
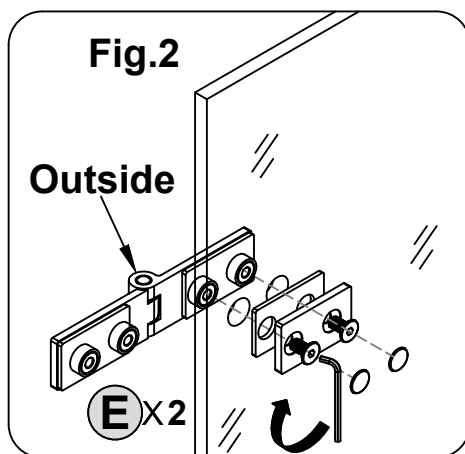
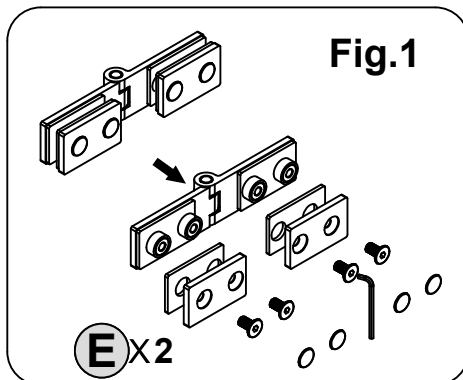
1. Engage the **Pivot Door Panel (F1)** into the **Wall Channel (A)**.
2. The **Pivot Door Panel (F1)** should be able to pivot 180 degrees.
3. Place a wooden block under the bottom edge of the **Pivot Door Panel (F1)** to provide proper clearance. **Adjust the Pivot Door Panel (F1)** until it is level and plumb in the opening.



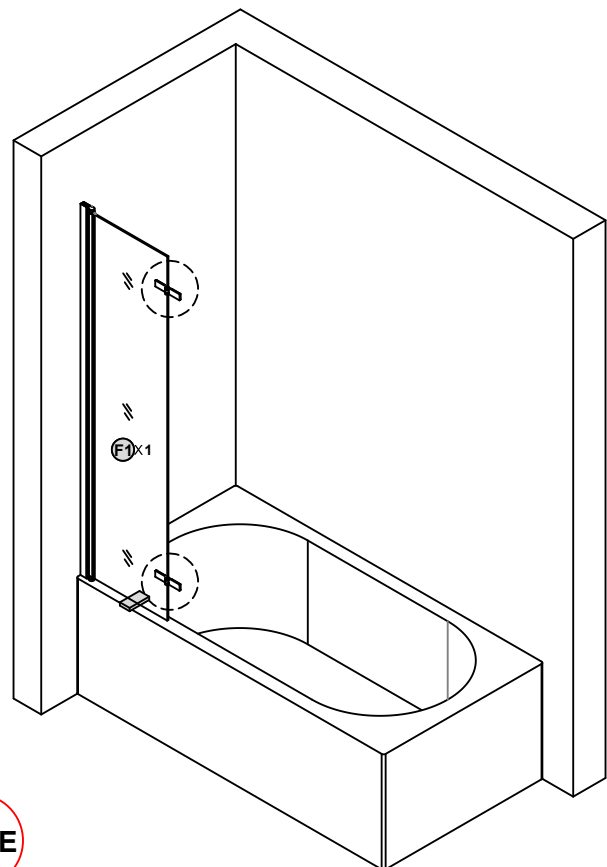
6 Install **Folding Hinge (E)**

NOTE

1. Loosen and separate the components on the **Folding Hinge (E)** using a hex key.
2. Install the **Folding Hinge (E)** onto the **Pivot Door Panel (F1)**. Tighten the countersunk machine screws with a hex key and cover with the cap covers. Throughout installation, ensure you use all provided rubber washers to protect the glass from scratches or damage.



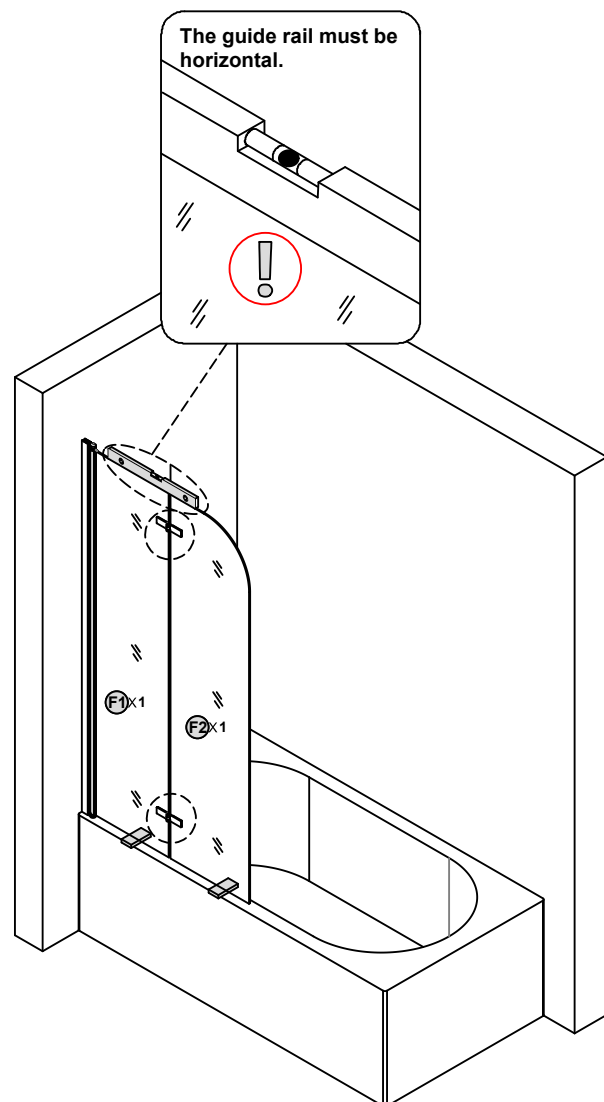
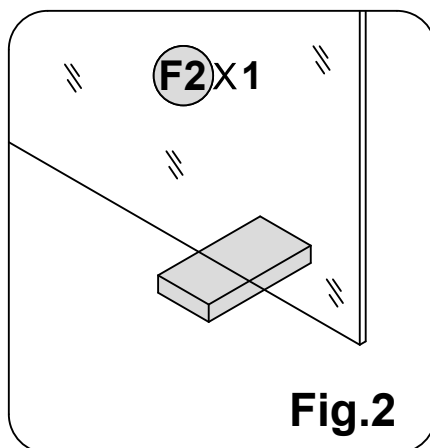
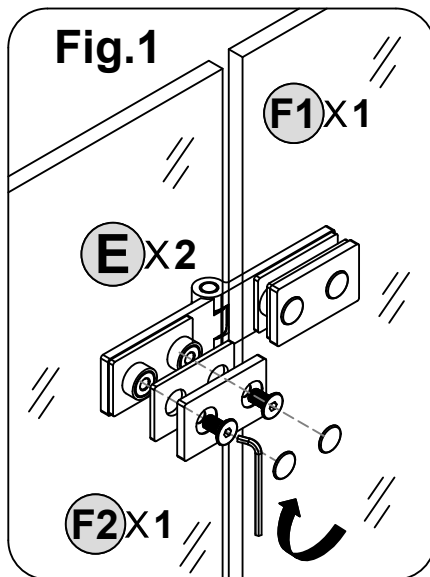
NOTE



7 Install **Hinge Glass Panel (F2)**

NOTE

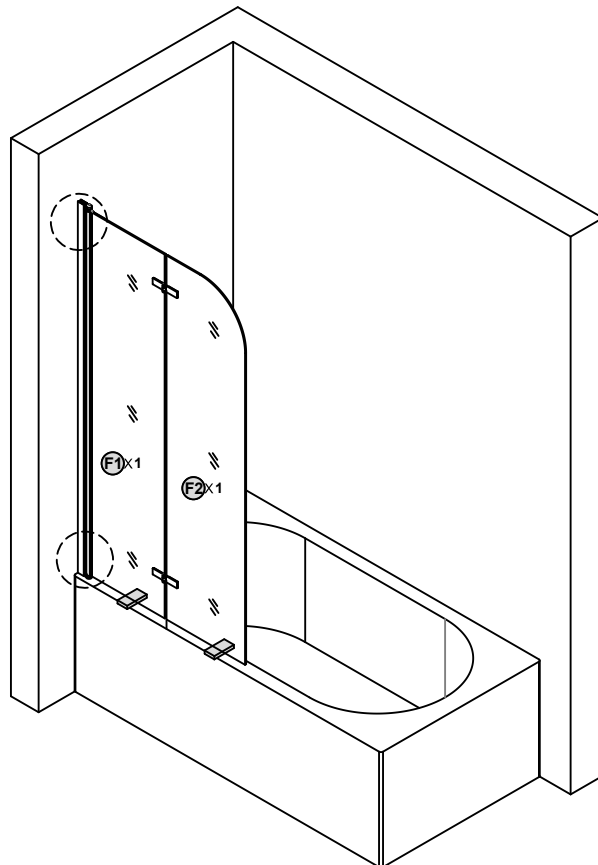
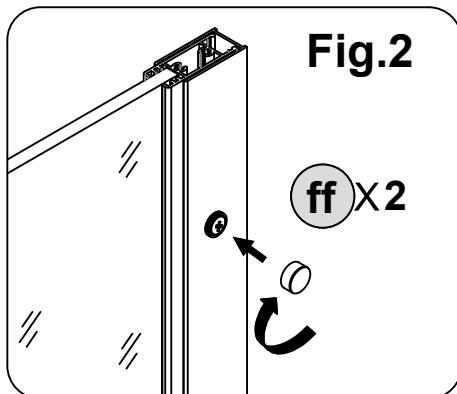
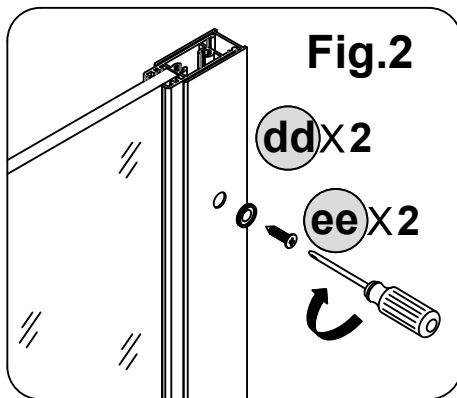
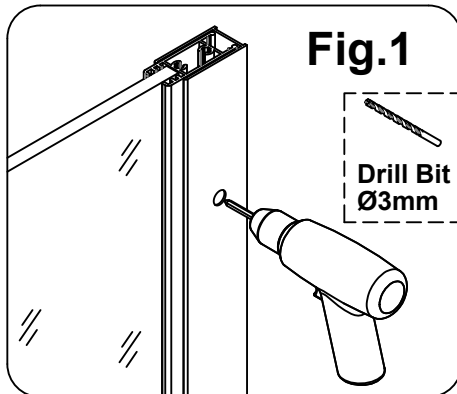
1. Lift the **Hinge Glass Panel (F2)** and align its holes with the **Folding Hinge (E)**. Tighten the countersunk machine screws with a hex key and cover with the cap covers. Throughout installation, ensure you use all provided rubber washers to protect the glass from scratches or damage.
2. Place a wooden block under the bottom edge of the **Hinge Glass Panel (F2)** to provide proper clearance. Adjust the **Hinge Glass Panel (F2)**.



8 Secure Pivot Door Panel (F1)

NOTE

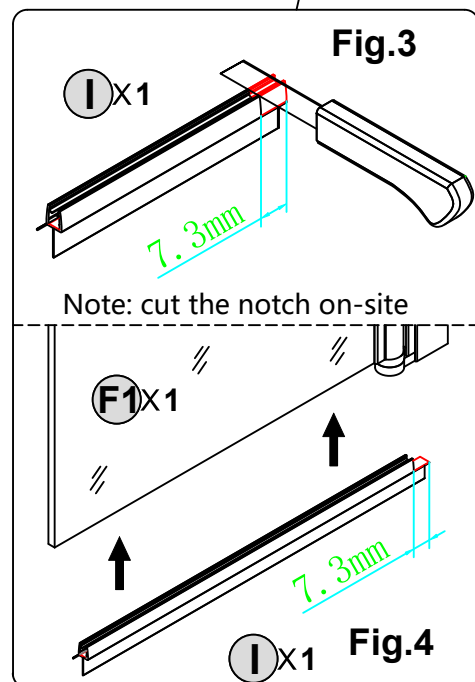
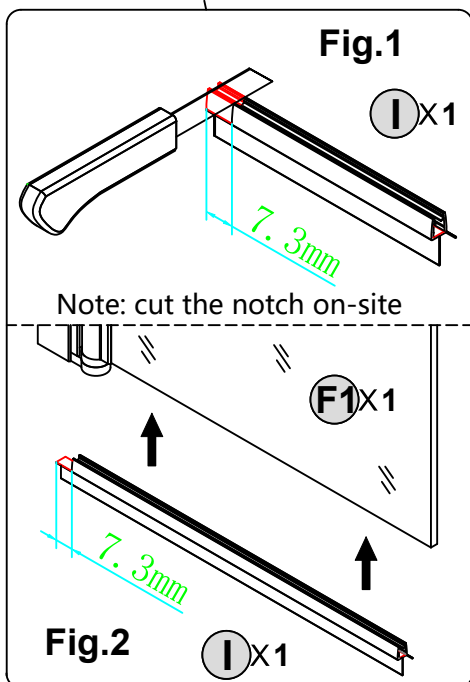
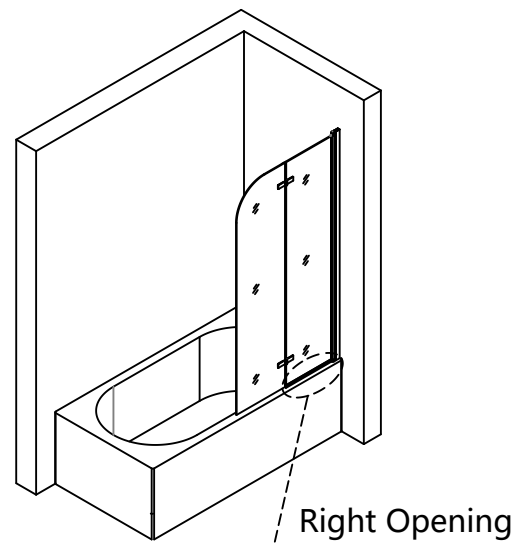
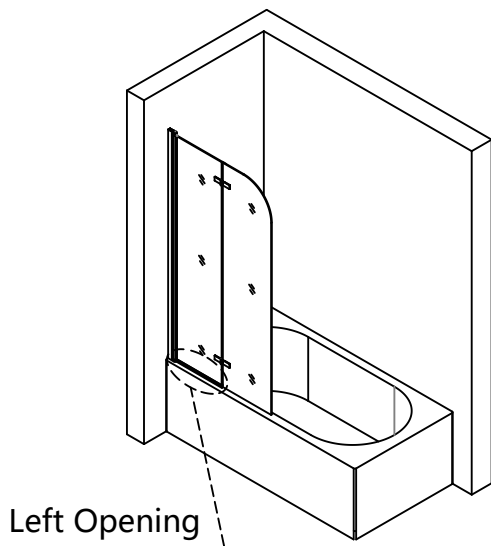
1. Drill two Ø3mm pre-marked holes on the **Wall Channel (A)** in total (likely through into the Pivot Door Panel F1).
2. Place the **threaded inserts (dd)** over the **ST4x12mm flat head self-tapping screws (ee)**. Tighten the screws into the **Wall Channel (A)** (and into the **Pivot Door Panel F1**) using a screwdriver.
3. Screw the **screw cap covers (ff)** onto the **threaded inserts (dd)**.



9 Attach **Bottom Sweep Seal (I)** on **Pivot Door Panel (F1)**

NOTE

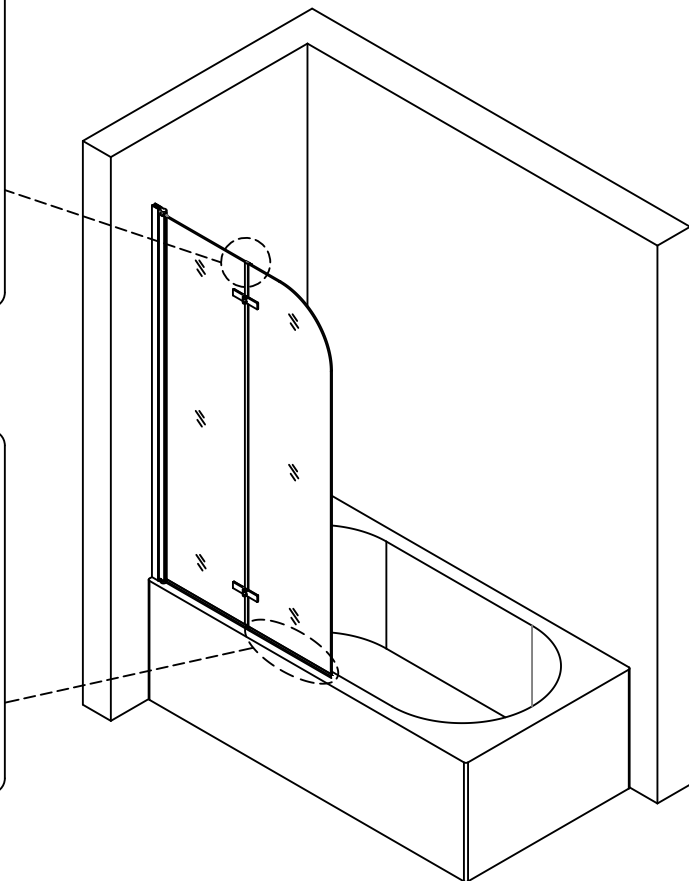
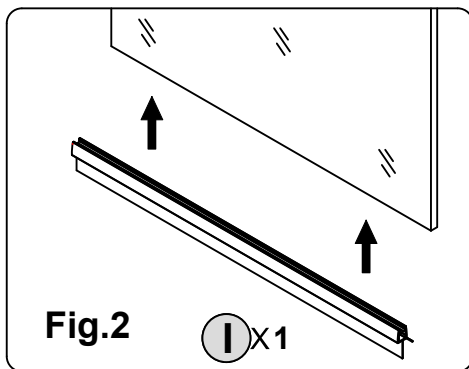
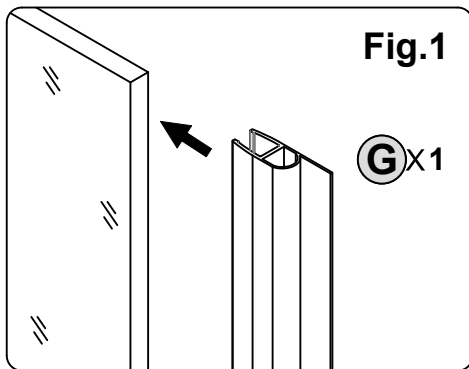
1. First, cut a 7.3mm (approx. 9/32") notch in the **Bottom Sweep Seal (I)** at the position against the pivot side.
2. Then, align the **Bottom Sweep Seal (I)** flush against the pivot edge and snap it onto the bottom of the **Pivot Door Panel (F1)**.
(Note: If the unit is installed on the right-hand side, refer to Fig.3 and Fig.4 for the notch location on the **Bottom Sweep Seal (I)**).



10 Install **Side Seal Strip (G)** and **Bottom Sweep Seal (I)**

NOTE

1. Attach the **Side Seal Strip (G)** onto the **Hinge Glass Panel (F2)**.
2. Attach the **Bottom Sweep Seal (I)** onto the **Hinge Glass Panel (F2)**.



11 SEALING

NOTE The surfaces need to be clean and free of debris before applying silicone.

NOTE Make sure the shower door is tightly closed and opens smoothly. Apply high-quality asbestos sealant along the bottom of the fixed glass and the bottom of the lower water barrier.

! Allow 24 hours for the silicone to cure before using the shower.



! Apply Silicone Sealant, (not supplied).

Apply silicone to the wall position on the outside of the wall material.

