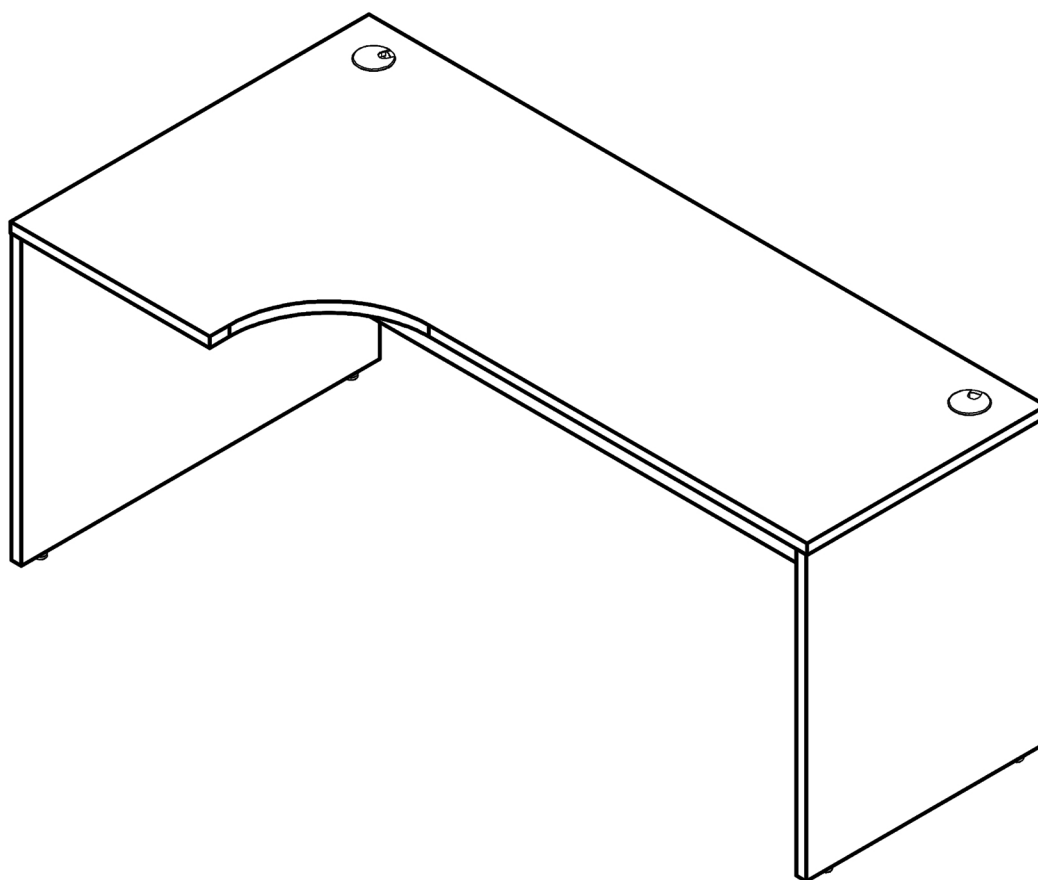


ASSEMBLY INSTRUCTION

GINO-CRK-1790-L



Dear Customer,

Thank you for choosing us. Before you begin assembly, check that you have all the parts and hardware shown on this page.

If there is any item missing, please circle the item, indicating quantity required and send picture to us. We will arrange replacement at first time.

If feel question in assemble, Please feel free to ask us.

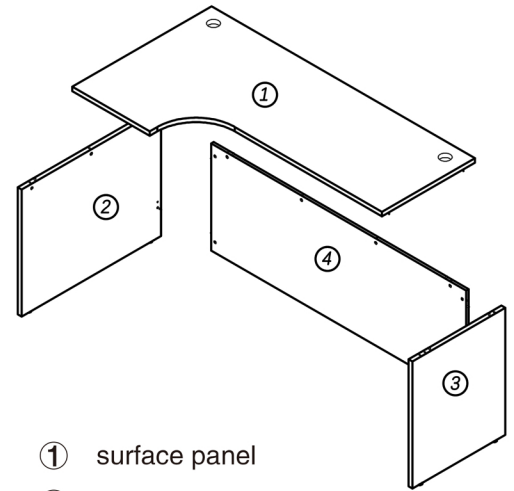
Customer satisfaction is our prime.

Your order means a lot to us!

Thank you

TOOLS NEEDED

Crosshead screwdriver
Flat-head screwdriver



- ① surface panel
- ② left side panel
- ③ right side panel
- ④ modesty panel

HARDWARE

A: Cam Lock
Φ 15*11mm



14 pcs

B: Cam Bolt
Φ 6*35mm



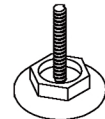
14 pcs

C: Wooden Dowel
Φ 8*30mm



11 pcs

D: Glider
5\16x25



4 pcs

E: Cam lid (low)
Φ 16.8*3mm



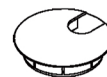
9 pcs

F: Cam lid (deep)
Φ 19*2.8mm



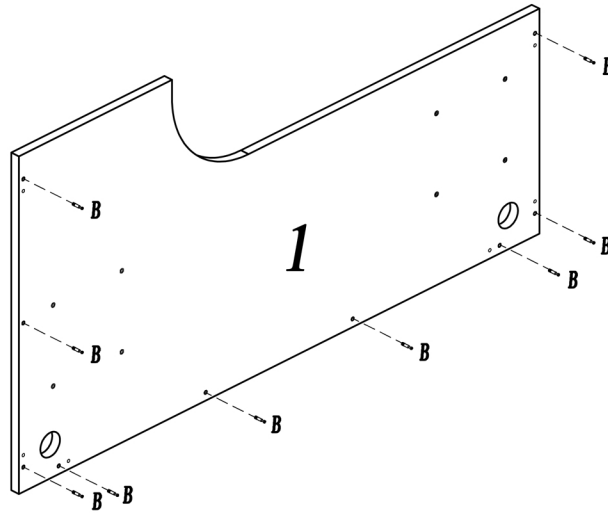
6 pcs

G: Grommet
Φ 64mm



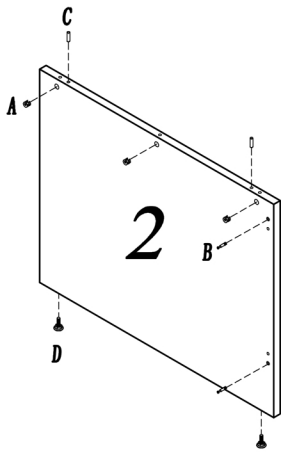
2 pcs





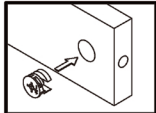
STEP 1a



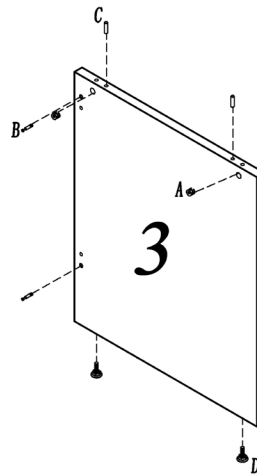
B  9 pcs





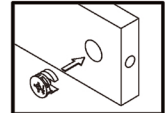
STEP 1b



- A**  3 pcs
 - B**  2 pcs
 - C**  2 pcs
 - D**  2 pcs
- 

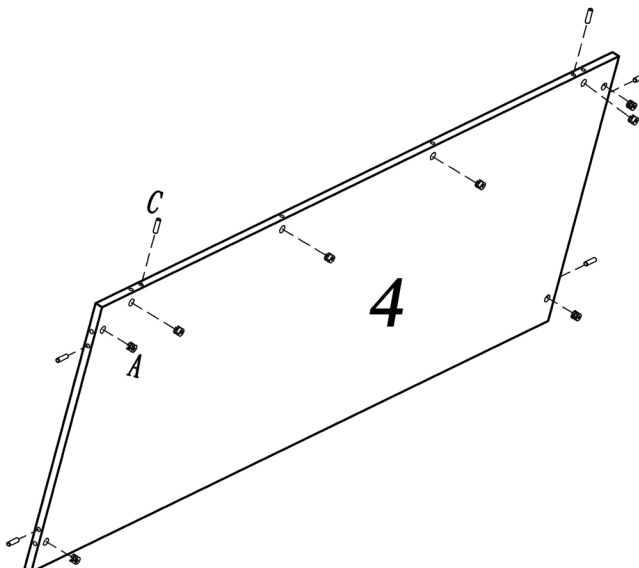
Direction of arrow to the side hole.





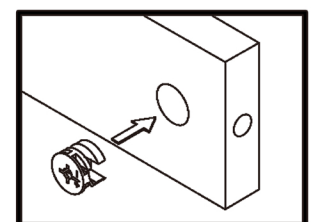
- A**  2 pcs
 - B**  2 pcs
 - C**  2 pcs
 - D**  2 pcs
- 

Direction of arrow to the side hole.

STEP 1c

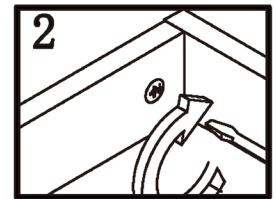
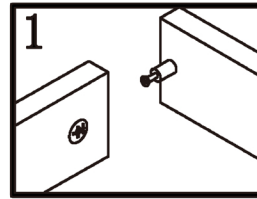
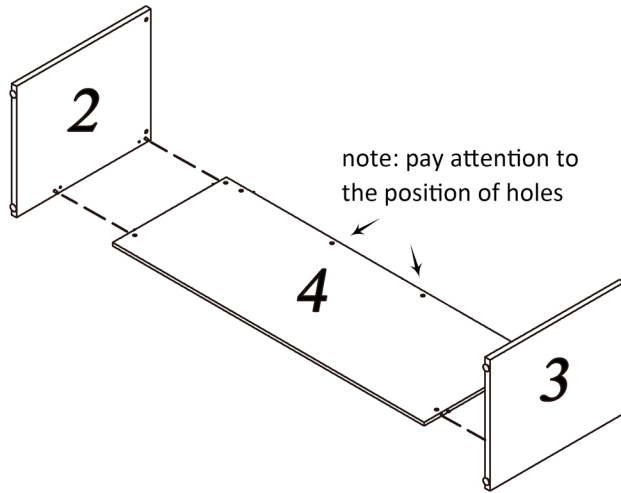


- A**  8 pcs
- C**  6 pcs



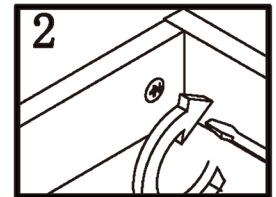
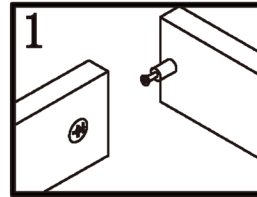
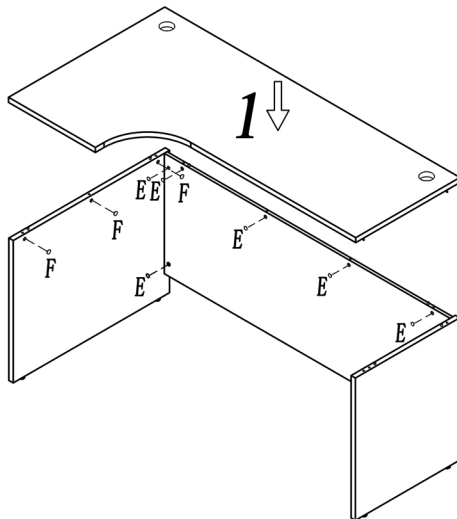
Direction of arrow to the side hole.

STEP 2



- Put the modesty panel (4) on the floor.
- Align the Cam bolts (on 2&3) with corresponding holes (in 4).
- Fasten the Cam Locks clockwise.

STEP 3

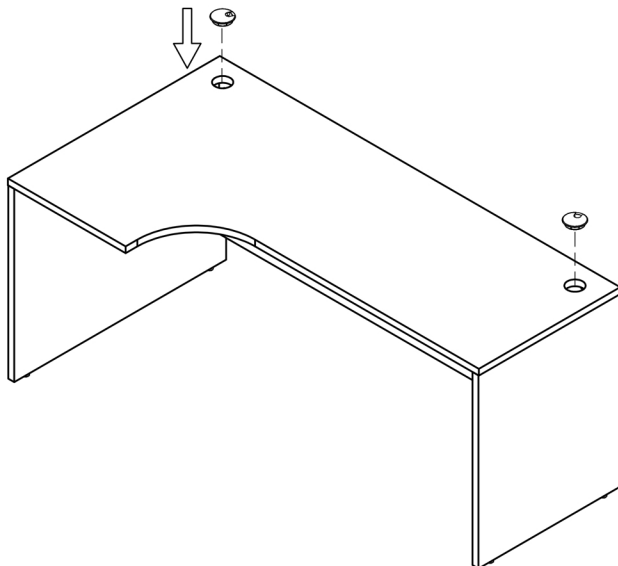


- Align the Cam Bolts on the surface panel with holes in the legs.
- Fasten the Cam Locks clockwise.
- Install the Cam lids.

E  8 pcs

F  5 pcs

STEP 4



G  2 pcs

- Install 2 grommets.

Thank you for your recent order.
 We strive to provide customers with great services and satisfaction.
 If any questions, please contact us.
 Our customer support team is ready to help!