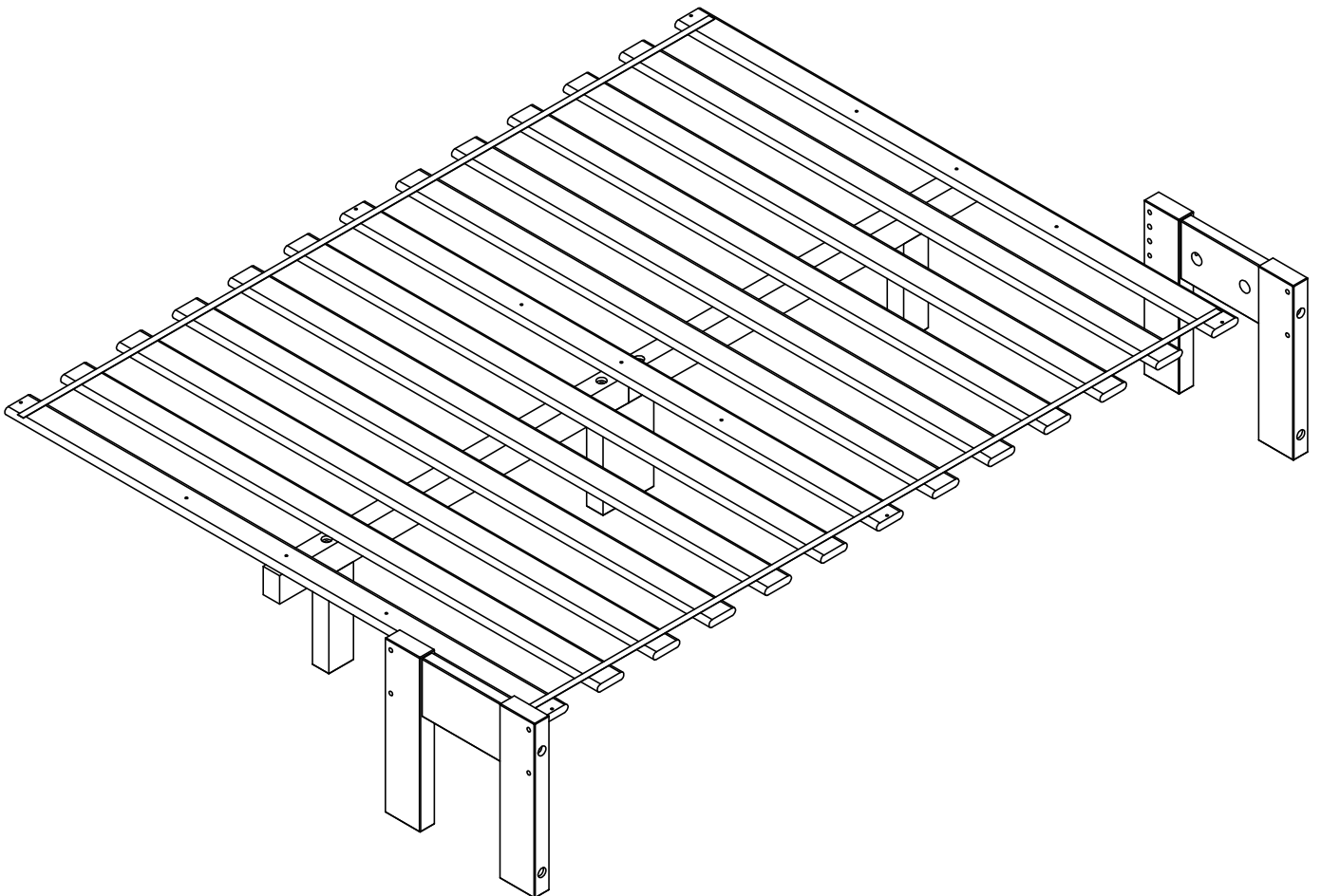


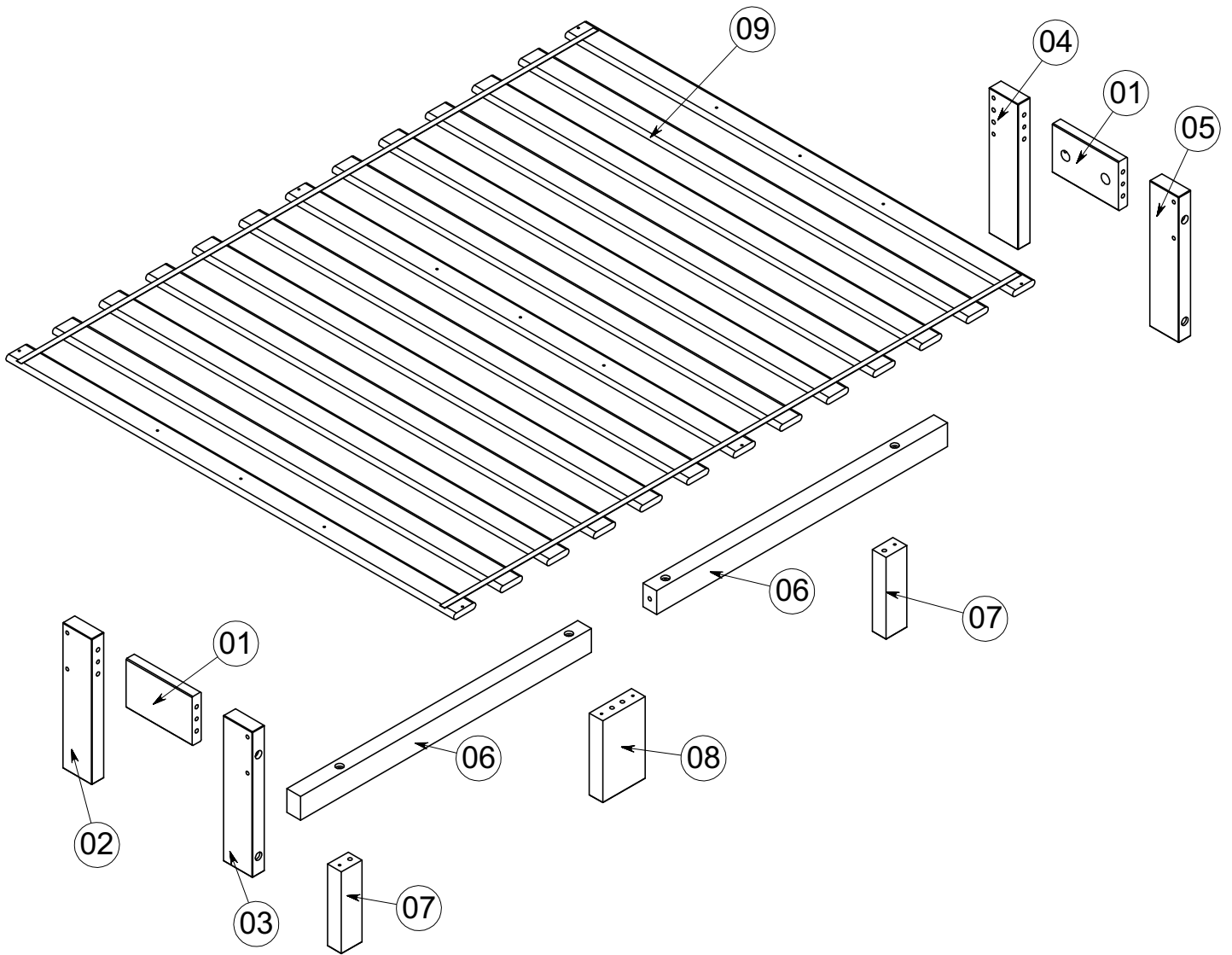
Thank you for purchasing from mybednow.com We hope you get years of enjoyment from your new bed. The unique brushing process highlights the woods natural grain. All our wood is plantation grown. No two pieces of wood are the same, enjoy the natural beauty of wood, every piece of wood has unique grain and color and knots, these differences in texture and color create the look only solid wood provides.

The success or failure of a product sold on the internet is a direct reflection of positive or negative reviews. We would be grateful if you could post a positive review and help this products success, thank you for your help.

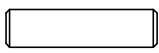




FULL CONVERSION KIT

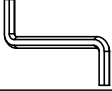



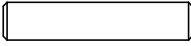
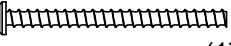


COMPONENTS



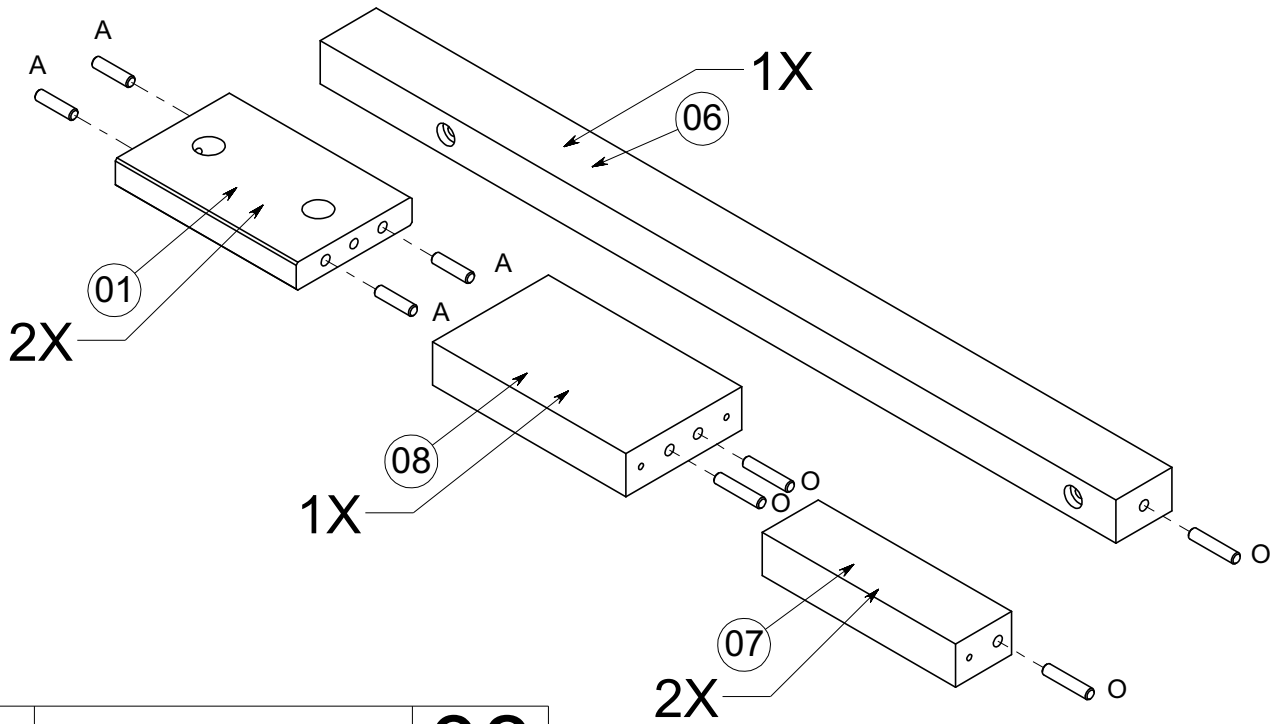
HARDWARE

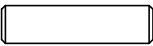
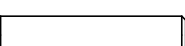
A	 10X40	08
B	 (17) 1/4X130	04
D	 (17) 1/4X80	From Bunk
F	 CC 4X35	03
G		04

H		02
L	 3/16X30	08
M	 (17) 3/16X12	16
N		02
O	 10X50	05
P	 (17) 7X90	04

STEP 1

INSERT DOWEL (A,O) TO COMPONENTS SHOWN



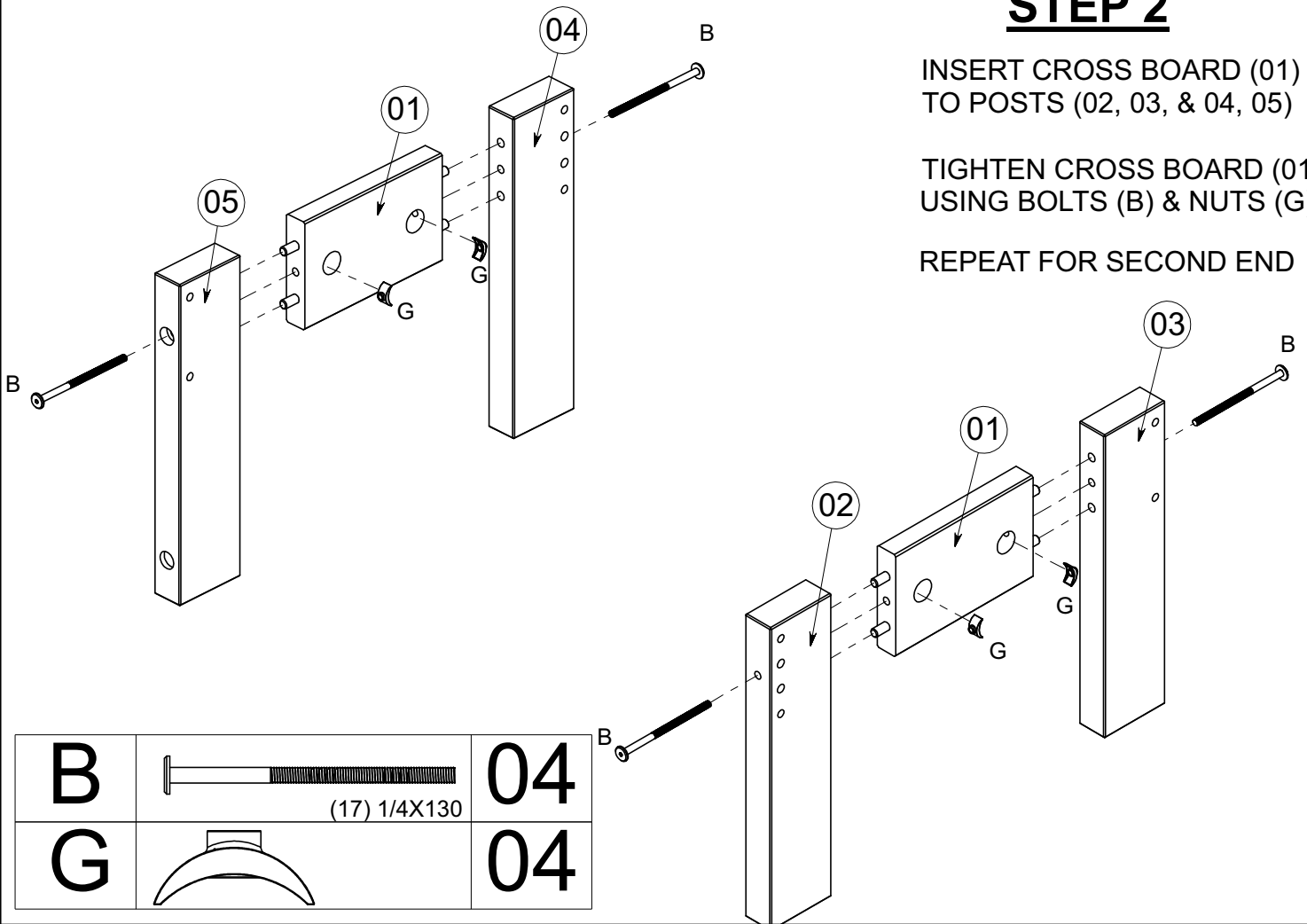
A		10X50	08
O		10X50	05



STEP 2

INSERT CROSS BOARD (01) TO POSTS (02, 03, & 04, 05)

TIGHTEN CROSS BOARD (01) USING BOLTS (B) & NUTS (G)

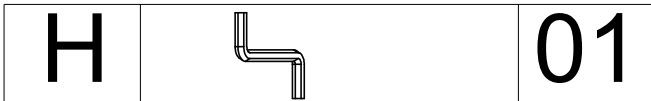
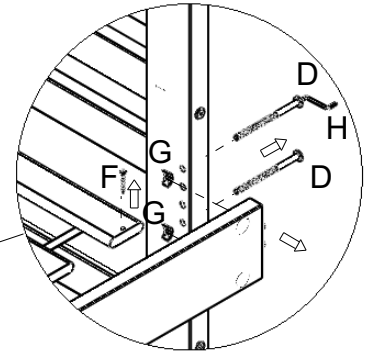
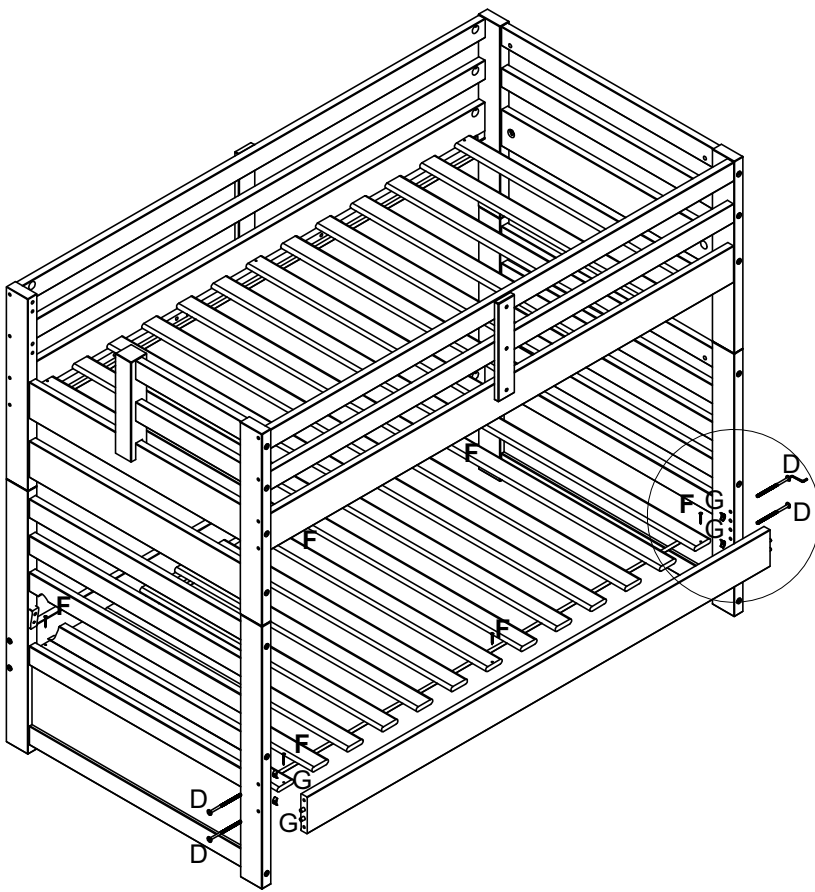
REPEAT FOR SECOND END



B		(17) 1/4X130	04
G			04

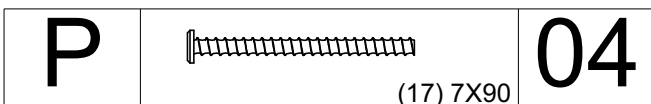
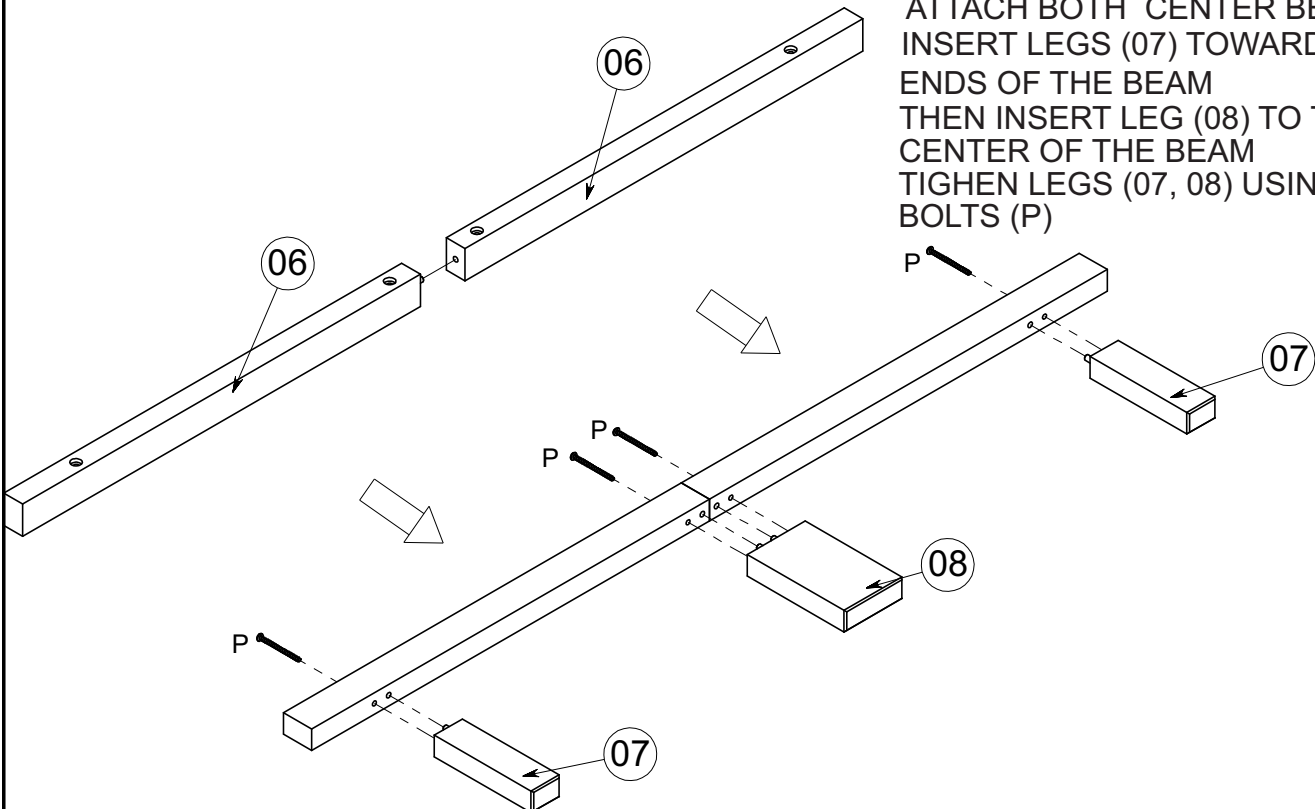
STEP 3

ONLY IF BUNK IS ASSEMBLED
REMOVE BOTTOM, FRONT
SIDERAIL.



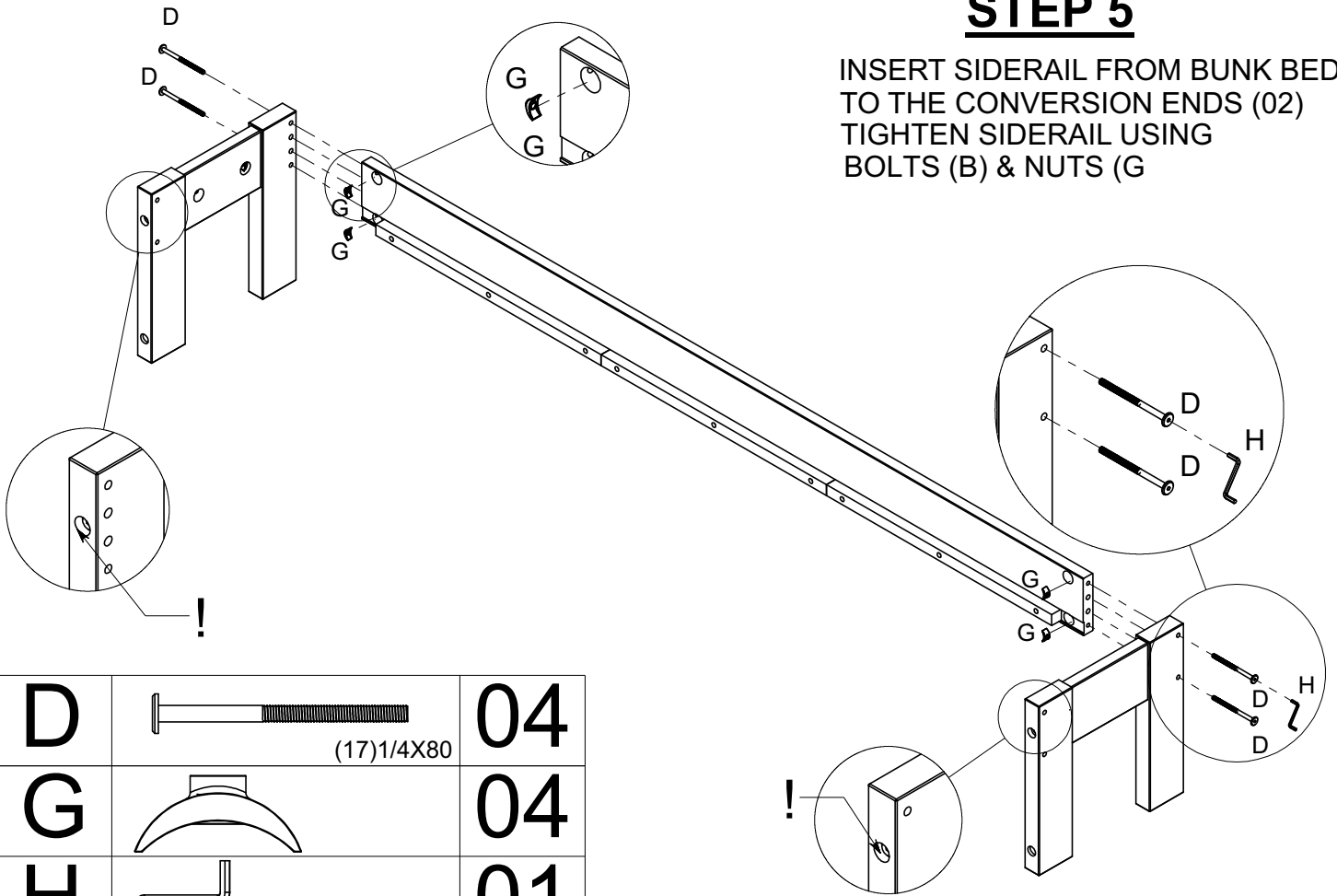
STEP 4

ATTACH BOTH CENTER BEAMS (06)
INSERT LEGS (07) TOWARDS THE
ENDS OF THE BEAM
THEN INSERT LEG (08) TO THE
CENTER OF THE BEAM
TIGHEN LEGS (07, 08) USING
BOLTS (P)



STEP 5

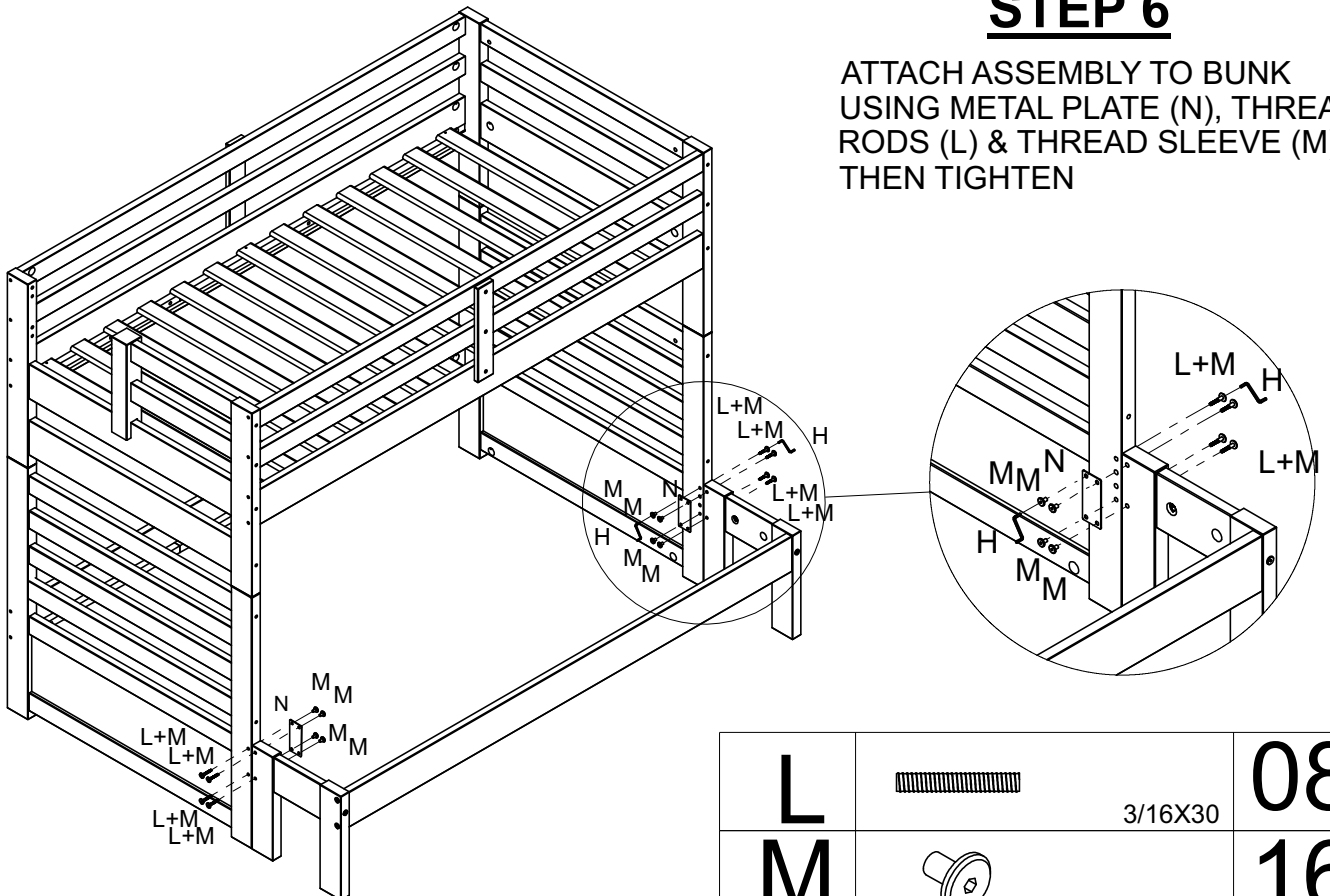
INSERT SIDERAIL FROM BUNK BED TO THE CONVERSION ENDS (02)
TIGHTEN SIDERAIL USING
BOLTS (D) & NUTS (G)



D	(17) 1/4X80	04
G		04
H		01

STEP 6

ATTACH ASSEMBLY TO BUNK
USING METAL PLATE (N), THREAD
RODS (L) & THREAD SLEEVE (M)
THEN TIGHTEN

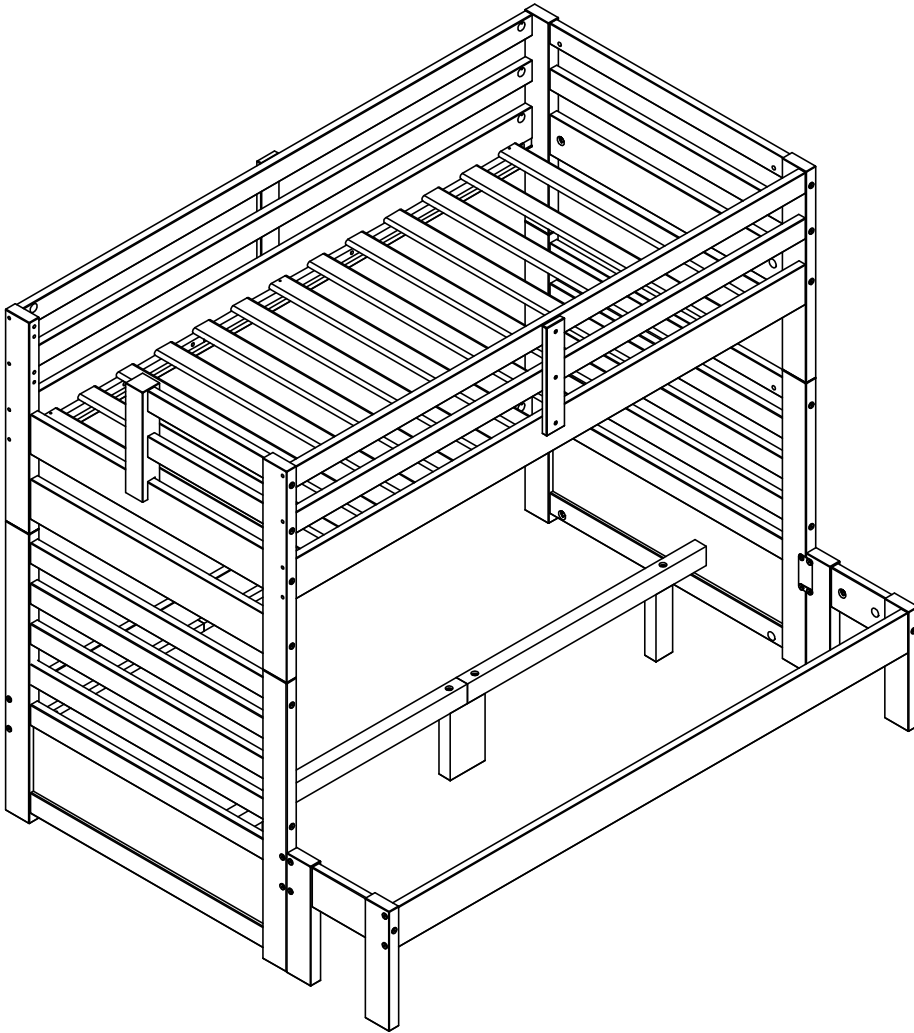


H		02
----------	--	-----------

L	3/16X30	08
M	(17) 3/16X12	16
N		02

STEP 7

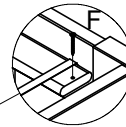
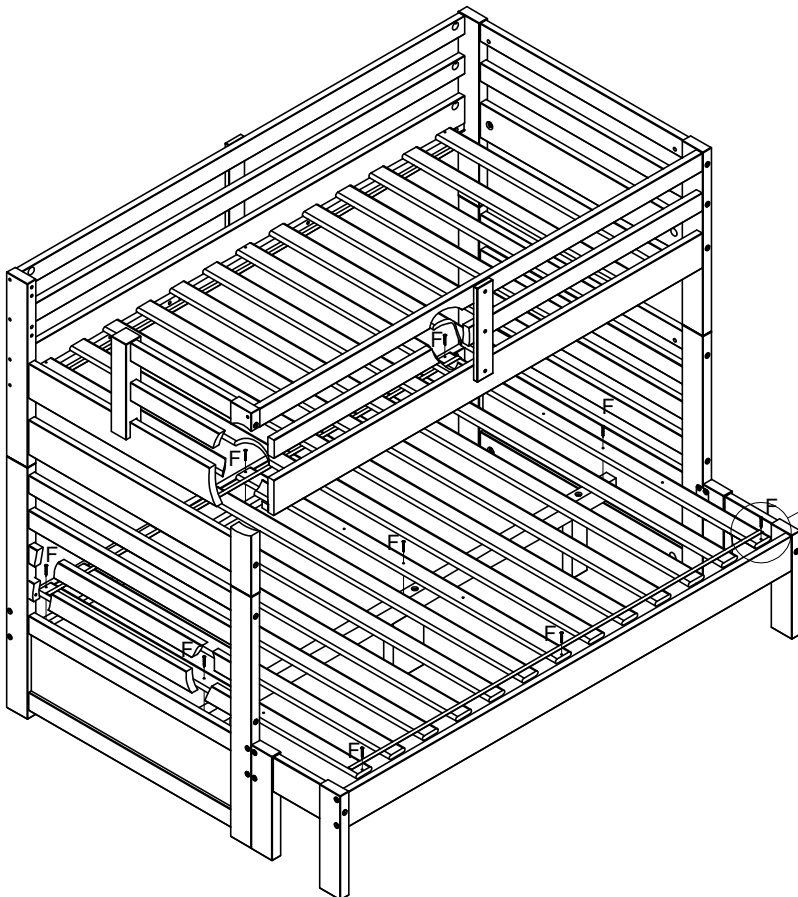
PLACE CENTER
SUPPORT
INTO MIDDLE OF THE
BOTTOM BED



STEP 8

LAY OUT SLAT KIT (09) ON THE
CLEAT OF SIDERAILS.
**BE SURE THE END SLATS ARE FLUSH
WITH THE END OF THE CLEAT.

ATTACH BOTH END SLAT BOARDS
& MIDDLE SLAT BOARD TO THE CLEAT
& CENTER SUPPORT WITH
SCREWS (F)



F



CC 4X35

09