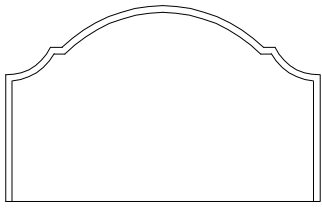

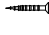









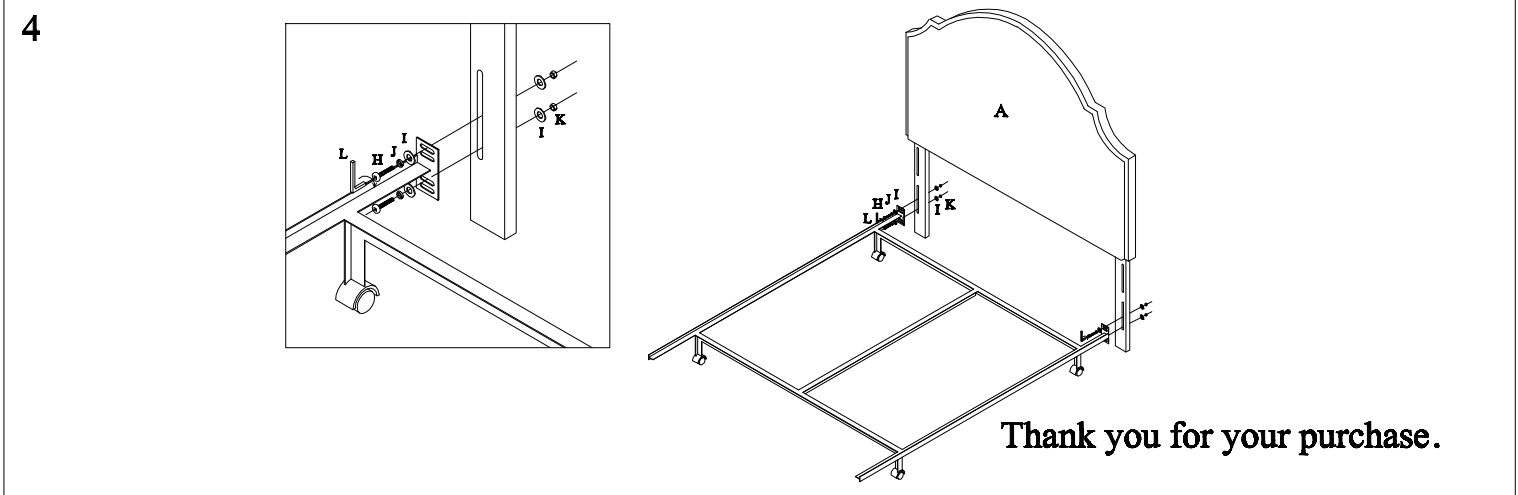
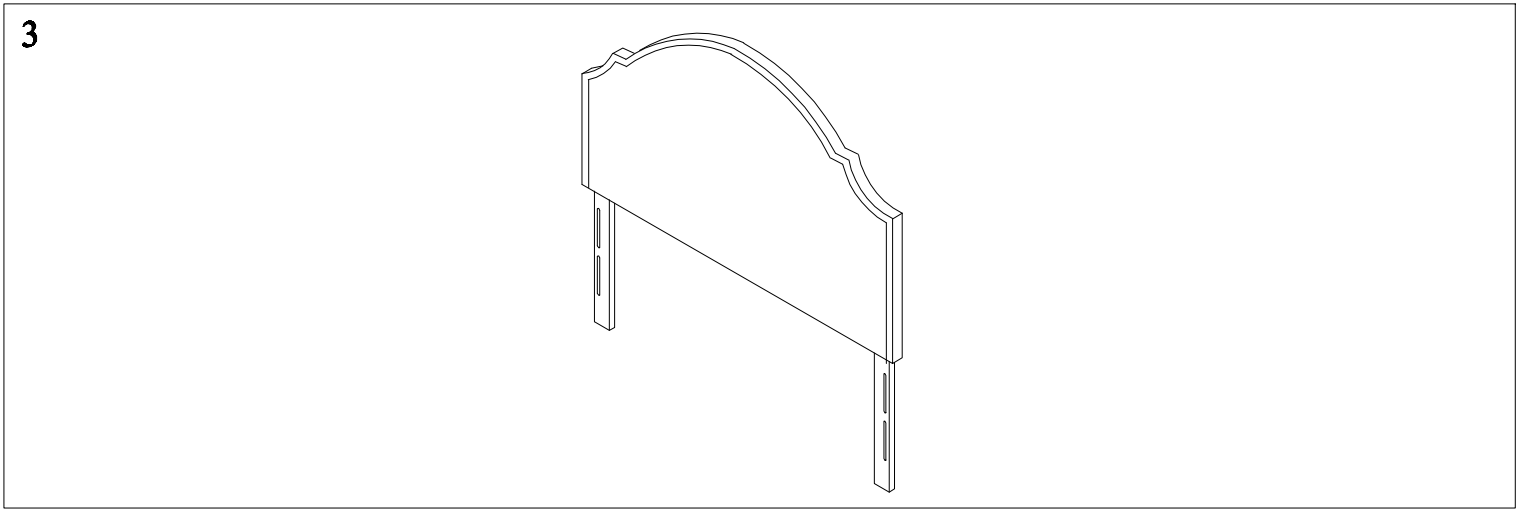
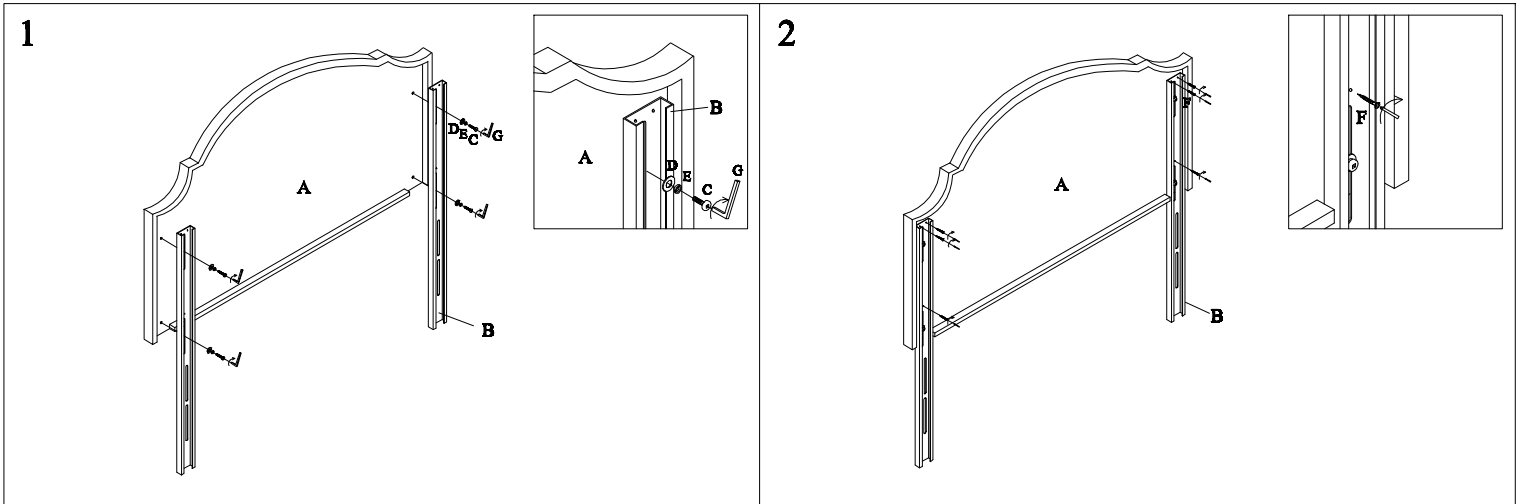


HEADBOARD COMPONENTS



A x 1 pc

-  C x 4 pcs (8x20mm)
  F x 6 pcs (4x20mm)
  I x 8 pcs (M6)
  L x 1 pc (4mm)
-  D x 4 pcs (M8)
  G x 1 pc (5mm)
  J x 4 pcs (M6)
-  B x 2 pcs
  E x 4 pcs (M8)
  H x 4 pcs (6x30mm)
  K x 4 pcs (M6)



Thank you for your purchase.