

Care and Maintenance

Dust with a soft, dry cloth. Do not use abrasive cleaner. To clean mirror, spray a small amount of glass cleaner onto a lint-free cloth and wipe mirror clean.




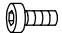

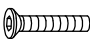


Notice

* Please make sure that you have all parts indicated before you begin assembly of this item.

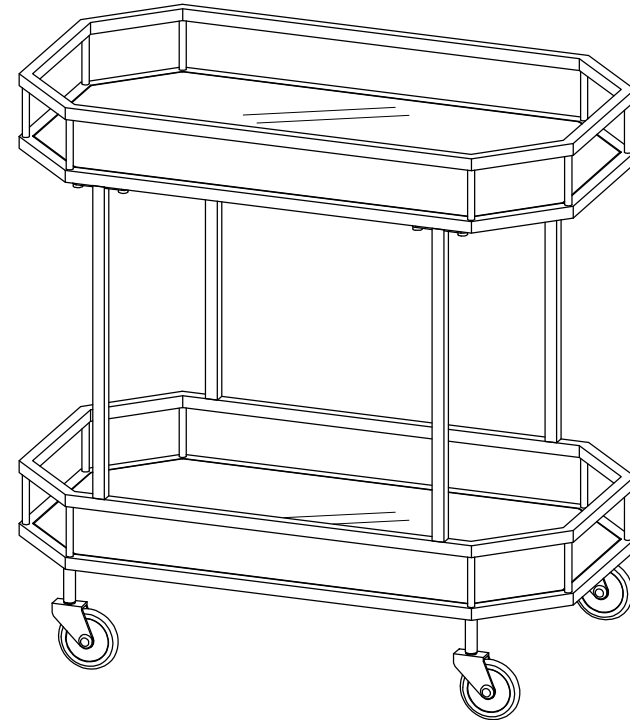
* This item should be assembled on a soft surface to prevent scratching the finish during assembly

* This item may require periodic tightening

Part List and Hardware List

PIECE	DESCRIPTION	PICTURE	QUANTITY	PIECE	DESCRIPTION	PICTURE	QUANTITY
A	Top Frame		1X	E	Allen wrench		1X
B	Bottom Frame		1X	F	Bolt		8X
C	Leg		4X	G	Bolt		4X
D	Mirror		2X	H	Wheel		4X

Product Dimensions: 29.53"L x 16.02"D x 31.69"H



WEIGHT CAPACITY: 22LBS

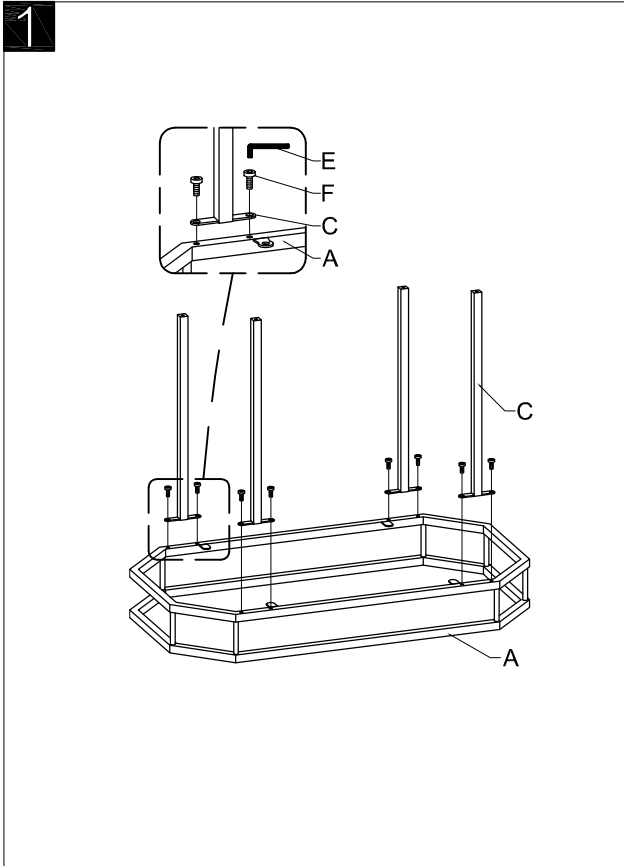
Preparation

Before beginning assembly of product, make sure all parts are present. Compare parts with package contents list and hardware contents list.

If any part is missing or damaged, do not attempt to assemble the product.

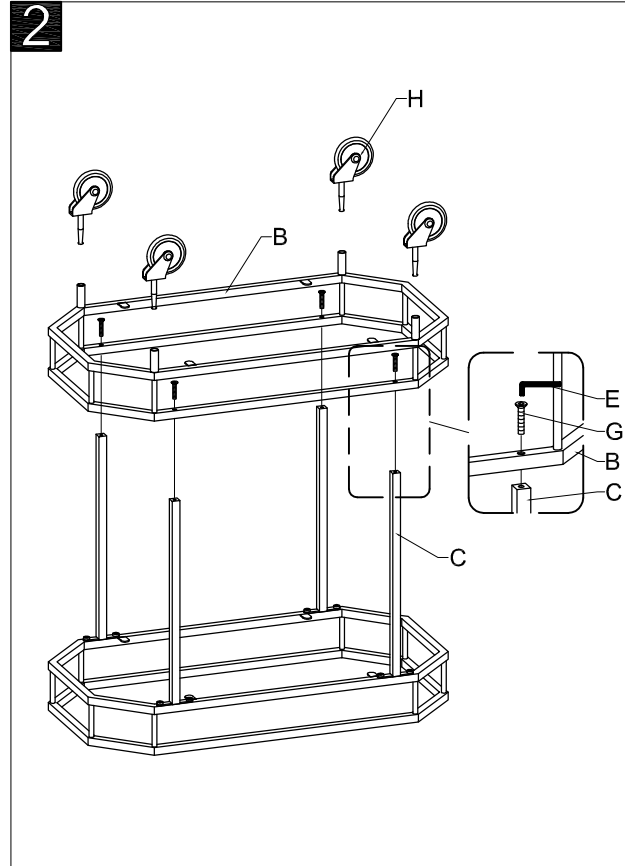
Estimated Assembly Time: 30 minutes.

Tools Required for Assembly (included): Assembly Finial



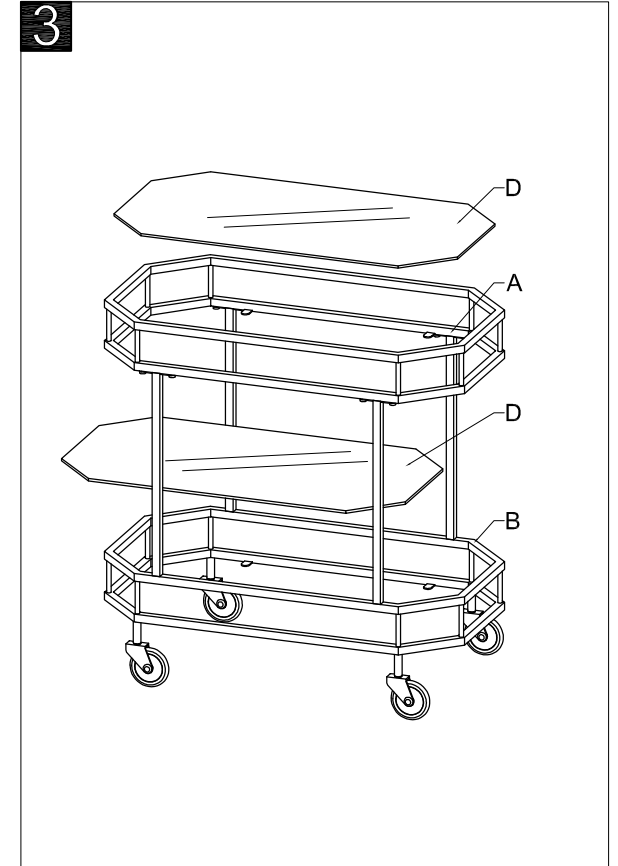
Step 1

Assemble top frame (A) to leg (C) with bolt (F) by use of Allen wrench (E) as shown in drawing.



Step 2

Assemble bottom frame (B) to leg (C) with bolt (G) by use of Allen wrench (E) and tighten up. Insert wheel (H) into the holes on bottom frame (B) as shown in drawing.



Step 3

Place mirror (D) onto the top frame (A) and bottom frame (B).