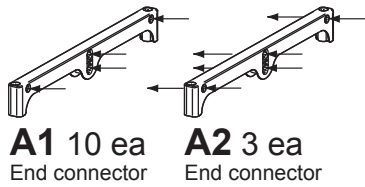
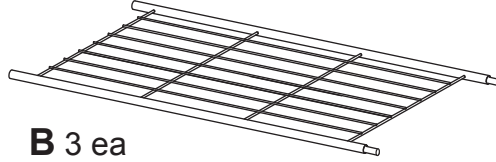


# Double Rod Standing Closet

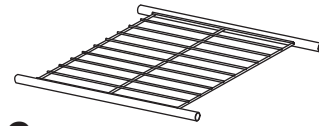


**A1** 10 ea  
End connector

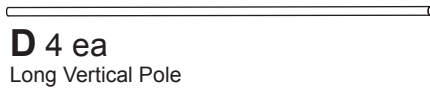
**A2** 3 ea  
End connector



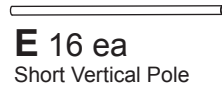
**B** 3 ea  
Long Shelf



**C** 5 ea  
Short Shelf



**D** 4 ea  
Long Vertical Pole



**E** 16 ea  
Short Vertical Pole



**F** 2 ea  
Hanging rod



**G** 1 ea  
Closet cover

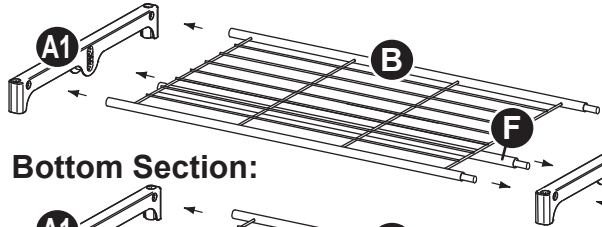
**Assembly Time:**  
Less than 30 minutes.

This product's intended use is for hanging garments and storage.

**Tools Needed:** No tools required.

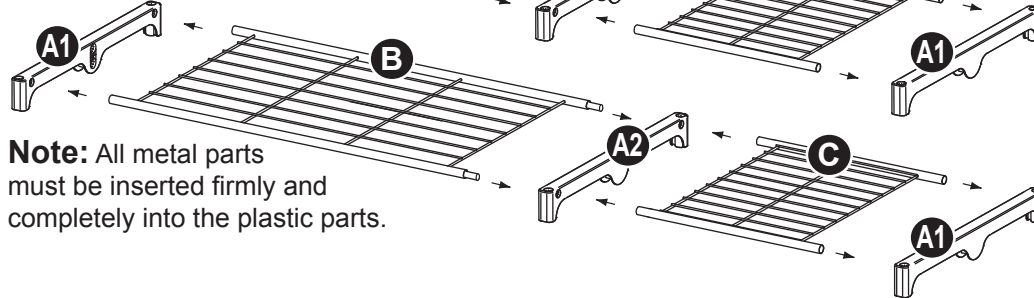
**STEP 1.** Start by assembling the top and bottom sections. Insert parts (B) and (C) into parts (A1) and (A2) as shown below. Insert one hanging rod (F) into top section.

## Top Section:



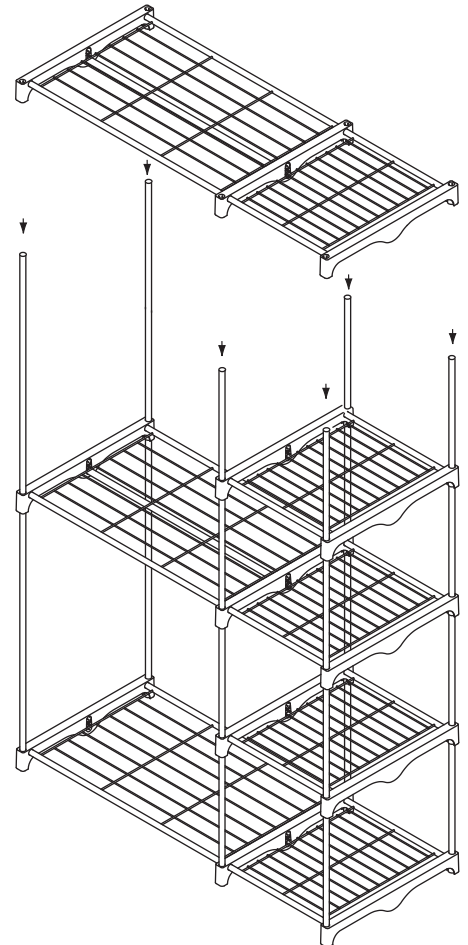
**Note:** Short shelf (C) should be inserted into the stickered side of (A2).

## Bottom Section:

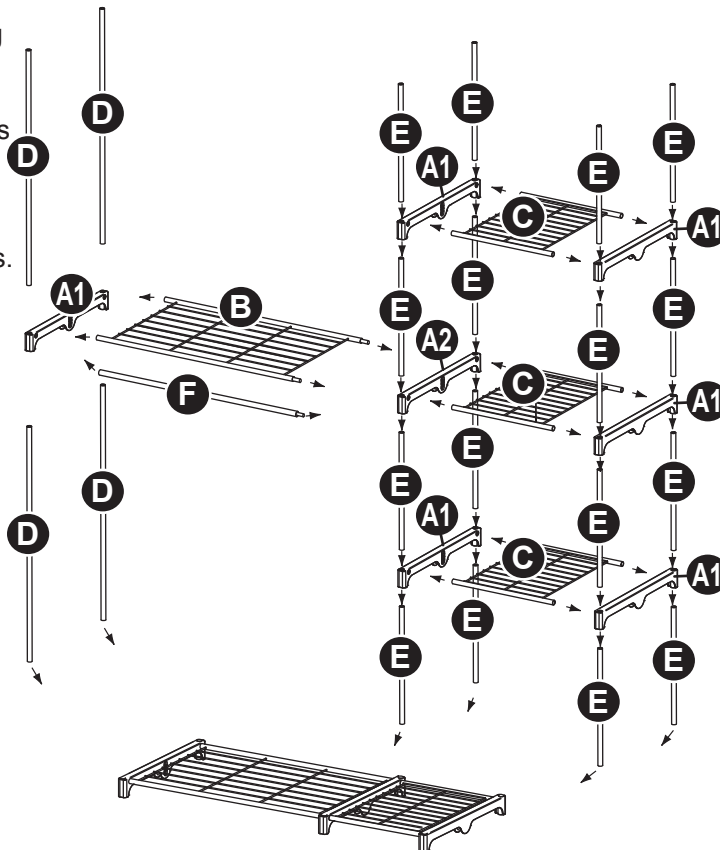


**Note:** All metal parts must be inserted firmly and completely into the plastic parts.

**STEP 3.** Place the assembled top section onto the top of the vertical poles.

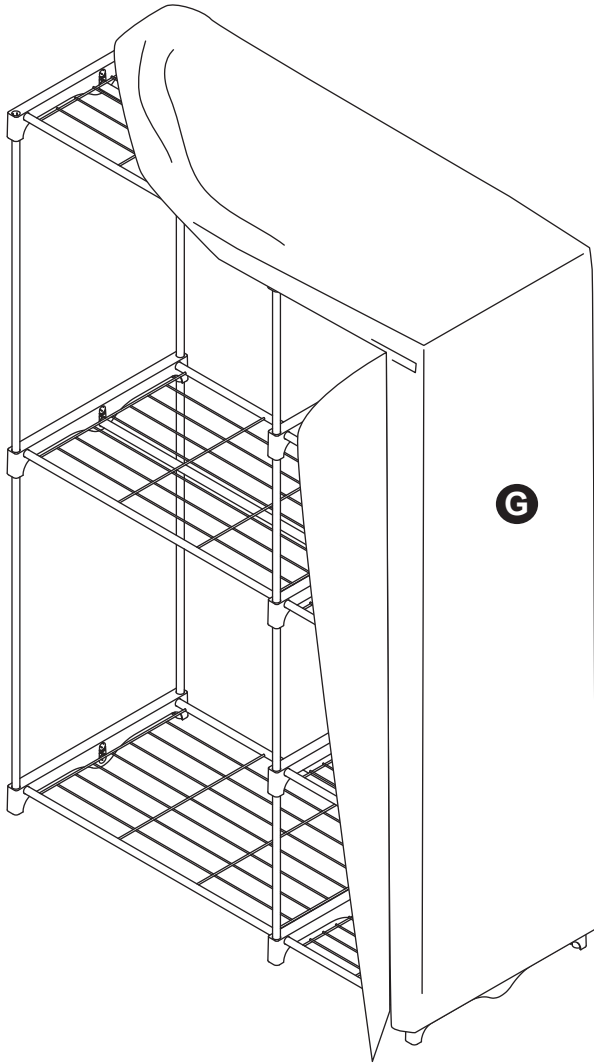


**STEP 2.** Building up from the assembled bottom section insert poles (D) and (E) and end connectors (A1) and (A2) as the diagram shows. Place other hanging rod (F) between middle end connectors (A1) and (A2).

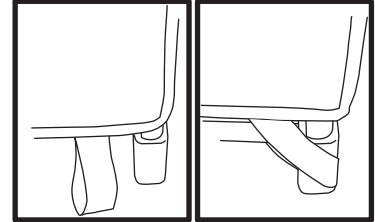


# Double Rod Standing Closet (continued)

**STEP 4.** Unfold the closet cover (G). Unzip the front opening. Place cover over the assembled frame and work the side and back panels down until the cover is positioned onto the frame.



**STEP 5.** To secure the cover at the bottom, hook bungee loops around feet of the closet in front.



**Note:** If you want to keep the front flaps open, use the two toggles on the back seams of each side as illustrated below.

