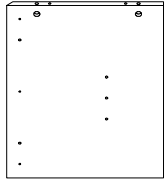
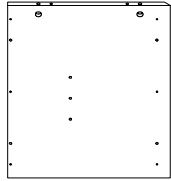
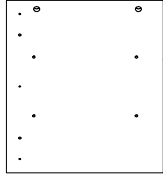
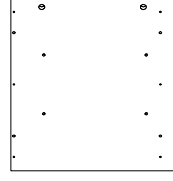






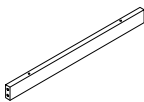
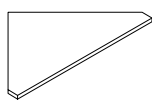
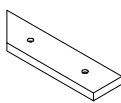
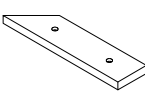
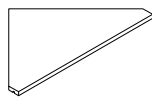
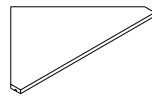


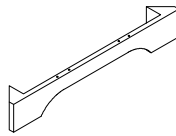
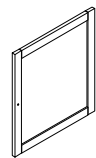
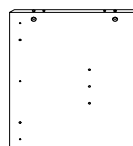
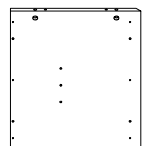

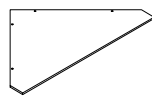
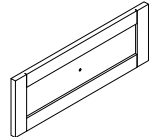

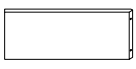
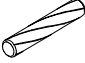
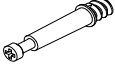

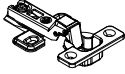
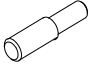
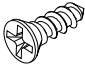
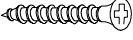

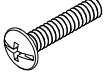

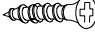

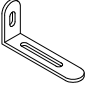

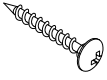


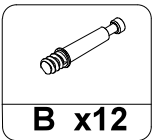
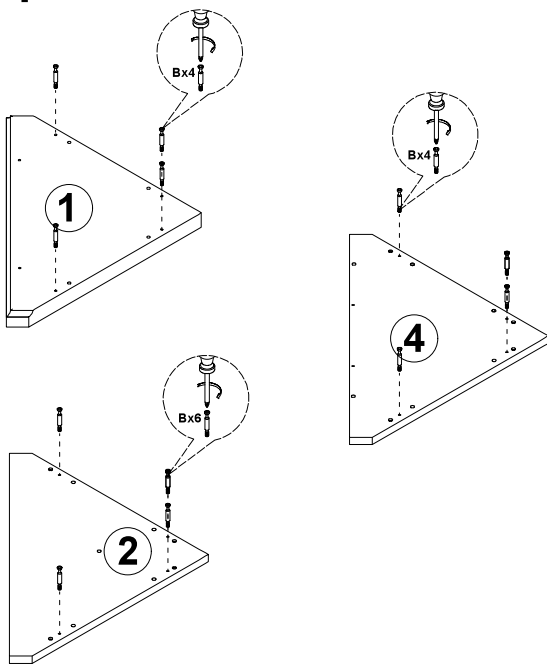
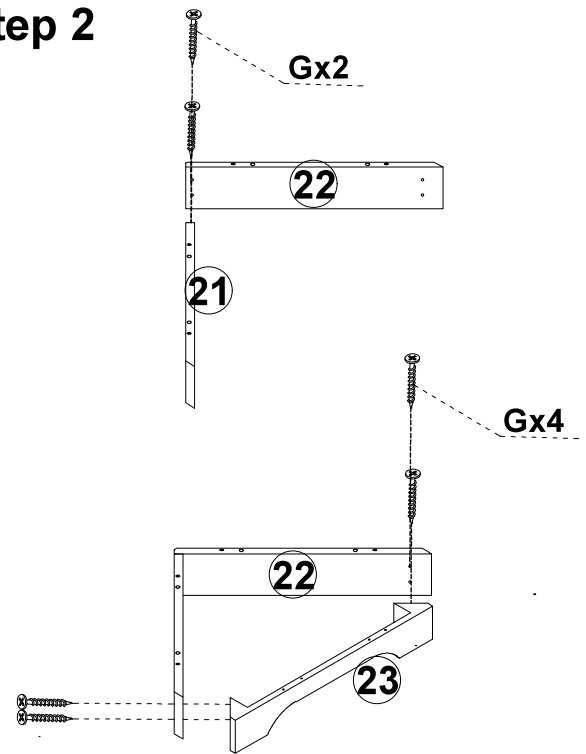

① x 1	② x 1	③ x 1	④ x 1
			
⑤ x 1	⑥ x 1	⑦ x 1	⑧ x 1
			
⑨ x 1	⑩ x 1	⑪ x 1	⑫ x 1
			
⑬ x 1	⑭ x 1	⑮ x 1	⑯ x 2
			
⑰ x 1	⑱ x 1	⑲ x 1	⑳ x 1
			
㉑ x 1	㉒ x 1	㉓ x 1	㉔ x 1
			
㉕ x 1	㉖ x 1	㉗ x 6	㉘ x 3
			
㉙ x 3	㉚ x 3	㉛ x 3	

					
Φ6x30mm A x 60+3	B x 28+2	C x 28+2	D x2	E x8+1	Φ4x15mm F x8+1
					
Φ4x35mm G x64+3	Hx3	Φ4x16mm I x4	J x4	Φ4x25mm K x16+1	Φ4x12mm L x1
					
M x1	N x1	Φ4x40mm O x4	P x6	Φ18 Q x4+1	

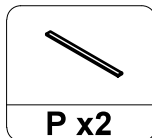
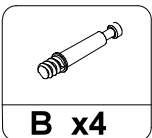
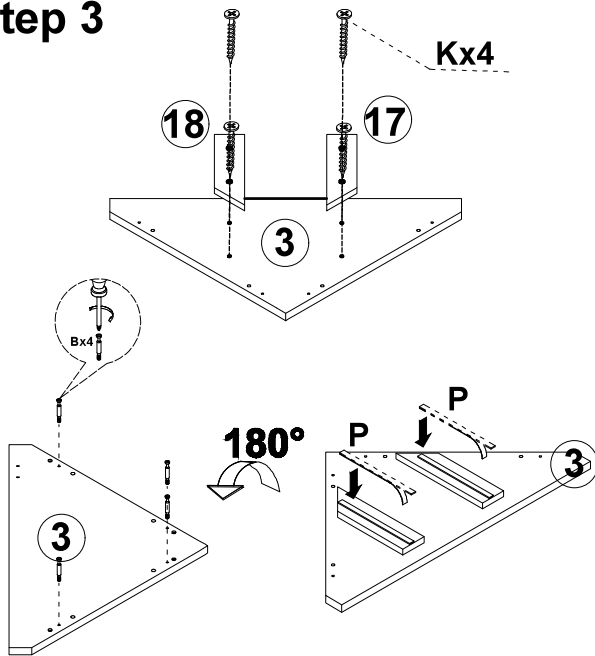
step 1



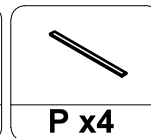
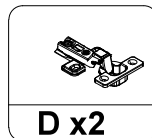
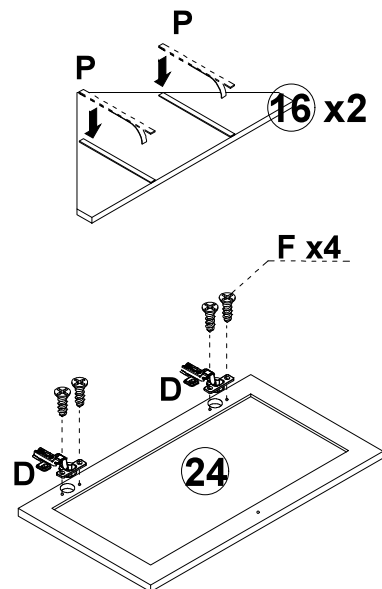
step 2



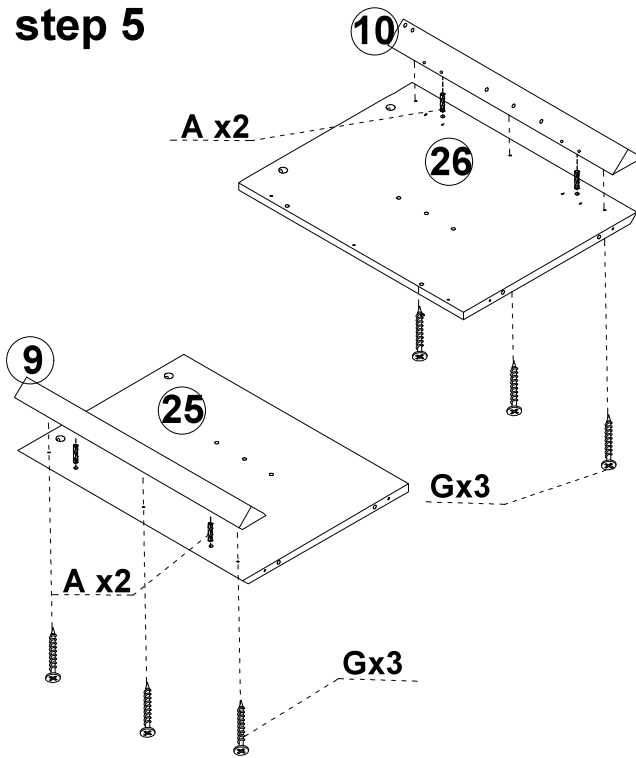
step 3



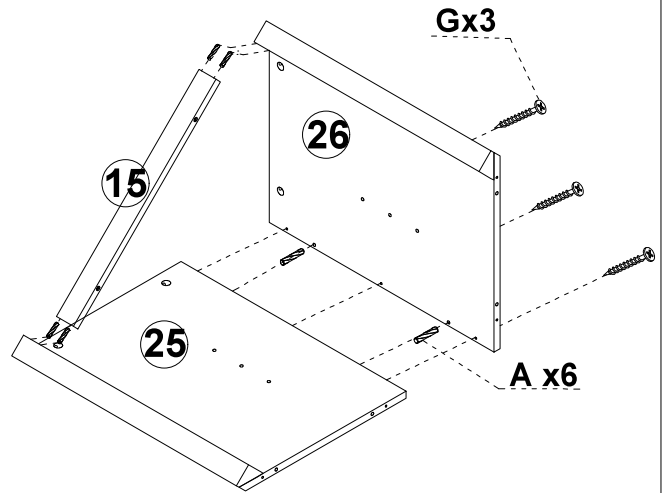
step 4



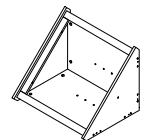
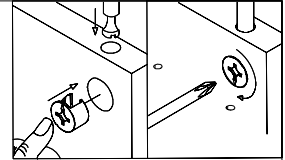
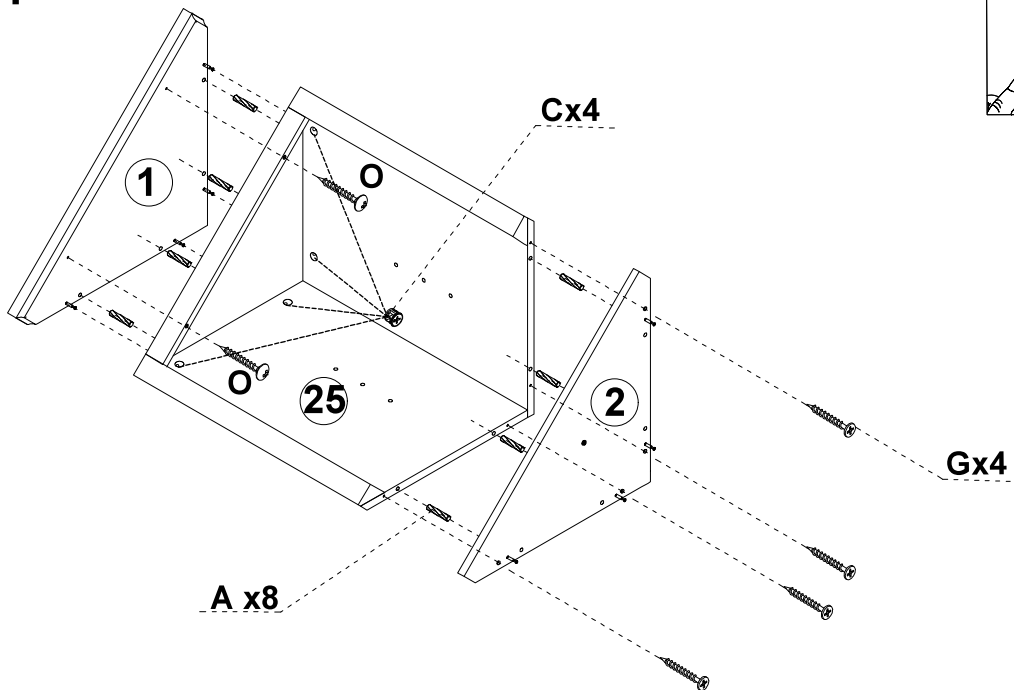
step 5



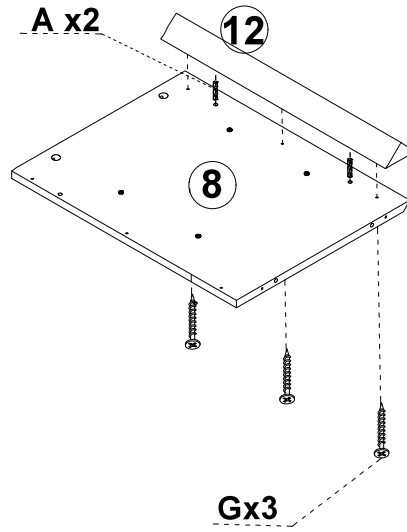
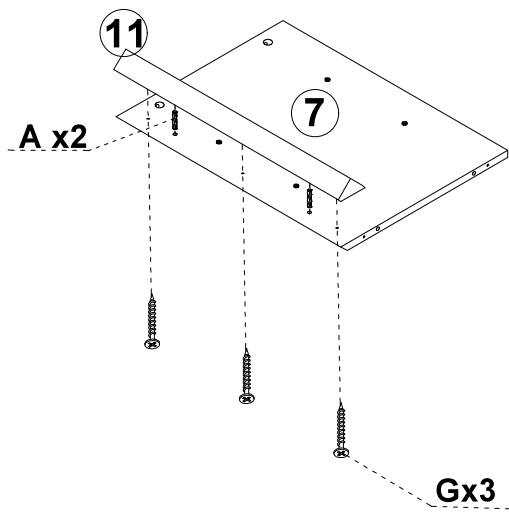
step 6



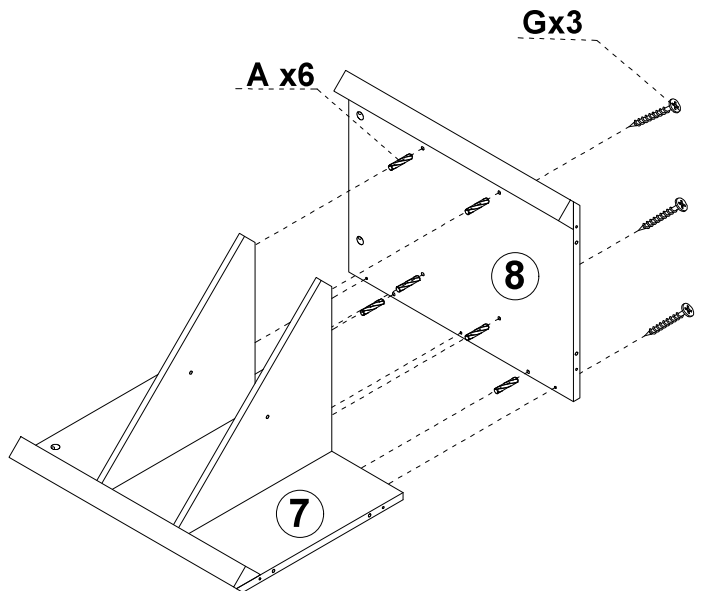
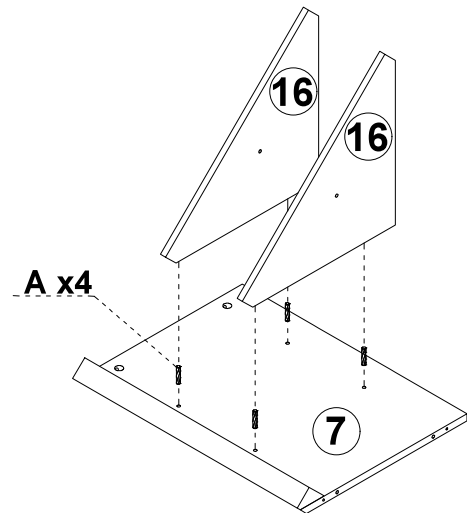
step 7



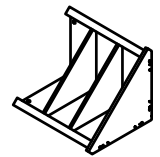
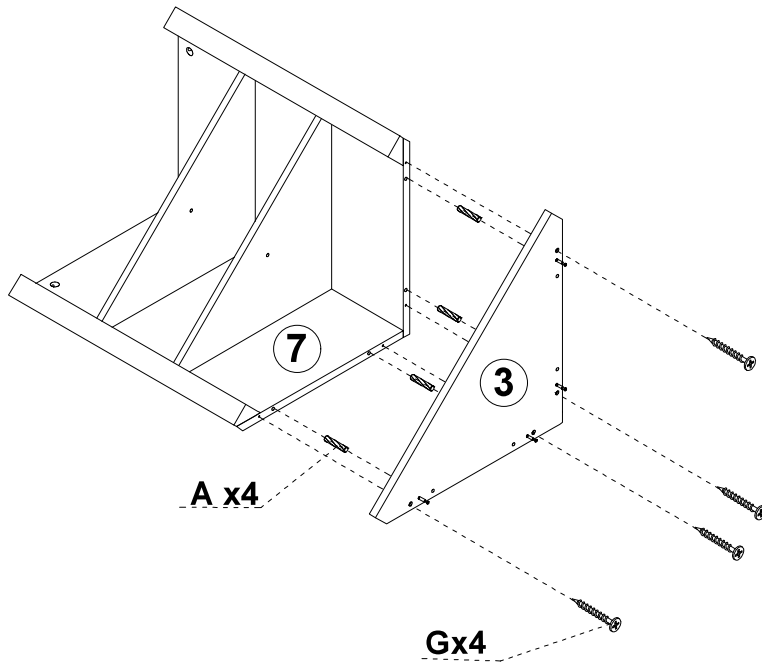
step 8



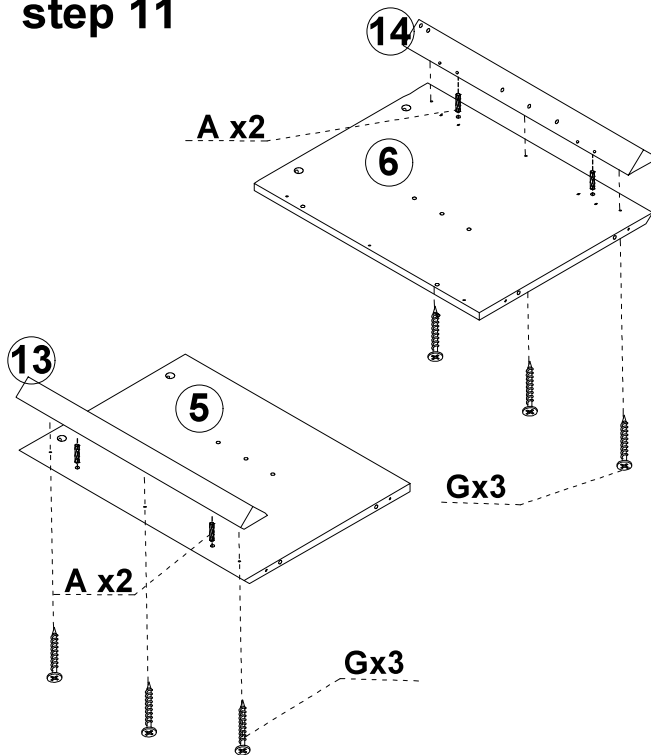
step 9



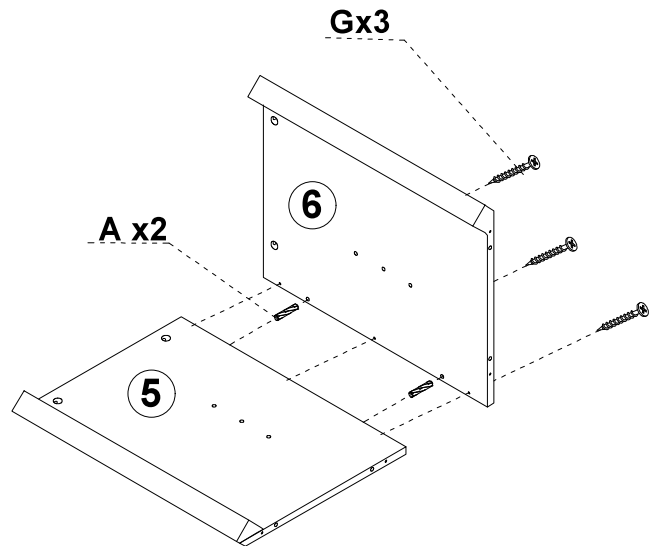
step 10



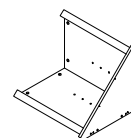
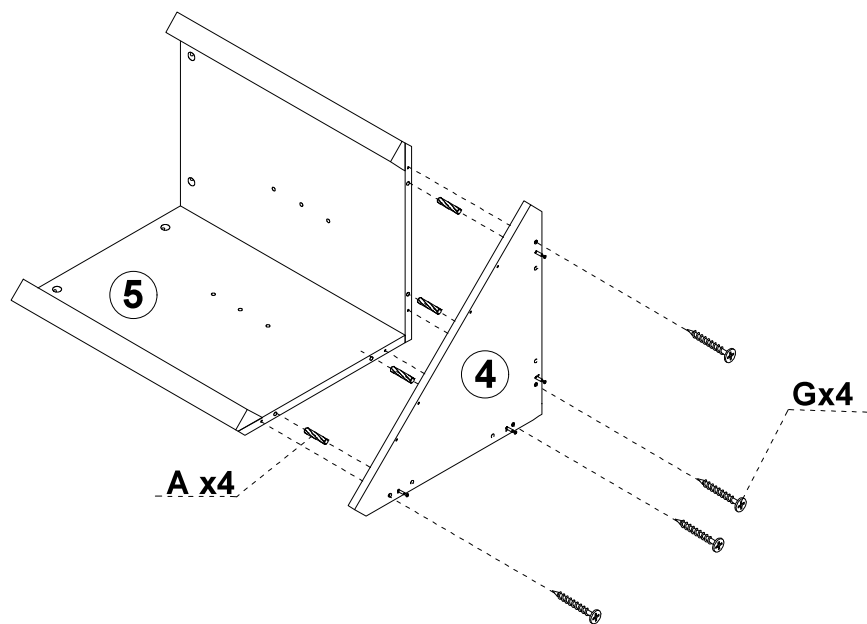
step 11



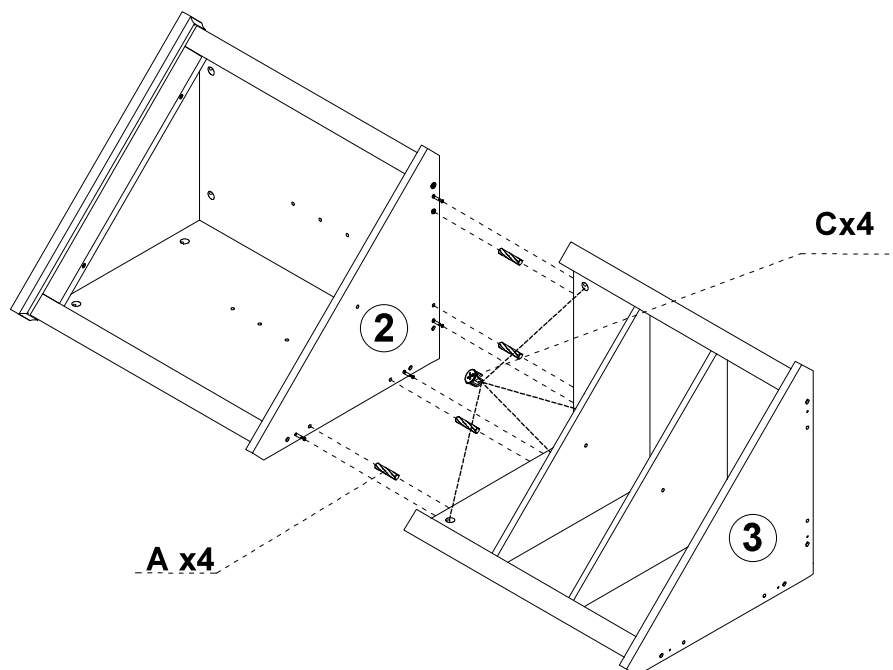
step 12



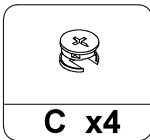
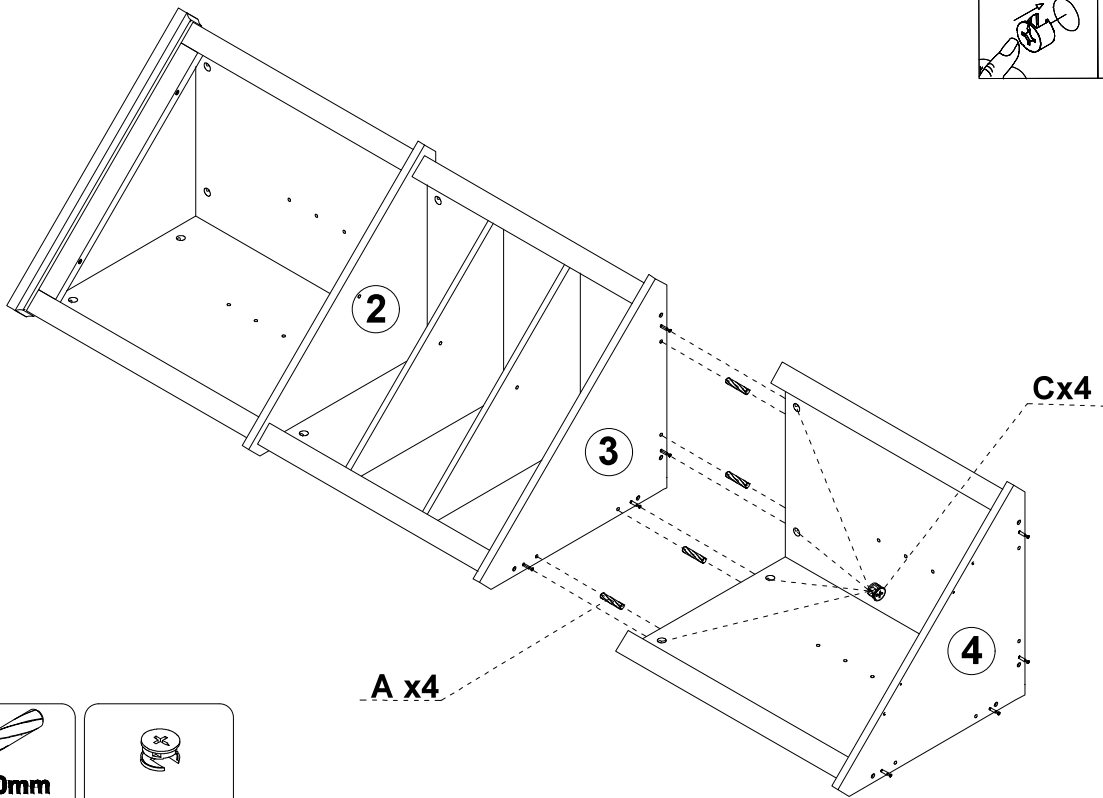
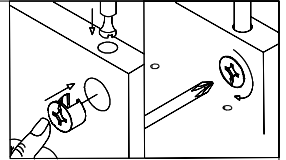
step 13



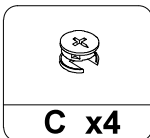
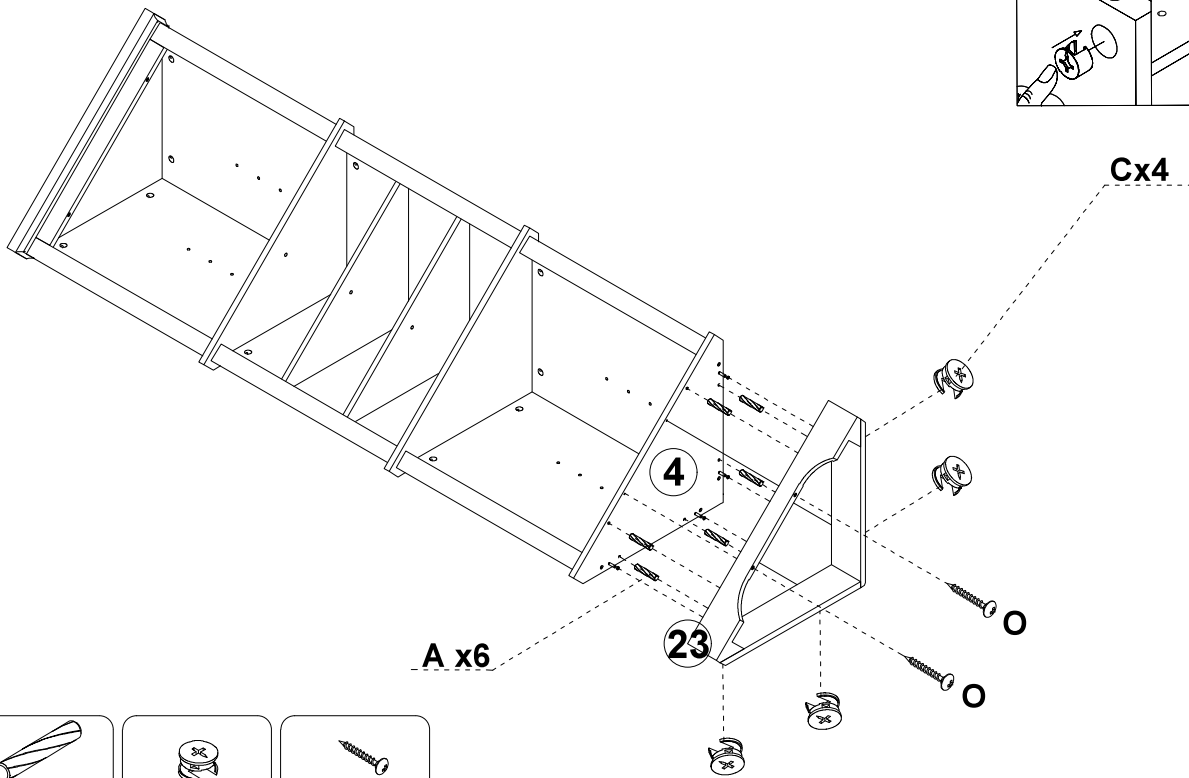
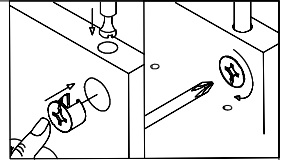
step 14



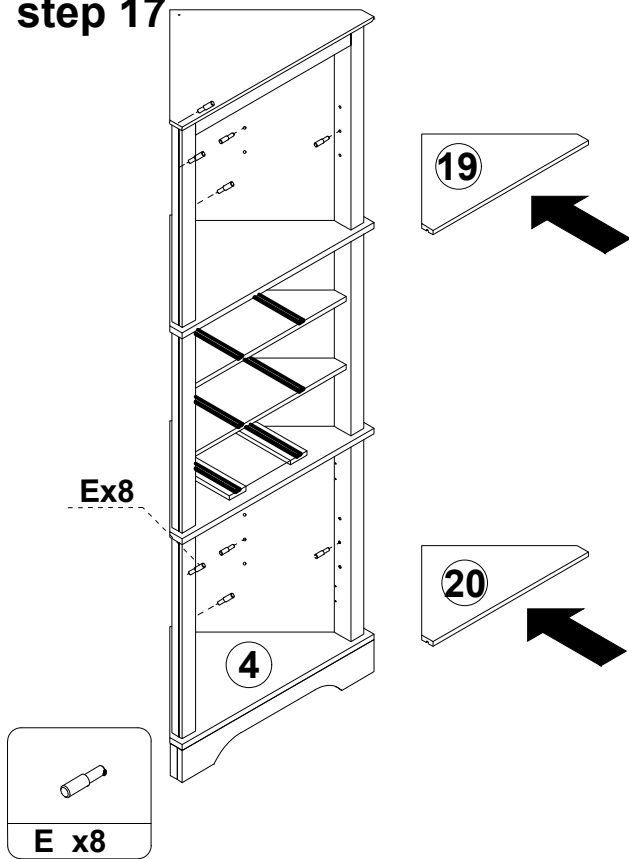
step 15



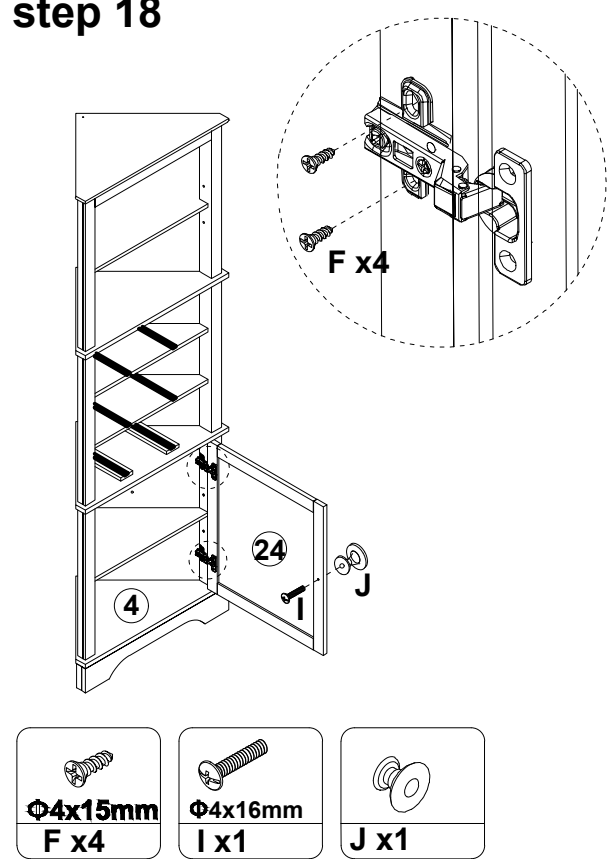
step 16



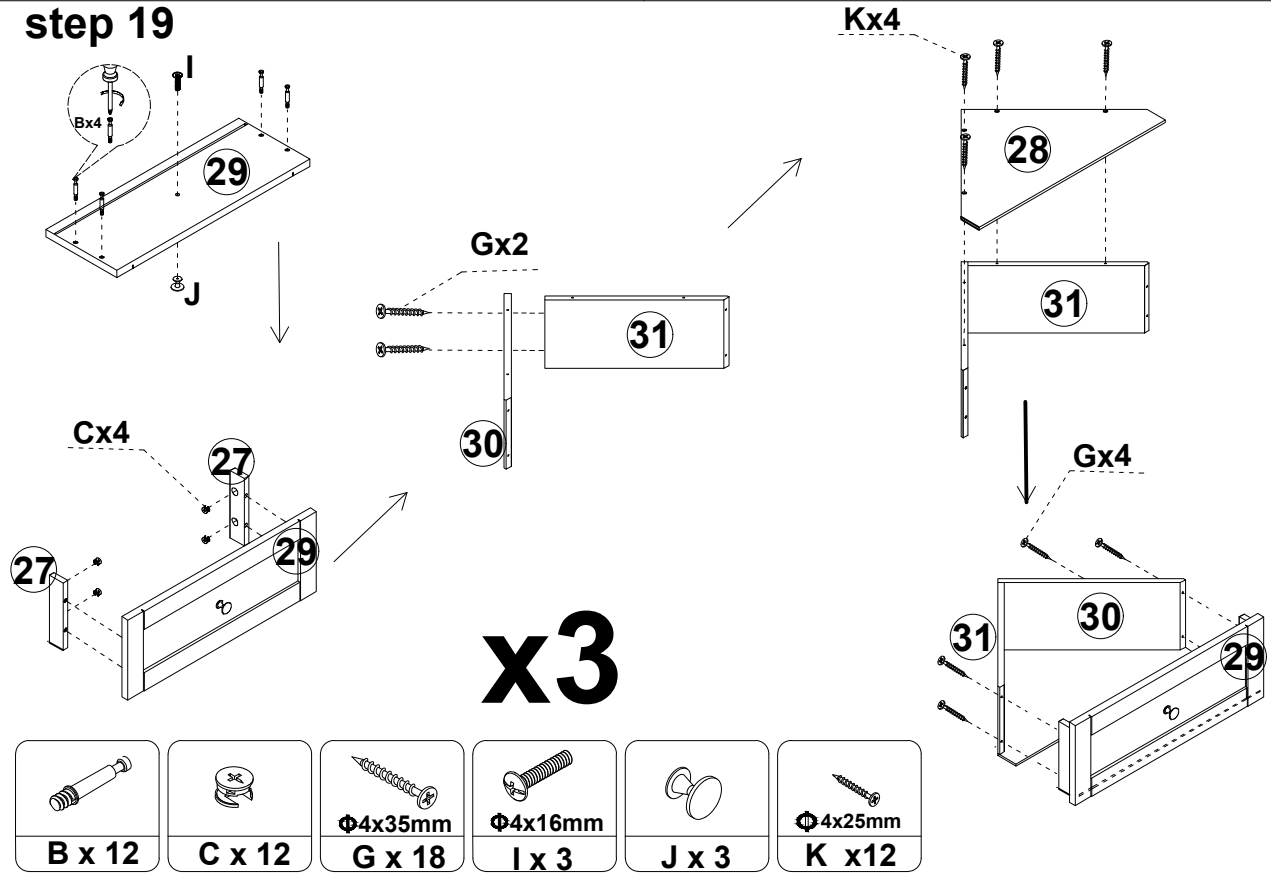
step 17



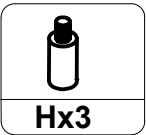
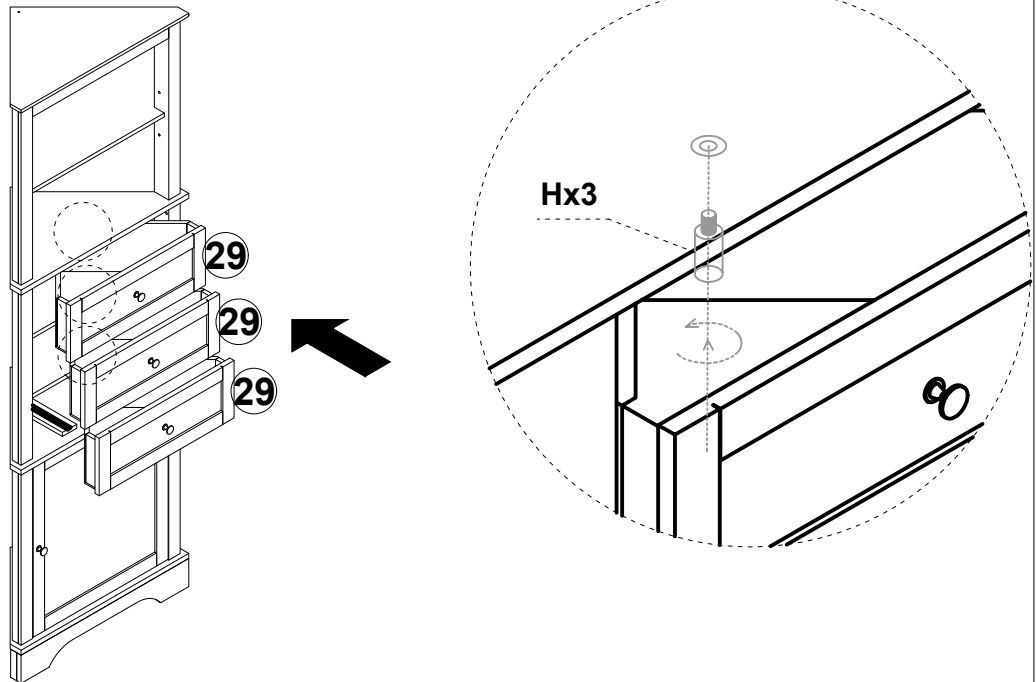
step 18



step 19



step 20



step 21

