

T6CS

Selectable CCT & Output Backlit LED Troffer

Product Description

Designed for easy contractor installation, the T6CS Backlit LED Troffer features a pre-mounted driver and a maintenance-free, fully-sealed chamber with seamless aluminum frame. The CCT and output selectable design allows for easy adjustment to 3500, 4000, or 5000K and standard, medium or high output. The T6CS LED Troffer fits easily into standard ceiling grids and is available in 1x4, 2x2, and 2x4 configurations, making it ideal for new construction and retrofit projects.

Construction

- Extruded aluminum frame with white powder coat finish
- Durable stamped housing
- High efficiency, fully sealed, maintenance-free LED chamber
- Smooth formed sides for safe handling

Optical System

- Patented internal optical system
- Precision engineered polystyrene diffuser
- High reflectivity internal coating
- No visible diodes, hot-spots, or shadows providing high uniformity, and reduced glare

Electrical

- Input voltage of 120-277VAC
- Dimming: 0-10V standard, dimming down to 10% or less with specified dimmers
- CCT and Output selector switches accessible on junction box

Mounting and installation

- Features a pre-mounted driver for contractor friendly installation
- Single cover plate with access to both line and low voltage connections.
- Integral grid tie clips with wire holes provided for seismic requirements
- Certified for direct contact with insulation
- Can be installed in conventional suspended grid ceiling or drywall with an optional adaptor
- Operating temperature rating of -4°F to 104°F (-20°C to 40°C)
- For installations where power surge may be possible, NICOR recommends installing additional surge protection at the fixture or electrical distribution panel

Warranty

- 5-year limited system warranty standard
- Warranty does not cover product failure due to an overvoltage event (power surge)

Listings

- UL and cUL 1598 listed for damp location
- DLC 5.1 Standard qualified
- TM-21 Reported L70 (9K) Life > 54,000 hours
- LM-79, LM-80 testing performed in accordance with IESNA standards

Project

Catalog

Type

Date



T6CS Backlit LED Troffer 1x4, 2x2, and 2x4 Selectable CCT Selectable Lumens



Ordering and Dimensions

Ordering Information

Example: T6CS124US8

PRODUCT	CCT	Version	Size	Voltage	CRI	Emergency	Sensor
T6C	S (Selectable)	1	14 (1'x4')	SU (120-277VAC)	8 (80+)	_ (blank)	_ (blank)
			22 (2' x 2')			E1 (EMB45)	IM (integrated microwave) ¹
			24 (2' x 4')			E2 (EMB80)	
						E3 (EMB250) ²	

Specifications and dimensions subject to change without notice.

1. Consult factory for availability. MOQ order required.

2. For surface mount, E3 option must be used with SK14, SK22, SK24 as applicable.

Accessories

Surface Mount Kit - 1x4	TPE10SK14
Surface Mount Kit for use with E1/E2 - 1x4	SK14M10WH
Surface Mount Kit for use with E3 - 1x4	SK14
Flange Kit - 1x4	TPE10FK14
Surface Mount Kit - 2x2	TPE10SK22
Surface Mount Kit for use with E1/E2 - 2x2	SK22M10WH
Surface Mount Kit for use with E3 - 2x2	SK22
Flange Kit - 2x2	TPE10FK22
Surface Mount Kit - 2x4	TPE10SK24
Surface Mount Kit for use with E1/E2 - 2x4	SK24M10WH
Surface Mount Kit for use with E3 - 2x4	SK24
Flange Kit - 2x4	TPE10FK24

Recommended Dimmers*

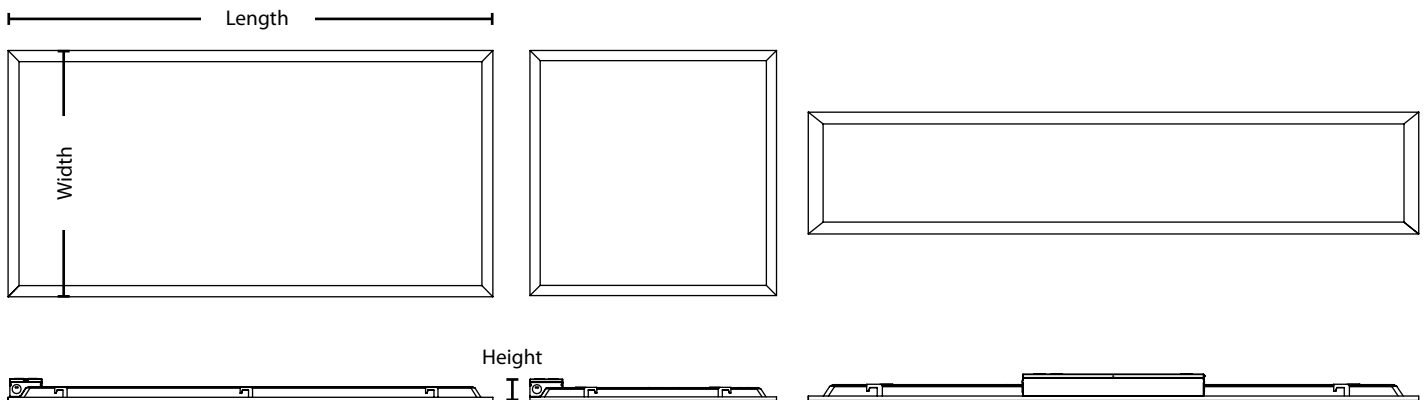
Lutron NTSTV
 Lutron DVSTV
 Cooper SF10P
 Legrand RH4FBL3PW

*Not a complete list.

Check compatibility before installation.

Dimensions

	T6CS114	T6CS122	T6CS124
Length	47.75" (1213mm)	23.74" (603mm)	47.75" (1213mm)
Width	23.74" (603)	23.74" (603mm)	11.93" (303mm)
Height	2.23" (56mm)		



Performance Data

T6CS114US8

Input Voltage (VAC)	120-277
System Level Power (W)	20.2
Delivered Lumens (Lm)	2542
System Efficacy (Lm/W)	126
Correlated Color Temp (K)	3500
Color Rendering Index (CRI)	83
Total Harmonic Distortion	<20%
Power Factor	>0.9
Beam Angle	114°
Spacing Criteria	1.28

Cone of Light Tabulation		
Mounted height (Feet)	Footcandles Beam Center	Diameter (Feet)
8	13.5	24.6
10	8.6	30.8
12	6.0	37.0
14	4.4	43.1

Data Multiplier			
T6CS114US8			
	35K	40K	50K
Low	1.00	1.02	1.02
Med	1.19	1.23	1.21
High	1.43	1.48	1.46

T6CS122US8

Input Voltage (VAC)	120-277
System Level Power (W)	17.7
Delivered Lumens (Lm)	1996
System Efficacy (Lm/W)	113
Correlated Color Temp (K)	3500
Color Rendering Index (CRI)	83
Total Harmonic Distortion	<20%
Power Factor	>0.9
Beam Angle	114°
Spacing Criteria	1.27

Cone of Light Tabulation		
Mounted height (Feet)	Footcandles Beam Center	Diameter (Feet)
8	10.8	24.6
10	6.9	30.8
12	4.8	37.0
14	3.5	43.1

Data Multiplier			
T6CS122US8			
	35K	40K	50K
Low	1.00	1.02	1.05
Med	1.49	1.53	1.51
High	1.91	2.01	2.01

T6CS124US8

Input Voltage (VAC)	120-277
System Level Power (W)	26.6
Delivered Lumens (Lm)	3143
System Efficacy (Lm/W)	118
Correlated Color Temp (K)	3500
Color Rendering Index (CRI)	83
Total Harmonic Distortion	<20%
Power Factor	>0.9
Beam Angle	114°
Spacing Criteria	1.28

Cone of Light Tabulation		
Mounted height (Feet)	Footcandles Beam Center	Diameter (Feet)
8	16.7	24.6
10	10.7	30.8
12	7.4	37.0
14	5.5	43.1

Data Multiplier			
T6CS124US8			
	35K	40K	50K
Low	1.00	1.03	1.01
Med	1.30	1.37	1.33
High	1.57	1.70	1.64

Fixture tested per LM-79-08. Photometric data is of the performance of a representative fixture. Results may vary in the field.

Performance Data

Performance Data						Emergency Pack Performance Data		
Model	Output Setting	Nominal CCT	Lumens	Watts	Efficiency	E1 Lumens	E2 Lumens	E3 Lumens
T6CS114US8	Standard	3500	2542	20.2	125.8	566	1007	3146
		4000	2597	19.7	131.8	593	1055	3296
		5000	2598	20.6	126.1	568	1009	3153
	Medium	3500	3025	25.0	121.0	545	968	3025
		4000	3115	24.2	128.7	579	1030	3218
		5000	3072	25.3	121.4	546	971	3036
	High	3500	3636	30.8	118.1	531	944	2951
		4000	3774	29.5	127.9	576	1023	3198
		5000	3710	31.3	118.5	533	948	2963
T6CS122US8	Standard	3500	1996	17.7	112.8	507	902	2819
		4000	2035	17.3	117.6	529	941	2941
		5000	2095	18.0	116.4	524	931	2910
	Medium	3500	2907	26.5	109.7	494	878	2742
		4000	3047	25.8	118.1	531	945	2953
		5000	3022	26.9	112.3	506	899	2809
	High	3500	3822	35.8	106.8	480	854	2669
		4000	4009	34.2	117.2	528	938	2931
		5000	4009	36.0	111.4	501	891	2784
T6CS124US8	Standard	3500	3143	26.6	118.2	532	945	2954
		4000	3228	25.9	124.6	561	997	3116
		5000	3187	26.8	118.9	535	951	2973
	Medium	3500	4092	36.0	113.7	512	909	2842
		4000	4319	35.0	123.4	555	987	3085
		5000	4187	36.3	115.3	519	923	2884
	High	3500	4920	44.9	109.6	493	877	2739
		4000	5341	43.5	122.8	553	982	3070
		5000	5170	45.0	114.9	517	919	2872

This device complies with part 15 of the FCC Rules. Operation is subject to the following two conditions: (1) This device may not cause harmful interference, and (2) this device must accept any interference received, including interference that may cause undesired operation.

NOTE: This equipment has been tested and found to comply with the limits for a Class A digital device, pursuant to part 15 of the FCC Rules. These limits are designed to provide reasonable protection against harmful interference when the equipment is operated in a commercial environment. This equipment generates, uses, and can radiate radio frequency energy and, if not installed and used in accordance with the instruction manual, may cause harmful interference to radio communications. Operation of this equipment in a residential area is likely to cause harmful interference in which case the user will be required to correct the interference at his own expense.