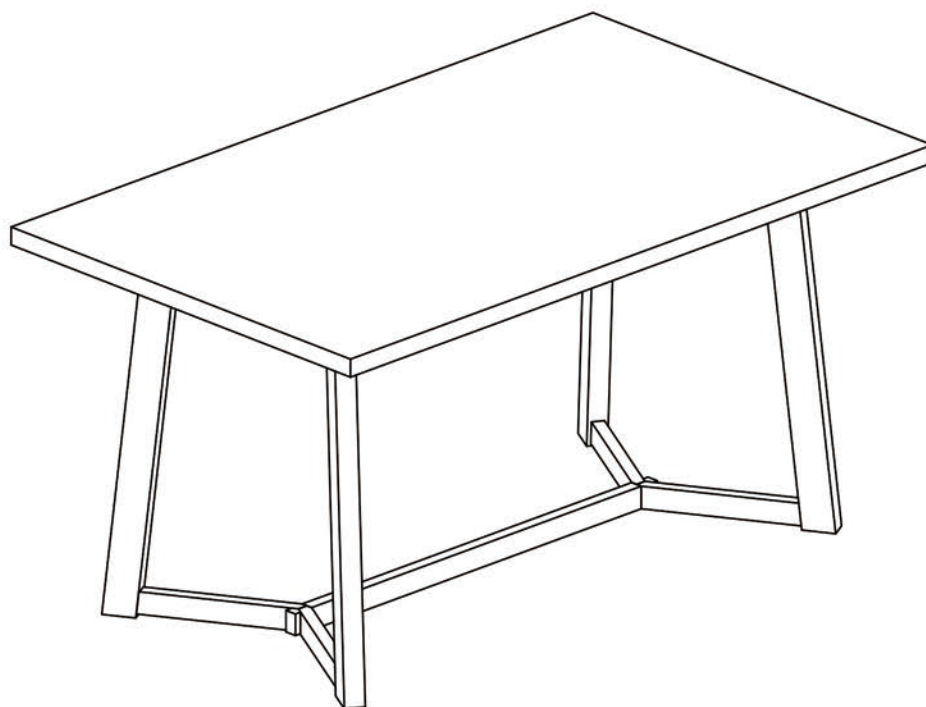


# ASSEMBLY INSTRUCTIONS

## DINING TABLE



**WF301854**

### **IMPORTANT NOTE:**

- PLACE ALL PARTS ON A CLEAN AND SMOOTH SURFACE SUCH AS A RUG OR CARPET TO AVOID THE PARTS FROM BEING SCRATCHED.
- BEFORE YOU BEGIN, KINDLY FOLLOW THE ASSEMBLY INSTRUCTIONS STEP BY STEP.
- DO NOT TIGHTEN ALL SCREWS AND BOLTS UNTIL THE TABLE IS FULLY SET-UP.

# CARTON CONTENT:

WF301854 :



1 x 1



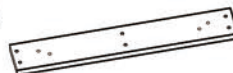
2 x 4



3 x 2



4 x 1



5 x 2



6 x 2

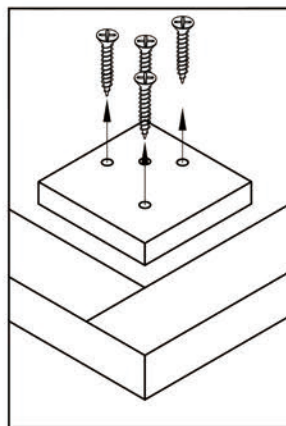
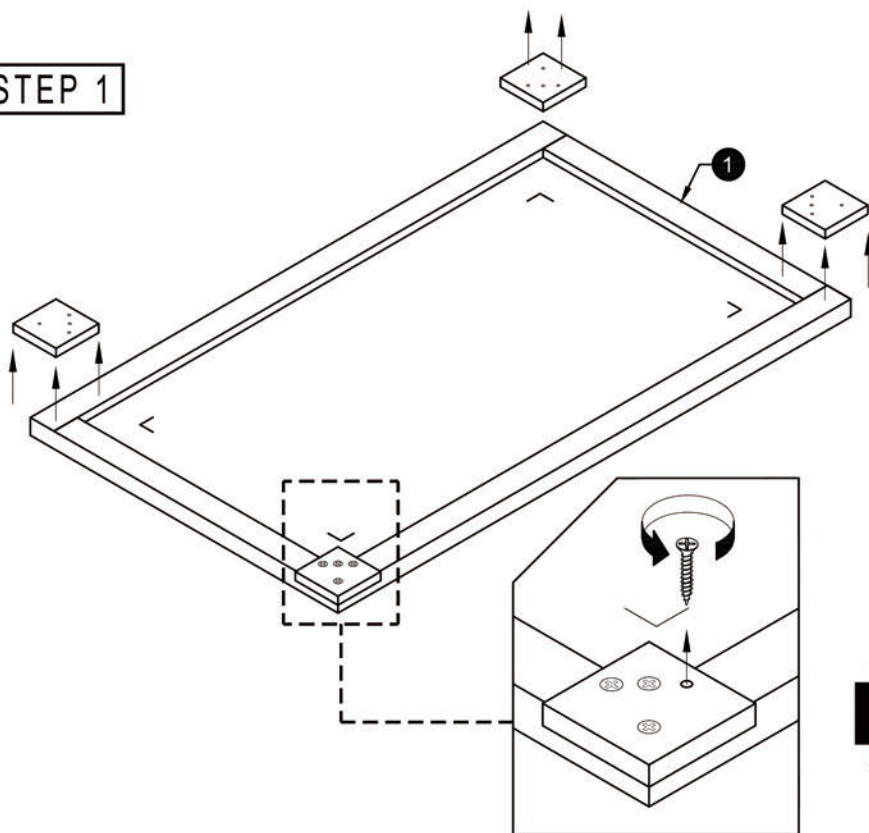
## TABLE PART LISTS

NO.	DESCRIPTION	SKETCH	QTY
1	TABLE TOP		1 PC
2	TABLE LEG		4 PCS
3	LEG BOTTOM		2 PCS
4	LEG BOTTOM MID		1 PC
5	LEG SUPPORT		2 PCS
6	CROSS BAR		2 PCS

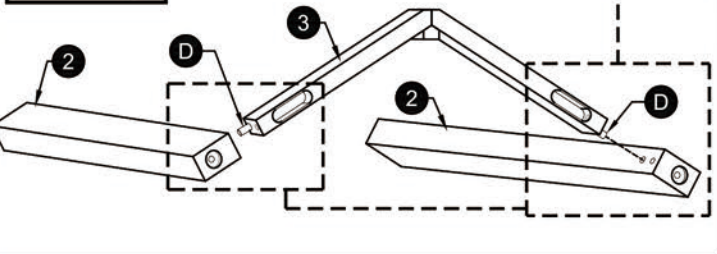
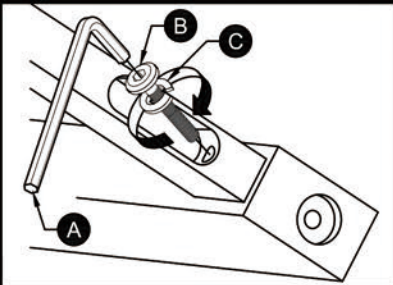
## TABLE HARDWARE LISTS

NO.	DESCRIPTION	SKETCH	QTY
A	ALLEN KEY M4		1 PC
B	JCBC BOLT M6 x 50mm		14 PCS
C	SPRING WASHER 1/4"		14 PCS
D	WOOD DOWEL M10 x 30mm		6 PCS
E	ADJUSTER M6 x 23mm		4 PCS
F	C/B SCREW M4 x 25mm		20 PCS
G	C/B SCREW M4 x 45mm		10 PCS

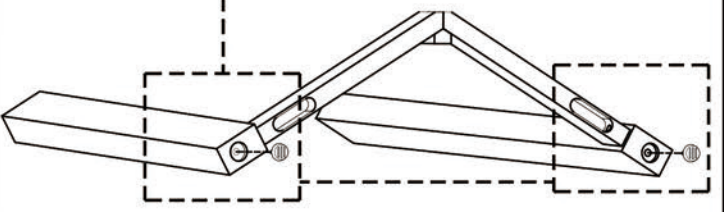
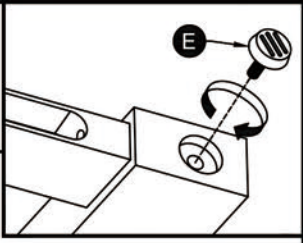
STEP 1



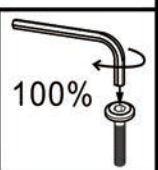
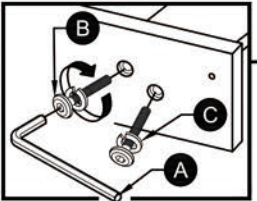
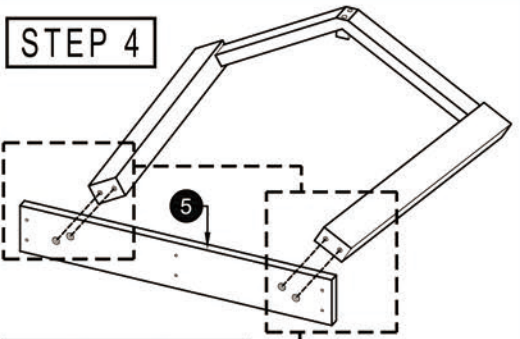
STEP 2



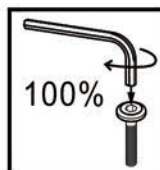
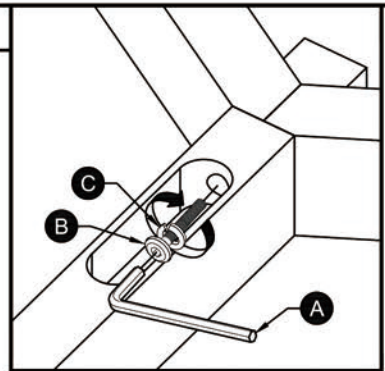
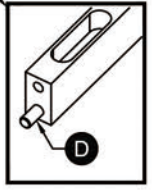
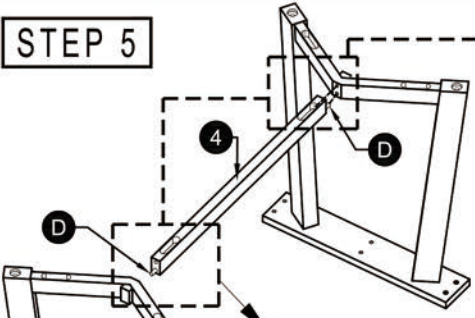
STEP 3



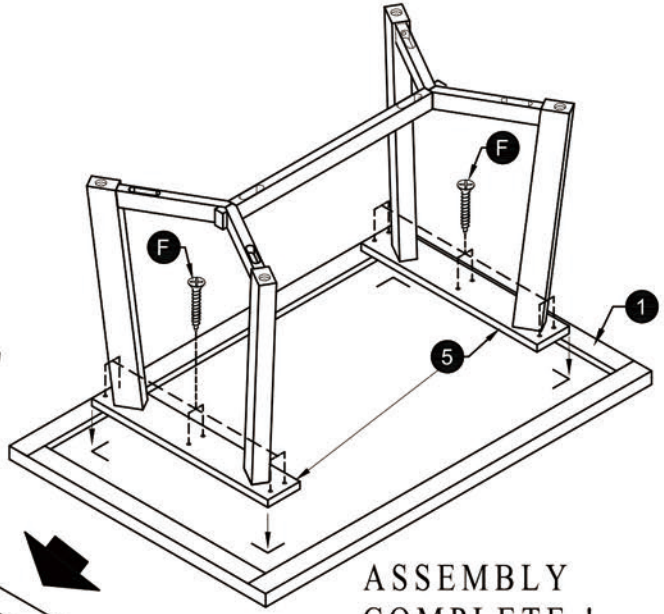
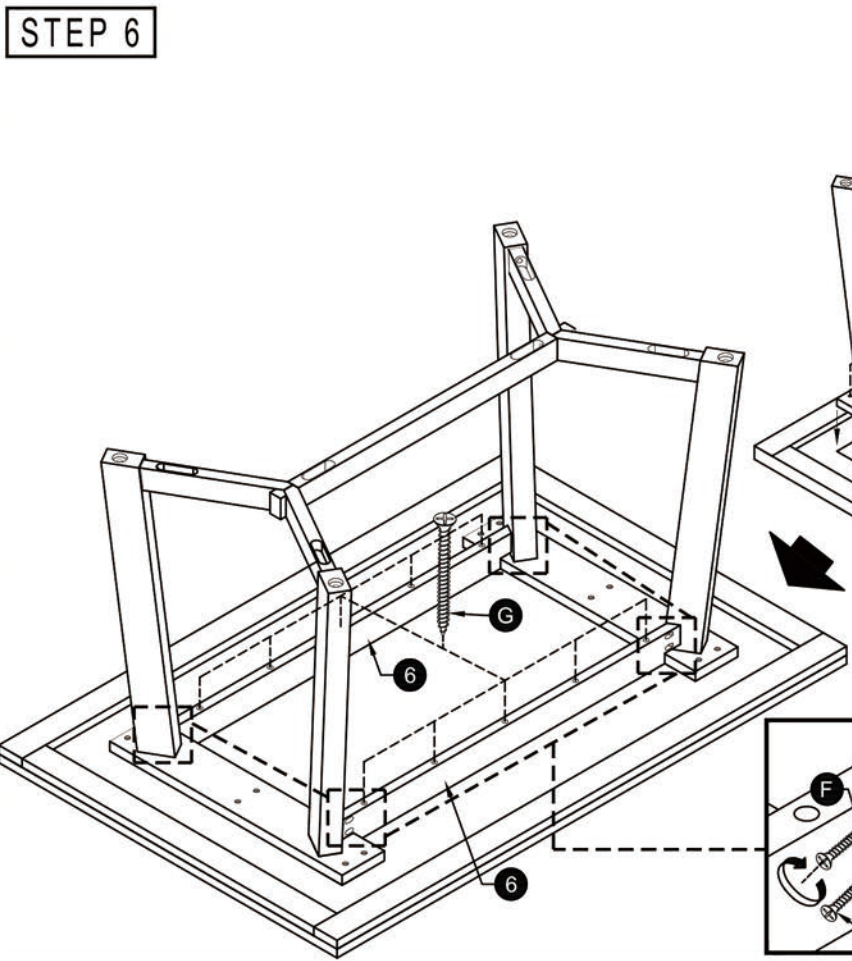
STEP 4



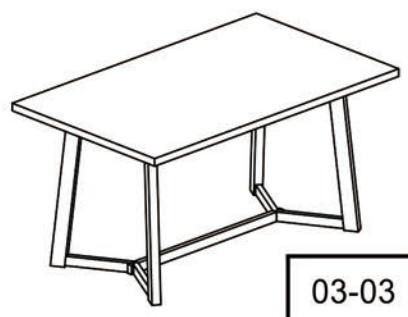
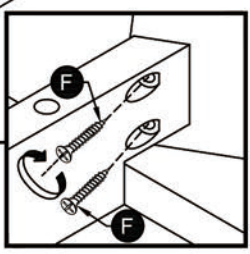
STEP 5



STEP 6

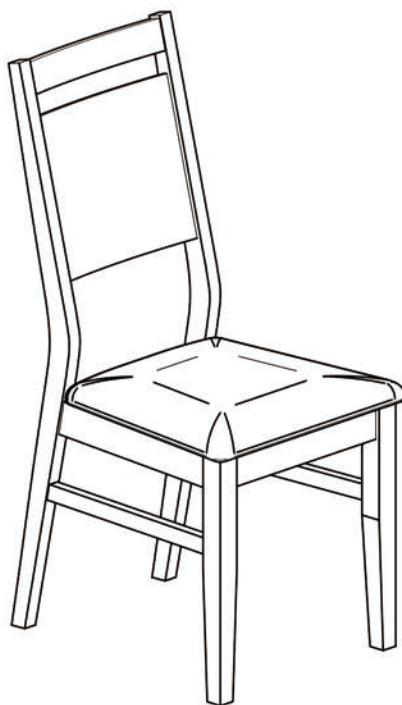


ASSEMBLY COMPLETE !



# ASSEMBLY INSTRUCTIONS

## DINING CHAIR



**WF301855**

### **IMPORTANT NOTE:**

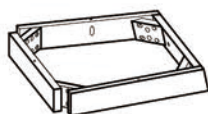
- PLACE ALL PARTS ON A CLEAN AND SMOOTH SURFACE SUCH AS A RUG OR CARPET TO AVOID THE PARTS FROM BEING SCRATCHED.
- BEFORE YOU BEGIN, KINDLY FOLLOW THE ASSEMBLY INSTRUCTIONS STEP BY STEP.
- DO NOT TIGHTEN ALL SCREWS AND BOLTS UNTIL THE CHAIR IS FULLY SET-UP.

# CARTON CONTENT:

WF301855 :



1 x 4



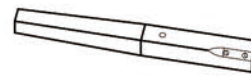
2 x 4



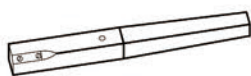
3 x 4



4 x 4



5 x 4



6 x 4



7 x 4

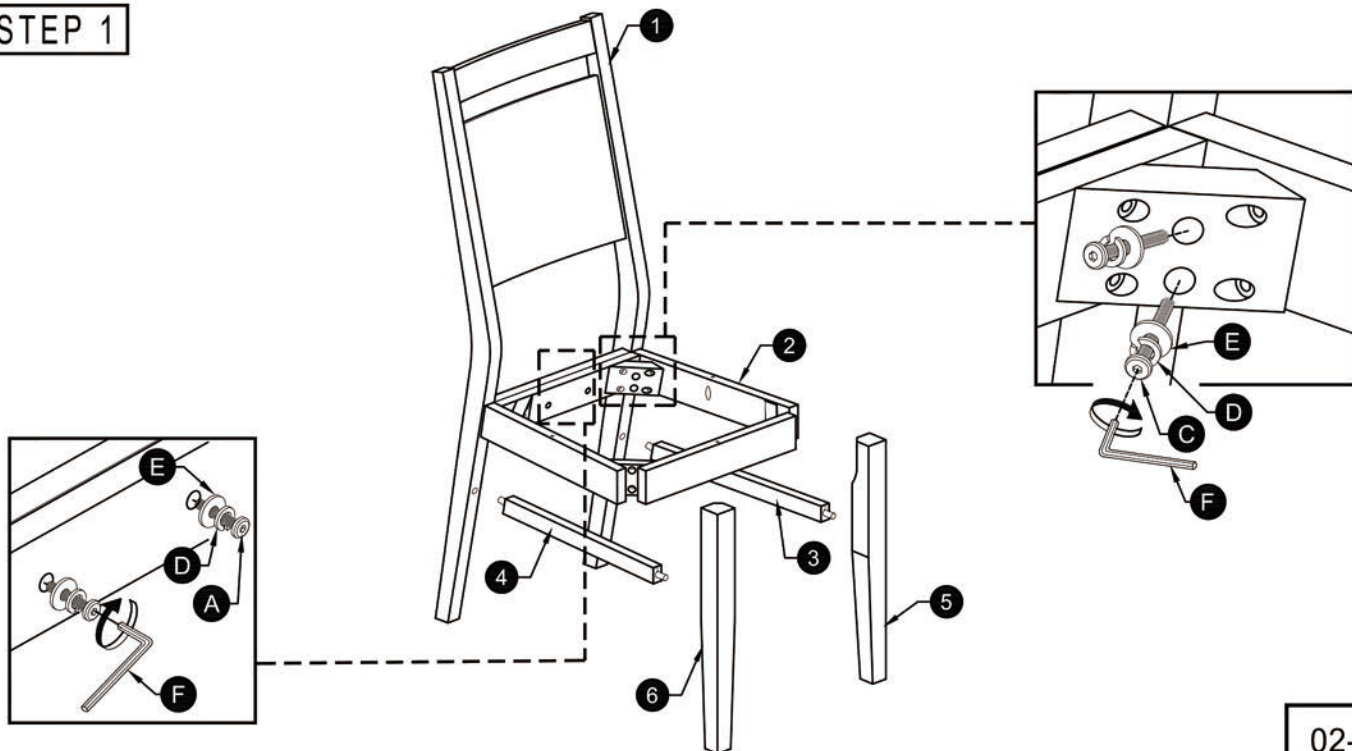
## CHAIR PART LISTS

NO.	DESCRIPTION	SKETCH	QTY
1	BACK LEG		4 PCS
2	BOX SEAT		4 PCS
3	STRETCHER-R		4 PCS
4	STRETCHER-L		4 PCS
5	FRONT LEG-R		4 PCS
6	FRONT LEG-L		4 PCS
7	SEAT		4 PCS

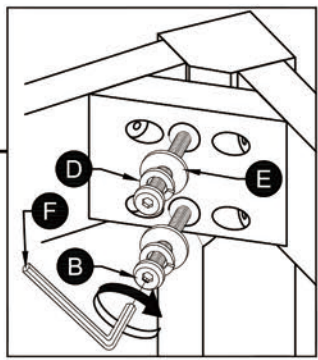
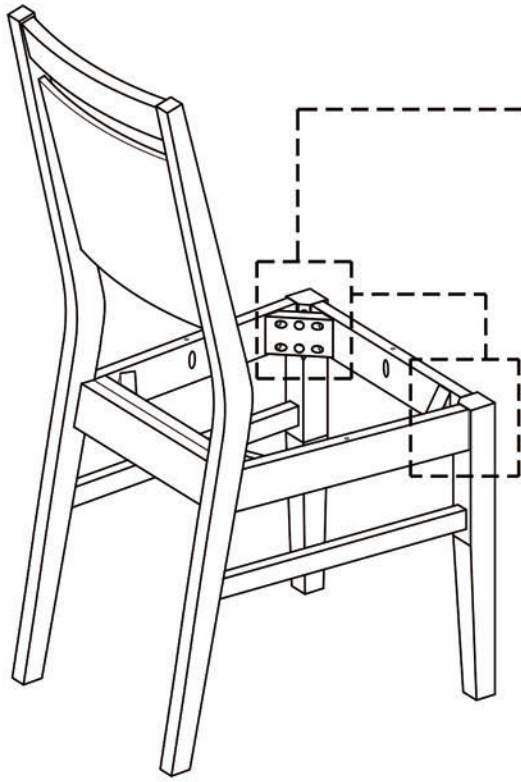
## CHAIR HARDWARE LISTS

NO.	DESCRIPTION	SKETCH	QTY
A	JCBC BOLT M6 x 35mm		8 PCS
B	JCBC BOLT M6 x 60mm		16 PCS
C	JCBC BOLT M6 x 80mm		16 PCS
D	SPRING WASHER 1/4"		40 PCS
E	FLAT WASHER 1/4"		40 PCS
F	ALLEN KEY M4		1 PC
G	C/B SCREW M4 x 30mm		12 PCS
H	C/B SCREW M4 x 45mm		16 PCS

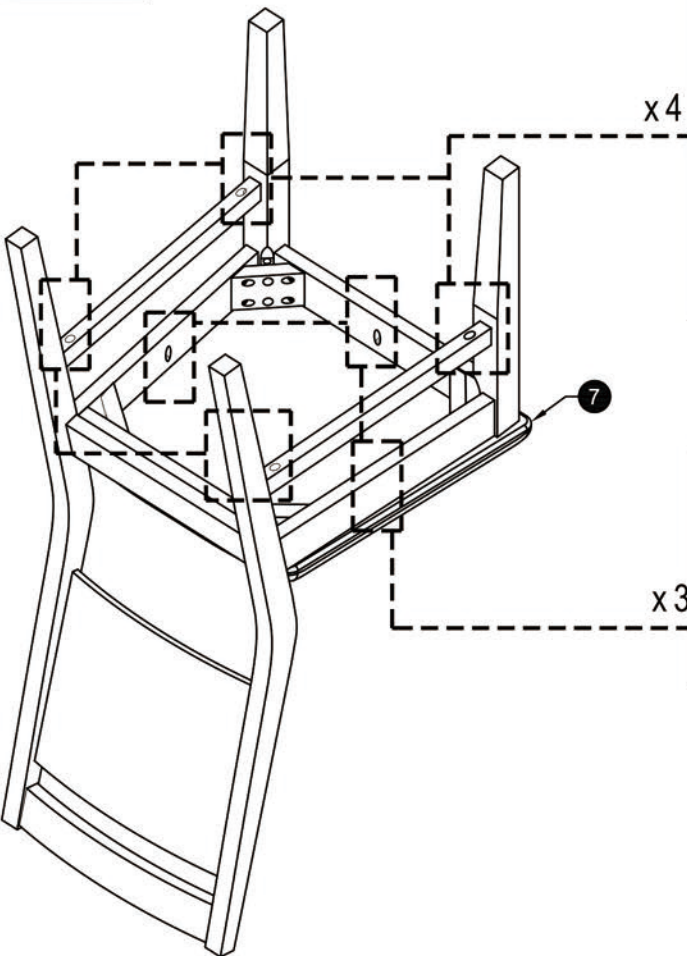
### STEP 1



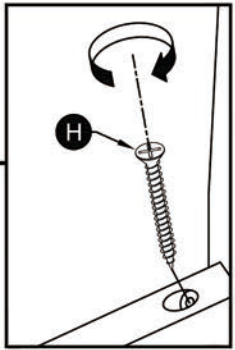
STEP 2



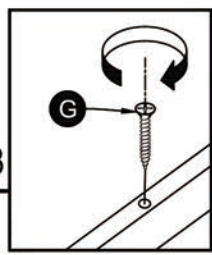
STEP 3



x 4



x 3

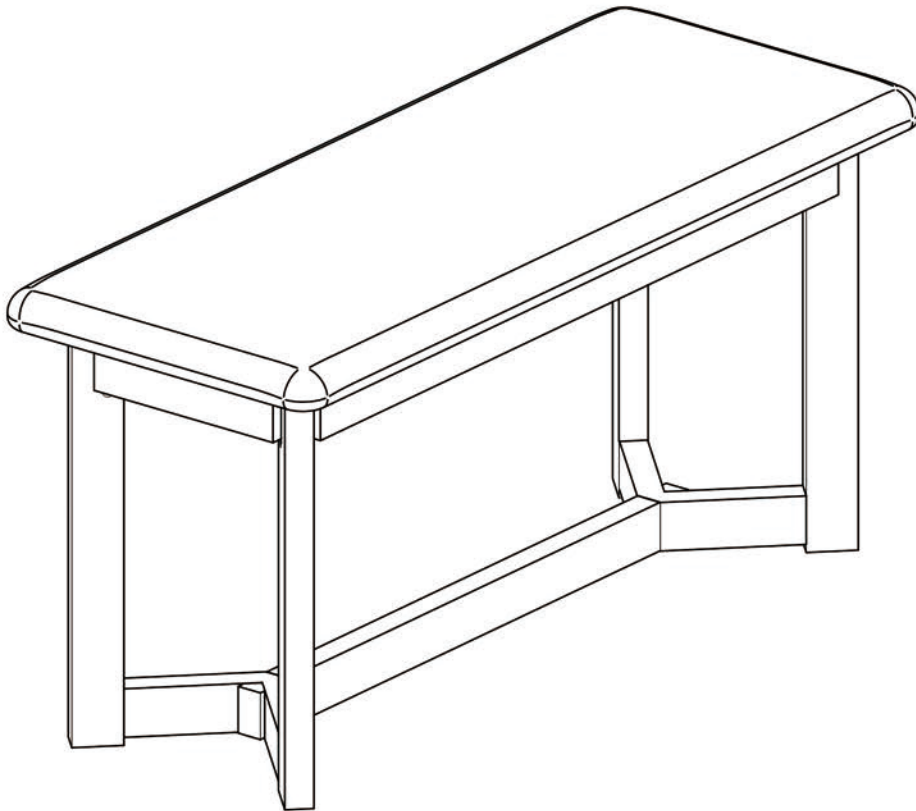


ASSEMBLY COMPLETE !



# ASSEMBLY INSTRUCTIONS

## DINING BENCH



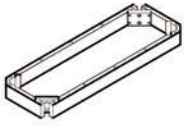
**WF301855**

### IMPORTANT NOTE:

- PLACE ALL PARTS ON A CLEAN AND SMOOTH SURFACE SUCH AS A RUG OR CARPET TO AVOID THE PARTS FROM BEING SCRATCHED.
- BEFORE YOU BEGIN, KINDLY FOLLOW THE ASSEMBLY INSTRUCTIONS STEP BY STEP.
- DO NOT TIGHTEN ALL SCREWS AND BOLTS UNTIL THE BENCH IS FULLY SET-UP.

# CARTON CONTENT:

WF301855 :



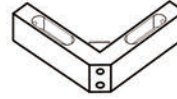
8 x 1



9 x 1



10 x 4



11 x 2



12 x 1

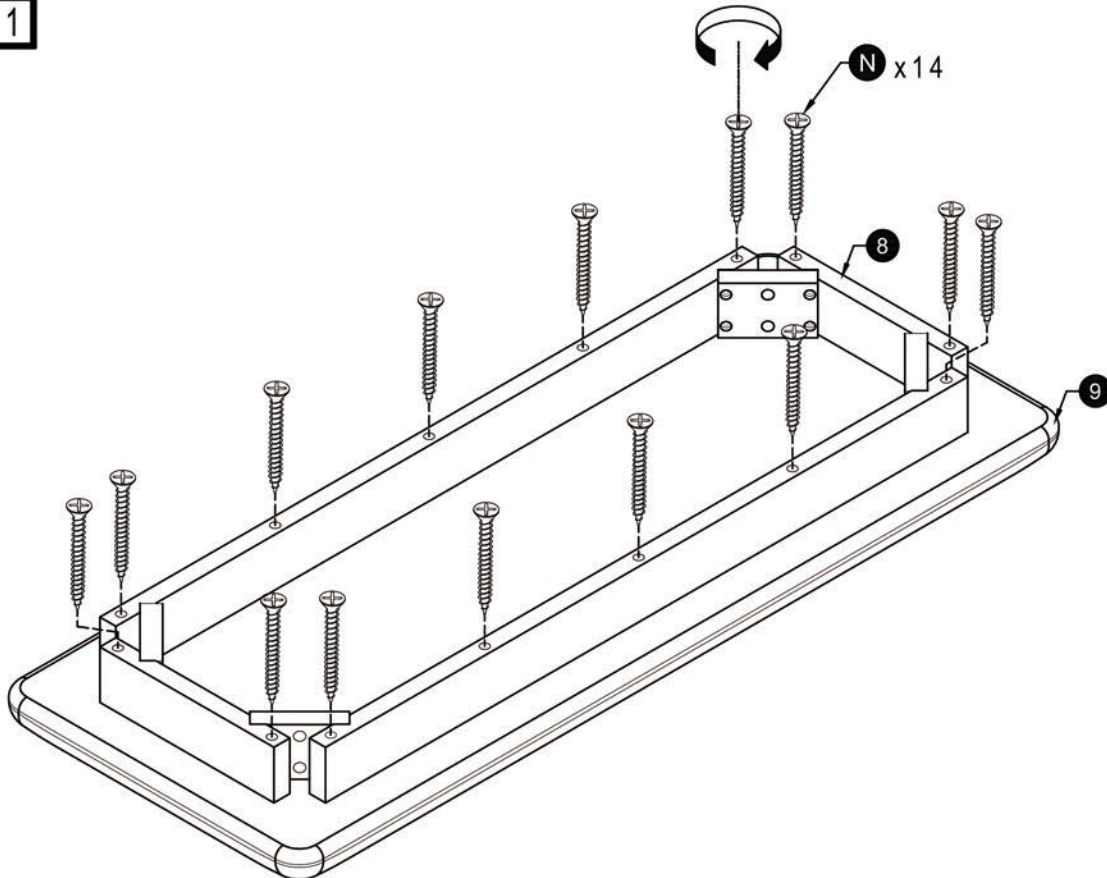
## CHAIR PART LISTS

NO.	DESCRIPTION	SKETCH	QTY
8	BOX SEAT		1 PC
9	SEAT		1 PC
10	LEG		4 PCS
11	LEG BOTTOM		2 PCS
12	LEG BOTTOM MID		1 PC

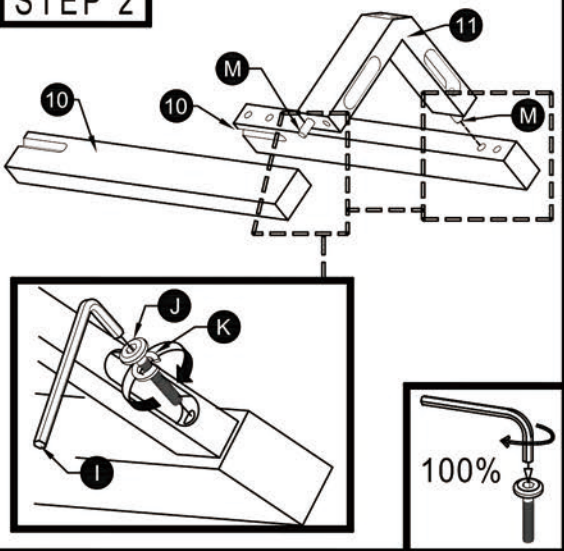
## CHAIR HARDWARE LISTS

NO.	DESCRIPTION	SKETCH	QTY
I	ALLEN KEY M4		1 PC
J	JCBC BOLT M6 x 50mm		14 PCS
K	SPRING WASHER 1/4"		14 PCS
L	FLAT WASHER 1/4"		8 PCS
M	WOOD DOWEL M10 x 30mm		6 PCS
N	C/B SCREW M4 x 45mm		14 PCS

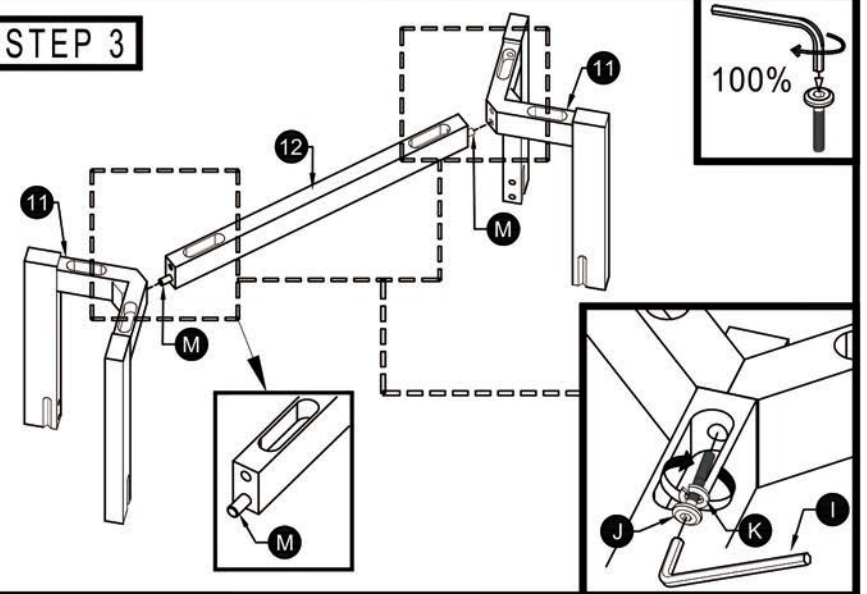
### STEP 1



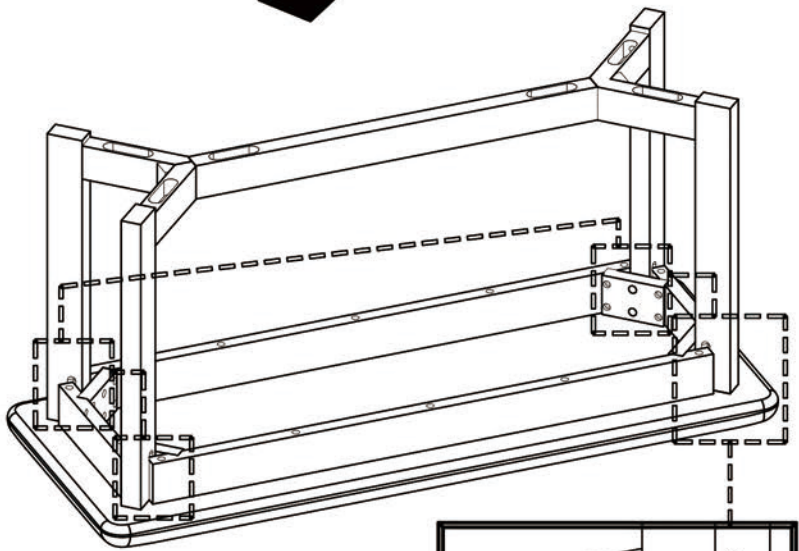
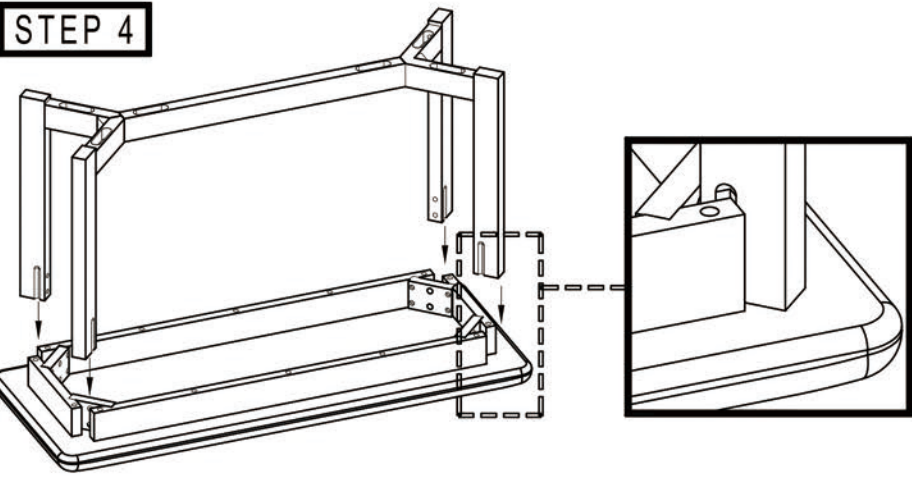
STEP 2



STEP 3



STEP 4



ASSEMBLY COMPLETE !

