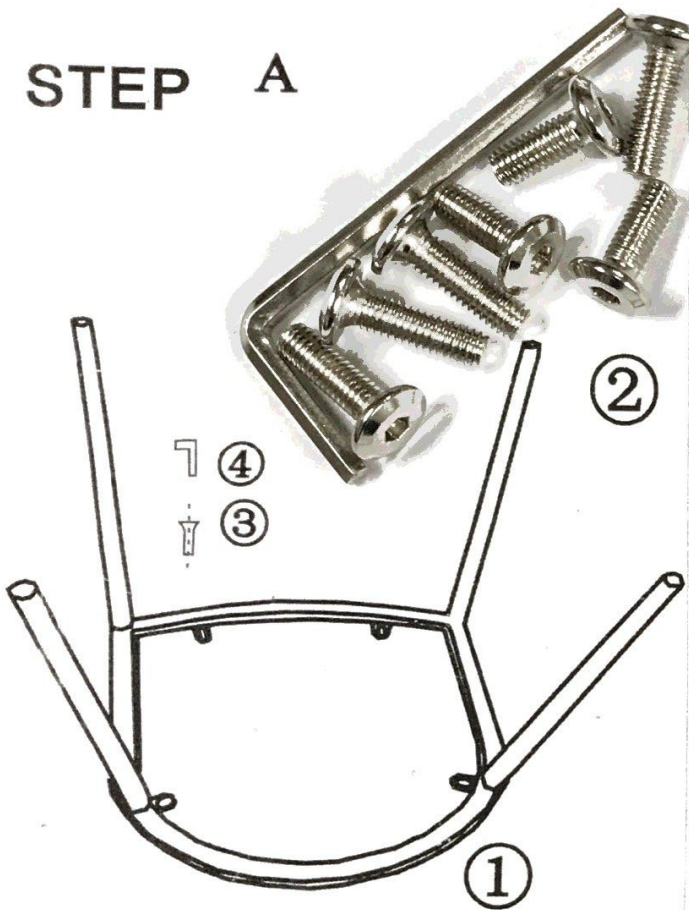
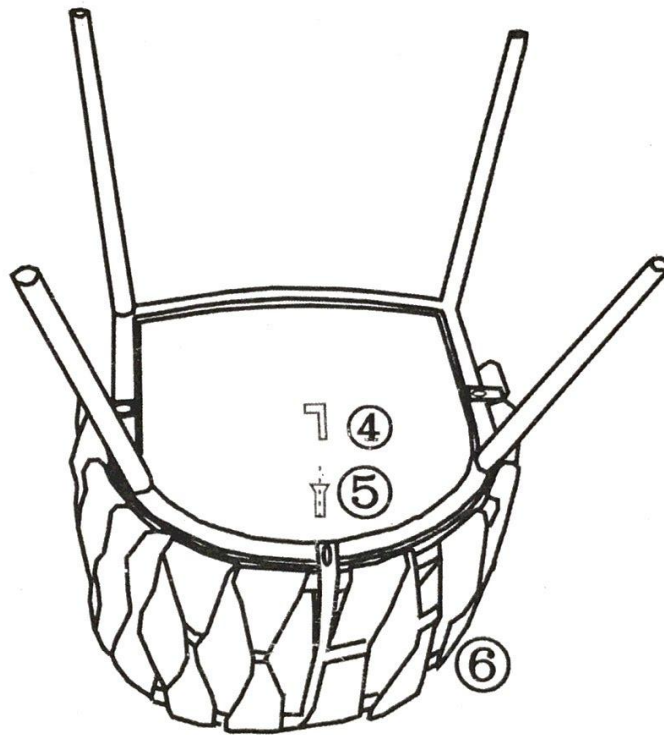


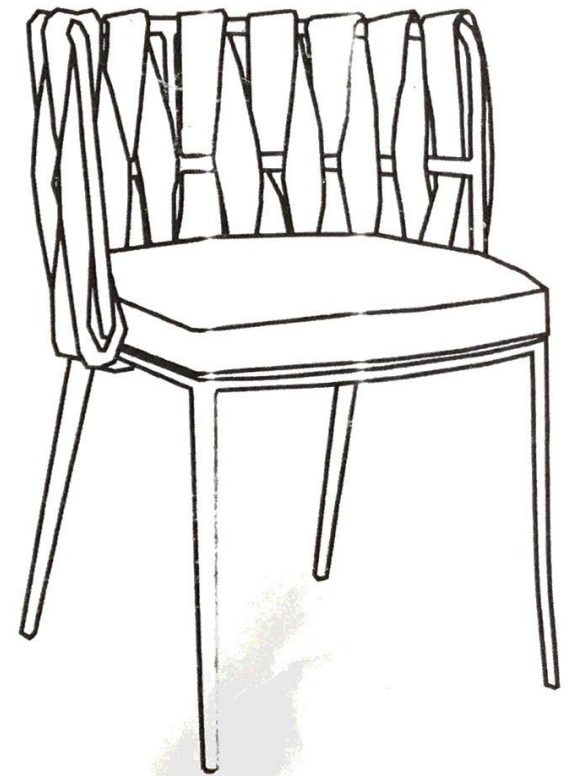
STEP A



STEP B



STEP C



①



②



③

Screw



M6*20*4Pcs

④

Spanner



Φ4x1Pcs

⑤

Screw



M6*15*3Pcs

⑥

