

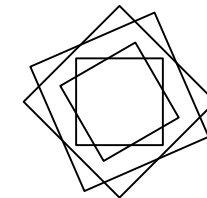
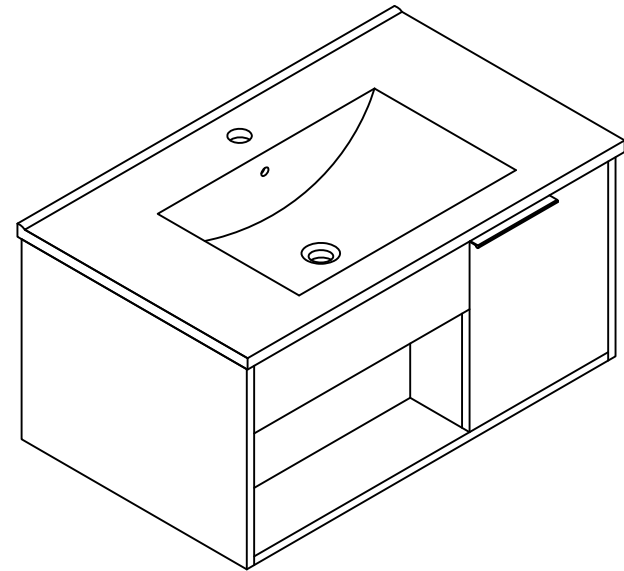
Installation Manual-

UNOR VB 003 24
UNOR VB 003 30
UNOR VB 003 36

**MOTIVATE
YOUR LIFE !**

THANKS FOR WATCHING

Your feedback is invaluable to us and we would love to hear about your experience. Please take the time to leave us a review.



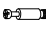




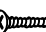







Thank you for shopping with us!

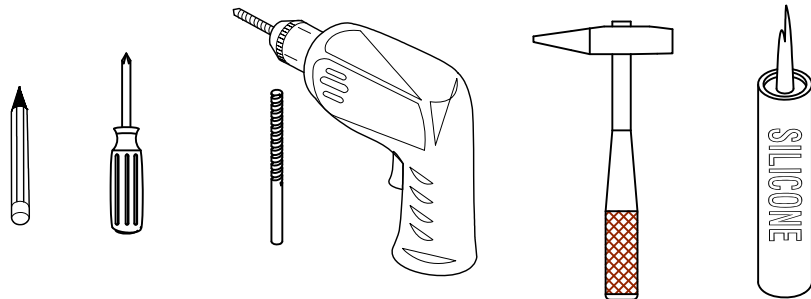
We encourage you to take a few minutes to go through this booklet. It contains important information on installation and care tips to keep your furniture looking as good as new.

Item NO.:UNOR VB 003 24 / 30 / 36

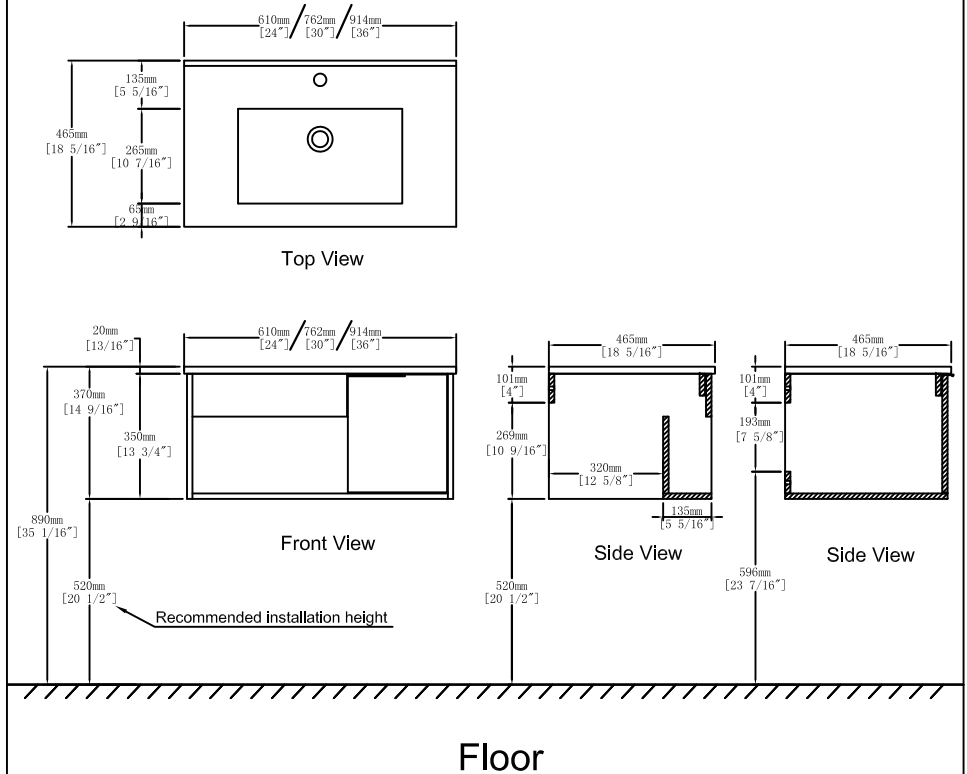
Hardware

NO.	Draw	QTY	NO.	Draw	QTY
A	 Screws Ø4x14mm	32	H	 Bracket (19x19x35mm)	2
B	 Two-in-one connector	28	I	 Hinges(Internal hiding)	2
C	 Two-in-one connector	28	J	 Handle(Screws Ø4x14mm)	1
D	 Wood plug	6	K	 Screws Ø4x25mm	3
E	 Plastic anchor(Ø10mm)	3	L	 Anti-collision gasket	2
F	 Screws for fix on the wall	3	M	 Screwdriver	1
G	 Bracket (53x70x44mm)	2			

Recommended tools



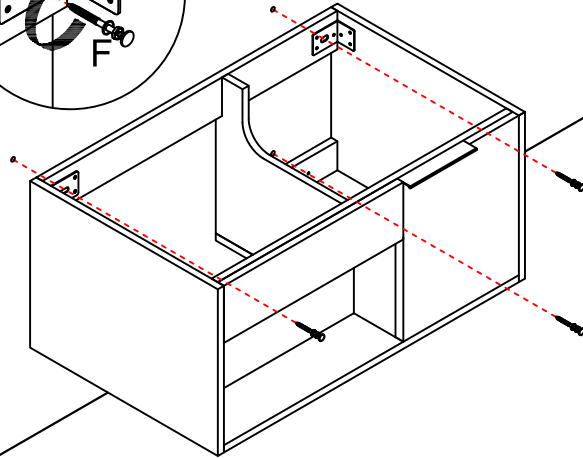
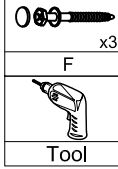
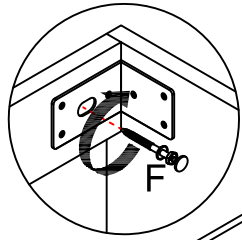
Dimensions



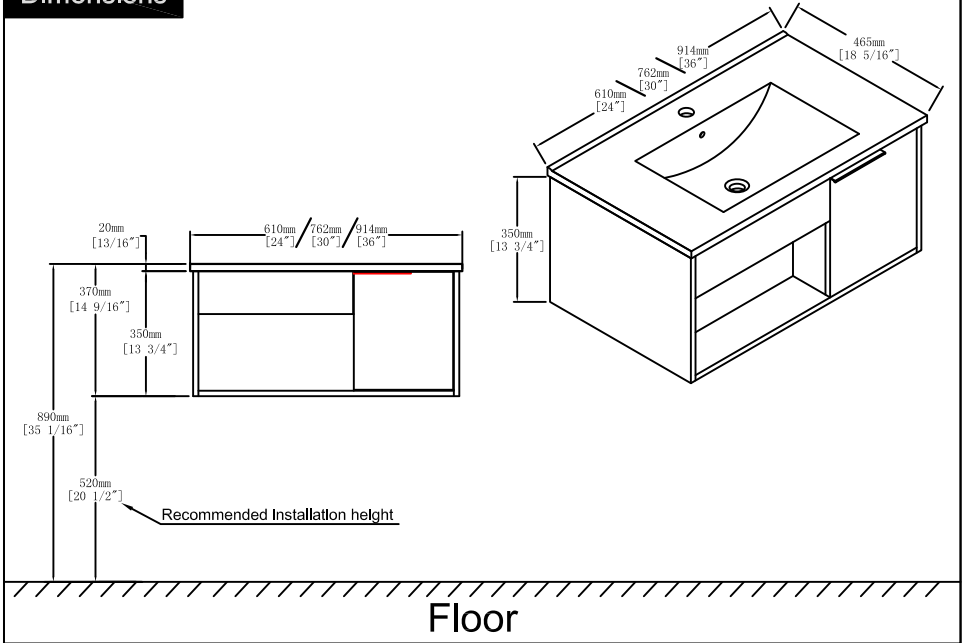
CARE CLEANING AND MAINTENANCE

1. Dust regularly with a soft , dry cloth.
2. Avoid the use of all chemicals household cleaners, abrasives, or cleaners that contain lemon, vinegar, or other acids that may damage the finish.
3. Excessive exposure to sunlight and extreme changes in temperature and moisture can damage wood furniture.
4. The sink is fragile, please pay attention to maintaining its appearance.
5. Do not place hot appliances, such as curling irons and hot hair dryers directly on the countertop. Wipe spills immediately.

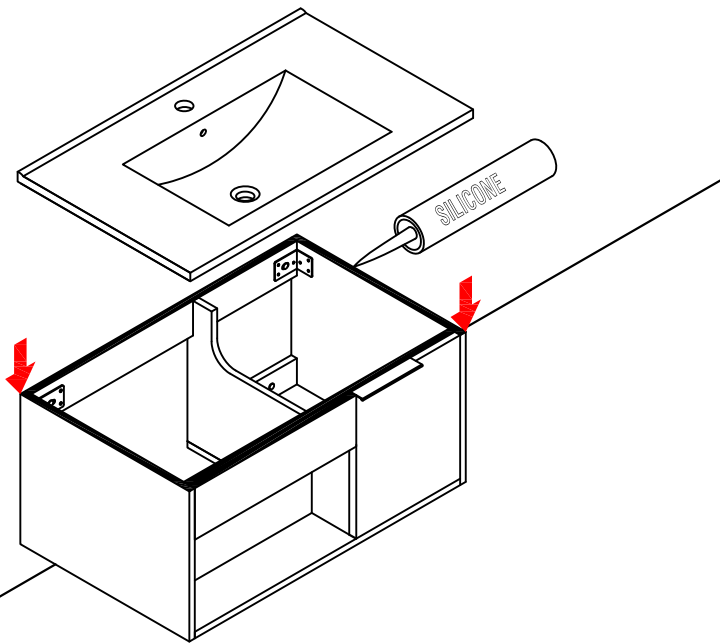
Step 14



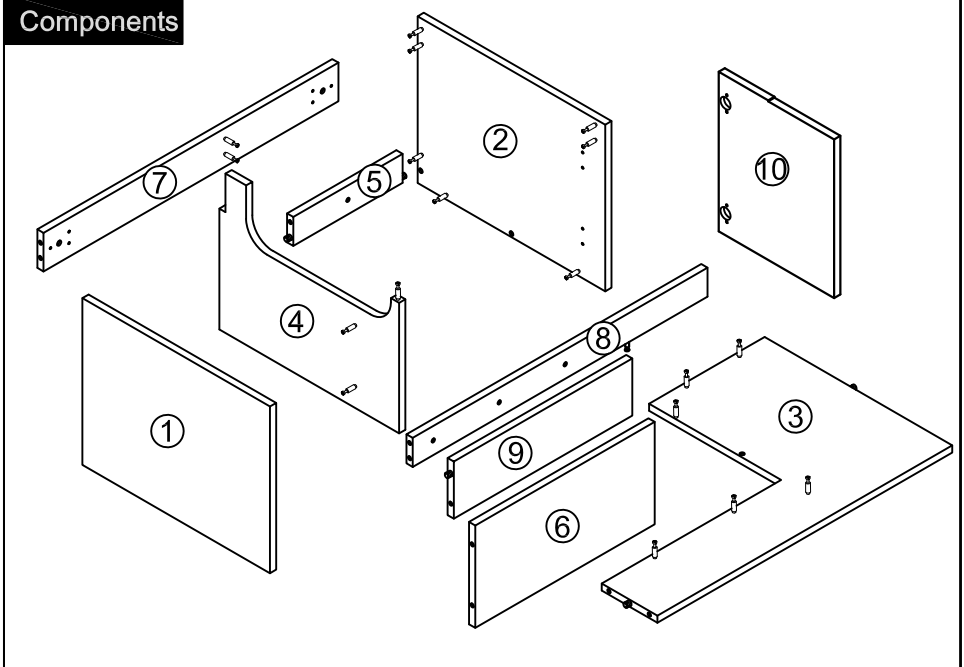
Dimensions



Finished



Components



Step 1

Note: The D parts are used for this hole.

Attention: Cam lock arrow point to the steel rod.

Notes: Screw installation depth as shown

- 1
- B x1
- C x1
- D x1
- M

Step 2

Notes: Screw installation depth as shown

first step second step third step

- 2
- B x2
- C x2
- M

Step 11

(Ø4 x 14mm)

12
- A x2
- I x1
- J x1
- L x2
- Tool

You can adjust the doors by tightening or loosening the screws on the hinge.

Step 12

Notes: Screw installation depth as shown

Tool Tool

Notes: Screw installation depth as shown

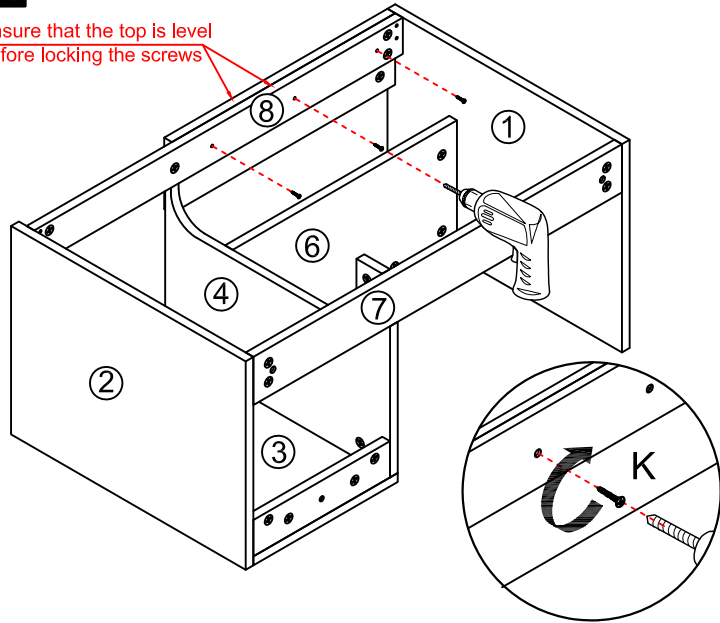
Step 13



Notes: Screw installation depth as shown

- 3
- E
- Tool

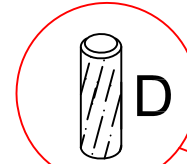
Step 9

Ensure that the top is level before locking the screws

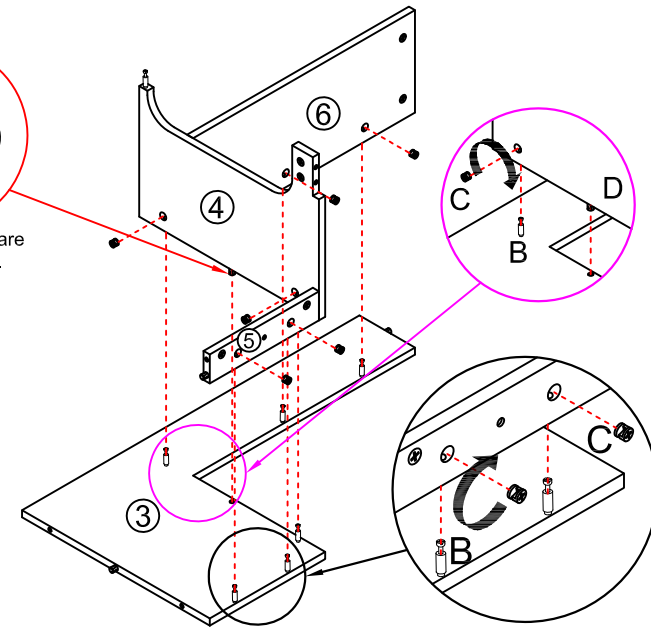


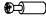



- (∅4 x 25mm)
-  x3
- K
-  Tool

Step 3

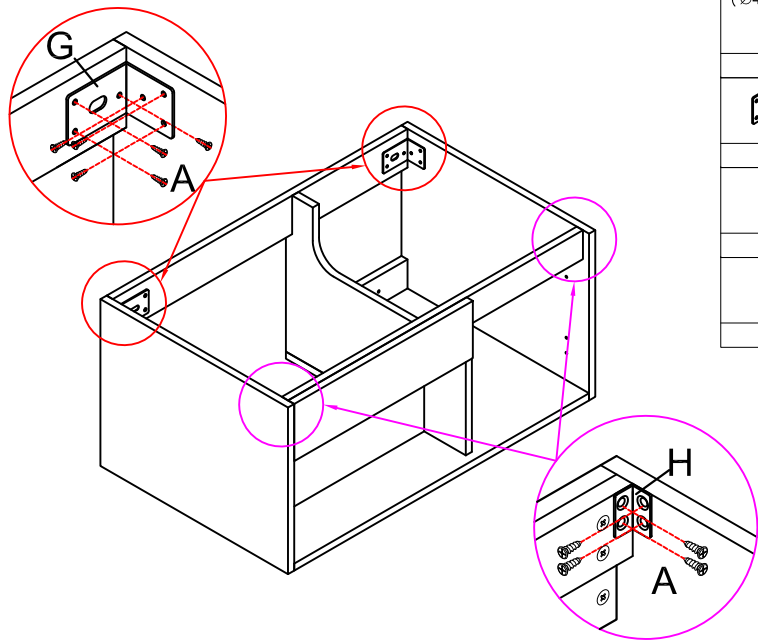






Note: The D parts are used for this hole.



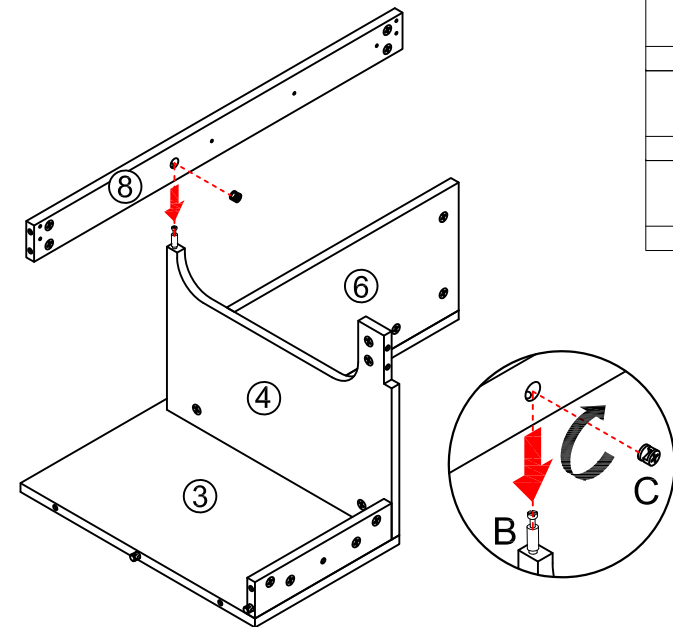
-  x6
- B
-  x6
- C
-  x1
- D
-  Tool
- M

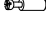


Step 10



- (∅4 x 14mm)
-  x20
- A
-  x2
- G
-  x2
- H
-  Tool

Step 4



-  x1
- B
-  x1
- C
-  Tool
- M

