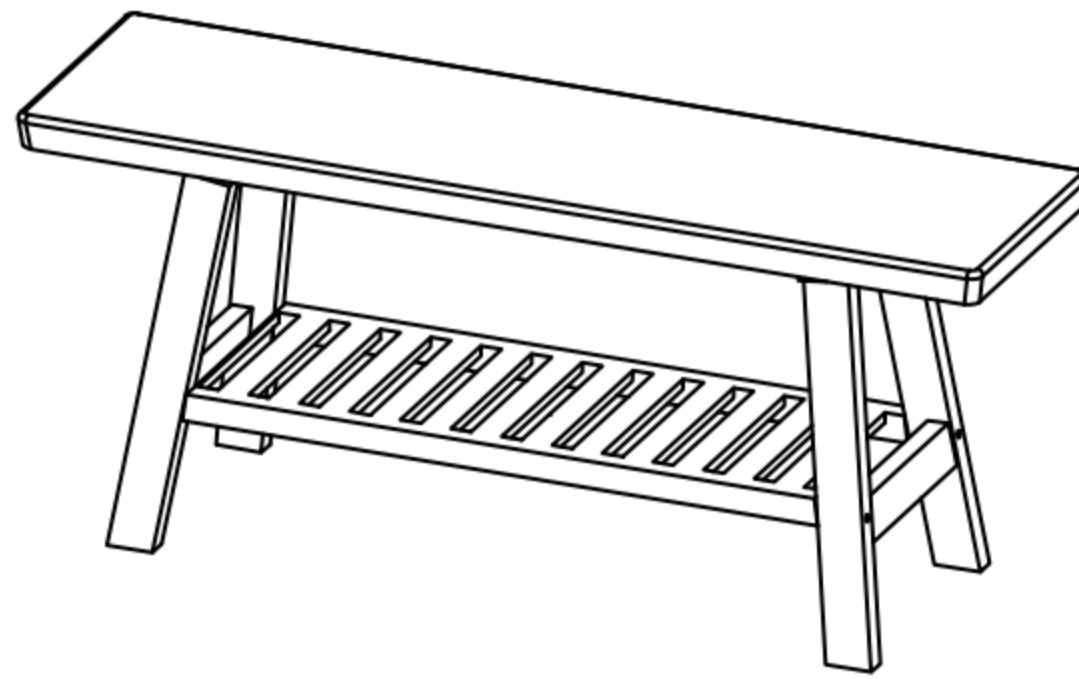


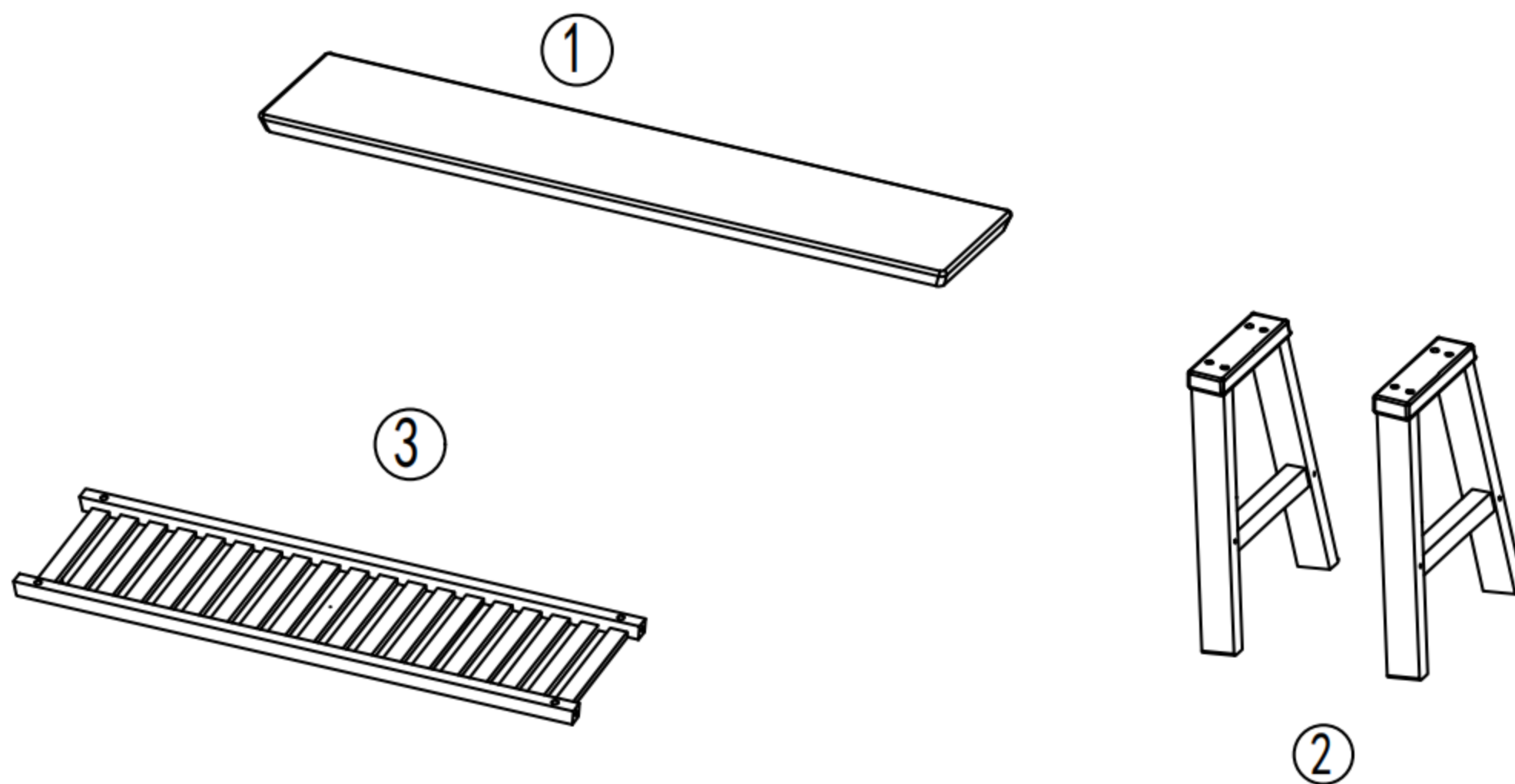
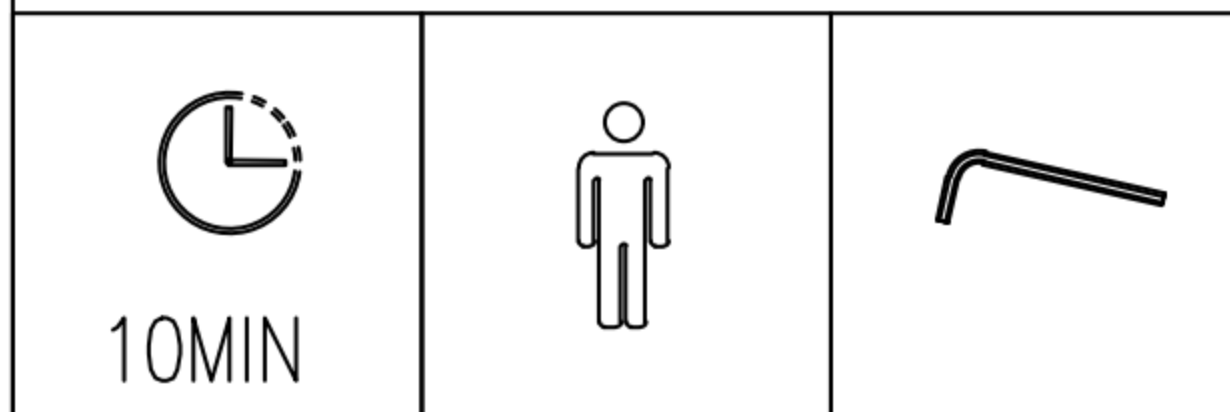
ASSEMBLY INSTRUCTIONS







Caution : Please check whether the bolts are loose every 3-6 months and tighten the bolts .



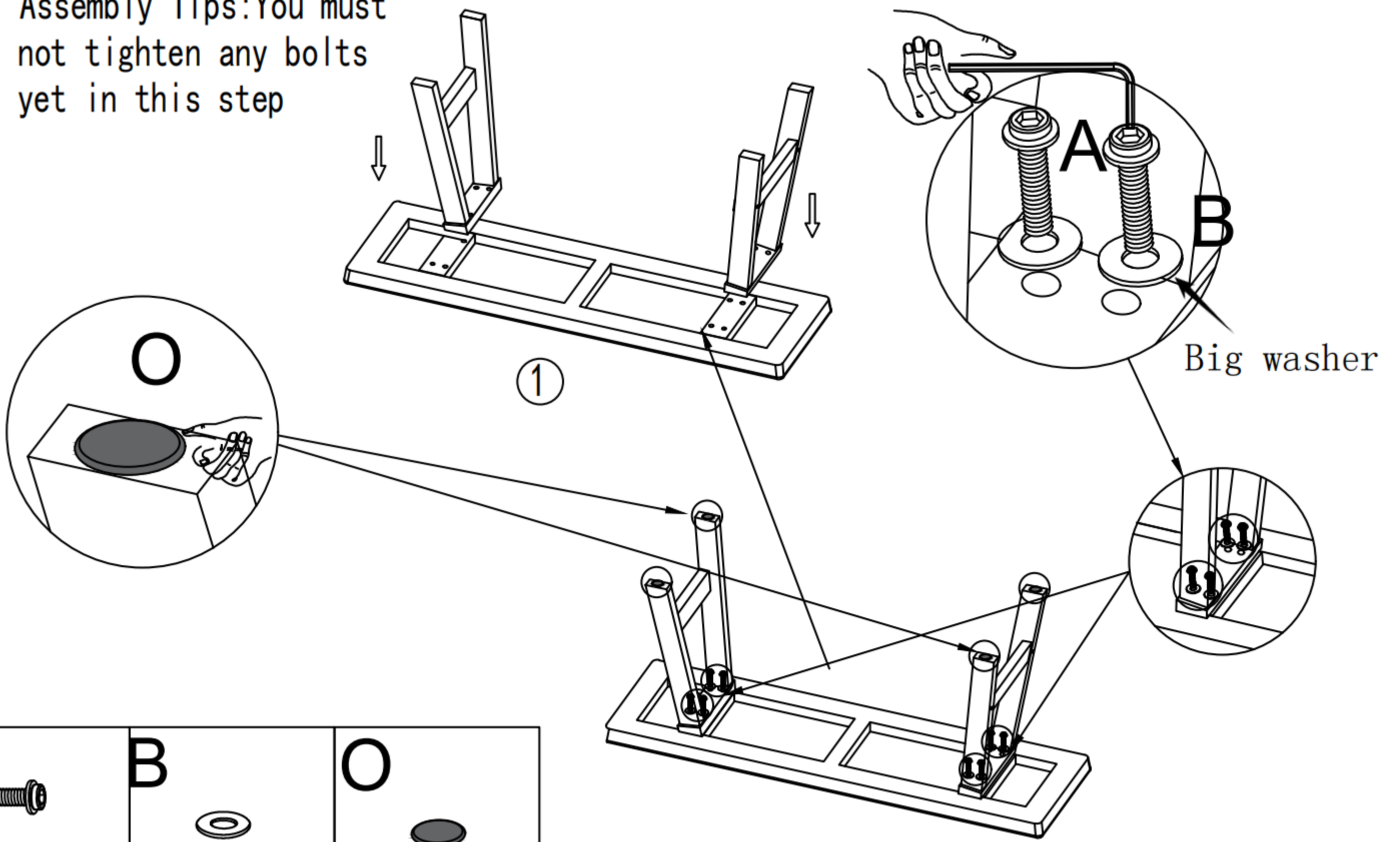
If there is any missing, please kindly send us messages to let us know the name of missing part regarding to the first page of instructions. We will send replacement to you asap. We are concerned about each customer's experience, if there is any loss or damage, please contact us at any time, we will provide effective solutions.




Please attach your Order ID so that we can assist you better.



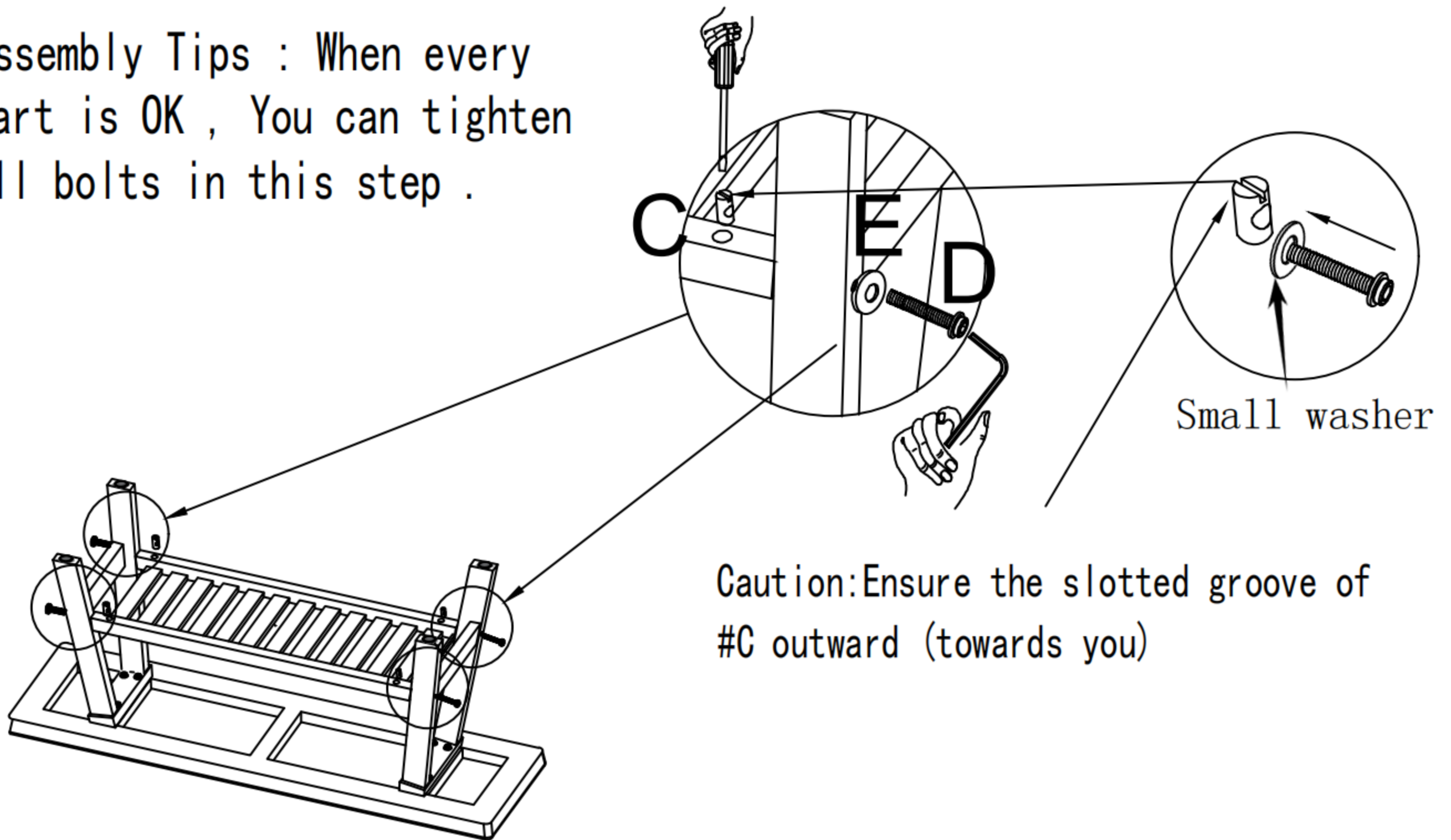
A  Ø6*40mm x8+1	B  x8+1	C  Ø6*15mm x4+1	D  Ø6*70mm x4+1	E  x4+1	O  x4+2
--	---	--	---	---	---

1 Assembly Tips: You must not tighten any bolts yet in this step






<p>A</p>  <p>Ø6*40mm x8</p>	<p>B</p>  <p>x8</p>	<p>O</p>  <p>x4</p>
---	---	---

2 Assembly Tips : When every part is OK , You can tighten all bolts in this step .



Caution: Ensure the slotted groove of #C outward (towards you)

<p>C</p>  <p>Ø6*15mm x4</p>	<p>D</p>  <p>Ø6*70mm x4</p>	<p>E</p>  <p>x4</p>
---	---	---