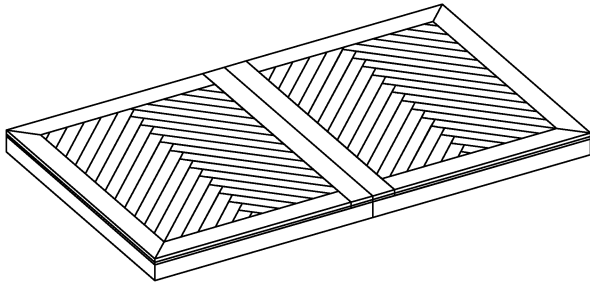


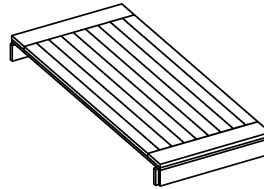
# EXTENSION TABLE ASSEMBLY INSTRUCTIONS

## PARTS PACKING CONFIGURATIONS

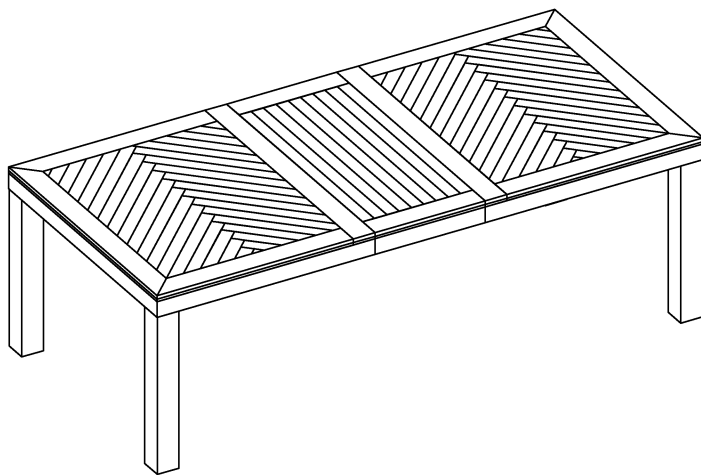
**A. TABLE TOP 1PC**







**B. EXTENSION LEAF 1PC**



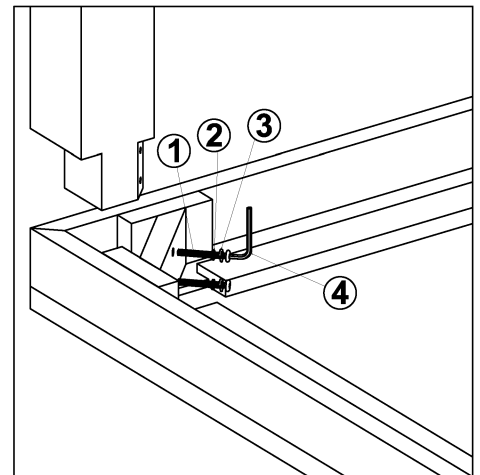
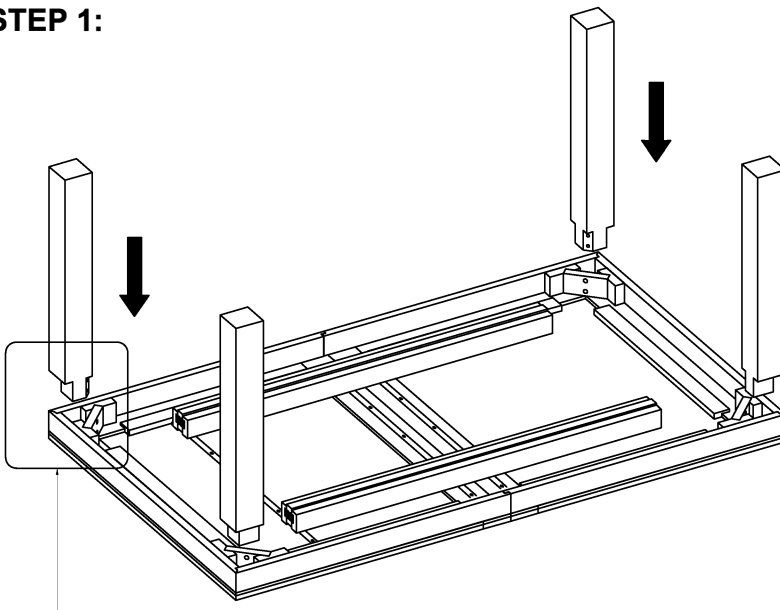
**C. LEGS 4PCS**



### HARDWARE LIST:

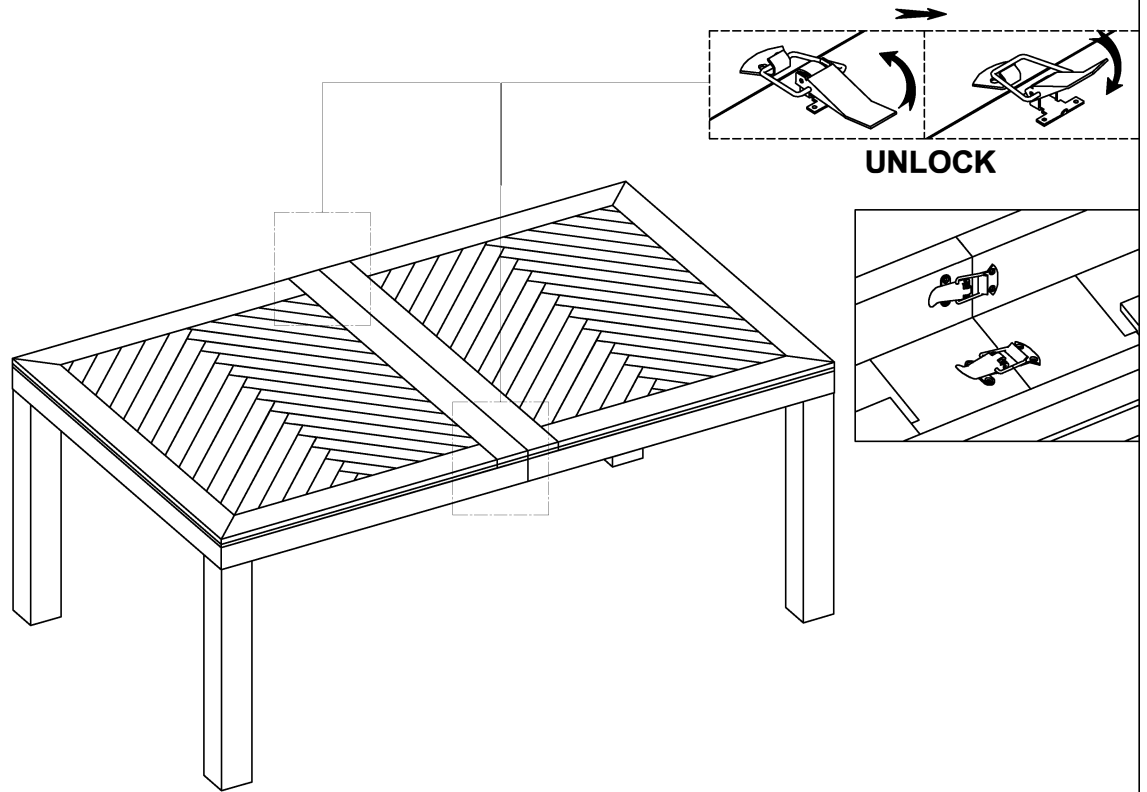
No.	Description	Photo	Quantity
<b>1</b>	ALLEN BOLT (M6 x 60)		08 PCS
<b>2</b>	FLAT WASHERS (M8)		08 PCS
<b>3</b>	SPRING WASHERS (M8)		08 PCS
<b>4</b>	ALLEN KEY (M4)		1 PC

**STEP 1:**

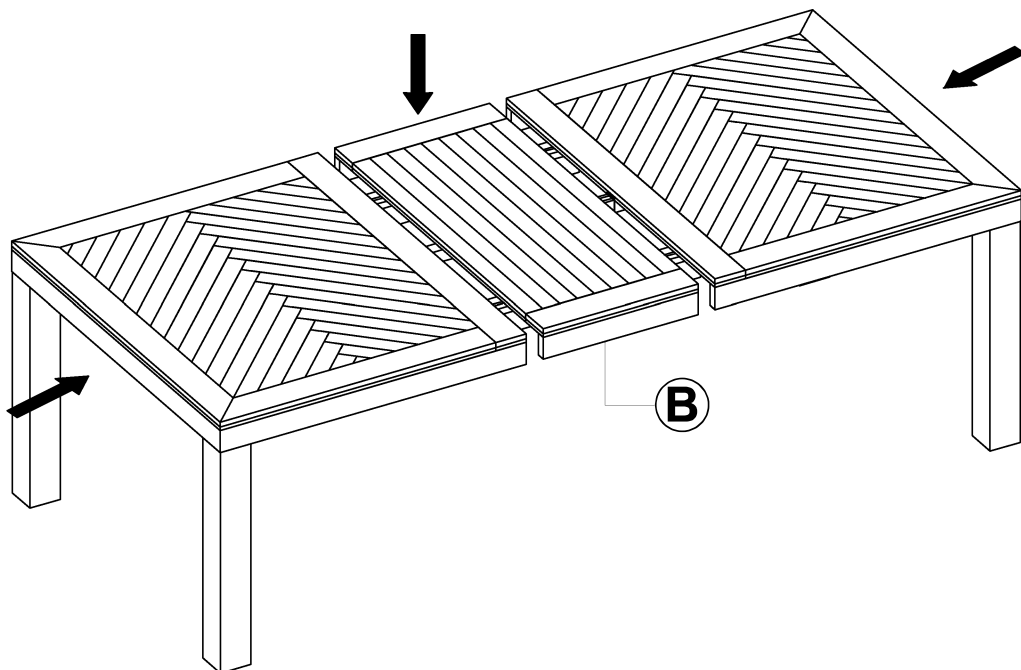


# EXTENSION TABLE ASSEMBLY INSTRUCTIONS

**STEP 2:**

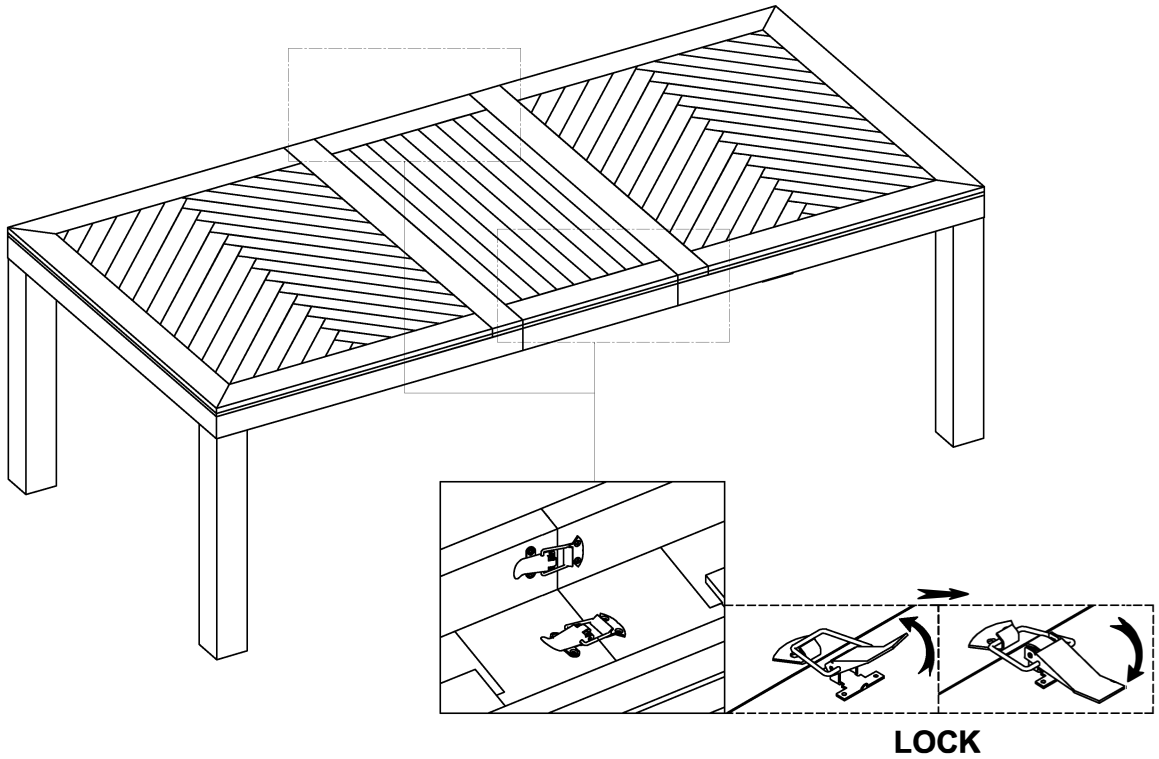


**STEP 3:**



# EXTENSION TABLE ASSEMBLY INSTRUCTIONS

**STEP 4:**



HERRINGBONE DINING TABLE FULLY ASSEMBLED :

