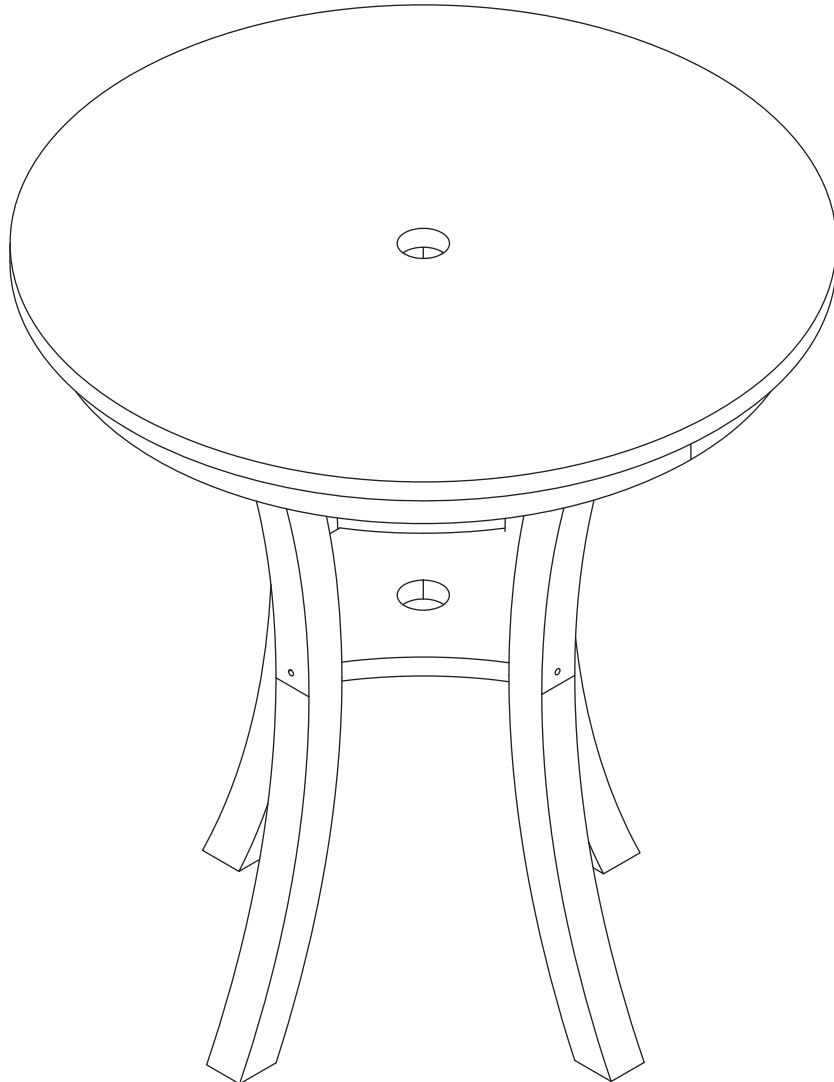


# Assembly Instruction

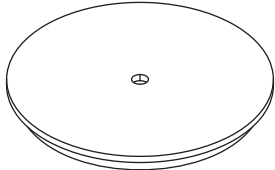
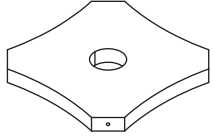



## PRE-ASSEMBLY PREPARATION

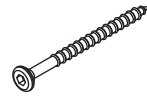
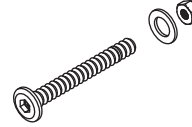
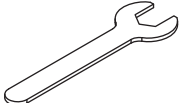
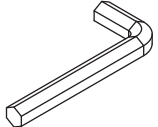
**WARNING!** DO NOT LET CHILDREN PLAY IN OR AROUND THE UNIT DUE TO THE POSSIBLE RISK OF FINGER ENTRAPMENT

- Please read through this instruction before beginning assembly.
- Two adults assembly is recommended.
- Clear out the space for assembly and lay out all parts base on Parts List, extra room will allow you to easily determine if all the pieces are present.
- Save all packing materials until assembly is complete to avoid accidentally discarding smaller parts or hardware.
- Keep small parts and pieces away from children until fully assembly.
- **Do not fully tighten the bolts until all have been inserted and hand tightened.**
- Please check for any loose screws and tighten them before use.

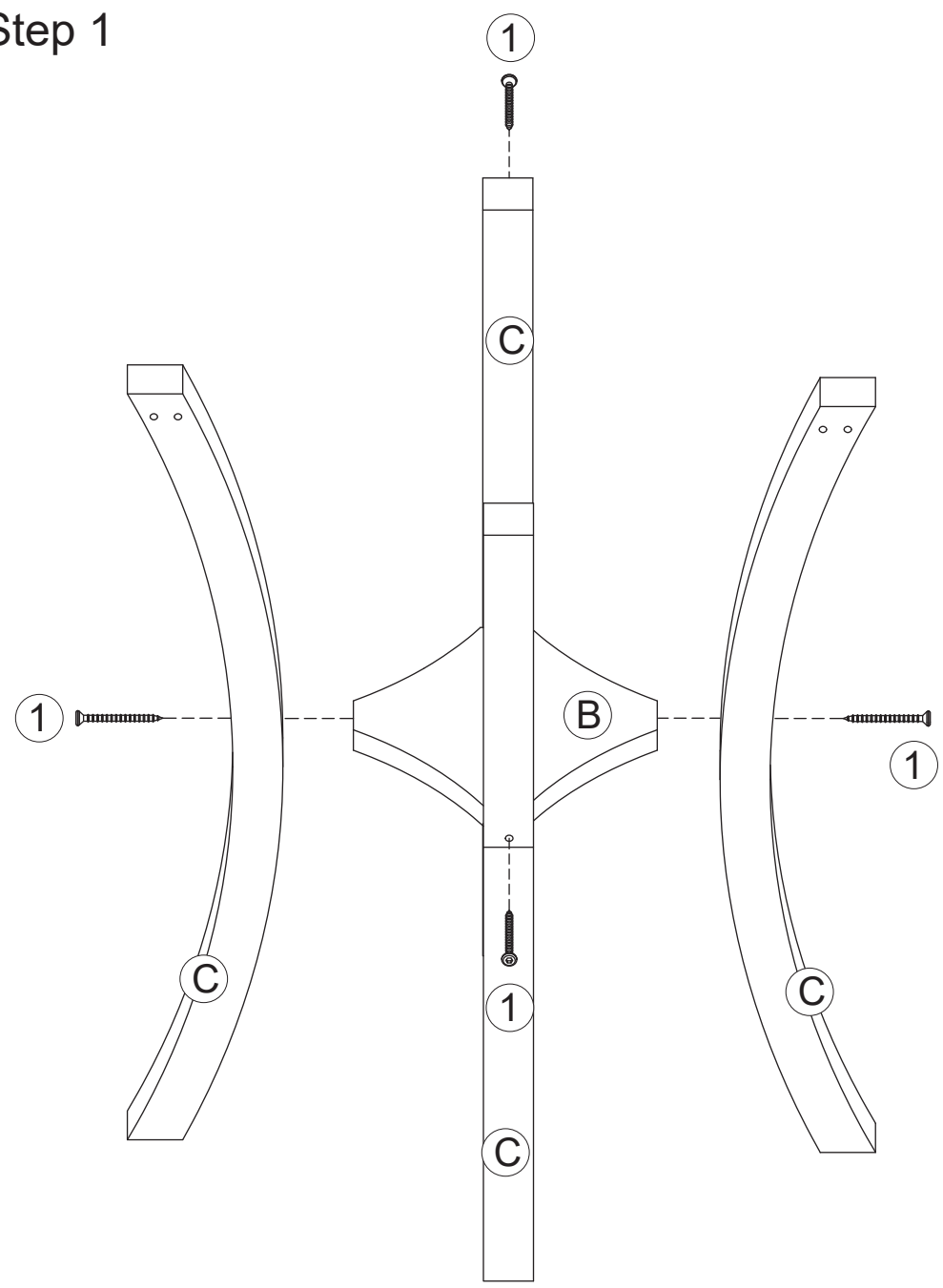
## PANEL AND FITTINGS IDENTIFICATION

<p>(A)</p>  <p>Qty: 1</p>	<p>(B)</p>  <p>Qty: 1</p>	<p>(C)</p>  <p>Qty: 4</p>
--	--	--

## HARDWARE LIST

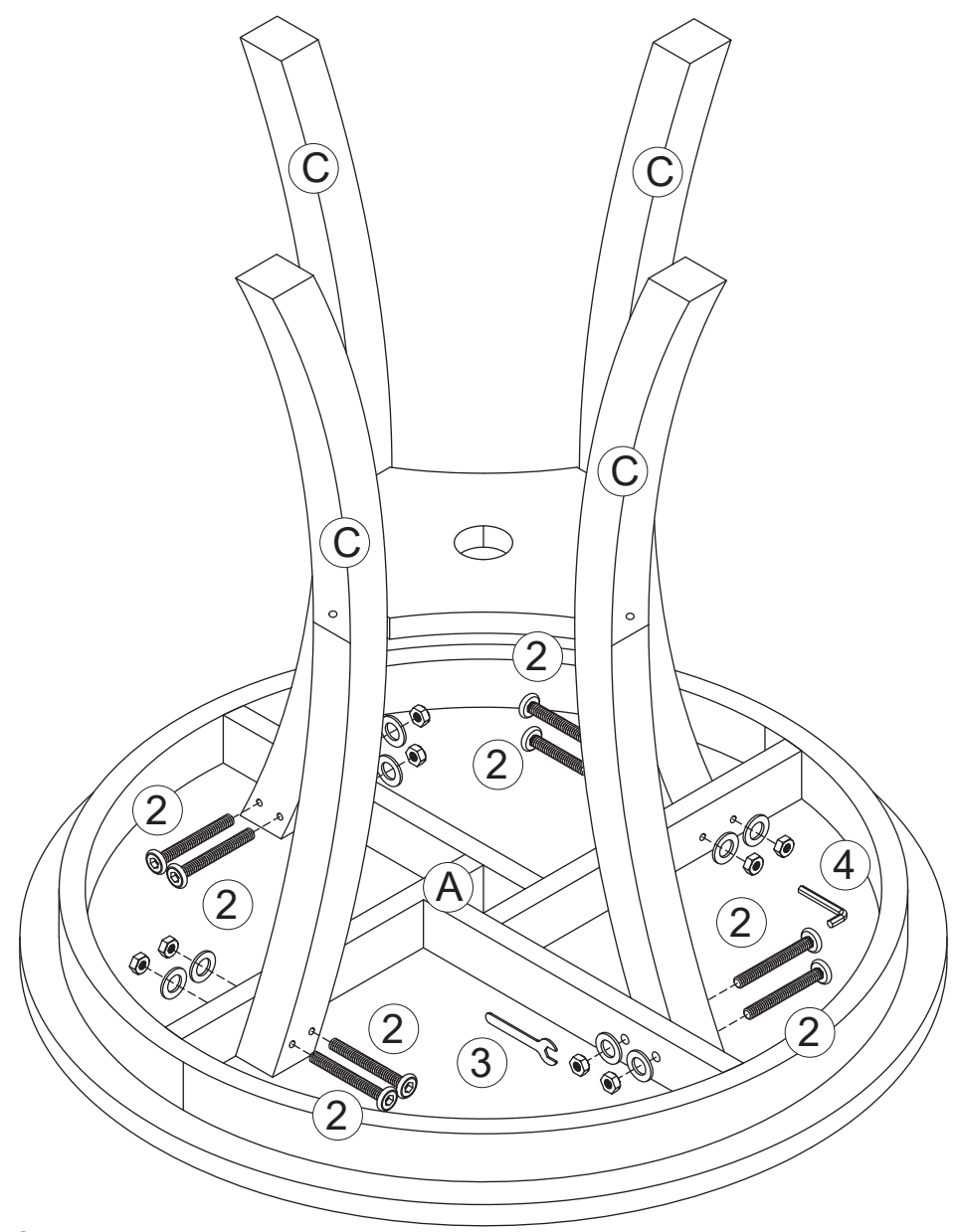
<p>Screw (1)</p>  <p>M6 x 100mm Qty: 4</p>	<p>Bolt (2)</p>  <p>M6 x 70mm Qty: 8</p>	<p>Open End Wrench (3 )</p>  <p>Qty: 1</p>	<p>Allen Wrench (4)</p>  <p>Qty: 1</p>
---	---	---	---

# Step 1



C=4PCS  
 B=1PC  
 1=4PCS

# Step 2



A=1PC  
 2=8PCS  
 3=1PC  
 4=1PC