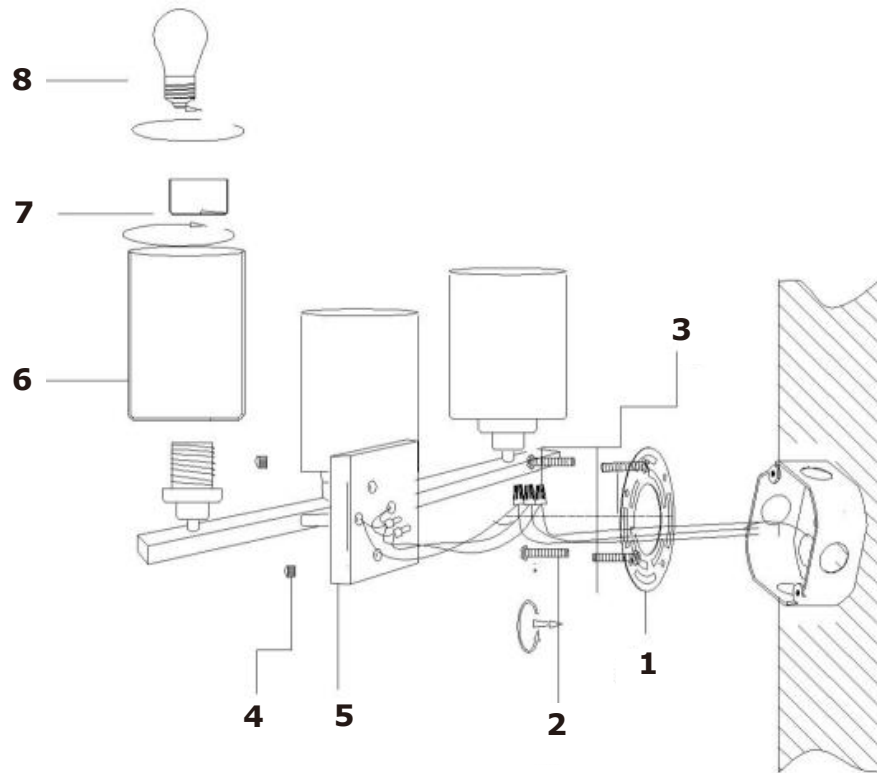


USER'S MANUAL

3 Light Bathroom Vanity Light

THIS INSTRUCTION BOOKLET CONTAINS **IMPORTANT** SAFETY INFORMATION. PLEASE READ AND KEEP FOR FUTURE REFERENCE.

ASSEMBLY INSTRUCTION



Installation Instructions for Model#EP24544US

Please turn off power to the outlet and review instructions before installation. The installation must be handled by a qualified licensed electrician. Also, be sure to turn off power before changing the bulb or cleaning the fixture.

1. Attach the mounting plate(1) to the wall by using the screw(2)
2. Connect the wire by using the wire connector (3).
(Note: Connect the black wire to the black (Hot), the white wire to the white(Neutral), and the ground wire to the ground post.).
3. Install the base(5) to the mounting plate (1) by using nut (4).
4. Lock the glass shade (6) to the lamp holder and fix it by using the socket ring (7).
5. Insert the bulb (8).