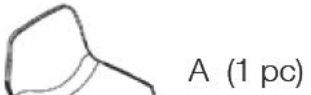


Assembly Instructions

Bar Stool



A (1 pc)



B (1 pc)



C (1 pc)



D (1 pc)



E (4 pcs)



F (4 pcs)



G (3 pcs)
M8-1.25 x 25



H (2 pcs)
M6-1 x 35



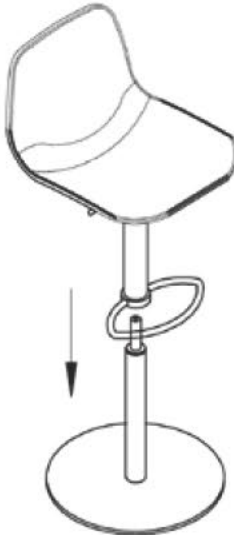
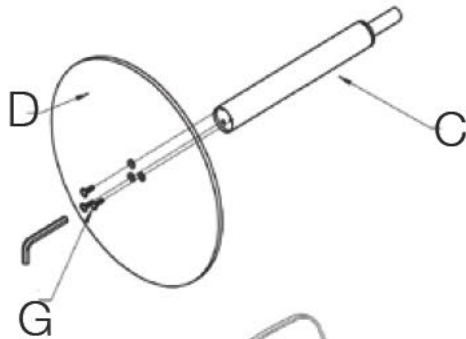
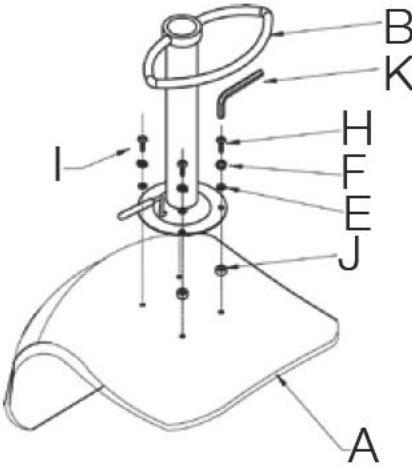
I (2 pcs)
M6-1 x 20



J (2 pcs)



K (1 pc)



During assembly, hand tighten screws only. When all screws are in place, then tighten completely.