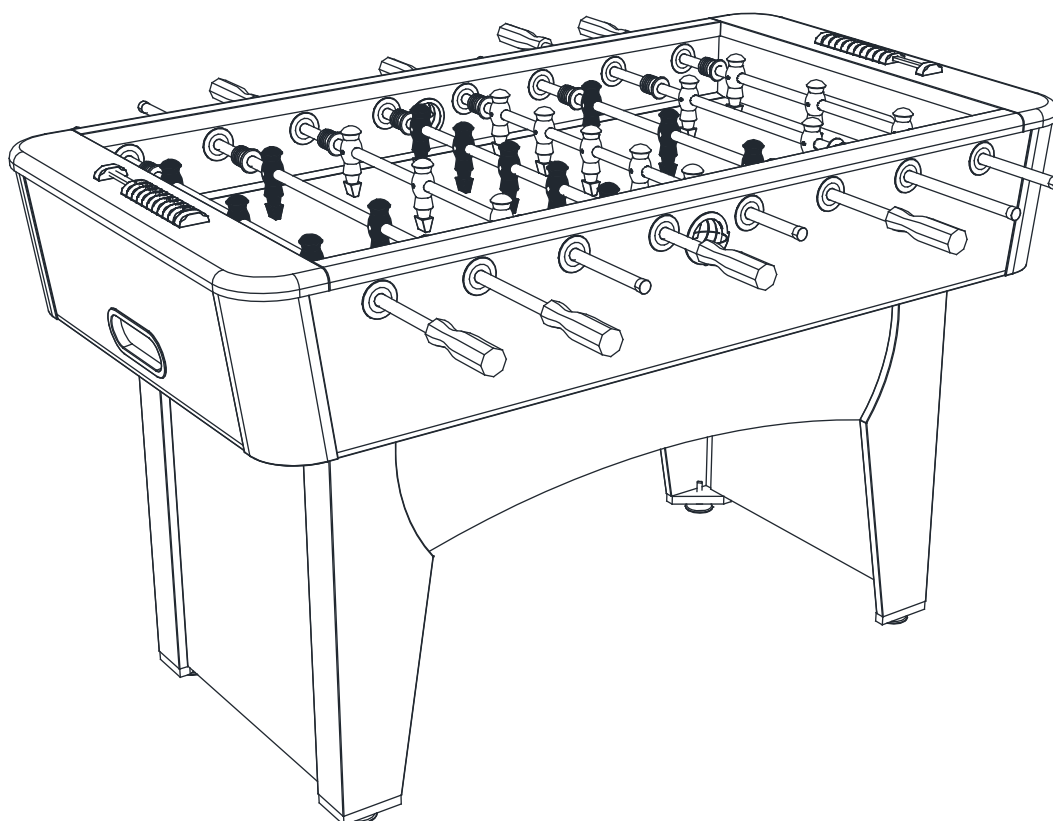




Astro Foosball Table Assembly Instruction





Congratulations!

We hope you will have many hours of enjoyable use with your new Jensen Air Hockey Table!



Warning
Adult Assembly Required
Asamblea de adultos de advertencia necesaria



PLEASE KEEP YOUR INSTRUCTIONS!

- Your Model number is necessary should you need to contact us.
- Please read through this instruction book to familiarize yourself with all the parts and assembly steps.
- Refer to the Parts Identifier and verify that all parts have been included.



WARNING!

This is not a child's toy. Adult supervision is required for children playing this game. Please read instructions carefully. Proper use of this set can avoid damage or injury.



BEFORE ASSEMBLY:

- Did you receive 1 box?
- Did you inspect your playfield/main table frame before assembly? It is not replaceable and must be returned to the original place of purchase if damaged.



TOOLS REQUIRED FOR ASSEMBLY:

- Phillips and Slotted Head Screwdrivers /or Power Driver (not included)
- Allen Wrench (included)

ASSEMBLY INSTRUCTIONS:

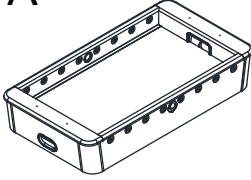


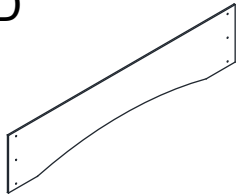
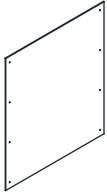
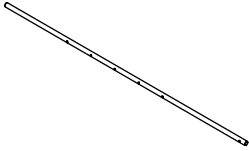
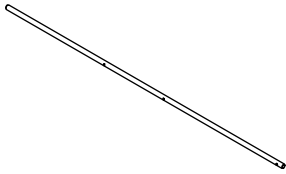
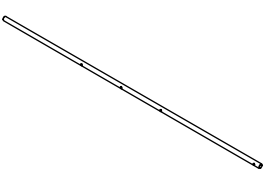


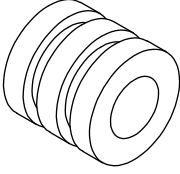
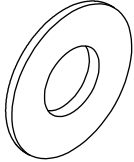
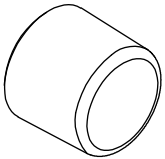
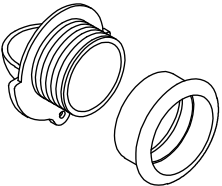
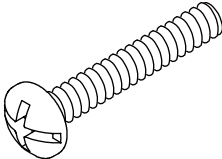
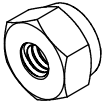
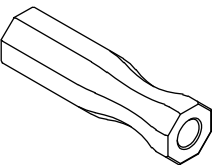

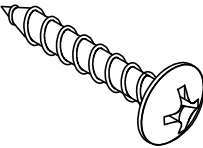
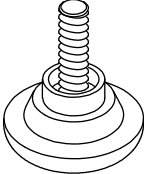
We recommend that two adults work together to assemble this table.

- The table will be assembled upside down This is a very heavy table and turning it right side up will require at least two strong adults.
- We suggest that you use the bottom carton as a clean flat work area to protect the top of your Air hockey table while assembling.



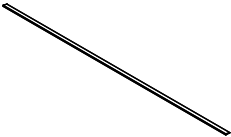
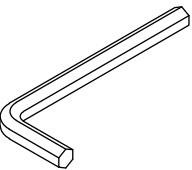
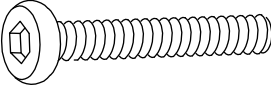
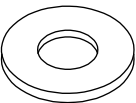
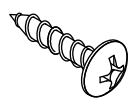
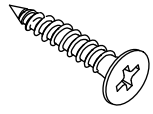
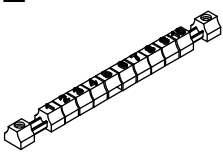
Astro Foosball Table Assembly Instruction

Parts List

<p>A</p>  <p>Main Frame x1</p>	<p>B</p>  <p>Left Leg x2</p>	<p>C</p>  <p>Right Leg x2</p>	<p>D</p>  <p>Leg Connector x2</p>
<p>E</p>  <p>Leg Panel x2</p>	<p>1</p>  <p>Player Rod-5 x2</p>	<p>2</p>  <p>Player Rod-2 x2</p>	<p>3</p>  <p>Player Rod-3 x4</p>
<p>4</p>  <p>Player-Black x13</p>	<p>5</p>  <p>Player-Gray x13</p>	<p>6</p>  <p>Bumper-Rubber x16</p>	<p>7</p>  <p>Washer Ø36mm x16</p>
<p>8</p>  <p>Player Rod Cap x8</p>	<p>9</p>  <p>Ball-Entry Cup-Outside x2</p>	<p>10</p>  <p>Bolt Ø5/32"x1-1/8" x26</p>	<p>11</p>  <p>Nut Ø5/32"x9x6mm x26</p>
<p>12</p>  <p>Handle x8</p>	<p>13</p>  <p>Football x4</p>	<p>14</p>  <p>Screw 8#x5/8" x2</p>	<p>15</p>  <p>Leg Leveler Ø5/16" x4</p>

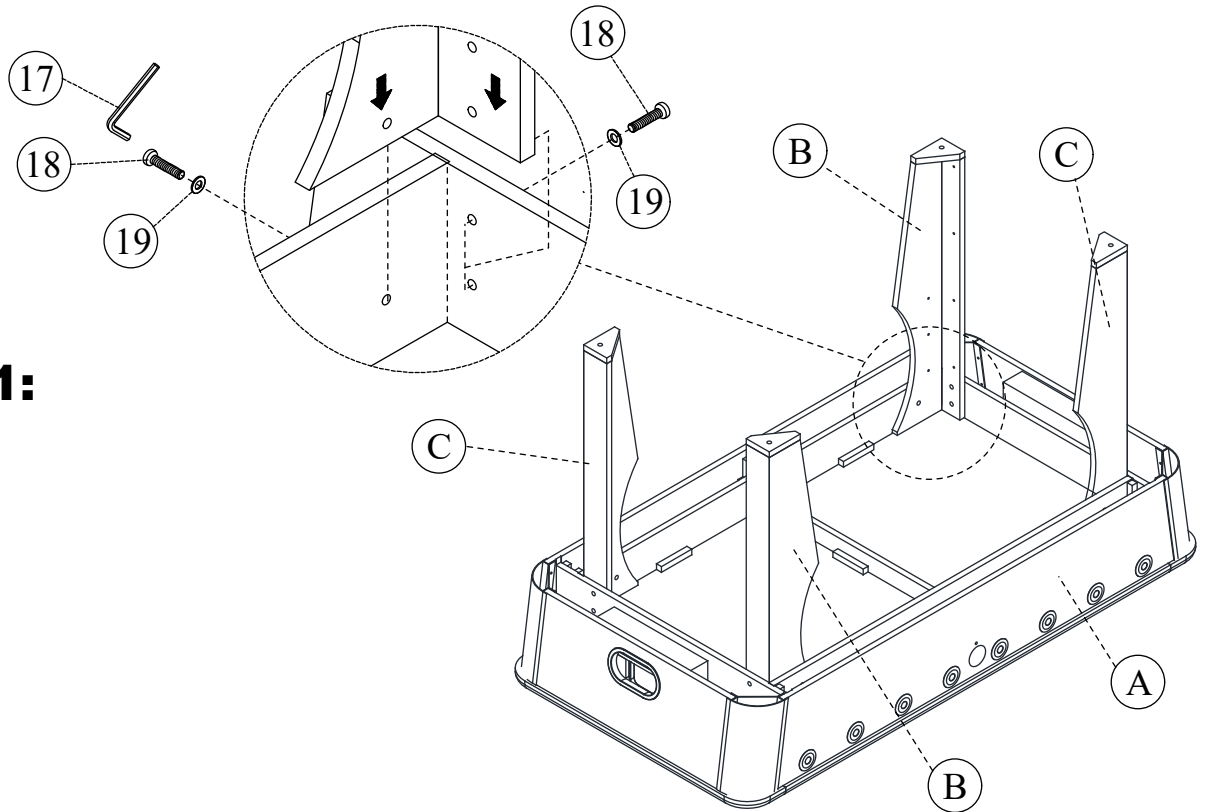


Astro Foosball Table Assembly Instruction

<p>16</p>  <p>Playfield Trim x2</p>	<p>17</p>  <p>Allen Wrench 4mm x1</p>	<p>18</p>  <p>Bolt Ø5/16"x1-1/2" x12</p>	<p>19</p>  <p>Washer Ø5/16"xØ19mm x12</p>
<p>20</p>  <p>T4 x15mm Screw x28</p>	<p>21</p>  <p>#8X1-1/4" Screw x4</p>	<p>22</p>  <p>Slide Scorer x2</p>	

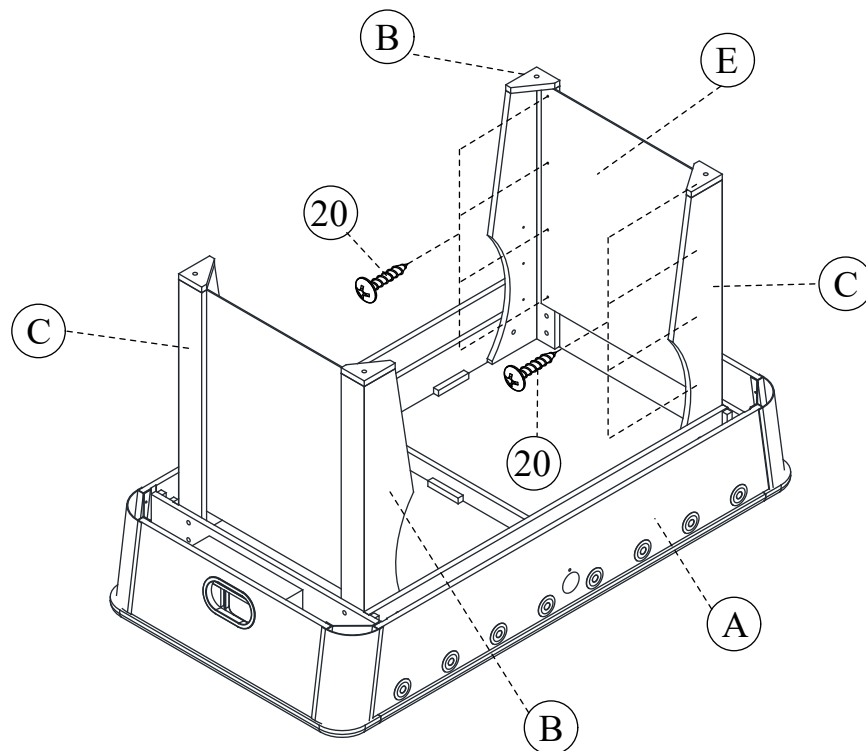


Astro Foosball Table Assembly Instruction



Step 1:

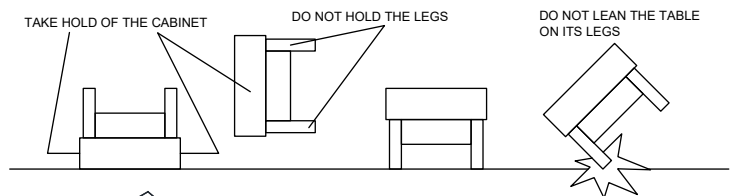
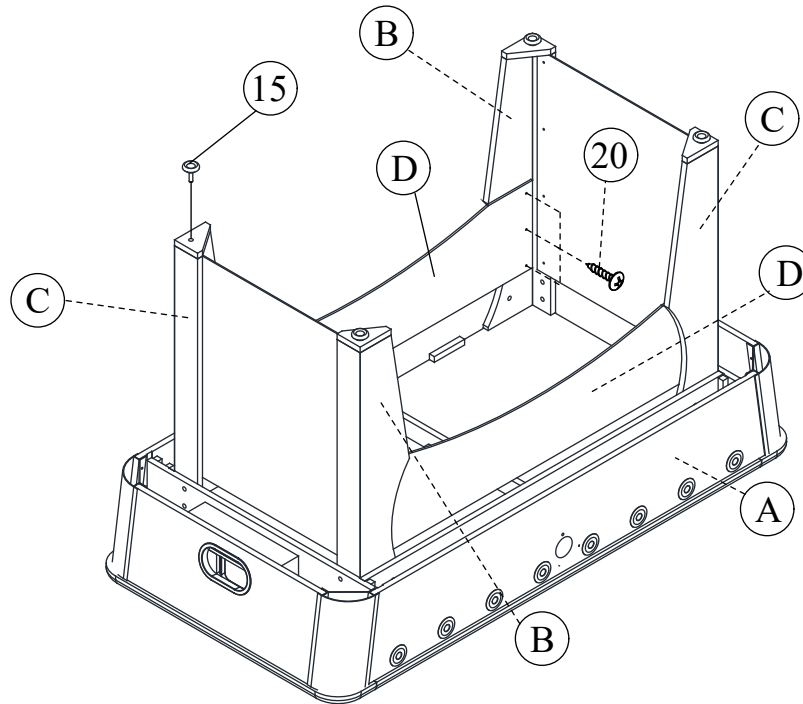
Step 2:



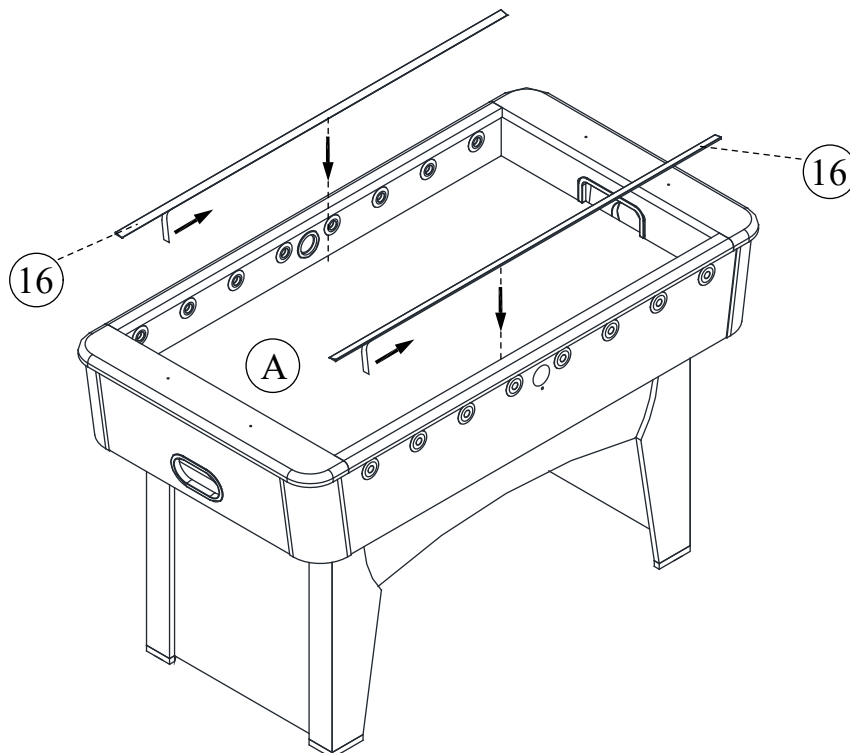


Astro Foosball Table Assembly Instruction

Step 3:



Step 4:





Astro Foosball Table Assembly Instruction

Step 5:

Note: set the rods into the right position according to the artwork.

The players of each team should be right-side up, facing their opponent's goal, follow the diagram below for proper rod placement

Slide one end of the player rods (#1, #2, #3) through the main cabinet according to the diagram below to identify where the two, three, and five player rods go in the cabinet.

Player rod assembly:

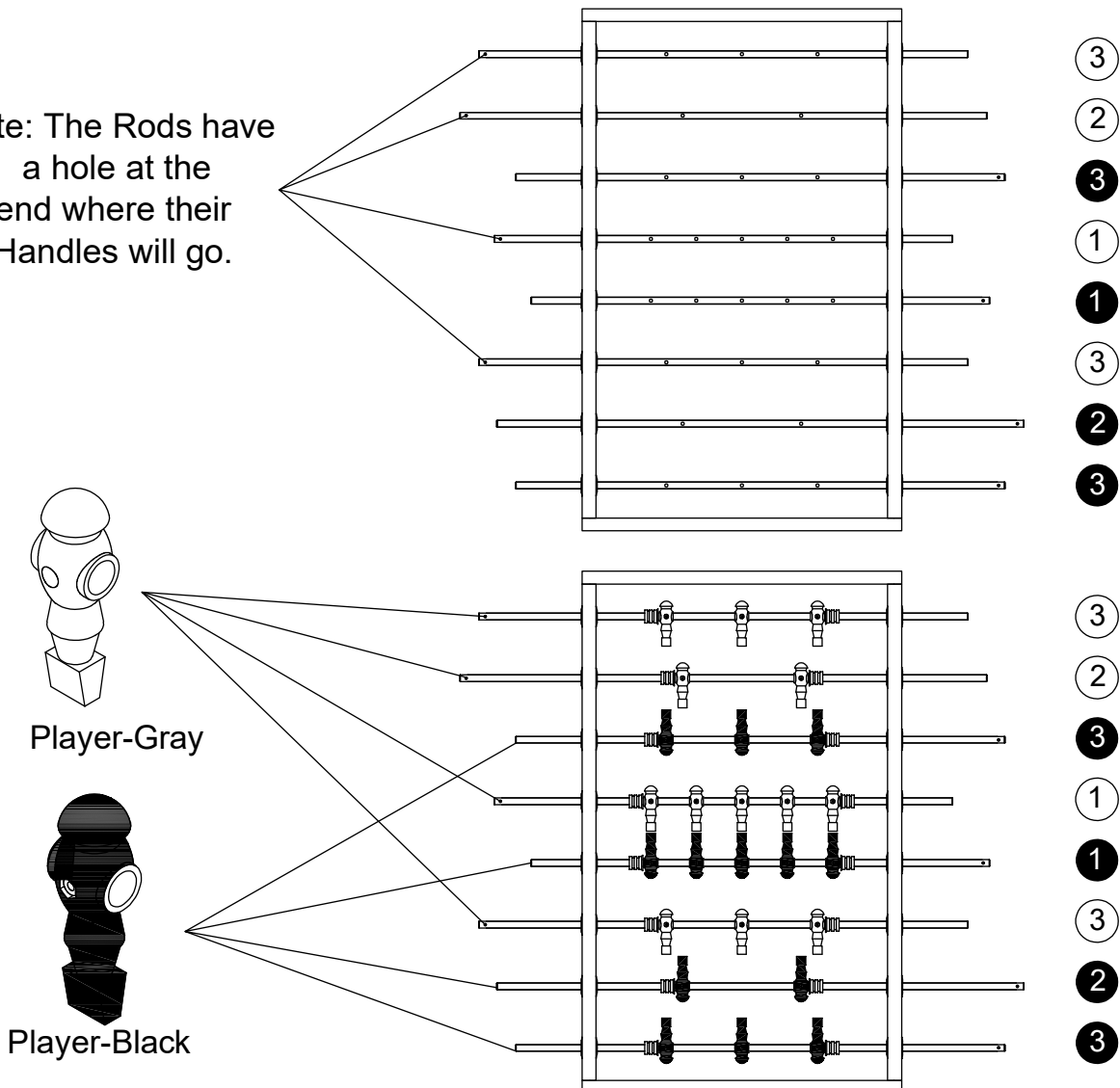
Place one #6 bumper & one #7 washer on the rod

Place the appropriate number of Attach #4 and #5 players to the rod #1 and #2rod #3.

Using #10 bolt and #11 nut Place one #7 washer & one #6 bumper on the other end of rod. Slide the rods through the other end of the cabinet

Repeat the process for each rod

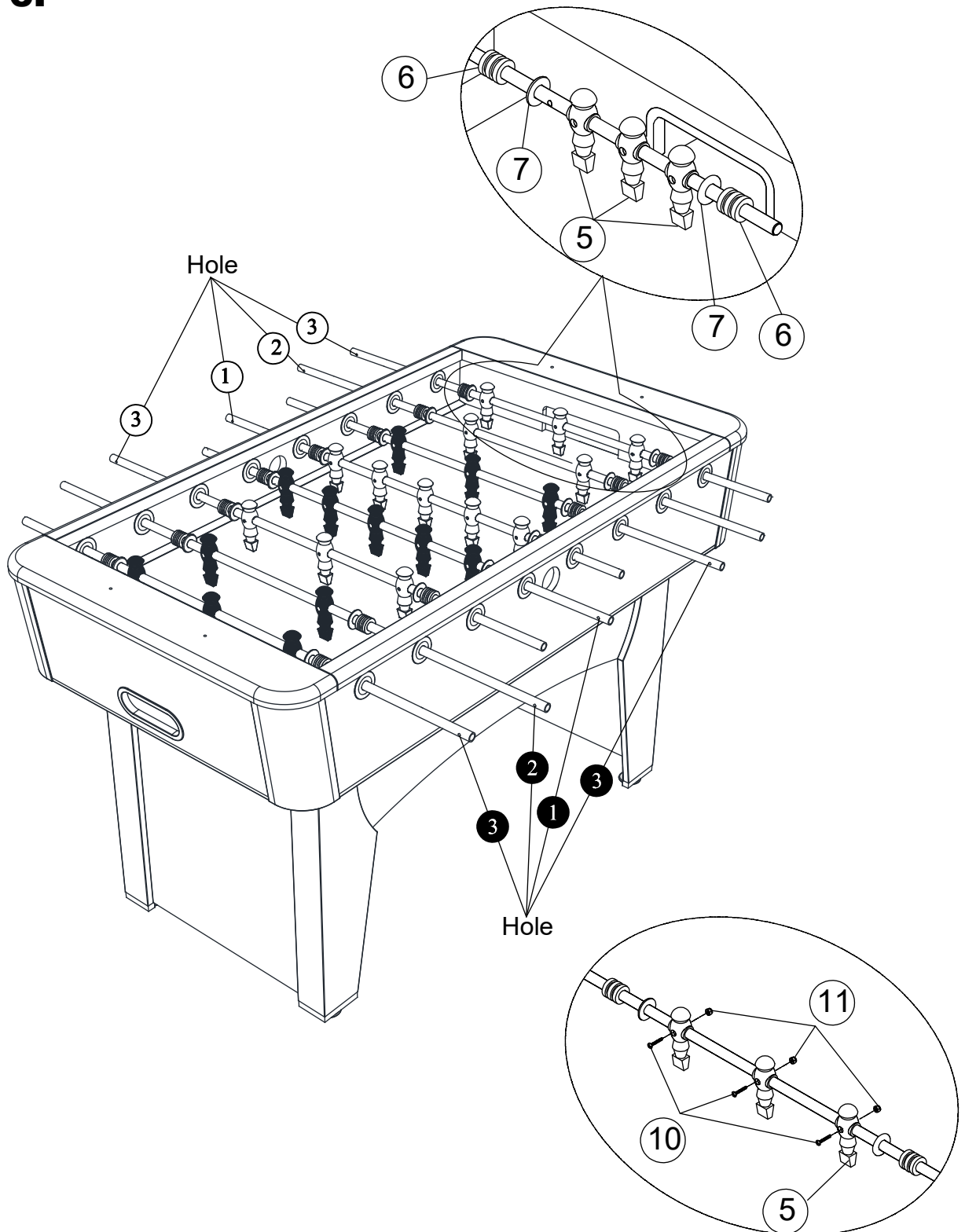
Note: The Rods have a hole at the end where their Handles will go.





Astro Foosball Table Assembly Instruction

Step 6:





Astro Foosball Table Assembly Instruction

Step 7:

